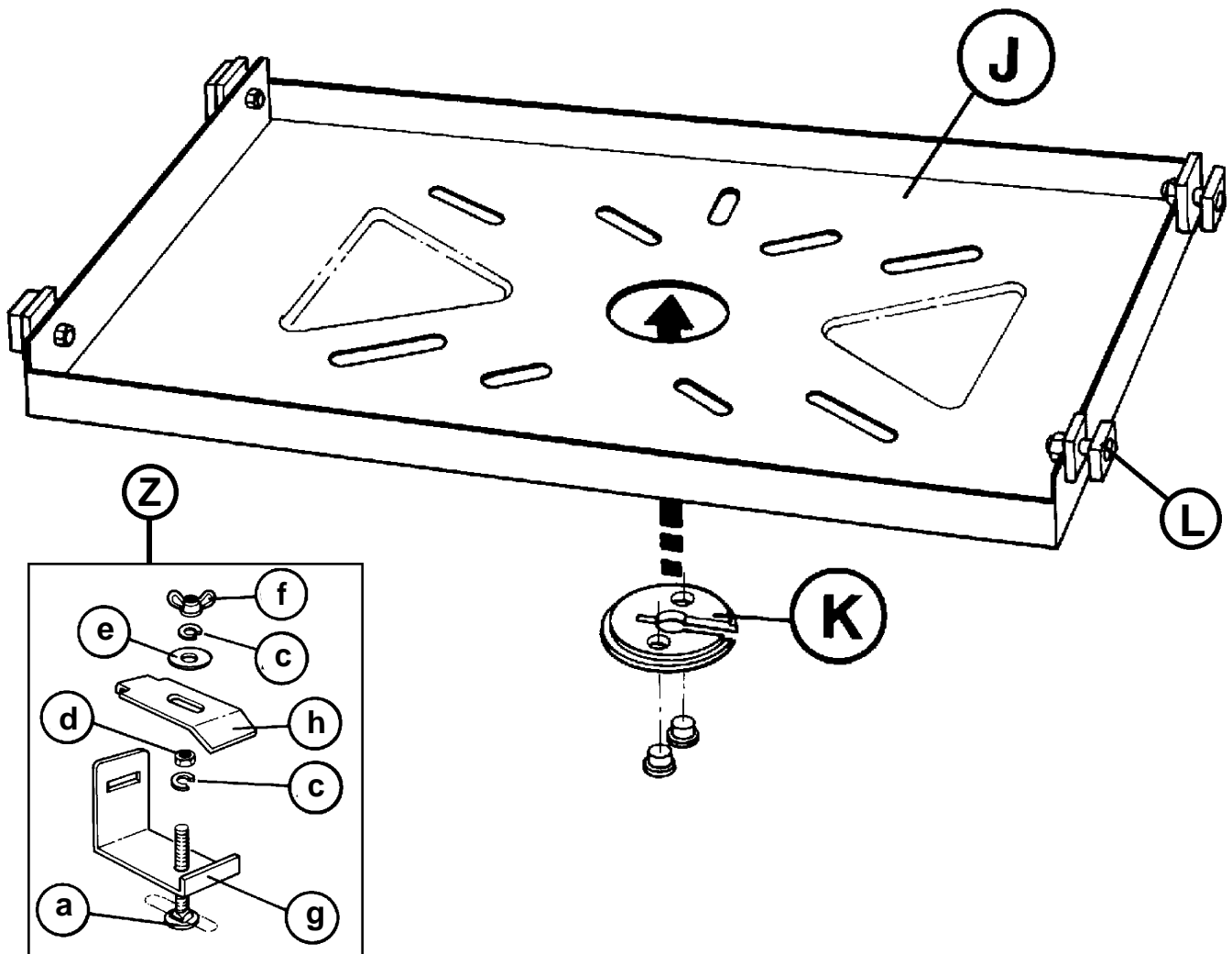


Router & Jigsaw Mouting Plate - AJA150

For Workcentre overhead routing or additional mounting plate for Router Table RTA200



J	RTA017	Router Slide Plate	1	
K	RTA067	Router Alignment Disc	1	Includes 1/4" & 3/8" bushes
L	WCA101	Bearings	4	Includes bolts & nuts
Z	RTA027	Clamping Brackets Set	4	Includes bolts, nuts & washers

FASTENERS NOT SUPPLIED SEPARATELY

a	M6 x 40mm coach bolt	4
c	1/4" spring washer	8
d	1/4" hex nut	4
e	1/4" x 3/4" washer	4
f	M6 wing nut	4
g	Locator Bracket	4
h	Top Clamp	4

Specifications:

Packed weight: 1.97kg

Dimensions: 430 x 235 x 50mm

Volume: 0.005m³

Paint: Epoxy powder coat (oven cured) **Mounting Plate:** Charcoal Grey