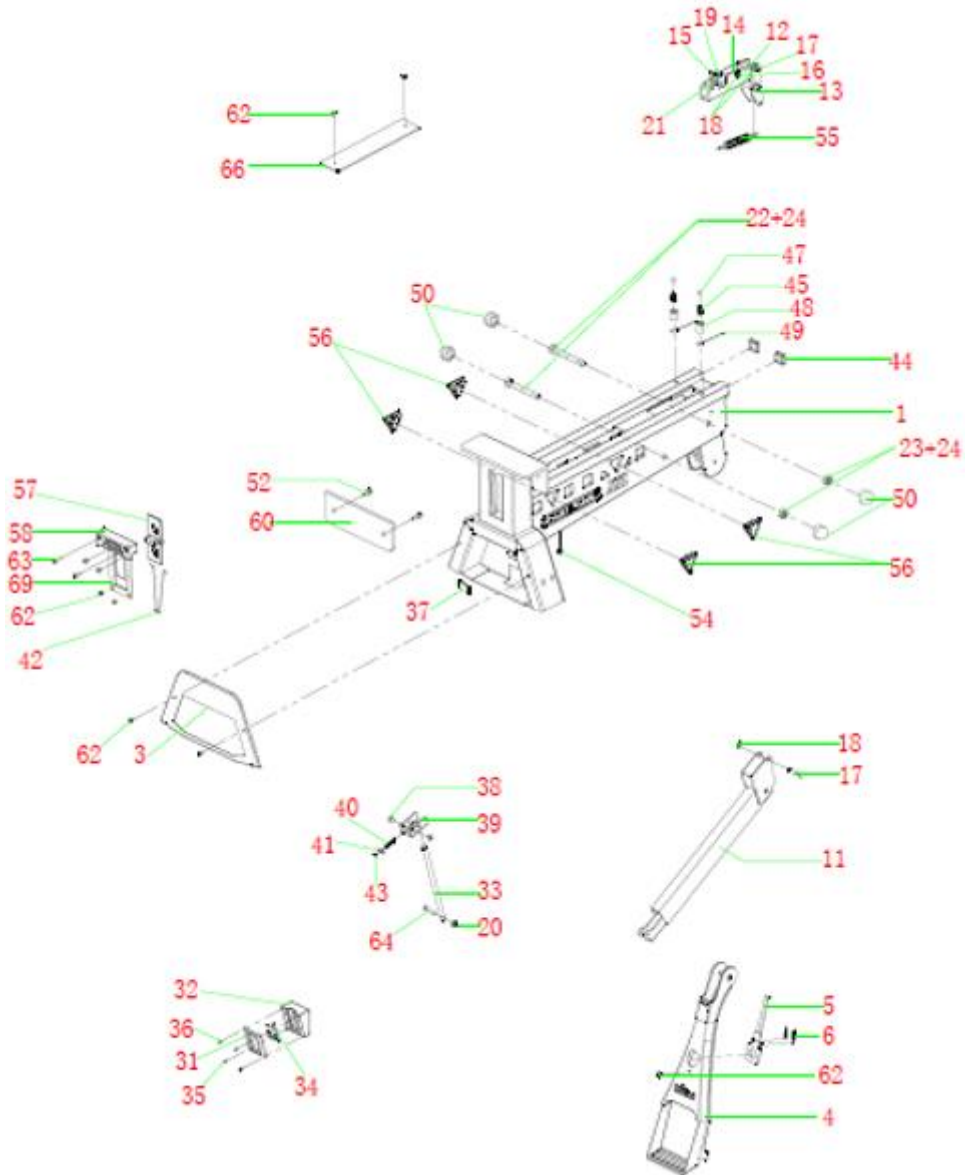
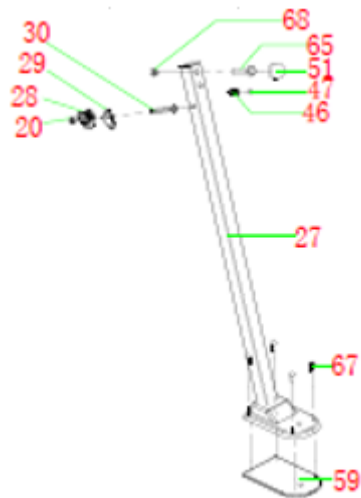
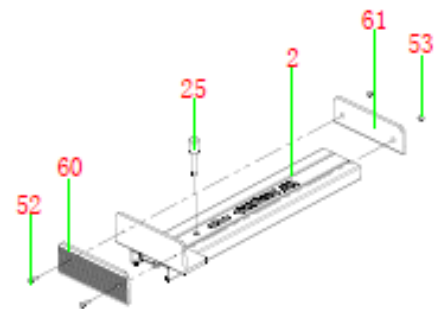
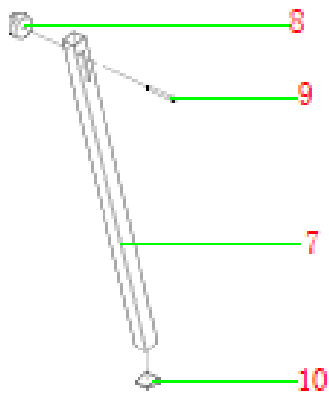
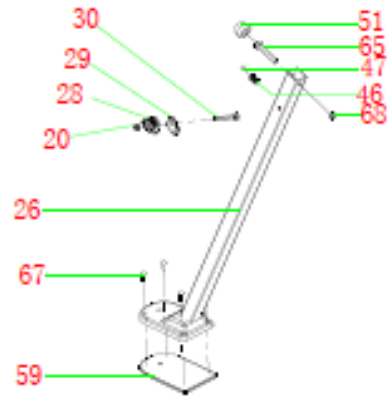
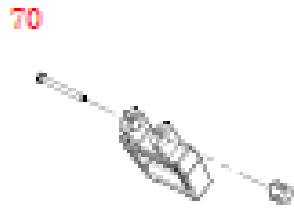


triton® SJA100XL – SUPER JAWS



triton® SJA100XL – SUPER JAWS





SJA100XL – SUPER JAWS

No.	Description	QTY
1	MAIN BODY	1
2	JAW	1
3	FRONT COVER OF CLAMP FRAME	1
4	PEDAL PART	1
5	CLAMP CONNECTING PART	1
6	PEDAL BOLT SPRING	2
7	REAR LEG SUPPORT TUBE	1
8	REAR LEG ROTARY KNOB	1
9	REAR LEG ROTARY KNOB SCREW	1
10	REAR LEG SEAL	1
11	PEDAL CONNECTING ROD SUPPORT	1
12	INNER SUPPORT	1
13	SPRING FIXING BLOCK	1
14	POSITION TOOTH HOLDER	1
15	POSITION HOLDER	1
16	TOOTH HOLDER PIN	1
17	ROCKER ARM PIN	1
18	SNAP SPRING	2
19	POSITION TOOTH HOLDER SCREW	1
20	M6 LOCKING NUT	6
21	POSITION TOOTH HOLDER SPRING	1
22	M12 X 95 HEX SCREW	2
23	M12 LOCKING NUT	2
24	WASHER	4
25	MOVABLE CLAMPING HANDLE	1
26	FRONT LEFT LEG	1
27	FRONT RIGHT LEG	1
28	FRONT LEG ROTARY KNOB	2
29	FRONT LEG LOCKING BRIQUETTING	2
30	M6X55 SCREW WITH TENON	2

No.	Description	QTY
31	LOCK BOX UPPER COVER	1
32	LOCK BOX	1
33	LOCKING ROD	1
34	PULL PLATE	1
35	M4X25 CROSS HEAD SCREW	2
36	M4X40 CROSS HEAD SCREW	2
37	SNAPE GAUGE	1
38	PIN	2
39	BUTTON	1
40	SPRING	1
41	LOCKING BLOCK LIMIT	1
42	TENSION SPRING	1
43	SNAP SPRING	1
44	SLIDE RAIL SEAL	2
45	BALL SPRING 1	2
46	BALL SPRING 2	2
47	BALL	4
48	SLIDE RAIL BALL FIXING BASE	2
49	SLIDE RAIL BALL INSTALLING ROD	2
50	M12 SCREW CAP	4
51	M8 SCREW CAP	4
52	PRESSING RIVET PIN	4
53	RUBBER GROMIT	2
54	ANTI-FRICTION PLUG	1
55	SEAT CONNECTING ROD SPRING	1
56	TRIANGLE PLUG	4
57	OPEN & CLOSE BUTTON	1
58	FRONT HANDLE	1
59	FRONT FOOT CUSHION	2



SJA100XL – SUPER JAWS

No.	Description	QTY
60	JAW CUSHION 1	2
61	JAW CUSHION 2	1
62	CROSS HEAD SCREW	9
63	M5X30 CROSS HEAD SCREW	2
64	M6X25 HEX SCREW	1
65	M8X45 HEX SCREW	3
66	FRAME BOARD	1
67	FOOT PAD RIVET	8
68	M8 LOCKNUT	3
69	OPEN & CLOSE BOARD	1
70	REAR HANDLE	1