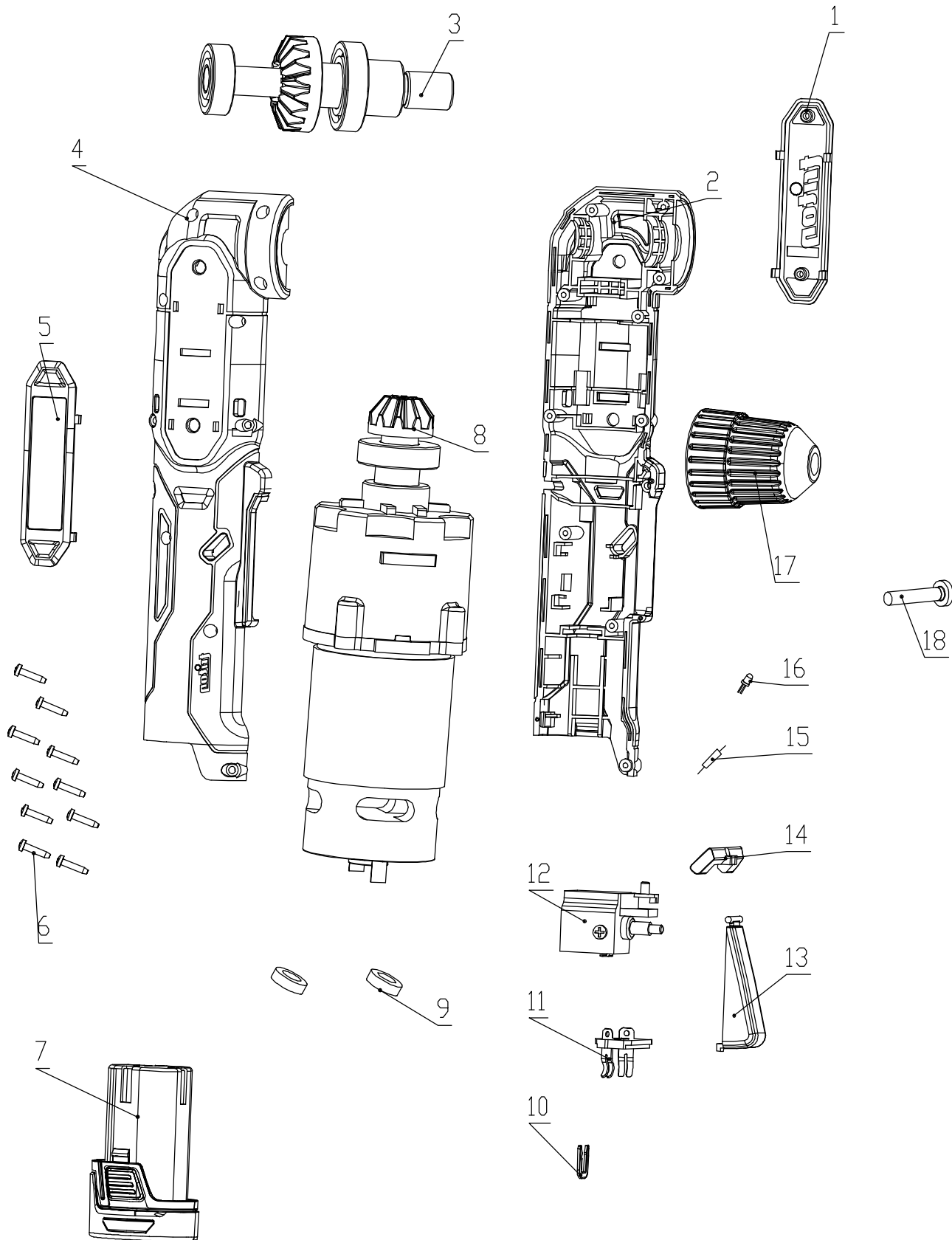




# T12AD - Angle Drill 12V





## **T12AD - Angle Drill 12V**

<b>No.</b>	<b>Description</b>	<b>Qty.</b>
1	Finisher Plate - Logo	1
2	Left Clam Shell	1
3	Output Shaft Assembly	1
4	Right Clam Shell	1
5	Finisher Plate - Rating Label	1
6	Self-tapping Screw ST3*14	10
7	Battery	1
8	Gearbox and Motor Assembly	1
9	Magnet Ring	2
10	U Clip	1
11	Connector	1
12	Switch	1
13	Switch Button	1
14	R/L Button	1
15	Resistance 620	1
16	LED	1
17	10mm Low-profile Chuck	1
18	Chuck Screw (LH Thread)	1