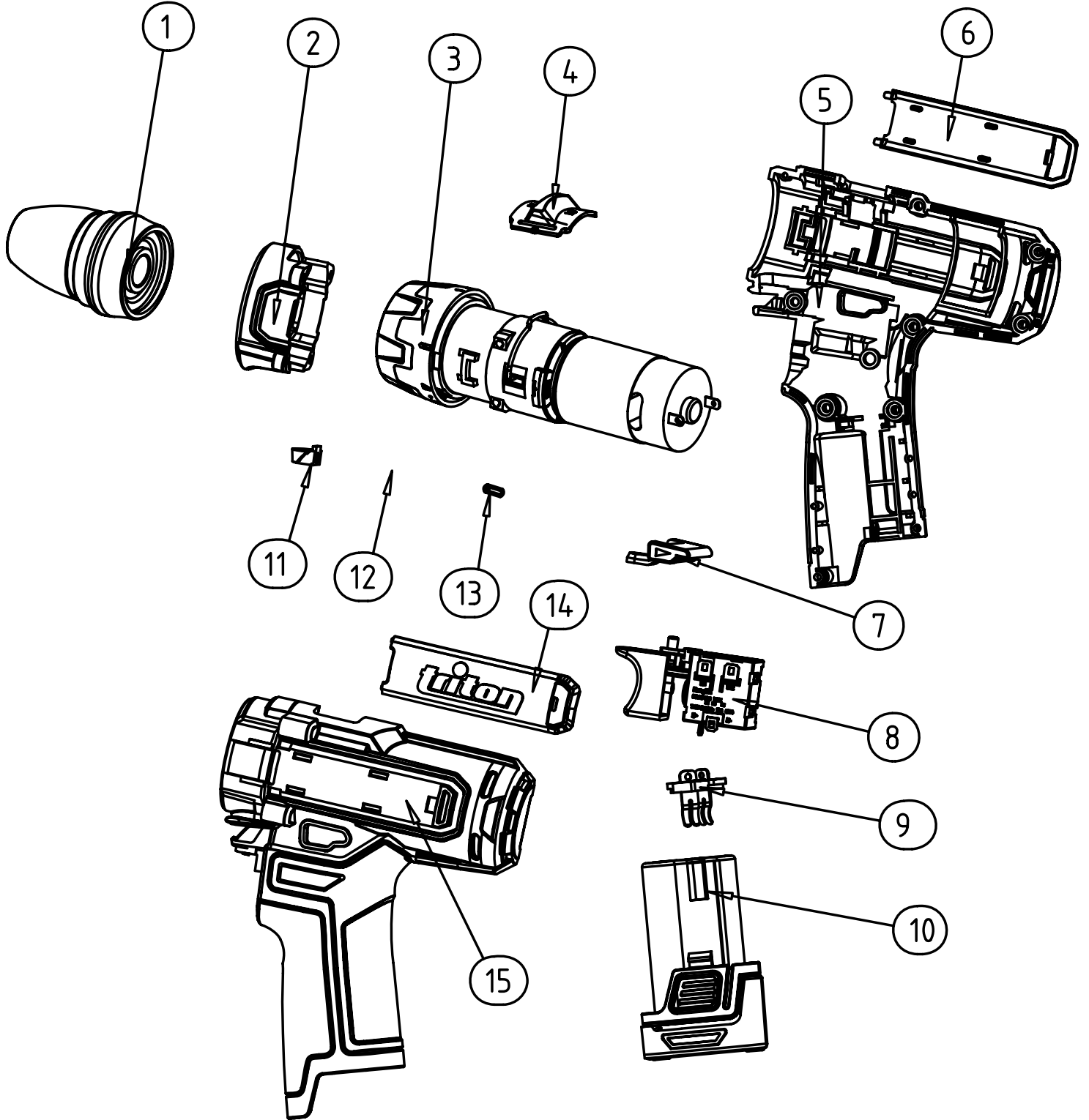




T12DD - Drill Driver 12V





T12DD - Drill Driver 12V

Number	Description (English)	Quantity
1	Removable Chuck	1
2	head housing	1
3	gear box assembly	1
4	Gear Selector	1
5	Clam shell R	1
6	Finishing Plate	1
7	Direction Selector	1
8	Switch	1
9	Connector	1
10	1500mAh Samsung battery	1
11	Lens	1
12	LED	1
13	Resistors 620	1
14	Finishing plate	1
15	Clam shell L	1