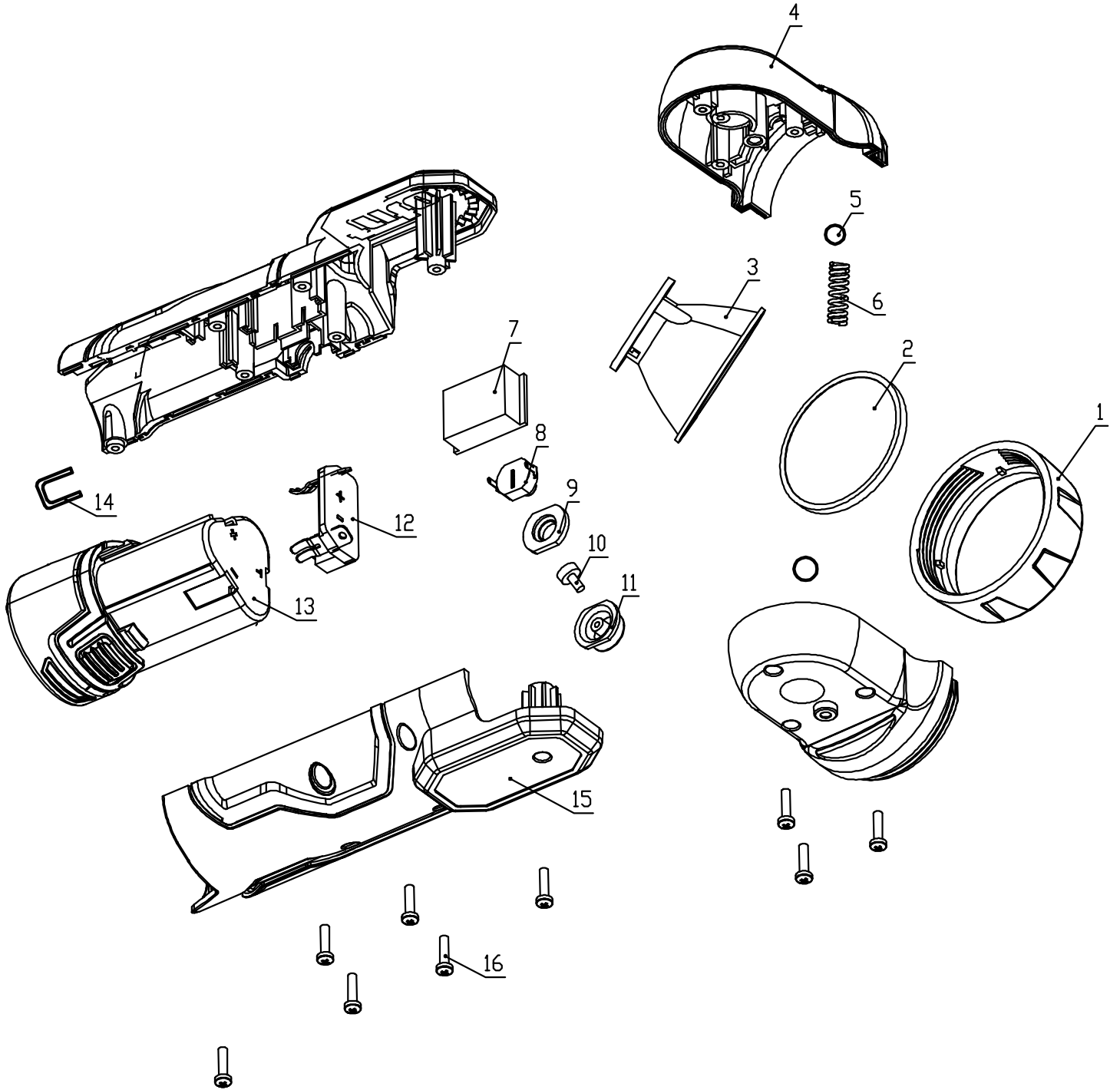




T12FL - Swivel Head Torch





T12FL - Swivel Head Torch

No.	Description	Qty.
1	Screw Cap	1
2	Lens	1
3	Reflector	1
4	Lamp Shell	1
5	Loose Bearing	2
6	Spring	1
7	PCB	1
8	Switch	1
9	Gasket	1
10	Cover Mount	1
11	Switch Cover	1
12	Connector	1
13	Battery	1
14	U Clip	1
15	Clam Shell	1
16	Self-tapping Screw ST3*12	9