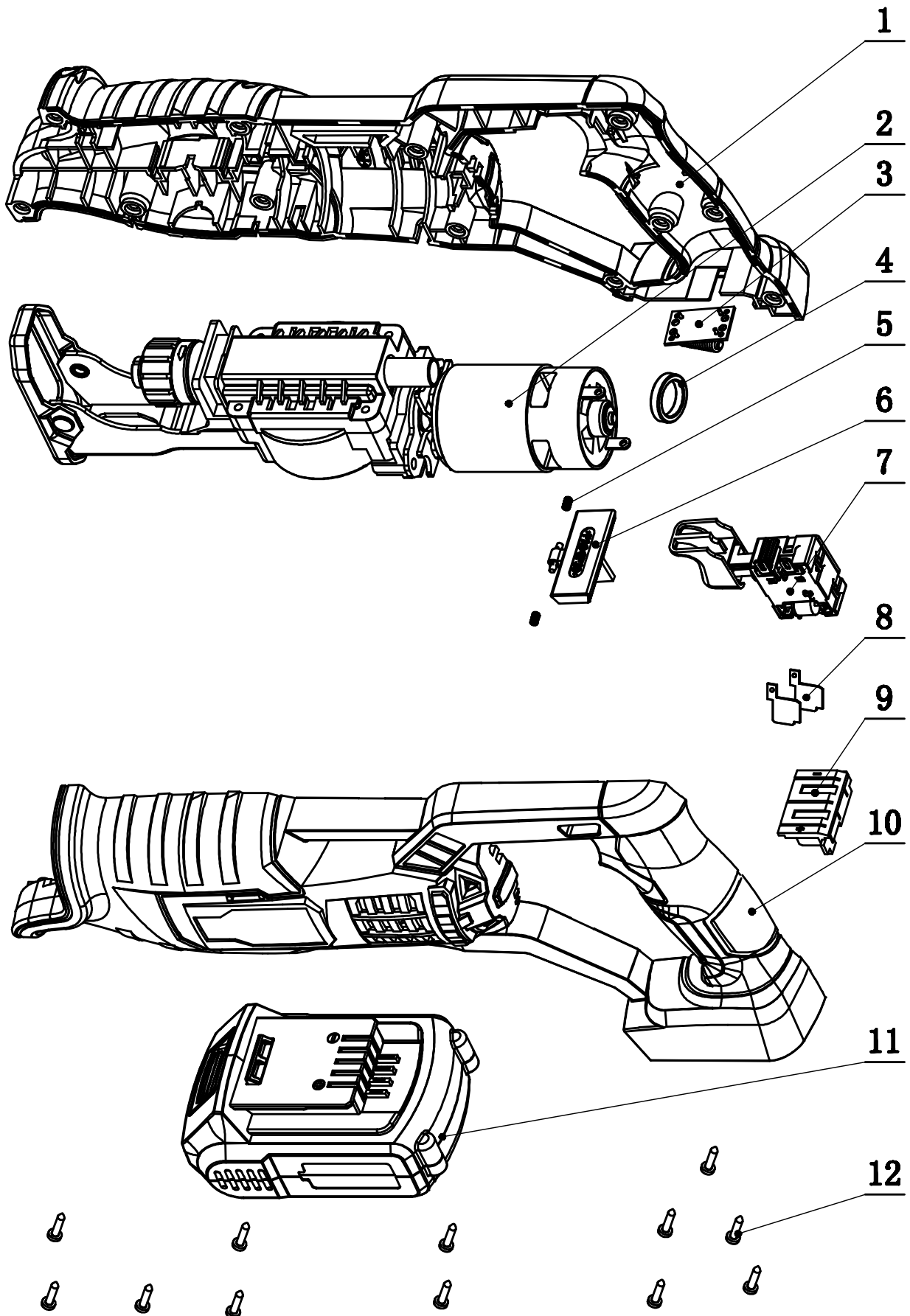


triton XT

18V RECIPROCATING SAW - BARE



18V RECIPROCATING SAW - BARE



| Part No. | Description | Quantity |
|----------|--------------------------|----------|
| 1 | Right Housing | 1 |
| 2 | Gear box and Motor | 1 |
| 3 | Inductance Components | 1 |
| 4 | Shockproof Ring | 1 |
| 5 | Little Spring | 2 |
| 6 | Locking Switch | 1 |
| 7 | Switch | 1 |
| 8 | Housing Insert | 2 |
| 9 | Insert frame | 1 |
| 10 | Left housing | 1 |
| 11 | Slow battery pack bottom | 1 |
| 12 | Self-tapping screw | 1 |