

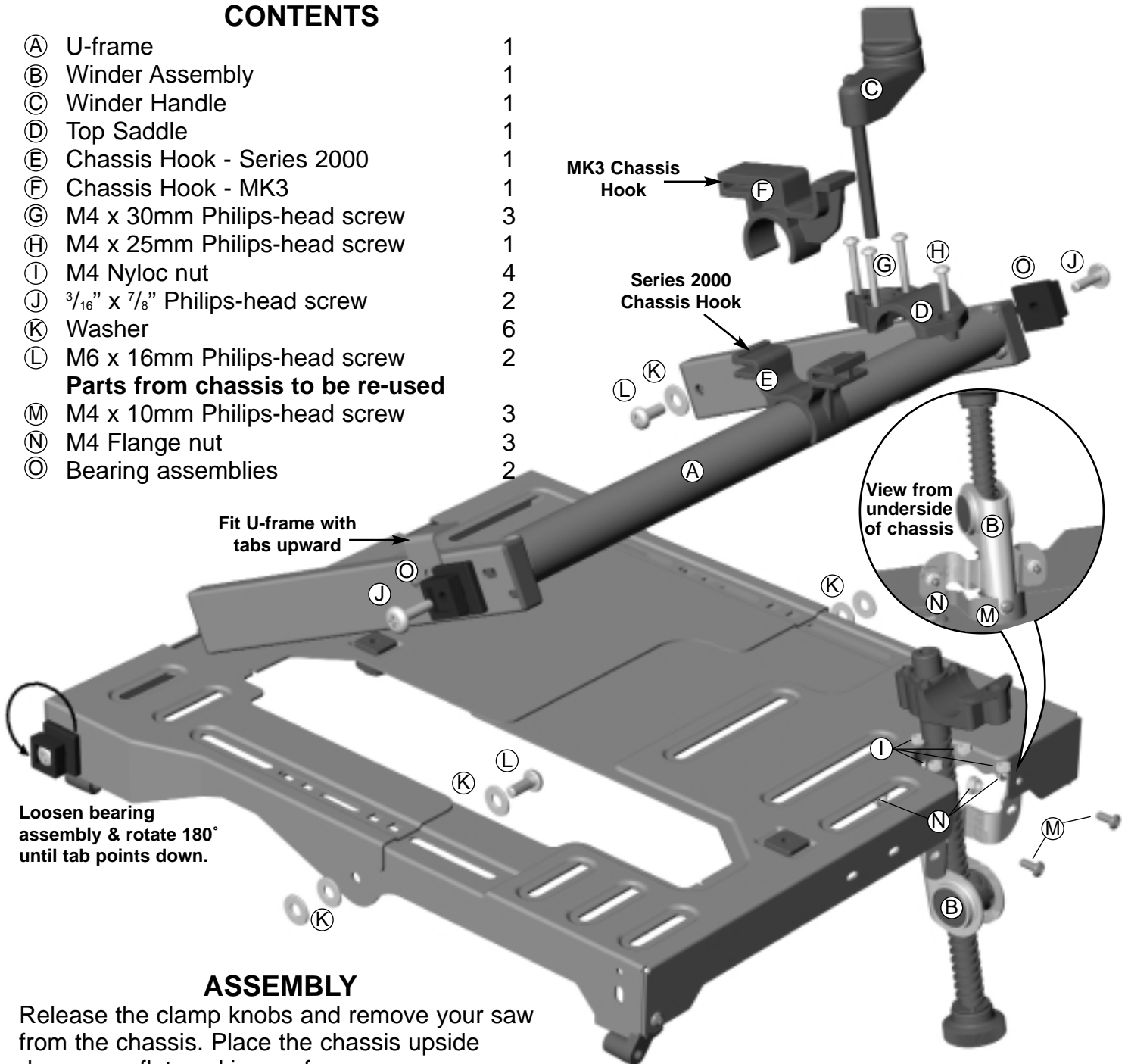


Height Winder Kit Instructions

For use with the Triton Workcentre pressed steel slide chassis (manufactured from July 1999).

CONTENTS

Ⓐ	U-frame	1
Ⓑ	Winder Assembly	1
Ⓒ	Winder Handle	1
Ⓓ	Top Saddle	1
Ⓔ	Chassis Hook - Series 2000	1
Ⓕ	Chassis Hook - MK3	1
Ⓖ	M4 x 30mm Philips-head screw	3
Ⓗ	M4 x 25mm Philips-head screw	1
Ⓘ	M4 Nyloc nut	4
Ⓙ	$\frac{3}{16}$ " x $\frac{7}{8}$ " Philips-head screw	2
Ⓚ	Washer	6
Ⓛ	M6 x 16mm Philips-head screw	2
Parts from chassis to be re-used		
Ⓜ	M4 x 10mm Philips-head screw	3
Ⓝ	M4 Flange nut	3
Ⓞ	Bearing assemblies	2



ASSEMBLY

Release the clamp knobs and remove your saw from the chassis. Place the chassis upside down on a flat working surface.

Step 1

Using a Philips-head screwdriver remove the red plastic locking latch, the steel brace and two sets of bearings (with red spacers) from the rear of the chassis. Retain the M4 screws and Flange nuts for use in Step 4.

Fit the bearings (O) (without their red plastic spacers) to the U-frame (A), using the $\frac{3}{16}$ " x $\frac{7}{8}$ " Philips-head screws (J) supplied.

Step 2

Loosen the two bearings at the front of the chassis and rotate them 180° (with the locating tabs pointing the opposite way). Re-tighten.

Step 3

Fit the U-frame (tabs upwards) to the slide chassis using the M6 x 16mm Philips-head screws (L) and 6 Washers (K). Note that the chassis and U-frame are spaced apart by 2 washers on each side. Do not overtighten.

Step 4

Attach the bracket on the Winder Assembly (B) on the inside of the U-shaped cut-out at the rear of the chassis using the three M4 x 10mm Philips-head screws and M4 Flange nuts (N) retained from Step 1.

Step 5

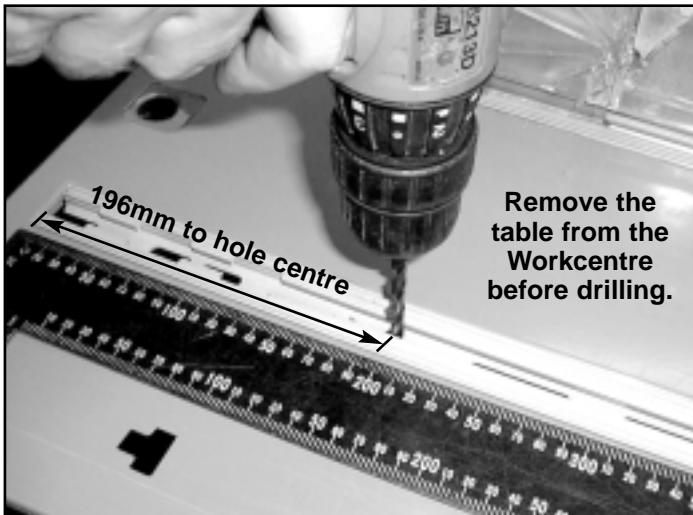
Attach the U-frame to the winder assembly by fastening the Top Saddle (D) into position using the three M4 x 30mm Philips-head screws (G), M4 x 25mm Philips-head screw (H) and Nyloc Nuts (I). Note from the diagram the orientation of the saddle and location of the shorter screw. Fully tighten the three longer screws, but only tighten the shorter screw to a point where the saddle is firm yet still free to pivot on the tube.

Step 6

Snap the appropriate Chassis Hook (E or F depending on your Workcentre) on the tube of the U-frame, as shown.

Step 7 - Series 2000 Workcentres only (not required for s/no's greater than 344,801).

With the table removed from your Workcentre measure and mark 196mm from the rear end of the left hand protractor slot. With a 8mm ($\frac{5}{16}$ ") bit, enter the slot at this point and drill through the slot base, being careful not to damage the sides as you drill. Elongate the hole using a round file, by approximately 1mm at each end. Clean up any rough edges.



Step 8

Clamp your saw back into the chassis and fit the chassis to your Workcentre in the rip position. Slide the chassis half-way along the bearing channels and while lowering the tabletop ensure that the rear brace on the underside of your table locates in the chassis hook. You may need to slide the hook sideways along the tube until it is clear of any table protrusions. Mark your bearing channels at this location to aid in future set-ups. Lock down the tabletop.

Step 9

Check the alignment of your saw and make any required adjustments as outlined in the Workcentre or Slide Chassis instructions. Set your saw to full depth and do some test cuts.

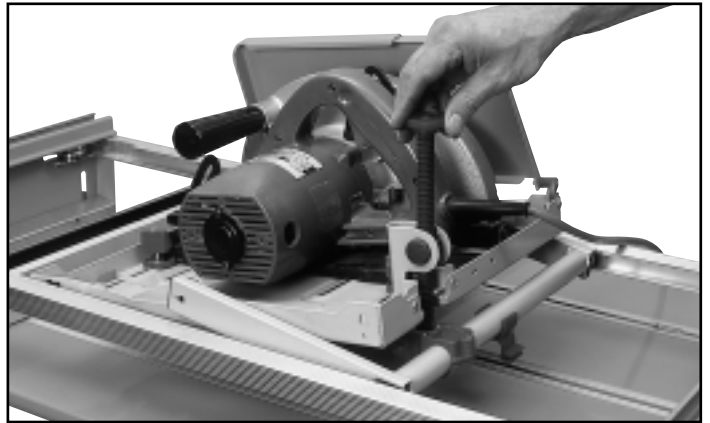
OPERATION

With the saw set at full depth push-fit the Winder Handle (C) through the saw slot and into the hex hole on the top of the winder mechanism. If you have a Dust Bag fitted, punch a hole through it using the shaft of the winder handle.

Use the winder handle to set your desired cut depth in the tablesaw mode, as shown below.



Remove it before attempting any cuts. In the crosscut mode, set your cut depth using the thumb-wheel, as shown.



When not in use the winder handle can be stored by its clip in the table height adjustment slot on the Workcentre end panel.

