

triton 2400W Dual Mode Precision Plunge Router

TRA001

EN Operating & Safety Instructions

NL Bedienings- en
veiligheidsvoorschriften

ES Instrucciones de
uso y de seguridad

FR Instructions d'utilisation
et consignes de sécurité

PT Instruções de
Operação e Segurança

DE Sicherheits- und
Bedienungsanleitung

PL Instrukcja obsługi
i bezpieczeństwa

IT Istruzioni per l'uso
e la sicurezza

CZ Provozní a bezpečnostní pokyny



Version date: 19.12.23



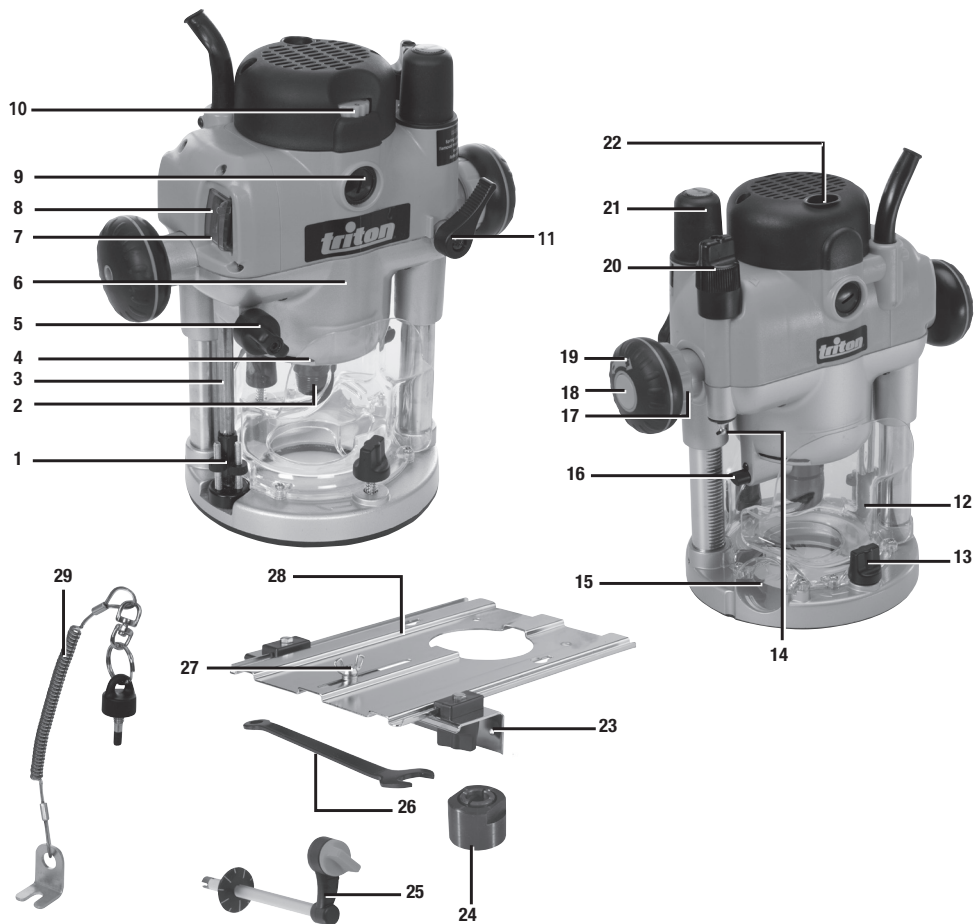


Fig. I

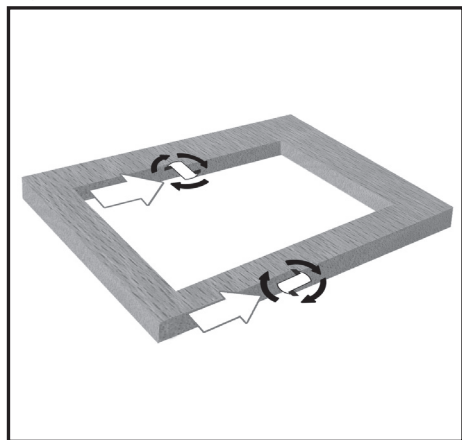
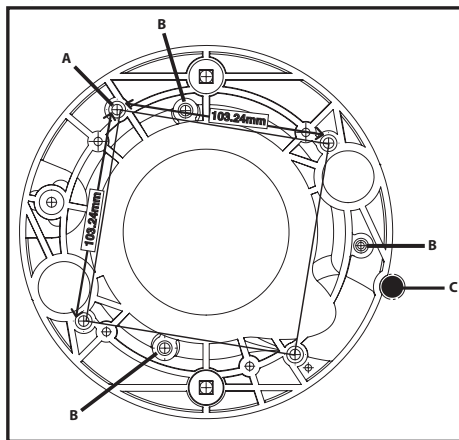
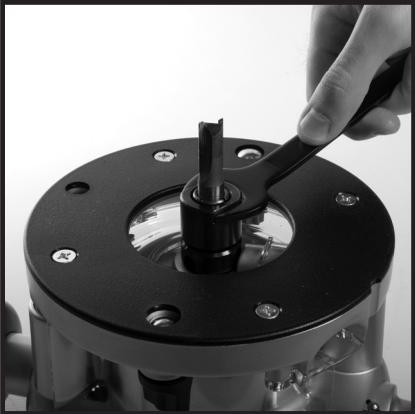
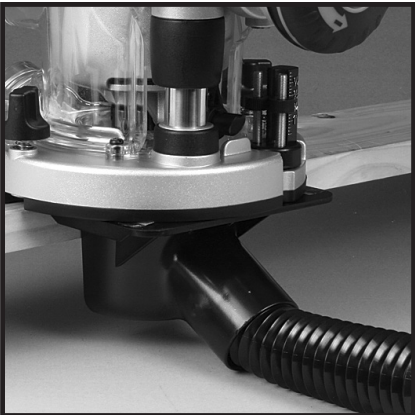
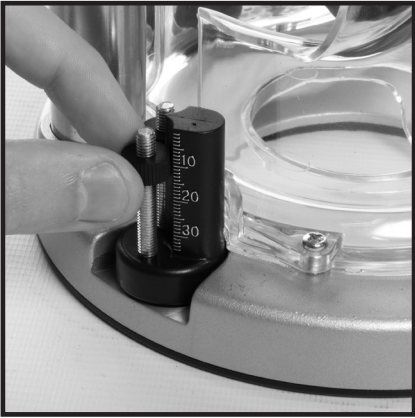
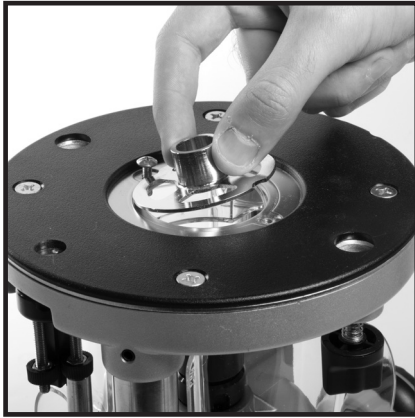


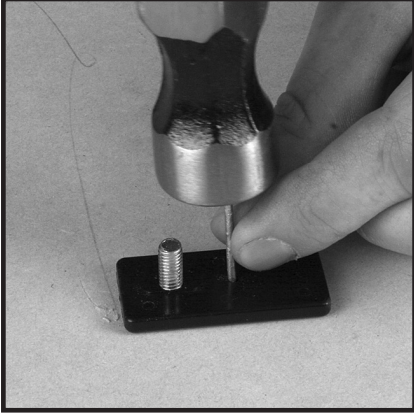
Fig. II



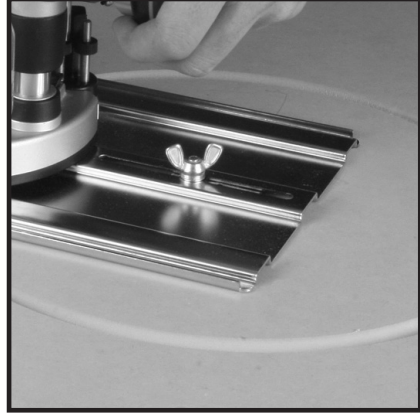
A**B****C****D****E****F**

G**H****I****J****K****L**

M



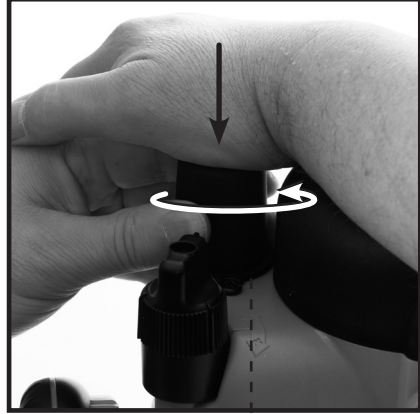
N



O



P



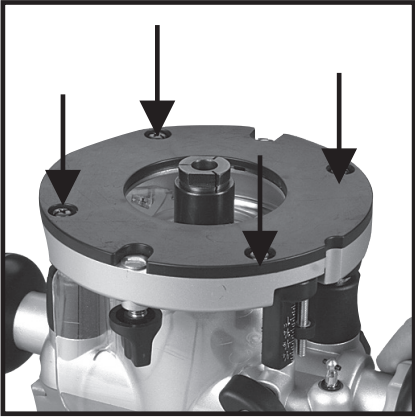
Q



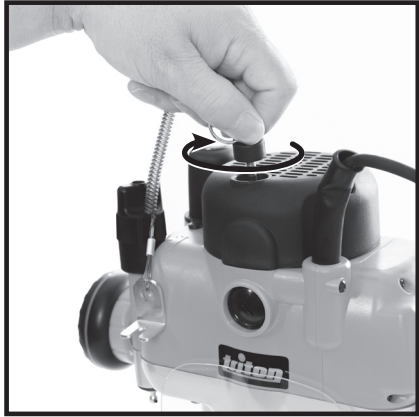
R



S



T



U



Original Instructions

Introduction

Thank you for purchasing this Triton product. This manual contains information necessary for safe and effective operation of this product. This product has unique features and, even if you are familiar with similar products, it is necessary to read this manual carefully to ensure you fully understand the instructions. Ensure all users of the product read and fully understand this manual. Keep these instructions with the product for future reference.

Description of Symbols

The rating plate on your tool may show symbols. These represent important information about the product or instructions on its use.



Wear hearing protection
Wear eye protection
Wear breathing protection
Wear head protection



Wear hand protection



WARNING – To reduce the risk of injury, user must read instruction manual



Caution



Warning: Sharp blades or teeth!



DO NOT use in rain or damp environments!



Always disconnect from the power supply when adjusting, changing accessories, cleaning, carrying out maintenance and when not in use!



Dust extraction required or recommended



Class II construction (double insulated for additional protection)



Environmental Protection.
Waste electrical products should not be disposed of with household waste. Please recycle where facilities exist. Check with your local authority or retailer for recycling advice.



Conforms to relevant legislation and safety standards.



Technical Abbreviations Key

V	Volts
~	Alternating current
A	Ampere
Hz	Hertz
W, kW	Watt, kilowatt
min ⁻¹	(revolutions or reciprocation) per minute

Specification

Model no:	TRA001
Voltage:	220 - 240V~ 50/60Hz
Max input current:	9.1A
Max output power:	2400W
No-load speed:	8000 - 21,000min ⁻¹
Collets:	UK/EU: 1/2" & 12mm AU/SA: 1/2" & 1/4"
Maximum cutter diameter:	55mm (50mm when used with TWX7RT001)
Maximum collet size:	1/2" (RU: 12.7mm)
Height adjustment:	1) Free Plunge 2) Table Height Winder 3) Micro Adjuster (Fine Adjustment)
Plunge range:	0-68mm
Ingress protection:	IPX0
Protection class:	□
Power cord length:	3m
Dimensions (L x W x H):	180 x 300 x 310mm
Weight:	6.5kg
As part of our ongoing product development, specifications of Triton products may alter without notice.	

Sound and vibration information:	
Sound pressure L_{pA} :	84.2dB(A)
Sound power L_{WA} :	95.2dB(A)
Uncertainty K:	3dB(A)
Weighted Vibration a_h :	5.4m/s ²
Uncertainty K:	1.5m/s ²
The sound intensity level for the operator may exceed 85dB(A) and sound protection measures are necessary.	

⚠ WARNING: Always wear ear protection where the sound level exceeds 85dB(A) and limit the time of exposure if necessary. If sound levels are uncomfortable, even with ear protection, stop using the tool immediately and check the ear protection is correctly fitted and provides the correct level of sound attenuation for the level of sound produced by your tool.

⚠ WARNING: User exposure to tool vibration can result in loss of sense of touch, numbness, tingling and reduced ability to grip. Long term exposure can lead to a chronic condition. If necessary, limit the length of time exposed to vibration and use anti-vibration gloves. Do not operate the tool with hands below a normal comfortable temperature, as vibration will have a greater effect. Use the figures provided in the specification relating to vibration to calculate the duration and frequency of operating the tool.

⚠ WARNING: The vibration emission during actual use of the power tool can differ from the declared total value depending on the ways in which the tool is used. There is the need to identify safety measures to protect the operator that are based on an estimation of exposure in the actual conditions of use (taking account of all parts of the operating cycle such as the times when the tool is switched off and when it is running idle in addition to the trigger time).

The declared vibration total value has been measured in accordance with a standard test method and may be used for comparing one tool with another. The declared vibration total value may also be used in a preliminary assessment of exposure.

Sound levels in the specification are determined according to international standards. The figures represent normal use for the tool in normal working conditions. A poorly maintained, incorrectly assembled, or misused tool, may produce increased levels of noise and vibration. www.osha.europa.eu provides information on sound and vibration levels in the workplace that may be useful to domestic users who use tools for long periods of time.

General Power Tool Safety Warnings

⚠ WARNING: Read all safety warnings, instructions, illustrations and specifications provided with this power tool. Failure to follow all instructions listed below may result in electric shock, fire and/or serious injury.

Save all warnings and instructions for future reference.

The term "power tool" in the warnings refers to your mains-operated (corded) power tool or battery-operated (cordless) power tool.

1) Work area safety

- Keep work area clean and well lit.** Cluttered or dark areas invite accidents.
- Do not operate power tools in explosive atmospheres, such as in the presence of flammable liquids, gases or dust.** Power tools create sparks which may ignite the dust or fumes.
- Keep children and bystanders away while operating a power tool.** Distractions can cause you to lose control.

2) Electrical safety

- Power tool plugs must match the outlet. Never modify the plug in any way. Do not use any adapter plugs with earthed (grounded) power tools.** Unmodified plugs and matching outlets will reduce risk of electric shock.
- Avoid body contact with earthed or grounded surfaces, such as pipes, radiators, ranges and refrigerators.** There is an increased risk of electric shock if your body is earthed or grounded.
- Do not expose power tools to rain or wet conditions.** Water entering a power tool will increase the risk of electric shock.
- Do not abuse the cord. Never use the cord for carrying, pulling or unplugging the power tool. Keep cord away from heat, oil, sharp edges or moving parts.** Damaged or entangled cords increase the risk of electric shock.
- When operating a power tool outdoors, use an extension cord suitable for outdoor use.** Use of a cord suitable for outdoor use reduces the risk of electric shock.
- If operating a power tool in a damp location is unavoidable, use a residual current device (RCD) protected supply.** Use of an RCD reduces the risk of electric shock.
- When used in Australia or New Zealand, it is recommended that this tool is ALWAYS supplied via Residual Current Device (RCD) with a rated residual current of 30mA or less.**
- Use proper extension cord. Make sure your extension cord is in good condition. When using an extension cord, be sure to use one heavy enough to carry the current your product will draw.** An undersized cord will cause a drop in line voltage resulting in loss of power and overheating.

3) Personal safety

- Stay alert, watch what you are doing and use common sense when operating a power tool. Do not use a power tool while you are tired or under the influence of drugs, alcohol or medication.** A moment of inattention while operating power tools may result in serious personal injury.
- Use personal protective equipment. Always wear eye protection.** Protective equipment such as a dust mask, non-skid safety shoes, hard hat or hearing protection used for appropriate conditions will reduce personal injuries.
- Prevent unintentional starting. Ensure the switch is in the OFF-position before connecting to power source and/or battery pack, picking up or carrying the tool.** Carrying power tools with your finger on the switch or energising power tools that have the switch ON invites accidents.
- Remove any adjusting key or wrench before turning the power tool ON.** A wrench or a key left attached to a rotating part of the power tool may result in personal injury.
- Do not overreach. Keep proper footing and balance at all times.** This enables better control of the power tool in unexpected situations.

- f) **Dress properly. Do not wear loose clothing or jewellery. Keep your hair and clothing away from moving parts.**
Loose clothes, jewellery or long hair can be caught in moving parts.
 - g) **If devices are provided for the connection of dust extraction and collection facilities, ensure these are connected and properly used.** Use of dust collection can reduce dust-related hazards.
 - h) **Do not let familiarity gained from frequent use of tools allow you to become complacent and ignore tool safety principles.** A careless action can cause severe injury within a fraction of a second.
- 4) Power tool use and care**
- a) **Do not force the power tool. Use the correct power tool for your application.** The correct power tool will do the job better and safer at the rate for which it was designed.
 - b) **Do not use the power tool if the switch does not turn it ON and OFF.** Any power tool that cannot be controlled with the switch is dangerous and must be repaired.
 - c) **Disconnect the plug from the power source and/or remove the battery pack, if detachable, from the power tool before making any adjustments, changing accessories, or storing power tools.** Such preventive safety measures reduce the risk of starting the power tool accidentally.
 - d) **Store idle power tools out of the reach of children and do not allow persons unfamiliar with the power tool or these instructions to operate the power tool.** Power tools are dangerous in the hands of untrained users.
 - e) **Maintain power tools and accessories. Check for misalignment or binding of moving parts, breakage of parts and any other condition that may affect the power tool's operation.** If damaged, have the power tool repaired before use. Many accidents are caused by poorly maintained power tools.
 - f) **Keep cutting tools sharp and clean.** Properly maintained cutting tools with sharp cutting edges are less likely to bind and are easier to control.
 - g) **Use the power tool, accessories and tool bits, etc. in accordance with these instructions, taking into account the working conditions and the work to be performed.** Use of the power tool for operations different from those intended could result in a hazardous situation.
 - h) **Keep handles and grasping surfaces dry, clean and free from oil and grease.** Slippery handles and grasping surfaces do not allow for safe handling and control of the tool in unexpected situations.
- 5) Service**
- a) **Have your power tool serviced by a qualified repair person using only identical replacement parts.** This will ensure that the safety of the power tool is maintained.
- **Use clamps or another practical way to secure and support the workpiece to a stable platform.** Holding the work by your hand or against the body leaves it unstable and may lead to loss of control.
 - **If the replacement of the supply cord is necessary, this has to be done by the manufacturer or his agent in order to avoid a safety hazard.**
 - **It is strongly recommended that the tool always be supplied via a residual current device with a rated residual current of 30 mA or less.**
 - a) **Use safety equipment including safety goggles or shield, ear protection, dust mask and protective clothing including safety gloves**
 - b) **Cloths, cord, string etc should never be left around the work area**
 - c) **Ensure the mains supply voltage is the same as the tool rating plate voltage**
 - d) **Ensure any cable extensions used with this tool are in a safe electrical condition, and have the correct ampere rating for the tool**
 - e) **Completely unwind cable drum extensions to avoid potential overheating**
 - f) **Use appropriate detectors to determine if utility cables or pipes are below the surface of the work area.** Consult utility companies for assistance if necessary. Contact with electric cables can lead to electric shock and fire. Damaging a gas pipe can lead to explosion. Contact with water lines can lead to major property damage
 - g) **Ensure embedded objects such as nails and screws have been removed from the workpiece before commencing operation**
 - h) **Handle router bits with care as they can be extremely sharp**
 - i) **Before use, check the bit carefully for signs of damage or cracks.** Replace damaged or cracked bits immediately
 - j) **Ensure router cutters/bits are sharp and maintained correctly.** Dull cutting edges can lead to uncontrolled situations including stalling, increased heat and possible injury
 - k) **ALWAYS use both handles and maintain a firm grip on the router before proceeding with any work**
 - l) **Keep handles and gripping surfaces dry, clean and free of oil and grease to ensure the tool can be securely held in use**
 - m) **Before using the tool to make a cut, switch on and let it run for a while.** Vibration could indicate an improperly installed bit
 - n) **Take notice of the direction of rotation of the bit and the direction of feed**
 - o) **Keep your hands away from the routing area and router bit cutter.** Hold the auxiliary handle or an insulated gripping surface with your second hand
 - p) **NEVER start the router while the cutter is touching the workpiece**
 - q) **Ensure the plunge spring is always fitted when using hand-held**
 - r) **Ensure the cutter has completely stopped before plunging to the collet lock position**
 - s) **The maximum speed of the router bit/cutter must be at least as high as the maximum speed of the power tool**
 - t) **Parts of the router bits may become hot during operation.** Do not handle immediately after use to avoid risk of burns

Additional Safety for Routers



- **Hold the power tool by insulated gripping surfaces only, because the cutter may contact its own cord.** Cutting a "live" wire may make exposed metal parts of the power tool "live" and could give the operator an electric shock.

- u) **Do not allow parts to come into contact with combustible materials**
 - v) **The shank size of the router cutter/bit must be matched to the exact same size collet fitted to the router.**
Incorrectly fitted router cutter/bits will rotate irregularly and have increased vibration that could lead to loss of control
 - w) **DO NOT press the spindle lock button, or attempt to switch the tool into bit change mode while the router is operating**
 - x) **Keep pressure constant while cutting into the workpiece, allowing the router bit cutter to dictate the speed of cut.**
DO NOT force the tool and overload the motor
 - y) **Ensure rating labels and safety warnings on the tool remain clear to read and are replaced if marked or damaged**
 - z) **When operating the router, be prepared for the router bit cutter stalling in the workpiece and causing loss of control.**
Always ensure the router is firmly held and the on/off switch is immediately released in such circumstances
- **After switching on the router, check the router bit is rotating evenly (not 'wobbling') and there is no additional vibration due to the router bit being incorrectly fitted.**
Operating the router with an incorrectly fitted router bit can lead to loss of control and severe injury
 - **EXTREME care must be taken when using cutters with a diameter greater 50mm.** Use very slow feed rates and/or multiple shallow cuts to avoid overloading the motor
 - **ALWAYS switch off and wait until the bit has come to a complete standstill before removing the machine from the workpiece**
 - **Disconnect from the power supply before carrying out any adjustment, servicing or maintenance**
 - **Even when this tool is used as prescribed it is not possible to eliminate all residual risk factors.** If you are in any doubt as to safe use of this tool, do not use it

9. Brush Access Covers
10. Speed Controller
11. Plunge Lock Lever
12. Safety Guards
13. Baseplate Mounting Knobs
14. Table Height Winder Connection Point
15. Dust Extraction Port
16. Automatic Spindle Lock
17. Winder Handle Clutch Ring
18. Plunge Selection Button
19. Winder Handle
20. Micro Winder
21. Plunge Spring Access Cap
22. NVR Bypass Key Connection
23. Fence
24. Collet
25. Table Height Winder
26. Spanner
27. Circle Cutting Pivot Mount
28. Extended Baseplate
29. Bypass Key

Fig. II

- A. ¼ UNC x4
- B. M6 x3
- C. Table Winder Indent

Intended Use

Hand-held precision plunge router used for cutting profiles, grooves, edges and elongated holes in natural and composite wood. Also used with guide bushes and templates for cutting shapes and following patterns. Suitable for stationary installation in the Triton Router Table for the Triton Workcentre, and other suitable table systems.

Not for commercial use.

The tool must ONLY be used for its intended purpose. Any use other than those mentioned in this manual will be considered a case of misuse. The operator, and not the manufacturer, shall be liable for any damage or injury resulting from such cases of misuse. The manufacturer shall not be liable for any modifications made to the tool, nor for any damage resulting from such modifications.

Unpacking Your Tool

- Carefully unpack and inspect your new plunge router. Familiarise yourself with all its features and functions
- Ensure that all parts of the tool are present and in good condition.

⚠ WARNING: Dust generated by using power tools can be toxic. Some materials may be chemically treated or coated and be a toxic hazard. Some natural and composite materials may contain toxic chemicals. Some older paints may contain lead and other chemicals. Avoid prolonged exposure to dust generated from operating a router. DO NOT allow dust to get onto skin or eyes and do not allow the dust to enter your mouth to prevent absorption of harmful chemicals. Where possible, work in a well-ventilated area. Use a suitable dust mask and dust extraction system where possible. Where there is a higher frequency of exposure, it is more critical that all safety precautions are followed and a higher level of personal protection is used.

Product Familiarisation

1. Turret Stops
2. Chuck
3. Depth Stop
4. Side Air Vents
5. Depth Stop Lock Knob
6. Motor
7. Retracting Power Switch Cover
8. On/Off Power Switch

Before Use

⚠ WARNING: Ensure the tool is disconnected from the power supply before attaching or changing any accessories, or making any adjustments.

⚠ WARNING: Periodically, during prolonged use or when the router has been transported or dropped, check the Plunge Spring Access Cap (21) is correctly located and secured in place. It should sit parallel with the body of the tool with no visible gap, and the securing screw should be correctly located to prevent the Plunge Spring Access Cap from accidentally unscrewing, see Image O. The plunge spring is tensioned with sufficient force to cause serious injury if released in an uncontrolled manner. Always follow the instructions carefully when removing and replacing the plunge spring.

Collet & cutter installation

Note: Wear protective gloves when inserting and removing router bits due to the sharp edges of the cutters.

1. Place the router upside down on a secure flat surface, with the motor completely stationary and the power cable removed from the mains
2. Plunge the router to its maximum depth by pressing the Winder Handle Clutch Ring (17) (Image B) inwards, and turning the Winder Handle (19) clockwise until the Collet (24) is protruding from beneath the Base

Note: Ensure the Depth Stop (3) is fully retracted (see 'Depth stop and turret'). The Collet should be protruding through the base, allowing easy spanner access

3. Using the Spanner (26) provided, loosen the Collet by turning it anti-clockwise until loose enough to remove
4. Select the desired Collet, and install into the Chuck (2) by screwing the Collet clockwise
5. Insert the router cutter into the Collet ensuring that at least 20mm or half of the shaft (whichever is greater) is inserted into the Collet, then use the Spanner to turn the Collet slightly, allowing the collet lock to engage (Image C). Once engaged, turn the spanner clockwise to tighten the cutter
6. Return the router to a normal operating depth. This will disengage the collet lock and release the retracting switch shutter, enabling access to the On/Off Power Switch (8)

Dust extraction port

Note: The Triton Router is equipped with a Dust Extraction Port (15) for chip extraction above the cut. The Dust Extraction Port accepts 38mm O.D. hose, supplied with the Triton Dust Collector (DCA300).

- The dust extraction hose screws into position via a left-hand thread (anti-clockwise) (Image D)

Optional chip collector accessory

- An optional Dust Chute for effective chip extraction alongside the cut zone is available through your local Triton retailer. It can be connected to any 38mm O.D. hose (Image E)

Extended baseplate & fence installation

1. Locate the two Baseplate Mounting Knobs (13) and loosen them completely. This permits the mounting studs to engage the router securing holes on the Extended Baseplate (28)
2. Turn both the plunge router and the Extended Baseplate upside down

3. Press the Baseplate Mounting Knobs on the plunge router inwards, to expose the mounting studs
4. Align the mounting studs with the router securing holes on the Extended Baseplate, and slide into the keyhole slots (Image K)

Note: The orientation of the Extended Baseplate depends on where the support is required. For edge work, locate the On/Off Power Switch (8) on the short overhang side of the base

5. Tighten the Baseplate Mounting Knobs on the plunge router firmly to secure the plunge router to the Extended Baseplate
6. To fit the Fence (23) loosen the fence knobs, and slide the Fence along the tracks on the Extended Baseplate (Image L). Lock at the required setting by tightening both fence knobs

Note: When routing trenches at distance from an edge, fit the Fence to the long end of the Extended Baseplate.

Note: When performing edge work with a non-bearing guided cutter, fit the Fence to the short end of the baseplate (Image J).

Note: If using a very large diameter cutter it may be necessary to fix wooden blocks to the fence faces via the screw holes, to ensure the cutter does not contact the Fence.

Operation

⚠ WARNING: ALWAYS wear eye protection, adequate respiratory and hearing protection, as well as suitable gloves, when working with this tool.

Switching ON & OFF

Note: When the router is connected to the power source, the On/Off Power Switch (8) will illuminate in both 'On' and 'Off' positions.

Note: The Retracting Power Switch Cover (7) prevents accidental starting of the router. It must be retracted before the router can be switched on. The Retracting Power Switch Cover will remain open until the router is switched off.

1. Ensure that the plunge router is at the maximum extension of its travel, and that the cutter will not conflict with any foreign objects when it is powered on
2. Connect the power cord to the mains, and slide the Retracting Power Switch Cover back to reveal the On/Off Power Switch
3. Press the On/Off Power Switch in the 'I' position to turn the plunge router ON. Whilst the On/Off Power Switch is in this position, the Retracting Power Switch Cover will be prevented from re-covering the On/Off Power Switch
4. To turn OFF, press the On/Off Power Switch in the 'O' position. The Retracting Power Switch Cover will slide back to its original position

Variable speed control

Note: Router speed settings are not critical. Generally, the highest speed that does not cause burn marks on the workpiece should be used. Where stated, always follow the cutter manufacturers' maximum speed limitations.

- Operating at reduced speed increases the risk of damage to the router as a result of overload. Use very slow feed rates and/or multiple shallow cuts
- The Speed Controller (10) is marked 1 to 5, corresponding approximately with the speeds and cutter diameters below. Turn the dial to select the required speed

Setting	Speed (min ⁻¹)	Cutter Diameter
5	21,000	Up to 25mm
4	18,000	25-50mm
3	14,500	50-65mm
2	11,000	Over 65mm
1	8000	Use only if burning

Cutting depth adjustment

IMPORTANT:

YOU WILL DAMAGE YOUR PLUNGE MECHANISM IF YOU DO NOT FOLLOW THESE INSTRUCTIONS.

ALWAYS ensure the Plunge lock lever (11) is unlocked by setting it to its highest position before adjusting the cutting depth using the 'Free plunge' or 'Winder handle adjustment' methods below.



Note: To lock the router at a particular depth of cut, plunge the router head down and rotate the Plunge Lock Lever (11) to its lower position. This will hold the router head in this position.

- There are three methods of cut depth adjustment, depending on the accuracy and control required:

Free plunge

1. Free plunge depth adjustments can be made with the Plunge Selection Button (18) engaged. Press the Plunge Selection Button deep inside the handle until it engages inward (Image A)
2. **Release the Plunge Lock Lever (11)** and push the body of the router until the required depth is reached. Re-lock the Plunge Lock Lever

Winder handle adjustment

1. Plunge depth adjustments can be made by turning the Winder Handle (19)
2. Disengage the Plunge Selection Button (18), and ensure the button is flush with the Winder Handle (Image K)
3. To release the Winder Handle, pull the Winder Handle Clutch Ring (17) inwards (Image B)
4. **Release the Plunge Lock Lever (11)** and twist the Winder Handle until the desired depth of cut is reached. Release the Winder Handle Clutch Ring, and lock the Plunge Lock Lever

Micro Winder

Note: For use in Winder Handle (19) plunge mode only.

1. Disengage the Plunge Selection Button (18), and **ensure that the Plunge Lock Lever (11) is unlocked**

Note: If the Micro Winder (20) is turned with the Plunge Lock Lever engaged, the Micro Winder will start clicking and the cut depth will remain unchanged.

2. Turn the Micro Winder clockwise to increase cut depth and anti-clockwise to reduce cut depth. Adjust the cut depth until the desired height is reached

Note: When the end of the depth adjustment range is reached, the Micro Winder will offer greater resistance and will begin to 'click'.

3. Engage the Plunge Lock Lever, particularly for heavy cuts

Depth stop & turret

1. The Depth Stop (3) and Turret Stops (1) are used to accurately pre-set up to three different cut depths
2. Loosen the Depth Stop Lock Knob (5) and retract the Depth Stop fully, then re-tighten (Image F)
3. Set the turret posts to the required plunge depths using the scales on the stationary turret post (Image G)

Note: To change turret posts, rotate the entire turret assembly to align with the Depth Stop.

4. With the desired cutter installed into the Collet (24), adjust the plunge depth until the tip of the cutter touches the workpiece
5. Rotate the turret until the fixed turret post is in line with the Depth Stop. Release the stop, allowing it to spring on to the post, then re-tighten the Depth Stop Lock Knob. The plunge depth is now set at zero
6. Rotate the Turret Stops until the turret post with the desired plunge depth is aligned with the Depth Stop

Optional template guide bushes

Different template guide bushes are available for template routing. Accessory kits are available through your local Triton retailer.

Making a cut

Note: NEVER operate the router freehand without some form of guide. Guidance can be provided by a bearing guided router bit cutter, the supplied guides, or a straight edge (Image I).

1. ALWAYS hold the router using both hands, on the handles provided. Ensure that the workpiece will not move. Use clamps wherever possible
2. Allow the motor to reach its full operating speed
3. Lower the router bit cutter into the workpiece whilst moving the router slowly, keeping the baseplate held flat against the workpiece
4. If edge cutting, the cutting of the workpiece should be on the left side relative to the cutting direction, (Fig I). Keep the pressure constant and allow the cutter to work steadily through the material. Be aware that knots, and other variations, will slow the rate of progress

Note: To avoid 'bit chatter', direct the cut anti-clockwise for external cuts, and clockwise for internal cuts.

Note: Moving the router too fast can result in a poor quality finish, and overloading of the motor. Moving the router too slowly can result in overheating the workpiece.

Note: Normal operation of a router is to plunge the head after the router has been switched on.

Note: Do not operate the router upside down unless securely mounted in a well-guarded router table (e.g. Triton brand).

Making multiple pass cuts

1. The Turret Stops (1) allow the maximum depth of cut to be achieved in an operator-determined number of steps. Each step of the turret can be pre-set by adjusting the thumbwheel on the turret post
2. Rotate the Turret Stops so that the Depth Stop (3) will contact the highest pre-set turret post when the router is plunged. The first pass of the cut can now be made
3. Continue to make passes, rotating the Turret Stops and adjusting the turret post depth for each pass when necessary until the full depth of cut has been achieved

Circle Cutting

1. Fit the Extended Baseplate (28), without the Fence (23) attachment, to the router
 2. Remove the Circle Cutting Pivot Mount (27) from the Extended Baseplate and fix it to the centre of the workpiece, using a small nail or screw, through one of the holes in the pivot mount, (Image M). Leave the pivot mount bolt in position
 3. Lower the router and base over the pivot mount and refit the washer and wing-nut, (Image N)
 4. With the power switched 'Off', rotate the router along the intended path to check the circle, and make any necessary adjustments
 5. Cut the circle in several passes, lowering the cut depth by approximately 2mm each pass, (Image N). Do not attempt to cut deeply in one pass
- **Through cuts:** If cutting all the way through the material, fix a sacrificial board to the underneath of the workpiece. Cut the circle oversize, then when the cut is all the way through, reduce the diameter and work back to the required size, using light, full depth passes

Table-mounted operation

⚠ WARNING: When in use with the Triton Workcentre Router Table Module TWX7RT001, the maximum cutter dia. is 50mm. This is constrained by the Workcentre specification.

Note: Fitting and operating this router on a router table should be carried out in accordance with the literature supplied with the router table.

Note: Whilst this product was designed for efficient and convenient operation on most router tables, it is particularly suited for use with the Triton Router Table TWX7RT001.

Note: Router adjustments are extremely easy using the unique features described earlier in the manual. See 'Collet and cutter installation' and 'Cutting depth adjustment'.

IMPORTANT: The plunge spring **MUST** be removed before this router is fitted into a router table:

1. Set the router at the top of its plunge range and engage the Plunge Lock Lever (11)
2. Loosen the small screw next to the Plunge Spring Access Cap (21) a few turns (Image O)
3. Using the palm of your hand, apply downward pressure on the Plunge Spring Access Cap and grip the Plunge Spring Access Cap firmly with your other hand to prevent the plunge spring from shooting upwards when released. Whilst maintaining the downward pressure and a firm grip, twist the Plunge Spring Access Cap anti-clockwise to remove it (Image P)

4. **⚠ WARNING:** The plunge spring is tensioned with great force to enable a smooth plunging action. The Plunge Spring Access Cap and plunge spring will shoot up quickly with the same force once it has been unscrewed. Be careful not to release the Plunge Spring Access Cap in an uncontrolled manner, which could cause personal injury.
4. Slowly allow the Plunge Spring Access Cap to raise upwards once released (Image Q)
5. Remove the spring and store in a safe place
6. Replace the Plunge Spring Access Cap and re-tighten the screw

⚠ WARNING: When re-inserting the plunge spring, carefully check that the Plunge Spring Access Cap is correctly fastened. It should sit parallel with the body of the tool with no visible gap, and the securing screw should be correctly located to prevent the Plunge Spring Access Cap from accidentally unscrewing.

NOTE: Be sure to re-fit the plunge spring before using the router freehand.

IMPORTANT: Before mounting the router under the router table, make sure the Depth Stop Lock Knob (5) is loosened and the Plunge Lock Lever (11) is in the unlocked position.

- The Table Height Winder (25) engages with the Table Height Winder Connection Point (14) for quick and easy above-the-table height adjustment when the router is table-mounted

Installing the No Voltage Release bypass key:

The TRA001 router has a No Voltage Release (NVR) function which prevents the motor from automatically restarting after a power interruption. To reset the tool, the switch must be returned to the OFF position before switching back ON. When used with the TWX7 Workcentre (with TWX7RT001 Router Table) or a 3rd party router table, which has its own NVR protection, this function can be bypassed by inserting the NVR Bypass Key (29). Thereby enabling the ON/OFF operation of the tool to be controlled by the ON/OFF switch on the router table.

1. Screw the NVR Bypass Key into the NVR Bypass Key Connection (22) and gently hand tighten (image T)
2. Secure the bracket to the underside of the work centre (Image U)
3. Switch the router ON and use the router table ON/OFF switch to control the router

⚠ WARNING: ONLY use the NVR Bypass Key when the router is connected to a power source that is itself protected by a No Voltage Release protection system, such as the Triton TWX7 Workcentre. ALWAYS ensure the bracket is connected to the router table to avoid accidentally removing the router without removing the Bypass Key.

Accessing the baseplate screw threads


1. To mount the router in a third-party router table or a table of your own construction remove the 4 x screws of the baseplate indicated in Image S and remove the baseplate
2. There are 2 sets of screw threads as shown in fig. II. There are 4 x ¼ UNC screw threads (A) which are used to secure the baseplate as well as suitable for table mounting plus an alternate set of 3 x M6 threads (B)

Note: The M6 threads are not available on earlier versions of the TRA001 router.

Accessories

A wide range of suitable accessories for this tool are available from your Triton stockist, including a large selection of cutter/router bits. Spares including carbon brushes, guide bushes and collets are available from your Triton stockist or www.toolsparesonline.com


Maintenance

 **WARNING:** ALWAYS disconnect from the mains power supply, before carrying out any maintenance/cleaning of the charger.

General Inspection

- Regularly check that all the fixing screws are tight
- Inspect the supply cord of the tool, prior to each use, for damage or wear. Repairs should be carried out by an authorised Triton service centre. This advice also applies to extension cords used with this tool

Cleaning

 **WARNING:** ALWAYS wear protective equipment including eye protection and gloves when cleaning this tool.

- Keep your tool clean at all times. Dirt and dust will cause internal parts to wear quickly, and shorten the device's service life
- Clean the body of your machine with a soft brush, or dry cloth
- Never use caustic agents to clean plastic parts. If dry cleaning is not sufficient, a mild detergent on a damp cloth is recommended
- Water must never come into contact with the tool
- Ensure the tool is thoroughly dry before using it
- If available, use clean, dry, compressed air to blow through the ventilation holes (where applicable)

Lubrication

- Slightly lubricate all moving parts at regular intervals with a suitable spray lubricant

Brushes

- Over time the carbon brushes inside the Motor (6) may become worn
- Excessively worn brushes may cause loss of power, intermittent failure, or visible sparking
- To replace the brushes, remove the two Brush Access Covers (9). Carefully remove the worn brushes (Image R) and ensure the sockets are clean. Carefully replace with new brushes and then replace the Brush Access Covers
- After fitting run the router without load for 2-3 minutes to help the brushes bed in. The process of the brushes fully bedding in may take repeated uses. Motor sparking may continue until new carbon brushes have bedded in
- Alternatively, have the machine serviced at an authorised service centre

Contact

For technical or repair service advice, please contact the helpline on (+44) 1935 382 222

Web: www.tritontools.com

UK Address:

Toolstream Ltd.
Boundary Way
Lufton Trading Estate
Yeovil, Somerset
BA22 8HZ, United Kingdom

EU Address:

Toolstream B.V.
Hogeweg 39
5301 LJ Zaltbommel
The Netherlands

Storage

- Store this tool carefully in a secure, dry place out of the reach of children

Disposal

Always adhere to national regulations when disposing of power tools that are no longer functional and are not viable for repair.

- Do not dispose of power tools, or other waste electrical and electronic equipment (WEEE), with household waste
- Contact your local waste disposal authority for information on the correct way to dispose of power tools

Troubleshooting

Problem	Possible cause	Solution
No function when On/Off Power Switch (8) is operated	No power	Check power supply
	Defective On/Off Power Switch	Replace the On/Off Power Switch at an authorised Triton service centre
Inaccurate cutting profile	Depth Stop (3) not correctly adjusted	Ensure that the Depth Stop corresponds to the maximum amount of cut permitted by the Turret Stops (1)
	Incorrectly fitted or loose router bit/Collet (24)	Tighten router bit/Collet and cutter assembly
Router will not operate	No supply of power	Check that power is available at source
	Brushes worn or sticking	Disconnect power, open Brush Access Covers (9) and ensure brushes are not damaged or heavily worn
	Switch is faulty	Have the tool serviced by an authorised Triton service centre
	Motor components faulty or short circuited	
Router runs or cuts slowly	Blunt or damaged cutter	Re-sharpen or replace cutter
	Speed Controller (10) set low	Increase variable speed setting
	Motor is overloaded	Reduce pushing force on router
Excessive vibration	Incorrectly fitted or loose router bit	Refit or tighten router bit
	Bent or damaged router bit	Replace router bit
Heavy sparking occurs inside motor housing	Brushes not moving freely	Disconnect power, remove brushes, clean or replace
	Damaged or worn motor	Have the tool serviced by an authorised Triton service centre
Micro Winder (20) "clicks" or not adjusting	Plunge Lock Lever (11) engaged	Release Plunge Lock Lever
	Reached end of adjustment range	Reset the Micro Winder and set depth with the Depth Stop (3)
Makes an unusual sound	Mechanical obstruction	Have the tool serviced by an authorised Triton service centre
	Damage to internal windings	

Guarantee

To register your guarantee visit our web site at tritontools.com* and enter your details.

Purchase Record

Date of Purchase: ___ / ___ / ___

Model: **TRA001**

Retain your receipt as proof of purchase.

Triton Precision Power Tools guarantees to the purchaser of this product that if any part proves to be defective due to faulty materials or workmanship within 3 YEARS from the date of original purchase, Triton will repair, or at its discretion replace, the faulty part free of charge.

This guarantee does not apply to commercial use nor does it extend to normal wear and tear or damage as a result of accident, abuse or misuse.

* Register online within 30 days.

Terms & conditions apply.

This does not affect your statutory rights

Australian Warranty Information

You may wish to register your product at www.tritontools.com but you are not under any obligation to do so.

Our goods come with guarantees that cannot be excluded under the Australian Consumer Law.

You are entitled to a replacement or refund for a major failure and for compensation for any other reasonably foreseeable loss or damage. You are also entitled to have the goods repaired or replaced if the goods fail to be of acceptable quality and the failure does not amount to a major failure.

This product is guaranteed against faulty materials and workmanship for 3 YEARS from the date of purchase. Please retain your receipt as proof of purchase.

This warranty does not cover defects caused by or resulting from:

- (a) misuse, abuse or neglect;
- (b) trade, professional or hire use;
- (c) repairs attempted by anyone other than our authorised repair centres; or
- (d) damage caused by foreign objects, substances or accident.

Warranty Exclusions

Wearing parts, consumable items or service-related parts required when performing normal and regular maintenance of this product are not covered by the warranty unless it is found to be defective by an Authorised Service Centre.

Distributed in Australia by Carbatec:

Carbatec Pty Ltd, 128 Ingleston Road, Wakerley, QLD 4154

Enquiries

Email: callcentre@carbatec.com.au

Freecall number: 1800 658 111

The Carbatec policy is one of continuous improvement and the company reserves the right to alter designs, colours and specifications without notice.

Vertaling van de originele instructies

Introductie

Hartelijk dank voor de aankoop van dit Triton-product. Deze handleiding omvat informatie die nodig is voor een veilig en efficiënt gebruik van dit product. Dit product is in het bezit van unieke kenmerken en, zelfs indien u bekend bent met gelijkaardige producten, is het nodig om deze handleiding aandachtig door te lezen om er zeker van te zijn dat u de instructies volledig begrijpt. Zorg ervoor dat alle gebruikers van het product deze handleiding volledig gelezen en begrepen hebben. Bewaar deze gebruiksaanwijzing voor toekomstig gebruik.

Beschrijving van de symbolen

Op het typeplaatje van uw gereedschap kunnen symbolen voorkomen. Deze vertegenwoordigen belangrijke informatie met betrekking tot het product of instructies met betrekking tot het gebruik ervan.



Draag gehoorbescherming
Draag een veiligheidsbril
Draag een stofmasker
Draag een veiligheidshelm



Draag handschoenen



WAARSCHUWING: Om het risico op letsel te verminderen, moet de gebruiker de handleiding lezen



Voorzichtig!



WAARSCHUWING: Scherpe messen of tanden!



Gebruik niet bij regen of in vochtige omstandigheden!



Ontkoppel de machine van de stroombron voor het maken van aanpassingen, het verwisselen van accessoires, het schoonmaken, het uitvoeren van onderhoud en wanneer de machine niet in gebruik is!



Stofafvoer vereist of aanbevolen



Klasse II constructie (dubbel geïsoleerd voor bijkomende bescherming)



Milieubescherming

Elektrische producten mogen niet met het normale huisvuil worden weggegooid. Recycle bij bestemde faciliteiten. Vraag de plaatselijke autoriteiten of de verkoper om advies.



Voldoet aan de relevante wetgeving en veiligheidsnormen.

Technische afkortingen

V	Volt
~	Wisselstroom
A	Ampere
Hz	Hertz
W, kW	Watt, kilowatt
min ⁻¹	Revoluties per minuut

Specificaties

Model nr:	TRA001
Spanning:	220 - 240 V~ 50/60 Hz
Maximale ingangsstroom:	9,1 A
Uitgangsspanning:	2400 W
Onbelaste snelheid:	8000 - 21.000 min ⁻¹
Spantang:	VK/EU: ½" en 12 mm AUS/SA: ½" en ¼"
Maximale snijdiameter:	55 mm (50 mm bij gebruik met TWX7RT001)
Maximale spantangmaat:	½" (RUS 12,7 mm)
Hoogte aanpassing:	1) Vrije invaldiepte 2) Draaihendel 3) Micro verstelknop (fijn afsteller)
Invaldiepte bereik:	0-68 mm
Beschermingsgraad:	IPX0
Beschermingsklasse:	□
Lengte stroomsnoer:	3 m
Afmetingen (L x B x H):	180 x 300 x 310 mm
Gewicht:	6,5 kg

In het kader van onze voortgaande productontwikkeling kunnen de specificaties van Triton-producten zonder voorafgaande kennisgeving worden gewijzigd.

Geluids- en trilling gegevens	
Geluidsdruk L_{pA} :	84,2 dB(A)
Geluidsvermogen L_{wA} :	95,2 dB(A)
Onzekerheid K:	3 dB(A)
Gewogen trilling $a_{h,1}$:	5,4 m/s ²
Onzekerheid K:	1,5 m/s ²
De geluidsintensiteit voor de bediener kan 85 dB(A) overschrijden en de gehoorbescherming is noodzakelijk.	

⚠ WAARSCHUWING: Bij een geluidsintensiteit van 85 dB(A) of hoger is het dragen van gehoorbescherming en het limiteren van de blootstellingstijd vereist. Bij oncomfortabel hoge geluidsniveaus, zelfs met gehoorbescherming, dient u het gebruik van de machine onmiddellijk te stoppen. Controleer de pasvorm en ook of het geluidsdempingsniveau is aangepast aan het geluidsniveau dat door uw gereedschap wordt geproduceerd.

⚠ WAARSCHUWING: Blootstelling van een gebruiker aan trillingen van het gereedschap kan aanleiding geven tot gevoelloosheid, een dof gevoel, tintelingen, en een verminderd gripvermogen. Langdurige blootstelling kan aanleiding geven tot een chronische conditie. Limiteer de blootstellingsduur en draag anti-vibratie handschoenen. Vibratie heeft een grotere invloed op handen met een temperatuur lager dan een normale, comfortabele temperatuur. Maak gebruik van de informatie in de specificaties met betrekking tot trillingen om de duur en de frequentie te berekenen waarmee het gereedschap kan gebruikt worden.

⚠ WAARSCHUWING: Deze informatie is geen weerspiegeling van de werkelijke duur van bescherming op de werkplek omdat er daar sprake is van bijkomende factoren die de prestatie beïnvloeden, zoals temperatuur, schurende werking, degradatie, enzovoort. Om adequate veiligheidsmaatregelen te kunnen nemen om de gebruiker te beschermen, moet bij een nauwkeurige schatting van de trilling belasting ook rekening worden gehouden met de tijden waarop de machine wordt uitgeschakeld of de machine ingeschakeld is, maar niet daadwerkelijk wordt gebruikt.

De opgegeven totale trilling waarde is gemeten volgens een standaard testmethode en kan worden gebruikt om het ene gereedschap met het andere te vergelijken. De opgegeven totale trilling waarde kan ook worden gebruikt bij een voorlopige beoordeling van de blootstelling.

Geluids- en trillingsniveaus in de specificaties zijn bepaald in overeenstemming met internationale normen. De waarden gelden voor een normaal gebruik van het gereedschap in normale omstandigheden. Een slecht onderhouden, verkeerd geassembleerd, of verkeerd gebruikt gereedschap kan aanleiding geven tot hogere geluids- en trillingsniveaus. www.osha.europa.eu geeft informatie met betrekking tot geluids- en trillingsniveaus op de werkplek, informatie die nuttig kan zijn voor huishoudelijke gebruikers die het gereedschap gedurende langere tijd gebruiken.

Algemene veiligheid voor elektrisch gereedschap

⚠ WAARSCHUWING: Lees alle veiligheidswaarschuwingen, instructies, illustraties, en specificaties die met dit gereedschap meegeleverd worden. Het niet naleven van alle hiernavolgende instructies kan resulteren in elektrische schokken, brand en/of ernstig letsel.

Bewaar deze voorschriften voor toekomstig gebruik.

De term "elektrisch gereedschap" in alle hieronder vermelde waarschuwingen heeft betrekking op uw elektrische gereedschap dat op de stroom is aangesloten (met een snoer) of met een accu wordt gevoed (snoerloos).

1) Veiligheid in de werkruimte

- Houd de werkruimte schoon en zorg voor een goede verlichting.** Rommelige en donkere ruimtes leiden vaak tot ongelukken.
- Werk niet met elektrisch gereedschap in explosieve omgevingen, bijvoorbeeld in de aanwezigheid van ontvlambare vloeistoffen, gassen of stof.** Elektrisch gereedschap brengt vonken teweeg die stof of dampen kunnen doen ontbranden.
- Houd kinderen en omstanders uit de buurt wanneer u elektrisch gereedschap bedient.** Door afleiding kunt u de controle over het gereedschap verliezen.

2) Elektrische veiligheid

- De stekkers van het elektrische gereedschap moeten passen bij het stopcontact. Pas de stekker niet aan. Gebruik geen adapterstekkers in combinatie met geaard elektrisch gereedschap.** Het gebruik van ongewijzigde stekkers en passende stopcontacten vermindert het risico op een elektrische schok.
- Vermijd lichamelijk contact met geaarde oppervlakken zoals pijpen, radiatoren, fornuizen en koelkasten.** Het risico op een elektrische schok neemt toe als uw lichaam geaard wordt.
- Laat elektrisch gereedschap niet nat worden.** Wanneer elektrisch gereedschap nat wordt, neemt het risico op een elektrische schok toe.
- Beschadig het snoer niet. Gebruik het snoer nooit om het elektrisch gereedschap te dragen, te trekken of om de stekker uit het stopcontact te trekken. Houd het snoer uit de buurt van hitte, olie, scherpe randen of bewegende delen.** Een beschadigde of in de knoop geraakte snoer verhoogt het risico op een elektrische schok toe.
- Wanneer u elektrisch gereedschap buiten gebruikt, maak dan gebruik van een verlengsnoer dat geschikt is voor gebruik buitenshuis.** Gebruik een verlengsnoer dat geschikt is voor gebruik buitenshuis om het risico op een elektrische schok te verminderen.
- Indien het onvermijdelijk is elektrisch gereedschap te gebruiken in een vochtige omgeving, gebruik dan een energiebron met een aardlekschakelaar (Residual Current Device).** Het gebruik van een RCD vermindert het risico op een elektrische schok.

- g) Bij het gebruik in Australië of Nieuw-Zeeland, is het aanbevolen de machine te allen tijde met gebruik van een aardlekschakelaar met een maximale lekstroom van 30 mA te gebruiken.
- h) **Gebruik een geschikt verlengsnoer. Vergewis u ervan dat het snoer dat u gebruikt in perfecte staat verkeert. Wanneer u gebruik maakt van een verlengsnoer, vergewis u er dan van dat het zwaar genoeg is om de stroom te geleiden die uw product zal trekken.** Een te zwak snoer zal een spanningsval op de lijn veroorzaken, met als gevolg een vermogensverlies en een oververhitting.
- 3) **Persoonlijke veiligheid**
- a) **Blijf alert en gebruik uw gezonde verstand wanneer u elektrisch gereedschap bedient. Gebruik het elektrisch gereedschap niet wanneer u vermoed bent of onder invloed bent van drugs, alcohol of medicijnen.** Onoplettendheid tijdens het bedienen van elektrisch gereedschap kan leiden tot ernstig letsel.
- b) **Maak gebruik van persoonlijke bescherming. Draag altijd een veiligheidsbril.** Passende bescherming voor de omstandigheden, zoals een stofmasker, niet-slippende veiligheidschoenen en helm of gehoorbescherming, vermindert het risico op persoonlijk letsel.
- c) **Zorg ervoor dat het apparaat niet per ongeluk wordt gestart. Controleer of de schakelaar in de 'uit' stand staat voordat u de stekker in het stopcontact steekt.** Het dragen van elektrisch gereedschap met uw vinger op de schakelaar of het aansluiten op de stroom van elektrisch gereedschap met de schakelaar ingeschakeld kan tot ongelukken leiden.
- d) **Verwijder alle stel- of moersleutels voordat u het elektrische gereedschap inschakelt.** Een moer- of stelsleutel die zich op een draaiend onderdeel van het elektrische gereedschap bevindt, kan leiden tot letsel.
- e) **Reik niet te ver. Blijf altijd stevig en in balans staan.** Zo houdt u meer controle over het elektrische gereedschap in onverwachte situaties.
- f) **Draag geschikte kleding. Draag geen loshangende kleding of sieraden. Houd haren, kleding en handschoenen uit de buurt van bewegende delen.** Loshangende kleding, sieraden en los hangende haren kunnen vast komen te zitten in bewegende delen.
- g) **Als er onderdelen voor stofafvoer- en stofverzameling worden meegeleverd, sluit deze dan aan en gebruik deze op de juiste wijze.** Het gebruik van deze onderdelen kan het risico op stof gerelateerde ongelukken verminderen.
- h) **Laat vertrouwdheid door het veelvoudig gebruik van gereedschap u niet zelfgenoegzaam maken en negeer nooit de veiligheidsprincipes.** Een roekeloze handeling kan in een fractie van een seconde een ernstige verwonding veroorzaken.
- 4) **Gebruik en verzorging van elektrisch gereedschap**
- a) **Forceer elektrisch gereedschap niet. Gebruik elektrisch gereedschap dat geschikt is voor het werk dat u wilt uitvoeren.** Geschikt elektrisch gereedschap werkt beter en veiliger op een passende snelheid.
- b) **Gebruik het elektrische gereedschap niet als de schakelaar van het apparaat niet in- en uitschakelt.** Elektrisch gereedschap dat niet bediend kan worden met de schakelaar is gevaarlijk en moet gerepareerd worden.
- c) **Haal de stekker uit het stopcontact voordat u instellingen aanpast, toebehoren verwisselt of het elektrische gereedschap opbergt.** Dergelijke voorzorgsmaatregelen verminderen het risico op het per ongeluk starten van het elektrische gereedschap.
- d) **Berg elektrisch gereedschap dat niet in gebruik is op buiten bereik van kinderen en laat mensen die niet bekend zijn met het elektrische gereedschap of met deze instructies het elektrische gereedschap niet bedienen.** Elektrisch gereedschap is gevaarlijk in de handen van onervaren gebruikers.
- e) **Onderhoud uw elektrisch gereedschap. Controleer op foutieve uitlijning of het vastslaan van bewegende delen, gebroken onderdelen en elke andere afwijking die de werking van het elektrische gereedschap zou kunnen beïnvloeden.** Indien het elektrische gereedschap beschadigd is, moet u het laten repareren voordat u het weer gebruikt. Veel ongelukken worden veroorzaakt door slecht onderhouden elektrisch gereedschap.
- f) **Houd snijwerktuigen scherp en schoon.** Goed onderhouden snijwerktuigen met scherpe messen slaan minder snel vast en zijn gemakkelijker te bedienen.
- g) **Gebruik het elektrische gereedschap, de accessoires en onderdelen, etc. volgens deze instructies en volgins bestemming voor het specifieke type elektrisch gereedschap, en houd daarbij rekening met de werkomstandigheden en het uit te voeren werk.** Gebruik van elektrisch gereedschap voor werkzaamheden die verschillen van die waarvoor het apparaat bestemd is, kan leiden tot gevaarlijke situaties.
- h) **Houd de grepen droog, schoon, en vrij van olie en vet** Glibberige handvaten en grepen zijn niet veilig te gebruiken en zorgen voor minder controle in onverwachte situaties.
- 5) **Onderhoud**
- a) **Laat uw apparaat onderhouden door een gekwalificeerde vakman en gebruik alleen identieke vervangstukken.** Zo bent u er zeker van dat de veiligheid van het elektrische gereedschap gewaarborgd blijft.

Bovenfrees veiligheid

WAARSCHUWING

- **Houdt de machine enkel bij de geïsoleerde oppervlakken vast. Wanneer het frees bij in contact komt met het stroomsnoer of enige andere stroomdraden komen de metalen onderdelen mogelijk onder stroom te staan wat kan resulteren in elektrische schok.**
- **Zet het werkstuk met gebruik van klemmen of andere hulpmiddelen op een stevig werkoppervlak vast.** Wanneer u het werkstuk in uw hand vasthoudt of tegen uw lichaam klemt, is de kans op ongelukken extreem groot.
- **Laat het stroomsnoer wanneer nodig door de fabrikant vervangen om de kans op gevezen en persoonlijk letsel te voorkomen**
- **Het is aanbevolen de machine te gebruiken met een aardlekschakelaar met een maximale lekstroom van 30 mA**

- a) Draag de juiste beschermende uitrusting, inclusief een veiligheidsbril, gehoorbescherming, een stofmasker en beschermende kleding inclusief handschoenen
- b) Lappen, kleden, snoeren, koorden en dergelijke mogen nooit in het werkgebied rondslingeren
- c) Controleer of de spanning van de stroombron gelijk is aan de spanning vermeld op het gegevensplaatje van de freesmachine
- d) Indien u een verlengsnoer nodig hebt, dient u ervoor te zorgen dat het de juiste ampèrewaarde heeft voor uw elektrische gereedschap en in goede staat verkeerd
- e) Rol verlengsnoeren op een kabelhaspel volledig uit om mogelijke oververhitting te voorkomen
- f) Gebruik geschikte detectors om te controleren of kabels en leidingen onder het werkoppervlak verborgen zitten. Vraag nutsbedrijven wanneer nodig om hulp. De aanraking met elektriciteitsdraden resulteert mogelijk in elektrische schok en/of brand. Het beschadigen van een gasleiding resulteert mogelijk in explosie. Het contact met waterleidingen resulteert mogelijk in ernstige schade aan eigendommen
- g) Zorg ervoor dat u vreemde objecten zoals spijkers en schroeven uit het werk hebt verwijderd voordat u begint
- h) Wees voorzichtig met frees bits, ze kunnen erg scherp zijn
- i) Controleer de frees bits voor gebruik zorgvuldig op beschadigingen of scheurtjes. Vervang beschadigde of gescheurde bits onmiddellijk
- j) Zorg ervoor dat frees bits goed onderhouden worden en scherp zijn. Botte frees bits leiden mogelijk tot controle verlies, hitte en persoonlijk letsel
- k) Gebruik beide handvaten en zorg ervoor dat u de freesmachine stevig vast hebt voordat u het freeswerk start
- l) Houdt de handvaten en grip oppervlakken droog, schoon en vrij van olie en vet zodat de machine stevig vast gehouden kan worden tijdens het werk
- m) Voordat u het frezen met de machine start, schakelt u de machine in en laat u deze enige tijd lopen. Overmatige trilling duidt mogelijk op een onjuist gemonteerde frees bit
- n) Let goed op de rotatierichting van het frees bit en de werkrichting
- o) Houd uw handen uit de buurt van het draaiende frees bit. Houd de extra handgreep of een geïsoleerd grijppoppervlak vast met uw tweede hand
- p) Start de boven frees NOOIT terwijl de frees het werkstuk raakt
- q) Zorg ervoor dat de weerstandveer altijd gemonteerd is wanneer u de boven frees uit de vrije hand gebruikt
- r) Zorg ervoor dat de frees volledig tot stilstand is gekomen alvorens naar de vergrendelpositie van de ashtals te gaan
- s) De maximale snelheid van het frees bit dient minimaal even hoog te zijn als de onbelaste snelheid van de machine
- t) Delen van frees bits worden tijdens gebruik mogelijk heet. Laat de bits na gebruik afkoelen voordat u ze aanraakt.
- u) Warme/hete onderdelen mogen niet in contact komen met ontvlambare materialen
- v) De schacht van het frees bit dient overeen te komen met de maat van de ashtals op de machine. Onjuist bevestigde bits roteren onregelmatig wordt zorgt voor trillingen, waardoor u de controle over de machine mogelijk verliest
- w) Wanneer de machine is ingeschakeld dient de as-vergrendelknop niet ingedrukt te worden en dient de machine niet in bit wissel stand geschakeld te worden
- x) Oefen tijdens de volledige doorgang een gelijke druk op de machine uit zodat het frees bit de snelheid aangeeft. Forceer de machine niet door het werkstuk
- y) Zorg ervoor dat het typeplaatje en de veiligheidswaarschuwingen op de machine te allen tijde duidelijk leesbaar zijn en vervangen worden wanneer beschadigd
- z) Het frees bit kan te allen tijde plotseling in het werkstuk klem komen te zitten waardoor u de controle over de machine mogelijk verliest. Houdt de machine stevig met beide handen vast en laat de aan-/uitschakelaar in een dergelijk geval onmiddellijk los
- Controleer of het frees bit centraal roteert, niet wiebelt en niet zorgt voor trillingen wanneer u de machine inschakelt. Het gebruik van de machine met een onjuist bevestigd frees bit kan leiden tot controleverlies over de machine ne serieus persoonlijk letsel
 - Let er in het bijzonder voor op dat u de motor niet overbelast wanneer u frezen gebruikt met een diameter groter dan 50 mm. Maak gebruik van zeer langzame snelheden en/of meerdere ondiepe freesnedes om overbelasting van de motor te voorkomen
 - Schakel de machine uit en wacht tot het frees bit volledig tot stilstand is gekomen voordat u de boven frees uit het werkstuk haalt
 - Neem de stekker uit het stopcontact voordat u aanpassingen maakt of onderhoud verricht aan de boven frees
 - Zelfs indien men dit gereedschap gebruikt zoals voorgeschreven, is het onmogelijk om alle risicofactoren te elimineren. Indien u twijfels hebt met betrekking tot het veilige gebruik van dit gereedschap, gebruik het dan niet

⚠ WAARSCHUWING: Het stof dat wordt geproduceerd bij het werken met sommige materialen kan giftig zijn. Sommige materialen kunnen chemisch behandeld of gecoat zijn en vormen een giftig gevaar. Sommige natuurlijke en composietmaterialen kunnen giftige chemicaliën bevatten. Sommige oudere verven kunnen lood en andere chemicaliën bevatten. Vermijd langdurige blootstelling aan stof dat vrijkomt bij het gebruik van een freesmachine. Laat het stof niet in contact komen met de huid en ogen en voorkom de ingang van stof in de mond zodat het niet geabsorbeerd wordt. Werk, wanneer mogelijk, in een goed geventileerde ruimte. Het dragen van een stofmasker en het gebruik van een stof ontginningssysteem is aanbevolen. Bij een hoge blootstellingsfrequentie is het nemen van sterkere beschermende maatregelen erg belangrijk.

Productonderdelen

1. Revolver stops
2. Span kop
3. Diepte stop
4. Zij ventilatiegaten
5. Dieptestop vergrendelknop

6. Motor
7. Intrekkende stroomschakelaar afdekking
8. Aan/uit-schakelaar
9. Koolstofborstel toegangsdoppen
10. Snelheid controlewiel:
11. Vrije inval vergrendelhendel
12. Beschermkappen
13. Basisplaat montageknoppen
14. Tafel hoogte verstelhendel bevestigingspunt
15. Stofpoort
16. Automatische as-vergrendeling
17. Draaihandvat koppeling
18. Vrije inval selectieknop
19. Draaihandvat
20. Micro stelhendel
21. Vrije inval veer toegangsdop
22. Bypass-sleutelverbinding NVR bypass (no voltage release - vrijgave na spanningsverlies)
23. Geleider
24. Spantang
25. Tafelhoogteschroef
26. Sleutel
27. Montage cirkel snijden
28. Verlengde basisplaat
29. Bypass-sleutel

Afb. II

- A. ¼ UNC x 4
- B. M6 x 3
- C. Tafelhendel inkeping

Gebruiksdoel

Vrije inval hand bovenfrees, te gebruiken voor het frezen van profielen, groeven, randen en langwerpige gaten in natuurlijk en composiet hout. Wordt ook gebruikt met geleidebussen en sjablonen voor het frezen van vormen en het volgen van patronen. Geschikt voor stationaire installatie in de Triton freestafelmodule voor het Triton Workcentre, en andere geschikte tafelsystemen mogelijk.

Niet voor commercieel gebruik.

Gebruik de machine enkel voor doeleinden waarvoor het bedoeld is. Elk ander gebruik dan vermeld in deze handleiding wordt beschouwd als een geval van misbruik. De gebruiker, niet de fabrikant, is aansprakelijk voor schade en/of letsel resulterend uit misbruik. De fabrikant is niet aansprakelijk voor eventuele wijzigingen aan het gereedschap, noch voor enige schade als gevolg van dergelijke wijzigingen.

Het uitpakken van uw gereedschap

- Pak uw toestel / gereedschap uit. Inspecteer het en zorg dat u met alle kenmerken en functies vertrouwd raakt
- Controleer of alle onderdelen aanwezig zijn en in goede staat verkeren.

Voorafgaand aan het gebruik

! **WAARSCHUWING:** Ontkoppel de machine van de stroombron voordat u accessoires wisselt of enige aanpassingen maakt.

! **WAARSCHUWING:** Tijdens langer gebruik of wanneer de frees werd getransporteerd of is gevallen, dient men te controleren of de toegangsdop (21) voor de inval veer correct gelokaliseerd is en stevig vast zit. Ze dient parallel te lopen aan het lichaam van het gereedschap, zonder zichtbare vrije ruimte, en de borgschroef dient correct gelokaliseerd te zijn om te voorkomen dat de toegangsdop per ongeluk loskomt, zie afbeelding O. De inval veer staat onder voldoende spanning om ernstig letsel te kunnen veroorzaken wanneer ze verwijderd en vervangen wordt. Volg steeds nauwkeurig de instructies wanneer de inval veer verwijderd en vervangen wordt.

Spantang en frees bit installatie

Opmerking: Bij het installeren van spantangen en frees bits is het dragen van beschermende handschoenen aanbevolen.

1. Plaats de bovenfrees ondersteboven op een vlak oppervlak met de motor (6) stationair en de stroomsnoer ontkoppeld van de stroombron.
2. Druk de bovenfrees volledig naar beneden door de koppeling (17) (afb. B) in te drukken (Afbeelding B) en handvat (19) rechtsom te draaien tot de spantang (24) onder de basis uitsteekt.

Opmerking: Zorg ervoor dat de dieptestop (3) volledig ingeschoven is (zie 'Diepteanslag en revolver'). De spantang moet door de basis uitsteken, zodat de sleutel gemakkelijk toegankelijk is.

3. Gebruik de meegeleverde sleutel (26) om de spantang los te draaien door hem tegen de klok in te draaien totdat u hem verwijderd.
4. Selecteer de gewenste spantang en installeer deze in de spankop (2) door de spantang met de klok mee in te draaien.
5. Steek uw frees bit volledig in de spantang en zorg ervoor dat minimaal 20 mm of de halve schacht lengte (afhankelijk van welke groter is) in de spantang valt. Gebruik de spantang sleutel om de spantang licht te draaien zodat de vergrendeling inschakelt (afb. C). Draai de sleutel rechtsom om de spantang vast te draaien (afb. C). Eenmaal ingeschakeld, draait u de sleutel met de klok mee om de frees bit vast te zetten.
6. Stel de bovenfrees weer op de normale werkdiepte in. De spantang vergrendeling ontkoppeld en de afdekklaaf van de schakelaar komt vrij, zodat u weer bij de aan/uit stroomschakelaar (8) kunt.

Stofpoort

Opmerking: De Triton bovenfrees is voorzien van een stofpoort (15) voor het afvoeren van stof en span boven de freessnede. De poort is geschikt voor een slang met een buiten diameter van 38 mm, die geleverd wordt bij het Triton stofopvangsysteem (DCA300).

- De stofafzuigslang wordt op zijn plaats geschroefd via een linkse schroefdraad (tegen de klok in) (afb. D).

Optionele stofkoker

- Er is een optionele stofkoker verkrijgbaar bij uw Triton handelaar voor een effectieve spaanderafvoer langs het freesgebied. Het kan worden aangesloten op elke slang met een buiten diameter van 38 mm (afb. E).

Verlengde basisplaat en geleider installatie

1. Draai de twee basisplaat montageknoppen (13) los. Zo kunnen de montagetabs in de vergrendelgaten op de verlengde basisplaat (28) geplaatst worden.
2. Draai de bovenfrees en de verlengde basisplaat ondersteboven.
3. Druk de basisplaat montageknoppen op de bovenfrees in om de tabs vrij te geven.
4. Lijn de montagetabs met de vergrendelgaten op de verlengde basisplaat uit en schuif deze in de sleuven (afb. K)

Let op: De positie van de verlengde basisplaat hangt af van waar ondersteuning vereist is. Voor randwerk plaatst u de aan/uit stroomschakelaar (8) op de korte overhangzijde van de basis.

5. Draai de basisplaat montageknoppen op de bovenfrees stevig vast om de bovenfrees op de verlengde basisplaat te vergrendelen.
6. Om de geleider (23) te bevestigen, draait u de geleider knoppen los en schuift u de geleider langs de rails op de verlengde basisplaat (afb. L). Vergrendel op de gewenste instelling door beide geleider knoppen vast te draaien.

Opmerking: Bij het frezen van groeven op een afstand van de rand, bevestigd u de geleider op de lange zijde van de verlengde basisplaat.

Opmerking: Bij randfrezen met een frees bit zonder lager, bevestigd u de geleider op de korte zijde van de basisplaat (afb. J)

Opmerking: Bij het gebruik van frees bits met een grote diameter is het mogelijk rechte houten blokken via gaten op de geleider oppervlakken te bevestigen, om contact tussen het frees bits en de geleider te voorkomen.

Gebruik

⚠ WAARSCHUWING: Bij het gebruik van de machine is het dragen van de geschikte beschermende uitrusting, waaronder werkhandschoenen aanbevolen.

Het in- en uitschakelen van de machine

Opmerking: Wanneer de machine aangesloten wordt op de stroombron, verlicht de stroomschakelaar (zowel in de aan- als uitstand).

Opmerking: De intrekken stroomschakelaar afdekking (7) voorkomt accidentele inschakeling van de machine. Voordat u de machine in kunt schakelen schuift u de afdekking open. De afdekking blijft open tot de machine wordt uitgeschakeld.

1. Zorg ervoor dat de bovenfreeskop volledig omhoog staat zodat het frees bit uit de boven ligt van enige vreemde voorwerpen rondom de machine.
2. Sluit het netsnoer aan op het lichtnet en schuif het afdekking van de intrekbare aan/uit-schakelaar terug om de aan/uit-schakelaar te onthullen.
3. Plaats de stroomschakelaar in de 'I' positie om de machine in te schakelen. Terwijl de aan/uit-schakelaar in deze positie staat, wordt voorkomen dat de intrekbare afdekking van de aan/uit-schakelaar de aan/uit-schakelaar opnieuw afdekt.

4. Om UIT te schakelen, drukt u op de aan/uit-schakelaar in de 'O'-positie. De intrekken kap van de aan/uit-schakelaar schuift terug naar zijn oorspronkelijke positie.

Variabele snelheidscontrole

Opmerking: De freessnelheid is niet van bedenkelijke aard. Gebruik algemeen een zo hoog mogelijke snelheid welke niet resulteert in brandplekken op het werkstuk. Gebruik, wanneer vermeld, de maximale snelheid weergegeven door de fabrikant.

- Het gebruiken met een te lage rotatie verhoogt de kans op het beschadigen van de machine. Voed de machine langzaam door het werkstuk en/of maak meerdere ondiepte sneden voor een beter resultaat.
- De snelheidsregelaar (10) is gemarkeerd van 1 tot 5, wat ongeveer overeenkomt met de onderstaande snelheden en freesdiameters. Draai de regelaar om de snelheid te selecteren.

Stand	Snelheid (min ⁻¹)	Frees diameter
5	21.000	Tot 25 mm
4	18.000	25 - 50 mm
3	14.500	50 - 65 mm
2	11.000	Meer dan 65 mm
1	8000	Gebruik alleen wanneer brandplekken verschijnen

Freesdiepte instelling

BELANGRIJK:

HET INVALMECHANISME ZAL BESCHADIGD WORDEN INDIEN U DEZE INSTRUCTIES NIET OPVOLGT.

Vergewis u er STEEDS van dat de inval vergrendelhendel (11) los staat door hem in de hoogste positie te plaatsen, alvorens de invaldiepte aan te passen met behulp van de onderstaande methodes "Vrije invaldiepte verstelling" of "Schroefinstelling".



Opmerking: Om de bovenfrees op een bepaalde snedediepte te vergrendelen, steekt u de bovenfreeskop naar beneden en draait u de invalvergrendelhendel (11) naar de laagste stand. Dit houdt de freeskop in deze positie.

- Er zijn drie methodes om de freesdiepte in te stellen, afhankelijk van de vereiste nauwkeurigheid en controle:

Vrije invaldiepte verstelling

1. Vrije invaldiepte verstelling kunnen met de vrije inval selectieknoop (18) gemaakt worden. Druk deze diep naar binnen in het handvat tot hij vast klikt (afb. A).
2. **Los de inval vergrendelhendel (11)** en duw tegen de behuizing van de bovenfrees tot de gewenste diepte is bereikt. Zet de blokkeerhendel weer vast.

Draaihendel verstelling

1. Invaldiepte verstellingen zijn te maken door het draaien van het draaihandvat (19).
2. Ontgrendel de inval selectieknoop (18) en zorg ervoor dat de knop evenwijdig aan het handvat ligt.
3. Om het handvat te verlossen, trekt u de koppelring (17) naar binnen (afb. B).
4. **Los de inval vergrendelhendel (11)** en draai het handvat tot de gewenste diepte bereikt is. Verlos de koppelring en vergrendel het handvat.

Micro verstelhendel

Opmerking: Alleen te gebruiken in de vrije inval draaihendel (19) verstelstand.

1. Ontgrendel de diepteverstelling selectieknoop (18) en **zorg ervoor dat de vergrendelhendel (11) ontgrendeld is.**

Opmerking: Als de micro verstelknop (20) gedraaid wordt terwijl de blokkeerhendel vergrendeld is, begint de micro verstelknop te ratelen en verandert de freesdiepte niet.

2. Draai de verstelknop rechtsom om de freesdiepte te vergroten en linksom om de freesdiepte te verkleinen. Pas de snijdiepte aan totdat de gewenste hoogte is bereikt.

Let op: Wanneer het einde van het diepte instelbereik is bereikt, draait de microdraaier zwaarder en begint hij te ratelen.

3. Vergrendel de blokkeerhendel (10), vooral voor zwaar freeswerk.

Diepteaanslag en revolverstop

1. De dieptestop (3) en revolverstop (1) worden gebruikt voor een nauwkeurige opzet op drie verschillende freesdieptes
2. Draai de dieptestop vergrendelknop (5) los, trek de dieptestop volledig in en draai de vergrendelknop weer vast (afb. F).
3. Stel de revolver stops op de gewenste freesdiepte met gebruik van de schaalverdelingen op de revolver (afb. G).

Opmerking: Voor het aanpassen van de revolverpalen, draait u volledige revolverassemblage om deze uit te lijnen met de dieptestop.

4. Met de gewenste diepte op de spantang (24), verstel de vrije invaldiepte tot de punt van het frees bit het werkstuk raakt.
5. Draai de revolver tot de vaste revolverpaal in lijn valt met de dieptestop. Laat de dieptestop los, zodat deze op de paal kan springen en draai vervolgens de vergrendelknop van de dieptestop weer vast. De vrije invaldiepte is nu gesteld op '0'.
6. Draai de revolver stops totdat de revolverpaal met de gewenste invaldiepte is uitgelijnd met de dieptestop.

Optionele mal-geleide bussen

Verschillende geleide bussen zijn verkrijgbaar voor mal frezen. Accessoire sets zijn verkrijgbaar bij uw Triton handelaar.

Het maken van een freesnede

Opmerking: Hanteer de machine nooit uit de vrije hand zonder enige vorm van geleiding. Geleiding wordt verkregen via een frees bit met lager, de inbegrepen geleiders of een rechte rand (afb. I).

1. Houd de machine te allen tijde met beide handen bij de handvaten vast. Zorg ervoor dat het werkstuk niet kan bewegen. Gebruik klemmen wanneer mogelijk.
2. Laat de machine volledig op snelheid komen.
3. Verlaag het frees bit in het werkstuk en houdt de basisplaat te allen tijde vlak op het werkstuk.
4. Bij randfrezen dient de snede aan de linker zijde van het werkstuk gemaakt te worden (afb. I). Houd een constante druk en geleid het frees bit rustig door het werkstuk. Knopen en andere houtvariëaties vertragen het proces.

Opmerking: Om het breken van het frees bit te voorkomen, freest het bit linksom bij externe sneden en rechtsom bij interne sneden.

Opmerking: Het te snel bewegen van de machine resulteert in slechte kwaliteit sneden en overbelasting van de motor (6). Te langzame beweging resulteert in oververhitting van het werkstuk.

Opmerking: Bij normaal gebruik van de machine verlaagt u het frees bit nadat de machine is ingeschakeld.

Opmerking: Gebruik de machine niet ondersteboven tenzij de machine juist gemonteerd is op een geschikte freestafel (bijv. Triton merk).

Het maken van meerdere doorgangen

1. De revolverstop (1) laat de maximale freesdiepte in een door de gebruiker vastgestelde aantal stappen bereikt worden. Elke stap van de revolver kan vooraf ingesteld worden door het aanpassen van de duimschroef op de revolverpaal.
2. Draai de revolverstop zodat de dieptestop (3) de hoogste vooraf ingestelde revolverpaal raakt wanneer de bovenfrees zakt. De eerste snede kan nu gemaakt worden.
3. Ga door met het maken van passen, draai de revolverstop en pas de diepte van de revolverpaal aan voor elke pas indien nodig totdat de volledige snedediepte is bereikt.

Cirkel frezen

1. Monteer de verlengde basisplaat (28) zonder geleider (23) op de bovenfrees.
2. Verwijder de cirkel freesbasis (27) van de verlengde basisplaat en bevestig deze op het midden van uw werk met een kleine spijker of schroef door één van de gaten in de spilhouder (afb. M). Laat de spilbout op zijn plaats zitten.
3. Laat de bovenfrees en de basisplaat over de spilhouder zakken en zet de sluitring en vleugelmoer weer vast (afb. N).
4. Zet de aan-/uitschakelaar op "uit", draai de bovenfrees langs het beoogde pad om de cirkel te controleren en voer de benodigde aanpassingen uit.
5. Frees de cirkel in verscheidene gangen uit, waarbij u de freesdiepte bij elke gang zo'n 2 mm verlaagt (afb. N). Probeer niet om diep te frezen in één doorgang.

- Als u helemaal door het materiaal heen freest, maak dan een plank die u later kunt weggooiden aan de onderkant van uw werkstuk vast. Frees de cirkel ruim uit, en wanneer vervolgens de freesnede helemaal door het werk is gegaan, verkleint u de diameter en werkt u terug naar de gewenste maat, met lichte gangen op de volledige diepte.

Gebruik bij montage op een freestafel

⚠ WAARSCHUWING: Bij het gebruik met de TWX7RT001 Triton Workcenter freestafel module is de maximale dia. van de frees bit is 50 mm. Dit is weergegeven in de Workcenter specificaties.

Let op: Het monteren en gebruiken van de bovenfrees op de freestafel dient uitgevoerd te worden volgens de instructies van de freestafel.

Opmerking: Hoewel dit product is ontworpen voor een efficiënte en gemakkelijke bediening op de meeste freestafels, is het bijzonder geschikt voor gebruik met de Triton freestafelmodule TWX7RT001.

Opmerking: Aanpassingen van de freesmachine zijn uiterst eenvoudig met behulp van de unieke functies die eerder in de handleiding zijn beschreven. Zie: 'Spantang en frees bit installatie' en 'Freesdiepte verstelling'.

BELANGRIJK: De veer dient verwijderd te worden voordat de machine op een freestafel gemonteerd wordt:

1. Stel de bovenfrees in op het hoogste punt van zijn invalbereik en schakel de inval vergrendelhendel (11) in.
2. Draai de kleine schroef naast de veer toegangsdop (21) een aantal slagen los. (afbeelding O)
3. Oefen met de pal m van de hand een neerwaartse druk uit op de dop en pak hem stevig met de andere hand beet om te voorkomen dat de invalveer wegspringt bij het verwijderen van de dop. Terwijl u de neerwaartse druk blijft uitoefenen en de dop stevig blijft vasthouden, draait u de dop in tegenwijzerzin om hem te verwijderen (afbeelding P).

⚠ WAARSCHUWING: De invalveer staat onder grote spanning om een vlotte invalwerking mogelijk te maken. De toegangsdop tot de invalveer en de invalveer zullen snel ongecontroleerd omhoog schieten zodra de dop is losgeschroefd. Laat de dop niet op ongecontroleerde wijze los; dat zou aanleiding kunnen geven tot lichamelijke letsel.

4. Laat de toegangsdop zachtjes omhoog komen zodra hij is losgeschroefd (Afbeelding Q)
5. Verwijder de veer en berg ze op een veilige plaats op
6. Breng de dop opnieuw aan en zet de schroef vast

⚠ WAARSCHUWING: Bij het opnieuw aanbrengen van de invalveer dient u zich ervan te vergewissen dat de dop correct is vastgeschroefd. Ze dient parallel te lopen aan het lichaam van het gereedschap, zonder zichtbare vrije ruimte, en de borgschroef dient correct gelokaliseerd te zijn om te voorkomen dat de toegangsdop per ongeluk loskomt.

OPMERKING: Zorg ervoor dat u de invalveer terugplaatst voordat u de bovenfrees uit de vrije hand gebruikt.

BELANGRIJK: Voordat u de bovenfrees onder de freestafel monteert, moet u ervoor zorgen dat de dieptestop vergrendelknop (5) is losgemaakt en dat het vrije inval vergrendelhendel (11) in de ontgrendelde stand staat.

- De tafel hoogte stelhendel (25) schakelt in met het bevestigingspunt (14) voor snelle en gemakkelijke boven de tafel hoogte verstellingen, wanneer de bovenfrees op een tafel is gemonteerd.

Installeren van de NVR bypass-sleutel

De TRA001 is voorzien van een No Voltage Release functie (NVR) die voorkomt dat de motor automatisch start na een spanningsverlies. Om het gereedschap te resetten, dient de schakelaar opnieuw in de UIT-positie geplaatst te worden alvorens het gereedschap opnieuw in te schakelen. Wanneer gebruikt in combinatie met het TWX7 Workcenter (met TWX7RT001 freestafelmodule) of met een freestafel van een derde partij, die voorzien zijn van hun eigen NVR bescherming, kan deze functie overbrugd worden door de NVR bypass-sleutel (29) aan te brengen. Hierdoor wordt mogelijk gemaakt dat de AAN/UIT werking van het gereedschap gecontroleerd wordt door de AAN/UIT schakelaar op de freestafel.

1. Schroef de NVR bypass-sleutel in de NVR bypass-sleutelverbinding (22) en span aan met de hand (afbeelding T).
2. Zet de beugel vast op de onderzijde van het Workcenter (afbeelding U).
3. Schakel de frees IN en gebruik de AAN/UIT schakelaar van de tafel om de frees aan te sturen.

⚠ WAARSCHUWING: Gebruik de NVR bypass-sleutel ENKEL wanneer de frees is verbonden met een voedingsbron die op haar beurt is beveiligd door een NVR systeem, zoals het Triton TWX7 Workcenter. Zorg er STEEDS voor dat de beugel verbonden is met de freestafel, om te voorkomen dat de frees per ongeluk verwijderd wordt zonder de bypass-sleutel te verwijderen

Toegang tot de basisplaat Schroeven

1. Voor het monteren van een externe freestafel of een eigen gemaakte freestafel, verwijderd u de 4 schroeven van de basisplaat, aangeduid in afbeelding S, zodat u de basisplaat af kunt nemen
2. Er zijn 2 schroeven sets, als afgebeeld in afb. II. Er zijn 4 x 1/4" UNC-schroefdraden (A) die gebruikt worden voor het vergrendelen van de basisplaat en geschikt zijn voor tafelmontage en een alternatieve set met 3 x M6 schroeven (B).

Opmerking: De m6 schroeven zijn niet verkrijgbaar op de eerdere TRA001 bovenfreesen.

Accessoires

Verschillende accessoires en verbruiksmiddelen, waaronder verschillende frees bits, zijn verkrijgbaar bij uw Triton handelaar. Reserve onderdelen, inclusief geleide bussen en spantangen zijn verkrijgbaar op toolsaresonline.com

Onderhoud

⚠ WAARSCHUWING: Ontkoppel de machine van de stroombron voordat u de machine schoonmaakt of enig onderhoud uitvoert

Algemene inspectie

- Controleer regelmatig of alle bevestigingsmiddelen nog goed vast zitten.
- Inspecteer het stroomsnoer voor elk gebruik op slijtage en beschadiging. Reparaties dienen uitgevoerd worden bij een geautoriseerd Triton service center. Dit geldt tevens voor verlengsnoeren, gebruikt met de machine.

Schoonmaak

 **WAARSCHUWING:** Bij het schoonmaken van de eenheid is het dragen van de juiste beschermende uitrusting, waaronder een veiligheidsbril en handschoenen, aanbevolen.

- Houd uw machine te allen tijde schoon. Vuil en stof geven aanleiding tot een snelle slijtage van de interne onderdelen, en verkorten de levensduur van de machine.
- Maak het lichaam van het gereedschap schoon met een zachte borstel of met een droog doek.
- Gebruik nooit bijtende middelen om plastic onderdelen schoon te maken. Als een droge reiniging niet voldoende is, wordt een mild schoonmaakmiddel op een vochtige doek aanbevolen.
- De machine mag niet in contact komen met water.
- Zorg ervoor dat de machine volledig droog is voordat u deze gebruikt.
- Gebruik wanneer mogelijk zuivere, droge perslucht om door de luchtgaten te blazen.

Smeren

- Smeer alle bewegende onderdelen lichtjes en op regelmatige tijdstippen met behulp van een geschikt sproeismeermiddel.

Koolstofborstels

- Na verloop van tijd zullen de koolstofborstels in de motor (6) verslijten.
- Bij overmatige slijtage van de borstels verliest de motor mogelijk vermogen, start het niet meer, en/ of produceert het overmatig vonken.
- Om de borstels te vervangen, verwijdert u de toegangsdoppen (9). Verwijder de versleten koolstofborstels voorzichtig (afb. R) en zorg ervoor dat de contacten schoon zijn. Vervang de koolstofborstels en plaats de doppen terug op de machine.
- Laat de machine voor 2-3 minuten onbelast draaien om de koolstofborstels in te werken. Het volledig inwerken van de koolstofborstels vereist mogelijk herhaaldelijk gebruik. Totdat de koolstofborstels ingewerkt zijn vonkt de motor.
- Als alternatief laat u de borstels bij een erkend servicecenter vervangen.

Contact

Voor technische ondersteuning of voor reparatieadvies, gelieve contact op te nemen met de hulplijn op (+44) 1935 382 222

Web: www.tritontools.com

VK-Adres:

Toolstream Ltd.
Boundary Way
Lufton Trading Estate
Yeovil, Somerset
BA22 8HZ, Verenigd Koninkrijk

EU-Adres:

Toolstream B.V.
Hogeweg 39
5301 LJ Zaltbommel
Nederland

Opberging

- Berg de machine op een droge en veilige plek, buiten het bereik van kinderen op.

Afvoer en verwerking

Bij het buiten gebruik stellen en de afvoer van elektrische machines die niet langer werken en die niet gerepareerd kunnen worden, neemt u de nationale voorschriften in acht.

- Elektrische en elektronische apparaten (WEEE) mogen niet met huishoudelijk afval worden weggegooid
- Neem contact op met uw gemeente voor informatie betreffende de verwijdering en afvoer van elektrisch gereedschap

Probleemopsporing

Probleem	Mogelijke oorzaak	Oplossing
De machine werkt niet wanneer de stroomschakelaar (8) bedient wordt.	Geen stroom	Controleer de stroombron.
	Defecte aan/uit-schakelaar	Laat de aan/uit-schakelaar vervangen door een geautoriseerd Triton-servicecentrum.
Onnauwkeurig snijprofiel	Onjuist ingestelde dieptestop (3).	Zorg ervoor dat de dieptestop overeenkomt met de maximale hoeveelheid snede die is toegestaan door de revolver stop (1).
	Onjuist bevestigd frees bit / spantang (24).	Draai het frees bit/spantang en freessamenstelling vast.
De machine werkt niet	Geen stroomtoevoer	Controleer de stroomtoevoer
	Versleten koolstofborstels	Ontkoppel de machine van de stroombron, verwijder de koolstofborstel toegangsdoppen (9) en controleer de koolstofborstels.
	Foutieve schakelaar	Laat de machine bij een geautoriseerd service centrum onderhouden
	Foutieve motoronderdelen of kortsluiting	
Lage motorsnelheid	Bot of beschadigd frees bit	Slijp of vervang het frees bit
	Lage snelheid controlewiel (10) stand	Verhoog de snelheid instelling
	Overbelaste motor	Verminder de druk op de machine
Overmatige trillingen	Onjuist bevestigd of los freesbit	Bevestig het freesbit opnieuw of draai het freesbit vast.
	Gebogen of beschadigd freesbit.	Vervang het freesbit
Hevig vonken in de motorbehuizing	De koolstofborstels bewegen niet vrij	Ontkoppel de machine van de stroombron en bevestig de koolstofborstels opnieuw
	Beschadigde of versleten motor	Laat de machine bij een geautoriseerd service centrum onderhouden
Micro stelhendel (20) klikt en/of verstelt onjuist	De vergrendelhendel (11) in ingeschakeld	Verlos de vergrendelhendel
	Het einde van het stelbereik is bereikt	Reset de micro stelhendel en stel de diepte met de dieptestop (3)
Abnormaal geluid	Mechanische obstructie	Laat de machine bij een geautoriseerd service centrum onderhouden
	Beschadigde interne motoronderdelen	

Garantie

Om uw garantie te registreren, gaat u naar onze website op tritontools.com* en voert u uw gegevens in.

Aankoopgegevens

Datum van aankoop: ___ / ___ / ___

Model: **TRA001**

Bewaar uw aankoopbon als aankoopbewijs

Triton Precision Power Tools garandeert de koper van dit product dat indien een onderdeel defect is vanwege fouten in materiaal of uitvoering binnen 3 jaar na de datum van de oorspronkelijke aankoop, Triton het defecte onderdeel gratis repareert of, naar eigen inzicht, vervangt.

Deze garantie heeft geen betrekking op commercieel gebruik en strekt zich niet uit tot normale slijtage of schade ten gevolge van een ongeluk, verkeerd gebruik of misbruik.

* Registreer online binnen 30 dagen.
Algemene voorwaarden van toepassing.

Traduction des instructions originales

Introduction

Nous vous remercions d'avoir choisi ce produit Triton. Ces instructions contiennent les informations nécessaires au fonctionnement efficace et sûr de ce produit. Veuillez lire attentivement ce manuel pour vous assurer de tirer pleinement avantage des caractéristiques uniques de votre nouveau produit. Gardez ce manuel à portée de main et assurez-vous que tous les utilisateurs l'aient lu et bien compris avant toute utilisation. Veuillez conserver ces instructions et consignes de sécurité avec le produit pour toute référence ultérieure.

Description des symboles

La plaque signalétique figurant sur votre produit peut présenter des symboles. Ces symboles constituent des informations importantes relatives au produit ou des instructions concernant son utilisation



Port de protections auditives
Port de protections oculaires
Port de protections respiratoires
Port du casque



Port de gants



AVERTISSEMENT : pour limiter les risques de blessures, l'utilisateur doit impérativement lire et comprendre ce manuel avant d'utiliser le produit



Attention !



ATTENTION : dents ou lames tranchantes !



NE PAS utiliser sous la pluie ou dans un environnement humide !



TOUJOURS débrancher l'appareil avant d'effectuer un réglage, de changer d'accessoire, de le nettoyer, de l'entretenir, ou lorsqu'il n'est plus utilisé !



Dispositif d'évacuation de la poussière nécessaire ou vivement recommandé.



Construction de classe II (double isolation pour une protection supplémentaire)



Protection de l'environnement.

Les appareils électriques usagés ne doivent pas être jetés avec les ordures ménagères. Veuillez les recycler dans les centres prévus à cet effet. Pour plus d'informations, veuillez contacter votre municipalité ou point de vente.



Conforme aux réglementations et aux normes de sécurité pertinentes.

Abréviations pour les termes techniques

V	Volt(s)
~	Courant alternatif
A	Ampère(s)
Hz	Hertz
W, kW	Watt(s), Kilowatt(s)
min ⁻¹	Opération(s) par minute

Caractéristiques techniques

Modèle :	TRA001
Tension :	220 - 240 V~, 50/60 Hz
Courant max. d'entrée :	9,1 A
Puissance max. de sortie :	2 400 W
Vitesse à vide :	8 000 - 21 000 min ⁻¹
Pincés de serrage :	GB/UE : 1/2" et 12 mm AUS/SA : 1/2" et 1/4"
Diamètre max. de la fraise :	55 mm (50 mm lorsque utilisée avec TWX7RT001)
Taille max. de la pince de serrage :	1/2" (RUS : 12,7 mm)
Réglage de la hauteur :	1) Plongée libre 2) Poignée remontoir pour la hauteur de table 3) Réglage micrométrique (réglages fins)
Course de plongée :	0 - 68 mm
Indice de protection :	IPX0
Classe de protection :	□
Longueur du câble d'alimentation :	3 m
Dimensions (L x l x H) :	180 x 300 x 310 mm
Poids :	6,5 kg
Du fait de l'évolution constante de notre développement produit, les caractéristiques des produits Triton peuvent changer sans notification préalable.	

Informations sur le niveau sonore et vibratoire	
Pression acoustique L_{PA} :	84,2 dB (A)
Puissance acoustique L_{WA} :	95,2 dB (A)
Incertitude K :	3 dB (A)
Vibration pondérée a_h :	5,4 m/s ²
Incertitude K :	1,5 m/s ²
L'intensité sonore peut dépasser 85 dB (A) et il est nécessaire que l'utilisateur prenne des mesures de protection sonore.	

⚠ AVERTISSEMENT : portez toujours des protections auditives lorsque le niveau d'intensité est supérieur à 85 dB (A) et limitez le temps d'exposition si nécessaire. Si l'intensité sonore devient inconfortable, même avec les protections, arrêtez immédiatement d'utiliser l'appareil, vérifiez que les protections sont bien en places et adaptés avec le niveau sonore produit par l'appareil.

⚠ AVERTISSEMENT : l'exposition de l'utilisateur aux vibrations peut entraîner une perte du toucher, des engourdissements, des picotements et ainsi réduire la capacité de préhension. De longues expositions peuvent également provoquer ces symptômes de façon chronique. Si nécessaire, limitez le temps d'exposition aux vibrations et portez des gants anti-vibrations. N'utilisez pas cet outil lorsque la température de vos mains est en dessous des températures normales, car l'effet vibratoire en est accentué. Référez-vous aux chiffres indiqués dans les caractéristiques techniques des caractéristiques relatifs aux vibrations pour calculer le temps et la fréquence d'utilisation de l'outil.

⚠ AVERTISSEMENT : l'émission de vibrations effective au cours de l'utilisation de l'appareil peut différer de la valeur totale déclarée en fonction de la manière dont l'outil est utilisé. Il sera utile d'identifier les mesures de sécurité afin de protéger l'utilisateur en fonction de l'estimation de l'exposition en conditions réelles d'utilisation (en prenant en compte toutes les phases du cycle de fonctionnement telles que les périodes où l'outil est éteint, lorsqu'il est allumé mais inactif, en plus du temps de déclenchement).

La valeur totale des vibrations déclarée a été mesurée conformément à une méthode d'essai normalisée et permet de comparer un outil à un autre. La valeur totale des vibrations déclarée peut également être utilisée lors d'une évaluation préliminaire d'exposition.

Les niveaux sonores et vibratoires indiqués dans la section « Caractéristiques techniques » du présent manuel sont déterminés en fonction de normes internationales. Ces données correspondent à un usage normal de l'outil, et ce dans des conditions de travail normales. Un appareil mal entretenu, mal assemblé ou mal utilisé peut augmenter les niveaux sonores et vibratoires. Le site www.osha.europa.eu offre de plus amples informations sur les niveaux sonores et vibratoires sur le lieu de travail, celles-ci pourront être utiles à tout particulier utilisant des outils électriques pendant des périodes prolongées.

Consignes générales de sécurité relatives à l'utilisation d'outils et appareils électriques

⚠ AVERTISSEMENT : veuillez lire toutes les consignes de sécurité et toutes les instructions dispensées dans le présent manuel. Le fait de ne pas suivre toutes les instructions données ci-dessous peut provoquer un choc électrique, un incendie et/ou une blessure grave.

Veuillez conserver ces instructions et consignes de sécurité pour référence ultérieure.

L'expression « appareil électrique » employée dans les présentes consignes recouvre aussi bien les appareils filaires à brancher sur secteur que les appareils sans fils fonctionnant avec batterie.

- 1) **Sécurité sur la zone de travail**
 - a) **Maintenir une zone de travail propre et bien éclairée.**
Des zones encombrées et mal éclairées sont sources d'accidents.
 - b) **Ne pas utiliser d'appareils électriques dans des environnements explosifs, tels qu'à proximité de liquides, de gaz ou de poussières inflammables.**
Les appareils électriques produisent des étincelles susceptibles d'enflammer la poussière ou les vapeurs présentes.
 - c) **Éloigner les enfants et toute personne se trouvant à proximité pendant l'utilisation d'un appareil électrique.**
Ceux-ci pourraient vous distraire et vous faire perdre la maîtrise de l'appareil.
- 2) **Sécurité électrique**
 - a) **Les prises des appareils électriques doivent correspondre aux prises du secteur. Ne modifiez jamais la prise en aucune façon. Ne jamais utiliser d'adaptateur sur la prise électrique d'outil mis à la terre.** Des prises non modifiées, adaptées aux boîtiers de prise de courant, réduiront les risques de décharge électrique.
 - b) **Éviter le contact corporel avec les surfaces mises à la terre telles que tuyaux, radiateurs, cuisinières et réfrigérateurs.**
Le risque de décharge électrique est plus important si votre corps est mis à la terre.
 - c) **Ne pas exposer votre appareil électrique à la pluie ou à l'humidité.** L'infiltration d'eau dans un appareil électrique augmentera le risque de décharge électrique.
 - d) **Ne pas maltraiter le cordon électrique. N'utilisez jamais le cordon électrique pour porter, tirer ou débrancher l'appareil électrique.** Conservez le cordon électrique à l'écart de la chaleur, de l'essence, de bords tranchants ou de pièces en mouvement. Un cordon électrique endommagé ou entortillé accroît le risque de décharge électrique.
 - e) **Au cas où l'appareil électroportatif serait utilisé à l'extérieur, servez-vous d'une rallonge appropriée à une utilisation en extérieur.** Cela réduit le risque de décharge électrique.
 - f) **Si une utilisation de l'appareil dans un environnement humide ne peut être évitée, utilisez une alimentation protégée par un disjoncteur différentiel.** L'utilisation d'un disjoncteur différentiel réduit le risque de décharge électrique.
 - g) **Lorsque utilisé en Australie ou en Nouvelle Zélande, il est recommandé que cet appareil soit TOUJOURS s alimenté via un disjoncteur différentiel ayant un courant résiduel de 30 mA ou moins.**

- h) **Utiliser une rallonge adaptée. Vérifiez que les rallonges électriques soient toujours en bon état. Lors de l'utilisation d'une rallonge, assurez-vous qu'elle est adaptée au transport du courant demandé par l'appareil.**
Un câble sous-dimensionné entraînera une baisse de tension et conduira à une perte de puissance voire à une surchauffe.
- 3) **Sécurité des personnes**
- a) **Rester vigilant et faire preuve de bon sens lors de la manipulation de l'appareil. Ne pas utiliser d'appareil électrique en état de fatigue ou sous l'influence de drogues, d'alcool ou de médicaments.**
Un moment d'inattention pendant l'utilisation d'un appareil électrique peut se traduire par des blessures graves.
- b) **Porter des équipements de protection. Porter toujours des lunettes de protection.** Le port d'équipements de protection tels que des masques à poussières, des chaussures de sécurité antidérapantes, un casque de sécurité ou des protections antibruit, selon le travail à effectuer, réduira le risque de blessures aux personnes.
- c) **Éviter tout démarrage accidentel. S'assurer que l'interrupteur marche-arrêt soit en position d'arrêt (Off) avant de brancher l'appareil sur l'alimentation secteur.**
Porter un appareil électrique tout en maintenant le doigt posé sur l'interrupteur ou brancher un appareil électrique dont l'interrupteur est sur la position de marche (On) est source d'accidents.
- d) **Enlever toute clé ou tout instrument de réglage avant de mettre l'appareil électrique en marche.** Une clé ou un instrument de réglage resté fixé à un élément en rotation de l'appareil électrique peut entraîner des blessures physiques.
- e) **Ne pas essayer d'atteindre une zone hors de portée. Garder une position stable afin de maintenir votre équilibre.**
Cela permet de mieux contrôler l'appareil électrique dans des situations inattendues.
- f) **Porter des vêtements appropriés. Ne pas porter de vêtements amples ou des bijoux pendants. Garder les cheveux et vêtements à l'écart des parties mobiles.**
Les vêtements amples, les bijoux pendants ou les cheveux longs peuvent être happés par les pièces en mouvement.
- g) **Si l'appareil est équipé de dispositifs destinés au raccord d'équipements d'extraction et de récupération de la poussière/sciure, s'assurer qu'ils soient bien fixés et utilisés correctement.** L'utilisation de ces dispositifs peut réduire les risques dus à la poussière.
- h) **Ne relâchez pas votre vigilance sous prétexte qu'un usage fréquent vous donne l'impression de vous sentir suffisamment en confiance et familier avec l'appareil et son utilisation.** Une action inconsidérée qui ne durerait ne serait-ce qu'une fraction de seconde pourrait entraîner un accident impliquant de graves blessures.
- 4) **Utilisation et entretien d'appareils électriques**
- a) **Ne pas surcharger l'appareil électrique. Utiliser l'appareil électrique approprié au travail à effectuer.** Un appareil électrique adapté et employé au rythme pour lequel il a été conçu permettra de réaliser un travail de meilleure qualité et dans de meilleures conditions de sécurité.
- b) **Ne pas utiliser un appareil électrique dont l'interrupteur marche-arrêt est hors service.** Tout appareil électrique dont la commande ne s'effectue plus par l'interrupteur marche-arrêt est dangereux et doit être réparé.
- c) **Débrancher l'appareil électrique et/ou retirer la batterie, dans la mesure du possible, avant d'effectuer tout réglage, changement d'accessoire ou avant de le ranger.** De telles mesures préventives réduiront les risques de démarrage accidentel.
- d) **Ranger les appareils électriques inutilisés hors de portée des enfants et ne pas permettre l'utilisation de ces appareils aux personnes novices ou n'ayant pas connaissance de ces instructions.** Les appareils électriques sont dangereux dans les mains d'utilisateurs inexpérimentés.
- e) **Veiller à l'entretien des appareils électriques. Vérifier que les éléments rotatifs soient bien alignés et non grippés. S'assurer de l'absence de pièces cassées ou endommagées susceptibles de nuire au bon fonctionnement de l'appareil.**
Si l'appareil électrique est endommagé, le faire réparer avant toute utilisation. De nombreux accidents sont causés par l'utilisation d'appareils électriques mal entretenus.
- f) **Garder les appareils de coupe affûtés et propres.** Des appareils de coupe bien entretenus, aux tranchants bien affûtés, sont moins susceptibles de se gripper et sont plus faciles à contrôler.
- g) **Utiliser l'appareil électrique, les accessoires et les appareils à monter, etc., conformément à ces instructions et selon l'utilisation prévue pour le type d'appareil donné, en tenant compte des conditions de travail et de la tâche à réaliser.** Toute utilisation de cet appareil électrique autre que celle pour laquelle il a été conçu peut entraîner des situations à risque et entraînerait une annulation de sa garantie.
- h) **Veillez à ce que les poignées et toute surface de préhension de l'appareil soient toujours propres, sèches et exemptes d'huile et de graisse.** Une poignée ou une surface de préhension rendue glissante ne consentirait pas à l'utilisateur de conserver une parfaite maîtrise de son appareil en toutes circonstances.
- 5) **Entretien**
- a) **Ne faire réparer l'outil électrique que par un réparateur qualifié utilisant uniquement des pièces de rechange identiques.** Cela permettra d'assurer la sécurité continue de cet appareil électrique.

Consignes de sécurité supplémentaires relatives aux défonceuses

AVERTISSEMENT

- **Tenez l'outil électrique par ses surfaces de préhension isolées, au cas où la fraise rentre en contact avec des câbles et fils cachés.** Lorsqu'un accessoire de coupe rentre en contact avec un fil sous tension les parties métalliques de l'outil peuvent être mises sous tension et exposer l'utilisateur à un choc électrique.
- **Immobilisez la pièce de travail à l'aide d'un étou ou d'une pince de serrage sur une surface stable.** Maintenir la pièce de travail à la main ou contre le corps peut engendrer une perte de contrôle.
- **Si le remplacement du cordon d'alimentation s'avérait nécessaire, celui-ci devrait être réalisé par le fabricant ou auprès d'un centre agréé afin d'éviter tout risque d'accident.**

- Il est fortement recommandé d'alimenter l'outil à travers un disjoncteur différentiel (RCD) dont le courant résiduel nominale est de 30 mA ou moins.
 - a) Portez des équipements de sécurité tels que des lunettes ou une visière, des protections auditives, un masque respiratoire et des vêtements de protection tel que des gants de sécurité.
 - b) Les chiffons, cordes, ficelles etc. ne doivent jamais être laissés dans l'espace de travail.
 - c) Assurez-vous que la tension de la source principale d'alimentation soit la même que celle indiquée sur la plaque signalétique de l'appareil.
 - d) Assurez-vous que toutes les rallonges électriques utilisées avec l'appareil soient électriquement sûres, et qu'elles possèdent l'ampérage indiqué pour l'appareil.
 - e) Déroulez complètement les rallonges de l'enrouleur pour éviter toute surchauffe.
 - f) Utilisez un détecteur approprié pour déterminer si des câbles ou conduites se trouvent sous la surface de la zone de travail. Contactez les sociétés des services publiques appropriées si nécessaire. Un contact avec des câbles électriques peut engendrer des chocs électriques et des incendies. Endommager une conduite de gaz peut engendrer une explosion. Un contact avec une conduite d'eau peut provoquer des dommages matériels importants.
 - g) Assurez-vous d'avoir enlevé les corps étrangers tels que les clous et les vis de la pièce de travail avant de commencer à travailler.
 - h) Manipulez les fraises avec précaution car elles peuvent être extrêmement tranchantes.
 - i) Avant utilisation, vérifiez avec précaution que l'embout ne soit pas endommagé ou fissuré. Remplacez immédiatement les embouts endommagés ou fissurés.
 - j) Assurez-vous que les fraises/embouts sont aiguisés et entretenus correctement. Si les tranchants sont émoussés, cela peut engendrer des pertes de contrôle, le calage de l'appareil, une augmentation de la chaleur et des blessures.
 - k) Utilisez TOUJOURS les deux mains et maintenez fermement la défonceuse avant de commencer tout travail.
 - l) Gardez les poignées et les surfaces de préhension sèches, propres et sans huile ou graisse pour assurer une prise en main sûre de l'appareil pendant son utilisation.
 - m) Avant d'utiliser l'appareil pour faire une coupe, mettez-le en marche et laissez-le fonctionner librement pendant quelques instants. Des vibrations peuvent indiquer un embout mal installé.
 - n) Notez le sens de rotation de la fraise et celui du déplacement de l'outil.
 - o) Gardez vos mains éloignées de la zone de défonce et de la fraise. Maintenez la poignée auxiliaire ou les surfaces de préhension isolantes avec votre deuxième main.
 - p) Ne démarrez JAMAIS la défonceuse lorsque la fraise est en contact avec la pièce de travail.
 - q) Assurez-vous toujours que le ressort de plongée est installé pendant l'utilisation à la main de la défonceuse.
 - r) Assurez-vous que la fraise est complètement arrêtée avant de plonger vers la position de verrouillage de la pince.
 - s) La vitesse maximale de la fraise/l'embout doit être au moins aussi élevée que celle de l'appareil.
 - t) Des parties de la fraise peuvent devenir extrêmement chaudes pendant l'utilisation. Ne manipulez pas immédiatement après l'utilisation pour éviter le risque de brûlure.
 - u) Ne laissez aucune pièce venir en contact avec des matériaux combustibles
 - v) La taille de la tige de la fraise/l'embout doit être exactement de la même taille de la pince installée sur la défonceuse. Une fraise/un embout incorrectement installé(e) aura un mouvement de rotation irrégulier et augmentera les vibrations, cela peut engendrer une perte de contrôle.
 - w) N'essayez JAMAIS d'appuyer sur le bouton de bocage de l'arbre ou de mettre l'appareil en mode de changement d'embout lorsque l'appareil est en marche.
 - x) Gardez une pression constante lors d'une coupe dans la pièce de travail, en laissant la fraise décider de la vitesse de coupe. Ne forcez pas sur l'appareil, et ne surchargez pas le moteur.
 - y) Assurez-vous que les étiquettes et les avertissements de sécurité sur l'appareil restent lisibles et remplacez-les s'ils sont endommagés ou abimés.
 - z) Lorsque vous utilisez la défonceuse, restez sur vos gardes; la fraise pourrait caler, entraînant une perte de contrôle. Assurez-vous toujours de bien maintenir la défonceuse. Dans de telles circonstances, soyez prêt à relâcher l'interrupteur de marche/arrêt immédiatement.
- Après avoir éteint la défonceuse, vérifiez que la fraise a un mouvement de rotation régulier (non vacillant) et qu'il n'y a pas de vibrations supplémentaires dues à une fraise mal installée. Faire fonctionner la défonceuse avec une fraise mal installée peut engendrer une perte de contrôle et des blessures graves.
 - Une extrême précaution est requise lorsque vous utilisez des fraises d'un diamètre supérieur à 50 mm. Faites descendre la fraise lentement et/ou faites de multiples fraisages peu profonds pour éviter la surcharge du moteur.
 - Éteignez TOUJOURS l'appareil et attendez que l'embout soit complètement arrêté avant de le retirer de la pièce de travail.
 - Débranchez l'appareil de sa source d'alimentation avant d'effectuer un réglage, l'entretien ou la révision.
 - Même s'il est utilisé selon l'usage conforme et dans le respect des présentes consignes de sécurité, il est impossible d'éliminer tout facteur de risque. À utiliser en prenant une extrême précaution. Si vous avez un quelconque doute sur la manière d'utiliser cet appareil en toute sécurité, n'entreprenez pas de vous en servir.
- ⚠ AVERTISSEMENT : les poussières générées par des outils électroportatifs peuvent être toxiques.** Certains matériaux peuvent être traités chimiquement ou avoir un revêtement, et présenter un risque toxique. Certains matériaux naturels ou composites peuvent contenir des produits chimiques toxiques. Certaines peintures anciennes peuvent contenir du plomb et d'autres produits chimiques. Évitez les longues expositions à la poussière créée par l'utilisation de la défonceuse. NE laissez PAS la poussière se poser sur la peau ou les yeux, et ne laissez pas la poussière rentrer dans la bouche pour éviter l'absorption de produits chimiques nocifs. Si possible, travaillez dans un endroit bien ventilé. Utilisez un masque respiratoire et un système d'extraction de la poussière adéquats. Là où il y a une plus grande fréquence d'exposition, il est encore plus important que toutes les précautions de sécurité soient respectées et que des protections personnelles d'un niveau supérieur soient utilisées.

Descriptif du produit

1. Tourelle à butées
2. Mandrin
3. Butée de profondeur
4. Événements latéraux
5. Bouton de verrouillage de la butée de profondeur
6. Moteur
7. Cache de sécurité de l'interrupteur
8. Interrupteur à bascule ON/OFF
9. Caches d'accès aux balais de charbon
10. Variateur de vitesse
11. Levier de verrouillage du mode plongeant
12. Carters de protection
13. Boutons de montage de la semelle
14. Point de connexion de la poignée remontoir (table)
15. Tubulure d'extraction des poussières
16. Verrouillage automatique de l'arbre
17. Bague d'embrayage de la poignée remontoir
18. Bouton de sélection du mode plongeant
19. Poignée remontoir
20. Molette de réglage micrométrique
21. Cache d'accès au ressort de plongée
22. Connexion pour clé de contournement (anti démarrage accidentel (NVR))
23. Guide
24. Pince
25. Poignée remontoir (table)
26. Clé
27. Pivot de montage pour fraisage circulaire
28. Semelle prolongée
29. Clé de contournement NVR

Fig. II

- A. Filetage UNC 1/4 x 4
- B. Filetage M6 x 3
- C. Insert de la poignée remontoir (table)

Usage conforme

Défonceuse plongeante portative conçue pour la découpe de profils, rainures, bordures et de perforations prolongées dans le bois naturel et composite. S'utilise également avec les bagues de copiage et les gabarits pour découper des formes et suivre des modèles. Convient pour une installation fixe dans le module table de défonceuse Triton, pour le Triton Workcentre, et autres systèmes de table appropriés.

Remarque : ce produit n'est pas indiqué pour un usage commercial.

L'outil doit UNIQUEMENT être utilisé dans son but prescrit. Toute autre utilisation que celle indiquée dans le présent manuel sera considérée impropre. Tout dommage et toute lésion provenant d'une quelconque utilisation impropre de l'outil relèvera de la responsabilité de l'utilisateur et non du fabricant. Le fabricant ne peut être tenu responsable d'aucune modification apportée à l'outil ni d'aucun dommage résultant d'une telle modification.

Déballage

- Déballer le produit avec soin. Veillez à retirer tout le matériel d'emballage et familiarisez-vous avec toutes les caractéristiques du produit.
- Vérifiez que toutes les parties du produit sont présentes et en bon état.

Avant utilisation

⚠ AVERTISSEMENT : assurez-vous que l'outil soit déconnecté de la source d'alimentation avant toutes opérations d'entretien ou changement d'accessoires.

⚠ AVERTISSEMENT : périodiquement, lors d'une utilisation prolongée ou lorsque la défonceuse a été transportée ou est tombée, vérifiez que le cache d'accès au ressort de plongée (21) est correctement positionné et fixé en place. Il doit être parallèle au corps de l'outil, sans espace visible, et la vis de fixation doit être correctement positionnée pour empêcher le cache d'accès au ressort de plongée de se dévisser accidentellement (voir Image O). Le ressort de plongée est mis sous tension avec une force capable de causer des blessures graves, s'il est libéré d'une manière incontrôlée. Suivez toujours attentivement les instructions lors du retrait et du remplacement du ressort de plongée.

Installation de la fraise et de la pince

Remarque : portez toujours des gants de protection lors de l'insertion, le retrait et la manipulation d'une fraise - les arrêtes de la fraise sont extrêmement tranchantes.

1. Positionnez la défonceuse à l'envers sur une surface plane en veillant à ce que le moteur (6) soit complètement stationnaire et que le câble d'alimentation soit débranché.
2. Plongez la défonceuse au maximum de sa profondeur en appuyant sur la bague d'embrayage de la poignée remontoir (17) (Image B) et en pivotant la poignée remontoir (19) dans le sens horaire jusqu'à ce que la pince (24) dépasse en dessous de l'embase.

Remarque : veillez à ce que la butée de profondeur (3) soit complètement rétractée (voir 'Butée de profondeur et tourelle à butées'). La pince doit ressortir sous l'embase afin de faciliter l'accès et utiliser la clé.

3. À l'aide de la clé (26), relâchez la pince en la tournant dans le sens antihoraire jusqu'à ce qu'elle soit assez lâche, puis retirez celle-ci.
4. Sélectionnez la pince souhaitée et installée la sur le mandrin (2) fileté en la tournant dans le sens horaire, mais ne serrez pas complètement.
5. Insérez la fraise requise dans la pince, en veillant à ce qu'au moins 20 mm ou la moitié de la tige (selon la valeur la plus élevée) soit insérée dans la pince, puis utilisez la clé pour tourner légèrement la pince de serrage tout en laissant le verrouillage de la pince de serrage s'enclencher (Image C). Lorsqu'il est enclenché, tournez la clé dans le sens horaire pour serrer la fraise.

- Utilisez la bague d'embrayage de la poignée remontoir afin de retourner l'embase sur son mode de fonctionnement standard. La bague va ainsi désenclencher le dispositif de verrouillage de l'arbre et déverrouiller le cache de sécurité de l'interrupteur, permettant ainsi d'utiliser l'interrupteur à bascule ON/OFF (8).

Extraction des poussières

Remarque : cette défonceuse Triton est dotée d'une tubulure d'extraction des poussières (15) pour une extraction au-dessus de la zone de coupe. Elle permet le raccord un tuyau d'un diamètre extérieur de 38 mm, tel que celui fourni avec le collecteur de sciures Triton (DCA300).

- Le tuyau s'adapte en le vissant sur un filetage à gauche (dans le sens antihoraire) (Image D).

Collecteur de poussières optionnel

- Un collecteur de poussières optionnel peut être utilisé afin de bénéficier d'une meilleure extraction des poussières dans la zone de coupe. Vous pouvez obtenir celui-ci auprès de votre revendeur Triton. Il peut être branché sur un tuyau d'un diamètre externe de 38 mm (Image E).

Installation de la semelle prolongée et du guide

- Desserrez complètement les boutons de montage de la semelle (13). Cela permet aux ergots de montage de se mettre en place dans les trous de la semelle prolongée (28).
- Mettez la défonceuse et la semelle prolongée à l'envers.
- Poussez les boutons de montage de la semelle sur l'intérieur de la défonceuse afin d'exposer les ergots de montage.
- Alignez les ergots de montage avec les trous de montage de la défonceuse situés sur la semelle, faites-les glisser dans les fentes (Image K).

Remarque : le sens de la semelle dépend de l'endroit où le support est nécessaire. Pour le travail de bordure, positionnez l'interrupteur à bascule ON/OFF (8) sur la partie avancée de l'embase.

- Serrez bien les boutons de montage de la semelle sur la défonceuse afin de verrouiller le positionnement de celle-ci sur la semelle prolongée.
- Pour installer le guide (23) desserrez les boutons du guide, et faites glisser le guide le long des rainures de la rallonge (Image L). Resserrez les boutons du guide sur le réglage requis afin de verrouiller le guide en place.

Remarque : lors du rainurage selon une distance préétablie à partir du bord, installez le guide sur le côté le plus long de la semelle prolongée.

Remarque : lors du travail en bordure avec une fraise guidée sans roulement, installez le guide sur le côté le plus court de la semelle prolongée (Image G).

Remarque : lors de l'usage d'une fraise de large diamètre, il peut être nécessaire d'installer des blocs en bois sur les faces du guide à l'aide des trous de fixation afin que la fraise n'entre pas en contact avec le guide.

Instructions d'utilisation

⚠ AVERTISSEMENT : portez TOUJOURS des équipements de protection individuelle adaptés tels que des protections oculaires, auditives et respiratoires lorsque vous réglez et utilisez cet outil.

Mise en marche/arrêt

Remarque : lorsque la défonceuse est connectée à une source d'alimentation, l'interrupteur à bascule ON/OFF (8) s'allumera en position ON comme en position OFF.

Remarque : le cache de sécurité de l'interrupteur (7) permet d'éviter tout démarrage accidentel de la défonceuse. Celui-ci doit être relevé afin de pouvoir mettre la défonceuse en marche. Le cache de sécurité restera en position relevée jusqu'à ce que la défonceuse s'arrête.

- Veillez à ce que la défonceuse soit complètement relevée et que la fraise ne soit pas en contact avec tout objet étranger avant de mettre la défonceuse en marche.
- Branchez le câble d'alimentation sur l'alimentation secteur puis glissez le cache de sécurité de l'interrupteur vers le haut afin d'accéder à l'interrupteur à bascule ON/OFF.
- Pour mettre la défonceuse en marche (ON), positionnez l'interrupteur à bascule ON/OFF sur la position 'I'. Lorsque l'interrupteur à bascule ON/OFF est sur cette position, le cache de sécurité reste en position relevée.
- Pour éteindre la défonceuse (OFF), positionnez l'interrupteur à bascule ON/OFF sur la position 'O'. Le cache de sécurité retournera alors sur sa position d'origine.

Contrôle de la vitesse variable

Remarque : les réglages de vitesse ne sont pas décisifs.

En général, la vitesse la plus élevée mais ne causant pas de traces de brûlure sur la pièce de travail, est la plus adaptée. Respectez toujours la vitesse maximale de l'accessoire indiquée par le fabricant de l'accessoire (si indiquée).

- Une utilisation à vitesse réduite augmente le risque de surcharge et peut ainsi endommager la défonceuse. Effectuez des déplacements lents avec la défonceuse et/ou un fraisage à plusieurs étapes.
- Le régulateur de vitesse (10) est marqué de 1 à 5, correspondant plus ou moins aux vitesses et diamètres d'accessoire indiqués ci-dessous. Sélectionnez la vitesse requise à l'aide de la molette du variateur de vitesse.

Réglage	Vitesse (min ⁻¹)	Diamètre de l'accessoire
5	20 000	Jusqu'à 25 mm
4	18 000	25 - 50 mm
3	14 500	50 - 65 mm
2	11 000	Au-delà de 65 mm
1	8 000	À n'utiliser qu'en cas de brûlure

Réglage de la profondeur de fraisage

IMPORTANT :

LE NON RESPECT DES INSTRUCTIONS FOURNIES CI-DESSOUS ENDOMMAGERA LE MÉCANISME DE PLONGÉE.

Veillez TOUJOURS à ce que le levier de verrouillage du mode plongeant (11) soit désenclenché en le réglant sur sa position la plus haute avant d'ajuster la profondeur de coupe en suivant la méthode 'Plongée libre' ou 'Réglage de la poignée remontoir' ci-dessous.



Remarque : pour verrouiller la défonceuse sur un réglage de profondeur particulier, abaissez la tête de la défonceuse puis pivotez le levier de verrouillage de la profondeur (11) sur sa position la plus basse. Cela permettra de maintenir la position de la tête de la défonceuse.

- La profondeur peut être ajustée de 3 manières différentes, en fonction de la précision et du contrôle requis :

Plongée libre

1. Le mode de plongée libre peut être sélectionné lorsque le bouton de sélection du mode plongeant (18) est enclenché. Appuyez sur le bouton de sélection du mode plongeant à l'intérieur de la poignée remontoir jusqu'à ce qu'il enclenche le mode plongeant (Image A).
2. **Relâchez le levier de verrouillage du mode plongeant (11)** et poussez le corps de la défonceuse jusqu'à obtenir le réglage de profondeur requis puis réenclenchez le levier de verrouillage.

Réglage de la poignée remontoir

1. La profondeur de plongée peut être ajustée en tournant la poignée remontoir (19).
2. Désenclenchez le bouton de sélection du mode plongeant (18) et veillez à ce que le bouton soit affleurant avec la poignée remontoir.
3. Pour relâcher la poignée remontoir, tirez sur la bague d'embrayage de la poignée remontoir (17) (Image B).
4. **Relâchez le levier de verrouillage du mode plongeant (11)** et tournez la poignée remontoir jusqu'à atteindre le réglage de profondeur requis. Relâchez la bague d'embrayage de la poignée remontoir et verrouillez le levier de verrouillage de la profondeur.

Réglage micrométrique

IMPORTANT : à utiliser uniquement en mode réglage par poignée remontoir (19).

1. Désenclenchez le bouton de sélection du mode plongeant (18) et **veillez à ce que le levier de verrouillage du mode plongeant (11) soit désenclenché.**

Remarque : si la molette de réglage micrométrique (20) est utilisée lorsque le levier de verrouillage du mode plongeant est enclenché, la molette va cliquer et la profondeur restera donc inchangée.

2. Tournez la molette de réglage micrométrique dans le sens horaire afin d'augmenter la profondeur de fraisage et dans le sens antihoraire pour réduire la profondeur de fraisage. Ajustez la profondeur de fraisage jusqu'à obtenir un réglage adapté.

Remarque : lorsque la fin de la plage de réglage de la profondeur est atteinte, le molette deviendra alors difficile à tourner et commencera à cliquer.

3. Enclenchez le levier de verrouillage de la profondeur, surtout lors de fraisages intensifs.

Butée de profondeur et tourelle à butées

1. La butée de profondeur (3) et la tourelle à butées (1) permettent de régler la défonceuse sur 3 réglages de profondeur prédéfinis avec précision.
2. Desserrez le bouton de verrouillage de la butée de profondeur (5), relevez complètement la butée de profondeur puis resserrez le bouton de verrouillage (Image F).
3. Sélectionnez le réglage de tourelle requis à l'aide de l'échelle indiquée sur la partie stationnaire (Image G).

Remarque : pour changer de réglage, pivotez l'ensemble de la tourelle et alignez celle-ci avec la butée de profondeur.

4. Avec l'accessoire requis installé dans la pince (24), ajustez la profondeur de plongée jusqu'à ce que la pointe de l'accessoire entre en contact avec la pièce de travail.
5. Tournez la tourelle jusqu'à ce que la partie fixe soit alignée avec la butée de profondeur. Relâchez la butée de profondeur, de manière à ce qu'elle vienne s'appuyer sur la partie fixe, puis resserrez le bouton de verrouillage de la butée de profondeur. La profondeur de plongée est maintenant réglée sur 0.
6. Pivotez la tourelle à butées jusqu'à ce que la butée indiquant la profondeur de plongée correcte soit alignée avec la butée de profondeur.

Bagues de copiage optionnelles

Différentes bagues de copiage sont disponibles pour être utilisées votre défonceuse. Des kits d'accessoires sont également disponibles auprès de votre revendeur Triton.

Fraisage

Remarque : ne JAMAIS utiliser la défonceuse en mode mains-libres sans utiliser de guide ou gabarit. Il est possible d'utiliser une fraise à roulement, les guides fournis ou une règle (Image I).

1. Maintenez TOUJOURS la défonceuse avec les deux mains, par les poignées prévues à cet effet. Assurez-vous que la pièce de travail soit bien immobilisée et utilisez une pince de serrage dans la mesure du possible.
2. Laissez le moteur atteindre sa vitesse de fonctionnement.
3. Abaissez la fraise sur la surface de la pièce de travail et déplacez lentement la défonceuse, en veillant à garder la semelle à plat contre la surface de la pièce.
4. Si vous souhaitez travailler sur les bords, la coupe de la pièce de travail doit être réalisée sur le côté gauche par rapport à la direction de la coupe (Fig. I). Maintenez une pression constante et laissez la fraise travailler de façon continue à travers le matériau. N'oubliez pas que des nœuds ou tout autre variation dans le matériau peuvent ralentir la progression.

Remarque : afin d'éviter à la fraise de vibrer sur le matériau, dirigez la coupe dans le sens antihoraire pour les coupes externes et dans le sens horaire pour les coupes internes.

Remarque : déplacer la défonceuse trop rapidement peut entraîner une surcharge du moteur (6) et ainsi une mauvaise qualité de finition. La déplacer trop lentement peut entraîner une surchauffe de la pièce de travail.

Remarque : une utilisation normale de la défonceuse consiste à plonger la tête une fois que l'appareil électrique est en marche.

Remarque : ne jamais démarrer la défonceuse lorsque renversée à moins qu'elle ne soit montée de manière sûre, sur une table de défonceuse disposant de carters et protections adaptées (ex. : de marque Triton).

Fraisage à plusieurs passes

1. La tourelle à butées (1) permet d'obtenir la profondeur de coupe maximale en plusieurs étapes, déterminées par l'utilisateur. Chaque réglage de la tourelle peut être ajusté en tournant la tourelle.
2. Pivotez la tourelle à butées jusqu'à ce que la butée de profondeur (3) entre en contact avec le réglage de la tourelle le plus haut lorsque la défonceuse est abaissée. Le premier passage peut alors être effectué.
3. Continuez d'effectuer vos passages, en pivotant la tourelle et en ajustant la profondeur de chaque passe lorsque nécessaire, jusqu'à obtenir la profondeur de coupe requise.

Fraisage circulaire

1. Installez la semelle prolongée (28) sans le guide (23) sur la défonceuse.
 2. Retirez le pivot de montage pour fraisage circulaire (27) de la semelle prolongée puis fixez celui-ci sur la pièce de travail, à l'aide d'une petite pointe ou vis, à travers un des trous du pivot (Image M). Laissez le boulon du pivot de montage en position.
 3. Abaissez la défonceuse sur le boulon du pivot de montage et réinstallez la rondelle et l'écrou à ailettes (Image N).
 4. Avec la défonceuse à l'arrêt, guidez celle-ci en suivant le chemin prévu afin de vérifier le cercle ou d'ajuster celui-ci si nécessaire.
 5. Usinez le cercle en plusieurs passes, et augmentez la profondeur de coupe d'environ 2 mm à chaque passage (Image N). NE PAS essayer de couper en profondeur en une seule passe.
- **Coupes traversantes :** si vous souhaitez couper à travers toute l'épaisseur du matériau, fixez une pièce sacrificielle sous la pièce de travail. Coupez le cercle de manière surdimensionnée, et une fois que la coupe traverse toute l'épaisseur du matériau, réduisez le diamètre et retravaillez jusqu'à obtenir les dimensions (en effectuant plusieurs passes).

Usage sur table de défonceuse

⚠ AVERTISSEMENT : lorsque utilisée en conjonction avec le module Table de défonceuse pour Workcentre TWX7RT001, le diamètre maximum de la fraise est de 50 mm. Ceci est limité par les caractéristiques techniques du Workcentre.

Remarque : l'installation et l'usage de cette défonceuse sur une table de défonceuse (autre que Triton) compatible doivent être effectués selon les instructions fournies avec la table de défonceuse.

Remarque : bien que ce produit ait été conçu pour un usage efficace et pratique sur la plupart des tables de défonceuse, il est particulièrement bien adapté pour être utilisé avec le module Table de défonceuse TWX7RT001.

Remarque : les réglages de la défonceuse sont extrêmement faciles à effectuer à l'aide des caractéristiques précédemment énoncées dans ce manuel. Voir 'Installation de la fraise et de la pince' et 'Réglage de la profondeur de fraisage'.

IMPORTANT : le ressort de plongée doit impérativement être retiré avant de monter la défonceuse sur une table compatible :

1. Réglez la défonceuse sur le réglage le plus élevé de sa plage de plongée, puis enclenchez le levier de verrouillage de la profondeur (11).
2. Dévissez et retirez la petite vis située près du cache d'accès au ressort de plongée (21) (Image O).
3. En utilisant la paume de votre main, appliquez une pression descendante sur le cache d'accès au ressort de plongée et tenez celui-ci fermement avec votre seconde main afin que le ressort ne saute pas vers le haut une fois relâché. Tout en maintenant une pression descendante et en tenant le cache fermement, tournez le cache d'accès au ressort de plongée dans le sens antihoraire pour le retirer (Image P).

⚠ AVERTISSEMENT : le ressort de plongée est mis sous tension avec une force importante afin de permettre une action de plongée fluide. Le cache d'accès au ressort de plongée et le ressort de plongée sauteront rapidement vers le haut avec une force identique lorsque dévissés. Faites attention à ne pas relâcher le cache d'accès au ressort de plongée de manière incontrôlée, ceci pouvant entraîner des blessures graves.

4. Laissez le cache d'accès au ressort de plongée remonter lentement et de manière contrôlée, une fois dévissé (Image Q).
5. Retirez le ressort et rangez-le dans un endroit sûr.
6. Remplacez le cache d'accès au ressort de plongée et resserrez la vis.

⚠ AVERTISSEMENT : lors de la réinsertion du ressort de plongée, vérifiez avec précaution que le cache d'accès au ressort de plongée soit bien vissé. Il doit être parallèle au corps de l'outil, sans espace visible, et la vis de fixation doit être correctement positionnée pour empêcher le cache d'accès au ressort de plongée de se dévisser accidentellement.

Remarque : veillez à ce le ressort de plongée soit réinstallé sur la défonceuse avant d'utiliser la défonceuse en mode mains-libres.

IMPORTANT : avant d'installer la défonceuse sous la table pour défonceuse, veillez à ce que le bouton de verrouillage de la butée de profondeur (5) ne soit pas enclenché et que le levier de verrouillage du mode plongeant (11) soit en position déverrouillé.

- La poignée remontoir (table) (25) s'enclenche avec le point de connexion de la poignée remontoir (table) (14) pour un ajustement de la hauteur simplifié au-dessus de la table lorsque la défonceuse est montée sur table.

Installation de la clé de contournement anti démarrage accidentel (NVR)

La défonceuse TRA001 dispose d'une fonction de sécurité anti démarrage accidentel (NVR - No Voltage Release = Pas de libération de tension) qui empêche le moteur de redémarrer automatiquement après une coupure de courant. Pour réinitialiser l'outil, l'interrupteur doit être remis en position OFF avant de le remettre en marche. Lorsque la défonceuse est utilisée avec le Workcentre TWX7 (avec table de défonceuse TWX7RT001) ou une table de défonceuse d'autre marque, disposant de sa propre protection NVR, cette fonction peut être contournée en insérant la clé de contournement (29) NVR. Cela permet ainsi de contrôler le fonctionnement ON/OFF de l'outil par le biais de l'interrupteur ON/OFF de la table de défonceuse.

1. Vissez la clé de contournement NVR dans la connexion pour clé de contournement (anti démarrage accidentel (NVR)) (22) et serrez légèrement à la main (Image T).
2. Installez la plaque de fixation sur le dessous du Workcentre (Image U).
3. Mettez la défonceuse en marche et utilisez l'interrupteur ON/OFF de la table de défonceuse pour contrôler la défonceuse.

⚠ AVERTISSEMENT : utilisez uniquement la clé de contournement NVR lorsque la défonceuse est connectée à une source d'alimentation étant protégée par un système de protection anti démarrage accidentel (NVR - No Voltage Release = Pas de libération de tension) telle que le Workcentre TWX7 Triton. Veuillez TOUJOURS à ce que la plaque de fixation soit installée sur la table de défonceuse pour éviter d'accidentellement retirer la défonceuse sans retirer la clé de contournement.

Accès aux vis de la semelle

1. Pour installer votre défonceuse sur une table (autre que Triton) ou sur une table que vous avez fabriquée vous-même, retirez les 4 x vis de la semelle (Image S), puis retirez la semelle.
2. Il y a 2 groupes de filetage indiqués en Fig. II. Il y a 4 x trous avec filetage UNC 1/4 (A), ceux-ci étant utilisés pour fixer la semelle, ainsi que pour le montage sur table si nécessaire. Il existe également 3 x trous avec filetage M6 (B).

Remarque : les filetages M6 ne sont pas disponibles sur les versions plus anciennes de la défonceuse TRA001.

Accessoires

Une gamme complète d'accessoires, y compris des fraises, pinces et bagues de copiage - est disponible auprès de votre revendeur Triton. Vous pouvez également commander des pièces de rechange sur www.toolsparesonline.com.

Entretien

⚠ AVERTISSEMENT : débranchez l'appareil de sa source d'alimentation avant toute opération de nettoyage ou d'entretien.

Inspection générale

- Vérifiez régulièrement que toutes les vis soient bien serrées.
- Vérifiez le câble d'alimentation de l'appareil avant chaque utilisation, à la recherche de tout signe de dommage ou d'usure. En cas d'usure ou d'endommagement nécessitant une réparation, celle-ci ne doit être réalisée que par le fabricant ou qu'auprès d'un centre de réparation agréé Triton. Cette consigne s'applique également pour toute rallonge éventuellement utilisée avec cet outil.

Nettoyage

⚠ AVERTISSEMENT : TOUJOURS porter des équipements de protection y compris lunettes de protection et gants lors du nettoyage de l'outil.

- Gardez l'outil propre en permanence. La poussière et la saleté provoquent l'usure rapide des éléments internes de l'appareil, ce qui réduit sa durabilité.
- Utilisez une brosse souple ou un chiffon sec pour le nettoyage.
- N'utilisez jamais d'agents caustiques sur les parties plastiques. Si un nettoyage sec ne suffit pas, il est recommandé d'utiliser un détergent doux sur un chiffon humide.
- L'outil ne doit jamais être mis en contact avec de l'eau.
- Assurez-vous que l'outil soit complètement sec avant de l'utiliser.

- Si vous en avez la possibilité, nettoyez les orifices de ventilation à l'air comprimé propre et sec (dans la mesure du possible).

Lubrification

- Lubrifiez régulièrement les parties mobiles avec un vaporisateur de lubrifiant adéquat.

Remplacement des balais de charbon

- Avec le temps, les balais de charbon du moteur s'usent.
- Si les balais sont excessivement usés, le rendement du moteur peut diminuer, l'outil peut ne pas démarrer ou une quantité anormale d'étincelles peut être observée.
- Pour remplacer les balais, enlevez les caches d'accès aux balais de charbon (9). Retirez les charbons usés avec précaution (Image R) et vérifiez que les compartiments sont propres. Remplacez-les avec 2 x balais neufs (remplacez toujours les balais par paire) puis repositionnez les caches d'accès.
- Après le remplacement, faites tourner la défonceuse pendant 2-3 minutes pour roder les charbons. Le processus de rodage peut se prolonger sur plusieurs utilisations. Des étincelles peuvent être produites jusqu'à ce que les nouveaux balais soient rodés.
- Vous pouvez également les faire remplacer auprès d'un centre d'entretien agréé Triton.

Contact

Pour tout conseil technique ou réparation, veuillez nous contacter au (+44) 1935 382 222.

Site web : www.tritontools.com

Adresse (GB) :

Toolstream Ltd.
Boundary Way
Lufton Trading Estate
Yeovil, Somerset
BA22 8HZ, Royaume-Uni

Adresse (UE) :

Toolstream B.V.
Hogeweg 39
5301 LJ Zaltbommel
Pays-Bas

Rangement

- Rangez ce produit dans endroit sec, sûr et hors de portée des enfants.

Recyclage

Lorsque l'outil n'est plus en état de fonctionner et qu'il n'est pas réparable, recyclez celui-ci conformément aux réglementations nationales.

- Ne jetez pas les outils électriques, batteries et autres déchets d'équipements électriques ou électroniques (DEEE) avec les ordures ménagères.
- Contactez les autorités locales compétentes en matière de gestion des déchets pour vous informer de la procédure à suivre pour recycler les outils électriques.

En cas de problème

Problème	Cause possible	Solution
Ne fonctionne pas lorsque l'interrupteur à bascule ON/OFF (8) est actionnée	Absence d'alimentation	Vérifiez l'alimentation électrique.
	Interrupteur à bascule ON/OFF défectueux	Faites remplacer l'interrupteur à bascule ON/OFF auprès d'un centre de réparation agréé Triton.
Le profil de coupe manque de précision	La butée de profondeur (3) n'est pas ajustée correctement	Veillez à ce que la butée de profondeur corresponde au réglage maximum de coupe permis par la tourelle à butées (1).
	La fraise ou la pince (24) est mal installée ou s'est desserrée	Resserrez la fraise / la pince et la monture.
La défonceuse ne fonctionne pas	Absence d'alimentation	Vérifiez que l'alimentation fonctionne correctement à la source.
	Balais de charbon usés	Débranchez l'appareil, ouvrez les caches d'accès aux balais de charbon (9) et vérifiez que les balais ne sont pas excessivement usés ou endommagés.
	L'interrupteur est défectueux	Faites réparer l'appareil par un centre de réparation agréé Triton.
	Les éléments du moteur sont défectueux ou court-circuités	
La défonceuse fonctionne lentement	La fraise est émoussée ou endommagée	Réaffûtez ou remplacez la fraise.
	Le variateur de vitesse (10) est positionné sur une vitesse faible	Ajustez le réglage de la vitesse.
	Le moteur est surchargé	Réduisez la pression appliquée sur la défonceuse.
Vibrations excessives	La fraise est mal installée ou s'est desserrée	Réinstallez ou resserrez la fraise.
	La fraise est déformée ou endommagée	Remplacez la fraise.
Quantité excessive d'étincelles à l'intérieur du boîtier moteur	Les balais de charbon ne peuvent pas se déplacer librement	Débranchez l'appareil, retirez les balais de charbon, nettoyez-les ou remplacez-les.
	Le moteur est endommagé ou usé	Faites réparer l'appareil par un centre de réparation agréé Triton.
La molette de réglage micrométrique (20) "clique" ou ne peut être ajustée	Le levier de verrouillage du mode plongeant (11) est enclenché	Relevez le levier de verrouillage du mode plongeant.
	La molette a atteint le réglage maximum disponible	Réinitialisez la molette et ajustez la profondeur à l'aide de la butée de profondeur (3).
L'appareil émet un bruit inhabituel	Obstruction mécanique	Faites réparer l'appareil par un centre de réparation agréé Triton.
	Les éléments internes sont endommagés	

Garantie

Pour valider votre garantie, rendez-vous sur notre site internet tritontools.com* et saisissez vos coordonnées.

Informations relatives à l'achat

Date d'achat : ___ / ___ / ___

Modèle: **TRA001**

Veillez conserver votre ticket de caisse comme preuve d'achat.

Si toute pièce de ce produit s'avérait défectueuse du fait d'un défaut de fabrication ou de matériau dans les 3 ANS à compter de la date d'achat, Triton Precision Power Tools s'engage auprès de l'acheteur de ce produit à réparer ou, à sa discrétion, à remplacer gratuitement la pièce défectueuse.

Cette garantie ne s'applique pas lors d'un usage commercial et ne couvre pas l'usure normal du produit ou les dommages liés à un accident, un usage abusif ou un usage non-conforme de l'appareil.

* Enregistrez votre produit en ligne dans les 30 jours suivant la date d'achat.

Offre soumise à conditions.

Ceci n'affecte pas vos droits statutaires.

Übersetzung der Originalbetriebsanleitung

Einführung

Vielen Dank, dass Sie sich für dieses Triton-Werkzeug entschieden haben. Dieses Produkt verfügt über einzigartige Funktionen. Die vorliegende Anleitung enthält wichtige Informationen für das sichere und effektive Arbeiten mit diesem Produkt. Selbst wenn Sie bereits mit ähnlichen Produkten vertraut sind, lesen Sie diese Anleitung bitte sorgfältig durch, um den größtmöglichen Nutzen aus diesem Werkzeug ziehen zu können. Stellen Sie sicher, dass alle Benutzer diese Bedienungsanleitung vollständig gelesen und verstanden haben. Bewahren Sie diese Anleitung für zukünftiges Nachschlagen mit dem Gerät auf.

Symbolerklärung

Auf dem Typenschild des Werkzeugs sind möglicherweise Symbole abgebildet. Sie vermitteln wichtige Informationen über das Produkt oder dienen als Gebrauchsanweisung.



Gehörschutz tragen
Schutzbrille tragen
Atemschutz tragen
Kopfschutz tragen



Schutzhandschuhe tragen



WARNUNG! Um die Verletzungsgefahr zu reduzieren, muss der Benutzer die Bedienungsanleitung lesen.



Achtung, Gefahr!



WARNUNG! Scharfe Sägeblätter/-zähne!



NIEMALS in nassen/feuchten Umgebungen verwenden!



Trennen Sie das Akkuladegerät stets vom Stromnetz, bevor Sie Wartungs- oder Reinigungsarbeiten daran vornehmen!



Staubabsaugung erforderlich bzw. empfohlen



Schutzklasse II (zum zusätzlichen Schutz doppelt isoliert)



Umweltschutz

Elektroaltgeräte dürfen nicht über den Hausmüll entsorgt werden. Nach Möglichkeit bitte über entsprechende Einrichtungen entsorgen. Lassen Sie sich bezüglich der sachgemäßen Entsorgung von Elektrowerkzeugen von der zuständigen Behörde oder dem Händler beraten.



Erfüllt die einschlägigen Rechtsvorschriften und Sicherheitsnormen

Verzeichnis der technischen Symbole und Abkürzungen

V	Volt
~	Wechselstrom
A	Ampere
Hz	Hertz
W, kW	Watt, Kilowatt
min ⁻¹	Drehzahl, d.h. Umdrehungen pro Minute

Technische Daten

Modellbezeichnung:	TRA001
Spannung:	220-240 V~, 50/60 Hz
Max. Aufnahmeleistung:	9,1 A
Max. Ausgangsleistung:	2400 W
Leerlaufdrehzahl:	8.000 - 21.000 min ⁻¹
Spannzangen:	GB/EU: 1/2 Zoll und 12 mm AUS/SA: 1/2 Zoll und 1/4 Zoll
Max. Fräserdurchmesser:	55 mm (50 mm bei Nutzung mit dem Frästischmodul TWX7RT001)
Max. Spannzangengröße:	1/2 Zoll (RUS: 12,7 mm)
Tiefeneinstellungen:	1) Eintauchtiefenbereich 2) Drehgriffregelung 3) Feinjustierung
Eintauchtiefenbereich:	0-68 mm
Schutzart:	IPX0
Schutzklasse:	□
Netzkabellänge:	3 m
Abmessungen (L x H x B):	180 x 310 x 300 mm
Gerätengewicht:	6,5 kg
Aufgrund der ständigen Weiterentwicklung unserer Produkte kann Triton die technischen Daten ohne Vorankündigung ändern.	

Geräusch- und Vibrationsinformationen	
Schalldruckpegel L_{PA} :	84,2 dB(A)
Schallleistungspegel L_{WA} :	95,2 dB(A)
Unsicherheit K:	3 dB(A)
Hand-Arm-Vibration a_h :	5,4 m/s ²
Unsicherheit K:	1,5 m/s ²
Der Schallintensitätspegel kann für den Bediener 85 dB(A) übersteigen und Lärmschutzmaßnahmen sind notwendig.	

⚠️ WARNUNG! Tragen Sie in Bereichen, in denen der Lärmpegel 85 dB(A) überschreitet, unbedingt angemessenen Gehörschutz und begrenzen Sie nach Möglichkeit die Belastungsdauer. Sollte trotz Gehörschutz Unbehagen irgendeiner Art auftreten, beenden Sie die Arbeit unverzüglich und überprüfen Sie den Gehörschutz auf korrekten Sitz und Funktion und stellen Sie sicher, dass dieser einen angemessenen Schutz für den Lärmpegel bietet, der von den verwendeten Werkzeugen ausgeht.

⚠️ WARNUNG! Bei der Benutzung mancher Werkzeuge wird der Benutzer Vibrationen ausgesetzt, welche zum Verlust des Tastsinns, zu Taubheitsgefühl, Kribbeln und zu einer Verminderung der Handgrieffkraft führen können. Langfristige Belastung kann zu chronischen Beschwerden führen. Begrenzen Sie, falls nötig, die Exposition zu Vibrationen und tragen Sie vibrationsmindernde Handschuhe. Verwenden Sie dieses Werkzeug nicht mit kalten Händen, da Vibrationen bei Temperaturen unter dem individuellen Komfortbereich eine stärkere Wirkung zeigen. Beurteilen Sie die Vibrationsbelastung unter Zuhilfenahme der Technischen Daten des jeweiligen Werkzeuges und bestimmen Sie die zulässige Belastungsdauer und -häufigkeit.

⚠️ WARNUNG! Die Schwingungsbelastung während der Arbeit mit dem Elektrowerkzeug kann je nach Einsatzart des Werkzeuges vom angegebenen Schwingungsgesamtwert abweichen. Um angemessene Sicherheitsmaßnahmen zum Schutz des Bedieners ergreifen zu können, sollten für eine genaue Abschätzung der Schwingungsbelastung auch die Zeiten berücksichtigt werden, in denen das Gerät abgeschaltet ist oder zwar läuft, aber nicht tatsächlich im Einsatz ist.

Der in dieser Anweisung angegebene Schwingungsgesamtwert wurde mittels eines standardisierten Prüfverfahrens gemessen und kann zum Vergleich verschiedener Werkzeuge genutzt werden. Er eignet sich auch für eine vorläufige Einschätzung der Schwingungsbelastung.

Die in den Technischen Daten angegebenen Geräusch- und Vibrationsinformationen werden nach internationalen Standards bestimmt. Die angegebenen Werte entsprechen einer normalen Benutzung des Werkzeuges unter normalen Arbeitsbedingungen. Schlecht gewartete, inkorrekt montierte und unsachgemäß verwendete Werkzeuge können erhöhte Schallpegel und Vibrationswerte aufweisen. Weitere Informationen zur EU-Vibrationsrichtlinie und zu Schall- sowie Vibrationsbelastungen, die auch für Heimanwender relevant sein können, finden Sie auf den Seiten der Europäischen Agentur für Sicherheit und Gesundheitsschutz am Arbeitsplatz: www.osha.europa.eu

Allgemeine Sicherheitshinweise für Elektrowerkzeuge

⚠️ WARNUNG! Beachten Sie alle mit dem Gerät gelieferten Sicherheitshinweise, Anweisungen, Abbildungen und technischen Daten. Versäumnisse bei der Einhaltung der Anweisungen können elektrischen Schlag, Brand und/oder schwere Verletzungen verursachen.

Bewahren Sie alle Sicherheitshinweise und Anweisungen für die Zukunft auf.

Der in den Sicherheitshinweisen verwendete Begriff „Elektrowerkzeug“ bezieht sich auf netzbetriebene Elektrowerkzeuge (mit Netzkabel) und auf akkubetriebene Elektrowerkzeuge (ohne Netzkabel).

1) Arbeitsplatzsicherheit

- Halten Sie Ihren Arbeitsbereich sauber und gut beleuchtet.** Unordnung oder unbeluchtete Arbeitsbereiche können zu Unfällen führen.
- Arbeiten Sie mit dem Elektrowerkzeug nicht in explosionsgefährdeter Umgebung, in der sich brennbare Flüssigkeiten, Gase oder Stäube befinden.** Elektrowerkzeuge erzeugen Funken, die den Staub oder die Dämpfe entzünden können.
- Halten Sie Kinder und andere Personen während der Benutzung des Elektrowerkzeugs fern.** Bei Ablenkung können Sie die Kontrolle über das Gerät verlieren.

2) Elektrische Sicherheit

- Der Anschlussstecker des Elektrowerkzeuges muss in die Steckdose passen. Der Stecker darf in keiner Weise verändert werden. Verwenden Sie keine Adapter mit geerdeten Elektrowerkzeugen.** Unveränderte Stecker und passende Steckdosen verringern das Risiko eines elektrischen Schlages.
- Vermeiden Sie Körperkontakt mit geerdeten Oberflächen wie von Rohren, Heizungen, Herden und Kühlschränken.** Es besteht ein erhöhtes Risiko durch elektrischen Schlag, wenn Ihr Körper geerdet ist.
- Halten Sie Elektrowerkzeuge von Regen oder Nässe fern.** Das Eindringen von Wasser in ein Elektrowerkzeug erhöht das Risiko eines elektrischen Schlages.
- Zweckentfremden Sie das Kabel nicht, um das Elektrowerkzeug zu tragen, aufzuhängen oder um den Stecker aus der Steckdose zu ziehen.** Halten Sie das Kabel fern von Hitze, Öl, scharfen Kanten oder sich bewegenden Geräteteilen. Beschädigte oder verwickelte Kabel erhöhen das Risiko eines elektrischen Schlages.
- Wenn Sie mit einem Elektrowerkzeug im Freien arbeiten, verwenden Sie nur Verlängerungskabel, die auch für den Außenbereich geeignet sind.** Die Anwendung eines für den Außenbereich geeigneten Verlängerungskabels verringert das Risiko eines elektrischen Schlages.
- Wenn der Betrieb des Elektrowerkzeuges in feuchter Umgebung nicht vermeidbar ist, verwenden Sie einen Fehlerstromschutzschalter.** Der Einsatz eines Fehlerstromschutzschalters vermindert das Risiko eines elektrischen Schlages.

- g) In Australien und Neuseeland darf dieses Gerät nur unter Verwendung einer Fehlerstromschutzeinrichtung (FI-Schalter) mit einem Bemessungsfehlerstrom von höchstens 30 mA an die Spannungsversorgung angeschlossen werden.
- h) Benutzen Sie ein geeignetes Verlängerungskabel. Stellen Sie sicher, dass Ihr Verlängerungskabel in einwandfreiem Zustand ist. Verwenden Sie nur Verlängerungskabel, die für die Stromaufnahme des Produkts ausgelegt sind. Ein unterdimensioniertes Kabel verursacht Spannungsabfälle und führt zu Leistungsverlust und Überhitzung.
- 3) Sicherheit von Personen
- a) Seien Sie aufmerksam, achten Sie darauf, was Sie tun, und gehen Sie mit Vernunft an die Arbeit mit einem Elektrowerkzeug. Benutzen Sie kein Elektrowerkzeug, wenn Sie müde sind oder unter dem Einfluss von Drogen, Alkohol oder Medikamenten stehen. Ein Moment der Unachtsamkeit beim Gebrauch des Elektrowerkzeuges kann zu ernsthaften Verletzungen führen.
- b) Tragen Sie persönliche Schutzausrüstung und immer eine Schutzbrille. Das Tragen persönlicher Schutzausrüstung, wie Staubmaske, rutschfeste Sicherheitsschuhe, Schutzhelm oder Gehörschutz, je nach Art und Einsatz des Elektrowerkzeuges, verringert das Risiko von Verletzungen.
- c) Vermeiden Sie eine unbeabsichtigte Inbetriebnahme. Vergewissern Sie sich, dass das Elektrowerkzeug ausgeschaltet ist, bevor Sie es an die Stromversorgung und/oder den Akku anschließen, es aufnehmen oder tragen. Wenn Sie beim Tragen des Elektrowerkzeuges den Finger am Schalter haben oder das Gerät eingeschaltet an die Stromversorgung anschließen, kann dies zu Unfällen führen.
- d) Entfernen Sie Einstellwerkzeuge oder Schraubenschlüssel, bevor Sie das Elektrowerkzeug einschalten. Ein Werkzeug oder Schlüssel, der sich in einem drehenden Geräteteil befindet, kann zu Verletzungen führen.
- e) Vermeiden Sie eine unnatürliche Körperhaltung. Sorgen Sie für einen sicheren Stand und halten Sie jederzeit das Gleichgewicht. Auf diese Weise lässt sich das Elektrowerkzeug in unerwarteten Situationen besser kontrollieren.
- f) Tragen Sie geeignete Kleidung. Tragen Sie keine weite Kleidung oder Schmuck. Halten Sie Haare, Kleidung und Handschuhe fern von sich bewegenden Teilen. Lockere Kleidung, Schmuck oder lange Haare können von sich bewegenden Teilen erfasst werden.
- g) Wenn Staubabsaug- und -auffangeinrichtungen montiert werden können, vergewissern Sie sich, dass diese angeschlossen sind und richtig verwendet werden. Verwendung einer Staubabsaugung kann Gefährdungen durch Staub verringern.
- h) Vernachlässigen Sie bei häufiger Arbeit mit Elektrowerkzeugen trotz der Vertrautheit mit den Geräten nicht die Sicherheitsprinzipien. Fahrlässiges Handeln kann in Sekundenbruchteilen zu schwersten Verletzungen führen.
- 4) Allgemeine Sicherheitshinweise für Elektrowerkzeuge
- a) Überlasten Sie das Gerät nicht. Verwenden Sie für Ihre Arbeit das dafür bestimmte Elektrowerkzeug. Mit dem passenden Elektrowerkzeug arbeiten Sie besser und sicherer im angegebenen Leistungsbereich
- b) Benutzen Sie kein Elektrowerkzeug, dessen Schalter defekt ist. Ein Elektrowerkzeug, das sich nicht mehr ein- oder ausschalten lässt, ist gefährlich und muss repariert werden.
- c) Ziehen Sie den Stecker aus der Steckdose und/oder entfernen Sie den Akku, bevor Sie Geräteeinstellungen vornehmen, Zubehörteile wechseln oder das Gerät weglegen. Diese Vorsichtsmaßnahme verhindert den unbeabsichtigten Start des Elektrowerkzeuges.
- d) Bewahren Sie unbenutzte Elektrowerkzeuge außerhalb der Reichweite von Kindern auf. Lassen Sie Personen das Gerät nicht benutzen, die mit diesem nicht vertraut sind oder diese Anweisungen nicht gelesen haben. Elektrowerkzeuge sind gefährlich, wenn sie von unerfahrenen Personen benutzt werden.
- e) Pflegen Sie Elektrowerkzeuge mit Sorgfalt. Kontrollieren Sie, ob bewegliche Teile einwandfrei funktionieren und nicht klemmen, ob Teile gebrochen oder so beschädigt sind, dass die Funktion des Elektrowerkzeuges beeinträchtigt ist. Lassen Sie beschädigte Teile vor dem Einsatz des Gerätes reparieren. Viele Unfälle haben ihre Ursache in schlecht gewarteten Elektrowerkzeugen.
- f) Halten Sie Schneidwerkzeuge scharf und sauber. Sorgfältig gepflegte Schneidwerkzeuge mit scharfen Schneidkanten verklemmen sich weniger und sind leichter zu führen.
- g) Verwenden Sie Elektrowerkzeug, Zubehör, Einsatzwerkzeuge usw. entsprechend diesen Anweisungen. Berücksichtigen Sie dabei die Arbeitsbedingungen und die auszuführende Tätigkeit. Der Gebrauch von Elektrowerkzeugen für andere als die vorgesehenen Anwendungen kann zu gefährlichen Situationen führen.
- h) Halten Sie Griffe und Griffflächen trocken, sauber und frei von Fett und Öl. Rutschige Hände und Griffflächen machen die sichere Handhabung des Werkzeugs in unvorhergesehenen Situationen unmöglich.
- 5) Service
- a) Lassen Sie Ihr Elektrowerkzeug nur von qualifiziertem Fachpersonal und nur mit Original-Ersatzteilen reparieren. Damit wird sichergestellt, dass die Sicherheit des Elektrowerkzeuges erhalten bleibt.

Zusätzliche Sicherheitshinweise für Oberfräsen



- Halten Sie das Elektrowerkzeug nur an den isolierten Handgriffen bzw. Griffflächen, denn der Fräser könnte mit dem Netzkabel in Kontakt kommen. Der Kontakt mit einer spannungsführenden Leitung kann auch metallene Geräteteile unter Spannung setzen und zu einem Stromschlag führen.
- Klemmen Sie das Werkzeug an eine stabile Arbeitsplatte. Beim Halten mit den Händen allein oder dem Körper kann es zum Kontrollverlust kommen.
- Falls das Netzkabel ersetzt werden muss, darf dies nur durch den Hersteller oder einen seiner zugelassenen Vertreter erfolgen, um Sicherheitsrisiken auszuschließen.
- Es wird dringend empfohlen, dieses Gerät nur unter Verwendung einer Fehlerstromschutzeinrichtung (FI-Schalter) mit einem Bemessungsfehlerstrom von höchstens 30 mA an die Spannungsversorgung anzuschließen.

- a) Verwenden Sie Sicherheitsausrüstung einschließlich Schutzbrille oder Gesichtsschutz, Gehörschützer und Staubschutzmaske sowie Schutzkleidung einschließlich Schutzhandschuhen.
- b) Lappen, Tücher, Kabel, Bindfäden, Seile u. Ä. dürfen niemals im Arbeitsbereich liegengelassen werden.
- c) Stellen Sie sich vor Arbeitsbeginn sicher, dass die Netzspannung der auf dem Typenschild des Gerätes angegebenen Spannung entspricht.
- d) Stellen Sie bei Verwendung eines Verlängerungskabels sicher, dass sein Amperewert für das Elektrowerkzeug zulässig ist und sich in einem elektrisch sicheren Zustand befindet.
- e) Wickeln Sie Verlängerungskabel vollständig von der Kabeltrommel ab, um ein mögliches Überhitzen zu verhindern.
- f) Überprüfen Sie Wände, Decken und Böden stets auf verborgene Stromleitungen und Rohre. Wenden Sie sich bei Bedarf an Ihr Versorgungsunternehmen. Kontakt mit elektrischen Leitungen kann zu Bränden und Elektroschocks führen. Das Beschädigen von Gasleitungen kann Explosionen nach sich führen. Kontakt mit elektrischen Leitungen kann zu Bränden und Elektroschocks führen.
- g) Vergewissern Sie sich, dass sämtliche Fremdkörper wie Nägel und Schrauben aus dem Werkstück entfernt wurden, bevor Sie die Arbeit aufnehmen.
- h) Lassen Sie Vorsicht im Umgang mit Fräsern walten, denn sie können äußerst scharf sein.
- i) Überprüfen Sie den Fräser vor dem Gebrauch sorgfältig auf Schädigen und Risse. Ersetzen Sie beschädigte und rissige Fräser umgehend.
- j) Versichern Sie sich das Fräsesteile scharf und korrekt instandgehalten werden. Unschärfe Teile können zu unkontrollierbaren Situationen führen, den Motor überlasten oder abwürgen und zu Unfällen führen.
- k) Halten Sie die Oberfräse stets mit beiden Händen und stellen Sie sicher, dass sie fest in Ihren Händen liegt, bevor Sie mit der Arbeit beginnen.
- l) Halten Sie die Griffflächen stets trocken, sauber und frei von Öl und Fett um sicher das Werkzeug halten zu können.
- m) Schalten Sie das Gerät ein und lassen Sie es eine Weile laufen, bevor Sie einen Schnitt vornehmen. Achten Sie dabei auf mögliche Vibrationen oder ein „Wackeln“, welches auf einen unsachgemäß eingesetzten Fräser hinweisen kann.
- n) Seien Sie sich der Drehrichtung des Fräasers und der Vorschubrichtung bewusst.
- o) Halten Sie Ihre Hände von sich drehenden Geräte- und Zubehörteilen fern. Fassen Sie den Fräser mit Ihrer zweiten Hand am Zusatzgriff oder an den isolierten Griffflächen.
- p) Schalten Sie die Oberfräse niemals ein, wenn der Fräser das Werkstück berührt.
- q) Sorgen Sie dafür, dass die Eintauchfeder stets montiert ist, wenn das Gerät zum handgeführten Fräsen verwendet wird.
- r) Vergewissern Sie sich, dass der Fräser zum völligen Stillstand gekommen ist, bevor die Spannzange arretiert wird.
- s) Setzen Sie ausschließlich Fräser ein, die für den Höchstdrehzahlbereich des Werkzeuges geeignet sind.
- t) Nach dem Einsatz können Fräser heiß sein. Berühren Sie das Gerät daher nicht unmittelbar nach dem Gebrauch.
- u) Bringen Sie den Fräser nicht in direkten Kontakt mit Brennstoffe.
- v) Achten Sie darauf dass die Größe des Fräasers mit dem des Spannzangenhalters exakt übereinstimmt. Unsachgemäß eingesetzte Fräser rotieren ungleichmäßig und verursachen erhöhte Vibrationen, die zu einem Kontrollverlust führen können.
- w) Während das Gerät in Betrieb ist darf die Spindelarretierungstaste oder der Wahlschalter nicht bedient werden.
- x) Halten Sie einen konstanten Druck während Sie in ein Werkstück schneiden. Wenden Sie keine zusätzliche Kraft an die den Motor überlasten können, sondern lassen Sie den Fräser die Schnittgeschwindigkeit bestimmen.
- y) Achten Sie darauf dass Typenschilder und Sicherheitsetiketten auf dem Gerät gut lesbar sind und ersetzt werden wenn diese beschädigt oder verschmutzt sind.
- z) Bei Bedienung kann es dazu kommen das der Fräser sich im Werkstück festsetzt und einen Kontrollverlust verursacht. Halten Sie das Gerät stets fest und lassen Sie in solchen Fällen den An-/Ausschalter sofort los.
- Nachdem Sie die Oberfräse angeschaltet haben, achten Sie darauf dass der Fräser sich gleichmäßig bewegt d.h. kein „Wackeln“ verursacht und somit Vibrationen entstehen. Das Bedienen des Gerätes mit unsachgemäß eingesetztem Fräser kann zu Kontrollverlust und Verletzungen führen.
 - Achten Sie unbedingt darauf, den Motor nicht zu überlasten, wenn Sie Fräser mit einem Durchmesser über 50 mm einsetzen. Sorgen Sie für eine sehr niedrige Vorschubgeschwindigkeit und/oder nehmen Sie mehrere Fräsdurchgänge mit jeweils geringer Spanabnahme vor, um eine Überlastung des Motors zu vermeiden.
 - Warten Sie stets, bis der Fräser zum völligen Stillstand gekommen ist, bevor Sie das Gerät vom Werkstück abheben.
 - Trennen Sie das Gerät stets vom Stromnetz, bevor Sie Einstellungen, Wartungsarbeiten o.ä. durchführen.
 - Auch wenn dieses Gerät wie vorgeschrieben verwendet wird, ist es nicht möglich, sämtliche Restrisiken auszuschließen. Sollten Sie sich bezüglich der sachgemäßen und sicheren Verwendung dieses Gerätes nicht vollkommen sicher sein, verwenden Sie es nicht.

⚠️ WARNUNG! Bei der Arbeit mit Elektrowerkzeugen kann Giftstaub erzeugt werden. Einige Werkstoffe könnten chemisch behandelt worden sein und eine Gesundheitsgefahr darstellen. Natürliche und Verbundmaterialien können giftige Substanzen enthalten. Ältere Farben und Lacke enthalten mitunter Blei oder andere Schadstoffe. Setzen Sie sich durch die Arbeit mit einer Oberfräse erzeugtem Staub nicht über längere Zeiträume aus. Vermeiden Sie Haut- und Augenkontakt mit dem entstehenden Staub und nehmen Sie ihn keinesfalls mit dem Mund auf, um die Aufnahme gesundheitsschädlicher Stoffe zu verhindern. Arbeiten Sie nach Möglichkeit in gut belüfteter Umgebung. Verwenden Sie eine geeignete Staubschutzmaske und möglichst auch eine Entstaubungsanlage. Bei häufigerer Exposition ist es umso wichtiger, dass sämtliche Schutzmaßnahmen eingehalten und Schutzausrüstung mit höherem Schutzniveau verwendet wird.

Geräteübersicht

1. Revolveranschläge
2. Spannutter
3. Tiefenanschlag
4. Seitliche Lüftungsschlitze
5. Flügelschraube zur Tiefenanschlagarretierung
6. Motor
7. Zurückschiebbare Schalterabdeckung
8. Ein-/Ausschalter
9. Kohlebürstenabdeckung
10. Drehzahlregler
11. Spannhebel zur Frästiefenarretierung
12. Schutzhauben
13. Montageknöpfe für Gleitplatte
14. Einstellkurbelanschluss
15. Staubabsaugstutzen
16. Automatische Spindelarretierung
17. Drehgriffing
18. Tiefenhub-Wahlschalter
19. Stellrad
20. Feinjustierung
21. Eintauchfederkappe
22. NVR-Umgehungsanschluss (Nullspannungsschutz)
23. Anschlag
24. Spannzange
25. Drehgriffregelung
26. Gabelschlüssel
27. Zirkelreinheit
28. Gleitplatte
29. NVR-Umgehungsschlüssel (Nullspannungsschutz)

Abb. II

- A. 4 Schrauben mit ¼ UNC-Gewinde
- B. 3 Schrauben mit M6-Gewinde
- C. Tischkurbel Einkerbung

Bestimmungsgemäße Verwendung

Handgeführte Präzisions-Oberfräse zum Profilieren und Anfertigen von Nuten, Kanten und Langlöchern in Naturholz und Holzverbundmaterial. Mit Kopierhülsen und Fräschablonen/lehren zum Anfertigen von Formen und Ausfräsen von Mustern kompatibel. Lässt sich unter Verwendung des Triton-Frästisches, des Triton-Workcenters oder eines anderen, entsprechend geeigneten Tischsystems auch stationär montieren.

Nicht für den gewerblichen Einsatz geeignet.

Das Gerät darf nur für seinen bestimmungsgemäßen Zweck verwendet werden. Jede von der Beschreibung in dieser Gebrauchsanweisung abweichende Verwendung wird als missbräuchliche Verwendung angesehen. Der Bediener, nicht der Hersteller, ist für jegliche Schäden oder Verletzungen aufgrund missbräuchlicher Verwendung haftbar. Der Hersteller ist weder für am Gerät vorgenommene Modifikationen noch für aus solchen Veränderungen resultierende Schäden haftbar.

Auspacken des Gerätes

- Packen Sie Ihr Gerät vorsichtig aus und überprüfen Sie es. Machen Sie sich vollständig mit allen seinen Eigenschaften und Funktionen vertraut.
- Vergewissern Sie sich, dass sämtliche Teile des Geräts vorhanden und in einwandfreiem Zustand sind.

Vor Inbetriebnahme

⚠️ WARNUNG! Trennen Sie das Gerät stets vom Stromnetz, bevor Sie Zubehörwechsel oder Einstellungsänderungen vornehmen.

⚠️ WARNUNG! Überprüfen Sie regelmäßig, bei längerem Gebrauch oder wenn die Oberfräse transportiert oder fallen gelassen wurde, dass die Eintauchfederkappe (21) richtig sitzt und sicher befestigt ist. Sie sollte ohne sichtbaren Spalt parallel zum Werkzeugkörper sitzen und mit der Befestigungsschraube sicher fixiert sein, um ein versehentliches Abschrauben der Eintauchfederkappe zu verhindern, siehe Abb. O. Die Eintauchfeder steht unter hohem Spannungsdruck die, bei einer unkontrollierten Freigabe, schwere Verletzungen verursachen kann. Befolgen Sie stets sorgfältig die Anweisungen, wenn Sie die Eintauchfeder entfernen und auswechseln.

Spannzange und Fräser anbringen

Hinweis: Tragen Sie während des Fräserwechsels zum Schutz vor scharfen Schneidkanten Schutzhandschuhe.

1. Trennen Sie das Gerät vom Stromnetz und lassen Sie den Motor (6) vollständig zum Stillstand kommen.
2. Stellen Sie die Oberfräse auf ihre maximale Frästiefe ein, indem Sie den Drehgriffregelmodus (17) (Abb. B) nach innen und drücken und das Stellrad (19) im Uhrzeigersinn drehen bis die Spannzange (24) aus der Grundplatte herausragt.

Hinweis: Stellen Sie sicher, dass der Tiefenanschlag (3) vollständig eingefahren ist (siehe „Tiefenanschlag und Revolver“). Die Spannzange sollte nun durch die Grundplatte ragen, so dass der Zugang mit dem Spannzangenschlüssel leicht möglich ist.

3. Lösen Sie die Spannzange, indem Sie den mitgelieferten Spannzangenschlüssel (26) im Gegenurzeigersinn drehen, bis diese entfernt werden kann.
4. Wählen Sie die gewünschte Spannzange und befestigen Sie diese im Spannzangenhalter (2), indem sie die Spannzange im Uhrzeigersinn drehen.
5. Achten Sie dabei darauf, dass mindestens 20 mm oder die Hälfte des Schafts (je nachdem, welcher Wert größer ist) in die Spannzange eingeführt ist. Drehen Sie nun mit dem Spannzangenschlüssel die Spannzange leicht an, damit die Spannzangenverriegelung einrasten kann (Abb. C). Sobald die Spannzangenverriegelung greift, drehen Sie den Schlüssel im Uhrzeigersinn, um den Fräser festzuziehen.
6. Bringen Sie die Oberfräse wieder in eine normale Frästiefe. Dadurch wird die Spannzangenverriegelung gelöst und die zurückschiebbare Schalterabdeckung freigegeben, so dass der Ein-/Ausschalter (8) zugänglich wird.

Staubabsauganschluss

Hinweis: Die Triton-Oberfräse verfügt über einen Staubabzugsstutzen (15) zur Spanabfuhr über dem Frässchnitt. An diesen Stutzen lässt sich ein Schlauch mit einem Außendurchmesser von 38 mm anschließen, wie er im Lieferumfang des Triton-Staubsammelbehälters (Art.-Nr. DCA300) enthalten ist.

- Der Schlauch wird über ein Linksgewinde (d.h. gegen den Uhrzeigersinn) angeschraubt (Abb. D).

Zubehör zur Spanabsaugung (optional)

- Zur effektiven Spanabsaugung entlang des Fräsbereichs kann ein Absaugtrichter angebracht werden, der als Sonderzubehör von Ihrem Triton-Fachhändler erhältlich ist. Der Absaugtrichter lässt sich an Schläuche mit einem Außendurchmesser von 38 mm anschließen (Abb. E).

Installation der Gleitplatte und des Anschlages

1. Lösen Sie die Montageknöpfe (13) völlig, dies ermöglicht den Montagestützen in die Sicherungslöcher der Gleitplatte (28) einzurasten.
 2. Drehen Sie die Oberfräse und die Gleitplatte verkehrt herum.
 3. Drücken Sie die Schraubenköpfe der Montageknöpfe nach innen, um die Montagestützen freizulegen.
 4. Richten Sie nun die Montagestützen auf die Sicherungslöcher in der Gleitplatte aus und schieben Sie die Stützen in die Schlüsselochschlitze (Abb. K).
- Hinweis:** Die Ausrichtung der Gleitplatte hängt davon ab, wo die Abstützung erforderlich ist. Achten Sie darauf, dass sich der Ein-/Ausschalter (8) auf der Seite mit der geringeren Auskrugung befindet, wenn Sie Kantearbeiten durchführen möchten.
5. Ziehen Sie die Montageknöpfe der Oberfräse anschließend fest an, um die Gleitplatte an die Oberfräse zu sichern.
 6. Um den Anschlag (23) anzubringen, lösen Sie die Anschlagknöpfe durch ein paar Umdrehungen und schieben Sie den Anschlag in der Gleitplattenschiene entlang (Abb. L). Fixieren Sie ihn in der gewünschten Stellung, indem Sie beide Anschlagknöpfe anziehen.

Hinweis: Bringen Sie den Anschlag zum Fräsen von Nuten, die nicht an einer Kante liegen, an der Gleitplattenseite mit der größeren Auskrugung an.

Hinweis: Bringen Sie den Anschlag bei Kantearbeiten mit einem Fräser ohne Anlauflager an der Seite mit der geringeren Auskrugung an (Abb. J).

Hinweis: Falls Sie Fräser mit sehr großem Durchmesser verwenden, ist es gegebenenfalls notwendig, mithilfe der Schraubenlöcher Holzblöcke an den Anschlagflächen zu befestigen, um so zu verhindern, dass der Fräser den Anschlag berührt.

Bedienung

! WARNUNG! Tragen Sie STETS Augenschutz, ausreichenden Atem- und Gehörschutz, sowie geeignete Schutzhandschuhe, wenn Sie mit diesem Gerät arbeiten.

Ein- und Ausschalten

Hinweis: Bei Anschluss der Oberfräse an das Stromnetz leuchtet der Ein-/Ausschalter (8) sowohl in der „Ein“-, als auch in der „Aus“-Stellung.

Hinweis: Die zurückschiebbare Schalterabdeckung (7) verhindert ein unbeabsichtigtes Einschalten der Oberfräse und muss zurückgeschoben werden, bevor die Oberfräse eingeschaltet werden kann. Die Abdeckung bleibt so lange offen, bis die Oberfräse ausgeschaltet wird.

1. Vergewissern Sie sich, dass die Oberfräse sich in maximaler Entfernung befindet und das der Fräser nicht mit Fremdkörpern in Kontakt kommen kann.
2. Schließen Sie das Gerät an eine Stromquelle an und schieben Sie die zurückschiebbare Abdeckung zurück, um den Ein-/Ausschalter freizulegen.
3. Drücken Sie den Ein-/Ausschalter in die „I“-Position, um die Oberfräse einzuschalten. Die Abdeckung bleibt während des Betriebs des Gerätes offen.
4. Drücken Sie den Ein-/Ausschalter in die „0“-Position, um das Gerät auszuschalten. Die zurückschiebbare Schalterabdeckung schiebt sich nun in seine normale Position zurück.

Drehzahlregelung

Hinweis: Die genauen Drehzahlstellungen der Oberfräse sind nicht ausschlaggebend; allgemein gilt, dass die höchste Drehzahl, die nicht zu Brandspuren auf dem Werkstück führt, gewählt werden sollte. Die genauen Drehzahlstellungen der Oberfräse sind nicht ausschlaggebend; allgemein gilt, dass die höchste Drehzahl, die nicht zu Brandspuren auf dem Werkstück führt, gewählt werden sollte. Richten Sie sich stets nach den maximalen Drehzahlbegrenzungen des Fräser-Herstellers, sofern angegeben.

- Ein Betrieb bei reduzierter Drehzahl erhöht die Gefahr einer Beschädigung der Oberfräse durch Überlastung. Wählen Sie besser sehr langsame Vorschubgeschwindigkeiten und/oder nehmen Sie mehrere flache Frässchnitte vor.
- Der Drehzahlregler (10) ist mit den Ziffern 1 bis 5 gekennzeichnet, die ungefähr den nachstehenden Drehzahlen und Fräserdurchmessern entsprechen. Stellen Sie die gewünschte Drehzahl am Drehzahlregler ein.

Einstellung	Geschwindigkeit (min ⁻¹)	Fräserdurchmesser
5	21.000	Bis 25 mm
4	18.000	25 – 50 mm
3	14.500	50 – 65 mm
2	11.000	Über 65 mm
1	8.000	Nur bei Brandspuren verwenden

Frästiefe einstellen

WICHTIG:

SIE BESCHÄDIGEN DEN EINTAUCHMECHANISMUS DES GERÄTS, WENN SIE DIESE ANWEISUNGEN NICHT BEFOLGEN.

Stellen Sie STETS sicher, dass der Spannebel zur Frästiefenarretierung (11) freigegeben ist, indem Sie den Hebel in seine höchste Position bringen, bevor Sie die Schnitttiefe mit den unten aufgeführten Methoden „Freies Eintauchen“ oder „Stellradeinstellungen“ einstellen.



Hinweis: Um den Fräser auf eine bestimmte Schnitttiefe einstellen zu können, senken Sie den Fräserkopf und drehen den Spannhebel zur Frästiefenarretierung (11) auf die untere Position. Dies hält den Fräserkopf in Position.

- Je nach gewünschter Genauigkeit und Steuerungsmöglichkeit kann zwischen drei unterschiedlichen Frästiefeneinstellungen gewählt werden.

Freies Eintauchen

1. Freie Tauchtiefeneinstellungen können mit Hilfe des gedrückten Tiefenhub-Wahlschalters (18) vorgenommen werden. Drücken Sie den Tiefenhub-Wahlschalter im Haltegriff nach innen bis dieser eingerastet ist (Abb. A).
2. **Geben Sie den Spannhebel der Frästiefenarretierung (11) frei** und drücken Sie den Gerätekörper der Oberfräse auf die gewünschte Tiefe. Nun den Spannhebel der Frästiefenarretierung wieder feststellen.

Stellradeinstellungen

1. Tauchtiefeneinstellungen können durch Drehen des Stellrades (19) vorgenommen werden.
2. Geben Sie den Tiefenhub-Wahlschalter (18) frei und achten Sie darauf, dass der Schalter mit dem Stellrad bündig steht.
3. Um das Stellrad freizugeben, ziehen Sie den Drehgriffing (17) nach innen (Abb. B).
4. **Lösen Sie den Spannhebel der Frästiefenarretierung (11)** und drehen das Stellrad bis die gewünschte Schnitttiefe erreicht ist. Geben Sie den Drehgriffing frei und schließen Sie den Spannhebel zur Frästiefenarretierung wieder.

Feinjustierung

Hinweis: Nur im Tauchmodus über das Stellrad (19) zu verwenden!

1. Lösen Sie den Tiefenhub-Wahlschalter (18) und achten Sie darauf, dass der Spannhebel zur Frästiefenarretierung (11) nicht arretiert ist.

Hinweis: Wenn die Feinjustierung (20) gedreht wird, während der Spannhebel arretiert ist, beginnt das Stellrad unter Klickgeräuschen leer zu laufen und die Frästiefe bleibt unverändert.

2. Drehen Sie die Feinjustierung im Uhrzeigersinn, um die Frästiefe zu erhöhen und gegen den Uhrzeigersinn, um die Frästiefe zu verringern. Passen Sie die Schnitttiefe an, bis die gewünschte Höhe erreicht ist.

Hinweis: Wenn die maximale Eintauchtiefe erreicht ist, ist beim Drehen der Feinjustierung ein stärkerer Widerstand spürbar und das Stellrad beginnt, unter Klickgeräuschen leer zu laufen.

3. Arretieren Sie den Spannhebel, insbesondere bei großen Frästiefen.

Tiefenanschlag und Revolver

1. Der Tiefenanschlag (3) und Revolveranschlag (1) ermöglichen ein exaktes Einstellen von bis zu drei verschiedenen Frästiefen.
2. Lösen Sie die Flügelschraube zur Tiefenanschlagsarretierung (5) und führen Sie den Tiefenanschlag völlig zurück, danach die Flügelschraube wieder fest anziehen (Abb. F).
3. Stellen Sie den Revolveranschlag mit Hilfe der Skaleneinteilung des stationären Revolveranschlags auf die gewünschte Schnitttiefe ein (Abb. G).

Hinweis: Um die Revolver austauschen zu können, drehen Sie den Revolveraufbau soweit, bis dieser mit dem Tiefenanschlag ausgerichtet ist.

4. Setzen Sie den gewünschten Fräser in die Spannzange (24) und justieren Sie die Schnitttiefe, bis die Spitze des Fräsers das Werkstück berührt.
5. Rotieren Sie den Revolver bis der stationäre Revolveranschlag mit dem Tiefenanschlag ausgerichtet ist. Geben Sie den Anschlag frei und lassen sie ihn in Position einrasten, danach die Flügelschraube zur Tiefenanschlagsarretierung wieder anziehen. Die Tauchtiefe ist jetzt auf Nullposition eingestellt.
6. Drehen Sie die Revolveranschläge bis die gewünschte Tauchtiefe mit dem Tiefenanschlag ausgerichtet ist.

Kopierhülsen (optional)

Verschiedene Kopierhülsen zum Schablonenfräsen sind separat als Sonderzubehör von Ihrem Triton-Fachhändler erhältlich.

Handgeführtes Fräsen

Hinweis: Fräsen Sie niemals im Freihandbetrieb ohne Führungsvorrichtung wie beispielsweise einen Fräser mit Anlauflager, den mitgelieferten Führungsanschlag oder einer Art Parallelschlag (Abb. I).

1. Verwenden Sie stets beide Hände zur Bedienung der Oberfräse. Vergewissern Sie sich, dass das Werkstück stets sicher befestigt ist und sichern Sie dieses mit zusätzlichen Einspannvorrichtungen.
2. Lassen Sie die Oberfräse auf ihre volle Betriebsdrehzahl anlaufen.
3. Senken Sie den Fräser in das Werkstück und bewegen Sie die Oberfräse nun langsam nach vorne, während Sie die Grundplatte flach an das Werkstück halten.
4. Beim Kanten bearbeiten sollte der Schnitt links der Schnittrichtung verlaufen (Abb. I). Halten Sie einen konstanten Druck und lassen Sie den Fräser langsam durch das Werkstückmaterial durcharbeiten. Bitte beachten Sie dass der Fräser bei Abstellen oder anderen Unregelmäßigkeiten ein wenig länger braucht.

Hinweis: Um ein Zerbrechen des Fräsers zu vermeiden führen Sie äußere Schnitte im Gegenuhrzeigersinn und innere Schnitte im Uhrzeigersinn durch.

Hinweis: Ein zu schnelles Führen des Fräsers durch das Werkstück, führt zu schlechten Fräsergebnissen und ein Überhitzen des Motors (6), ein zu langsames Bewegen des Fräsers kann zur Überhitzung des Werkstückes führen.

Hinweis: Im Normalbetrieb wird die Fräserspitze in das Werkstück getaucht, nachdem die Oberfräse eingeschaltet wurde.

Hinweis: Betreiben Sie die Oberfräse nicht umgedreht, es sei denn, sie ist fest an einem Frästisch (z.B. von Triton) mit ausreichend funktionstüchtigen Schutzvorrichtungen montiert.

Ausführung mehrerer Fräsdurchgänge

1. Der Revolveranschlag (1) ermöglicht dem Benutzer die Ausführung von maximalen Schnitttiefen durch eine Reihe von Fräsdurchgängen. Jeder dieser Durchgänge kann am Revolver voreingestellt werden, indem das Rändelrädchen des Revolveranschlags justiert wird.
2. Rotieren Sie den Revolveranschlag bis der Tiefenanschlag (3) den voreingestellten höchsten Stand des Revolvers berührt, wenn sich die Oberfräse im Tauchmodus befindet. Der erste Fräsdurchgang kann jetzt durchgeführt werden.

- Führen Sie weitere Fräsdurchgänge durch, indem Sie den Revolveranschlag rotieren und Sie die Revolveranschlagstiefe für jeden der Durchgänge justieren, falls dies notwendig ist, bis die gewünschte Schnitttiefe erreicht ist.

Kreisbögen fräsen

- Montieren Sie die Gleitplatte (28) ohne den Anschlag (23) an der Oberfräse.
- Nehmen Sie die Zirkelheit (27) aus der Gleitplatte und bringen Sie sie mithilfe eines kleinen Nagels oder einer Schraube, der/die durch eines der Löcher in der Zirkelheit geführt wird (Abb. M), mittig auf Ihrem Werkstück an. Belassen Sie die Schraube der Zirkelheit in dieser Position.
- Senken Sie die Oberfräse und Gleitplatte über der Zirkelheit ab und bringen Sie die Unterlegscheibe und die Flügelmutter wieder an (Abb. N).
- Führen Sie die Oberfräse in ausgeschaltetem Zustand an der Kreislinie entlang, um den Bogen zu überprüfen. Nehmen Sie gegebenenfalls notwendige Einstellungsänderungen vor.
- Fräsen Sie den Kreisbogen in mehreren Arbeitsdurchgängen und erhöhen Sie die Frästiefe bei jedem Durchgang um beispielsweise 2 mm (Abb. N). Nehmen Sie den Schnitt nicht in nur einem tiefen Fräsdurchgang vor.
 - Wenn Sie das Werkstück ganz durchtrennen möchten, befestigen Sie ein zweites Brett aus Restmaterial an der Unterseite Ihres Werkstücks. Fräsen Sie den Kreisbogen zunächst größer als benötigt. Wenn das Werkstück ganz durchtrennt ist, verringern Sie den Durchmesser und arbeiten Sie sich mit schmalen Fräsdurchgängen in der gesamten Tiefe zum gewünschten Durchmesser vor.

Stationäres Arbeiten

⚠️ WARNUNG! Beim Einsatz mit dem TWX7RT001-Frästischmodul ist der maximale Durchmesser des Fräasers 50 mm. Dies ist durch die Technischen Daten des Workcenters beschränkt.

Hinweis: Die Montage und Bedienung dieser Oberfräse auf einem Frästisch muss entsprechend der mit dem Frästisch mitgelieferten Produktliteratur erfolgen.

Hinweis: Diese Oberfräse wurde zwar für einen effizienten und komfortablen Betrieb auf den meisten Frästischen konzipiert, eignet sich aber besonders für den Triton-TWX7-Workcenter und das Frästisch-Einsatzmodul TWX7RT001.

Hinweis: Die Einstellung der Frästiefe ist dank der, in dieser Bedienungsanleitung beschriebenen, einzigartigen Funktionen dieser Oberfräse sehr einfach. Beziehen Sie sich hierbei auf „Spannzangen und Fräser“ anbringen und „Frästiefe einstellen“.

WICHTIG: Bevor Sie die Oberfräse an einen Frästisch installieren muss die Eintauchfeder entfernt werden:

- Stellen Sie den Eintauchbereich der Oberfräse ganz nach oben und arretieren Sie den Spannhebel der Frästiefenarretierung (11).
- Lösen Sie die kleine Schraube neben der Eintauchfederkappe (21) mit ein paar Umdrehungen (Abb. O).
- Drücken Sie mit der Handfläche die Eintauchfederkappe nach unten und halten Sie sie mit der anderen Hand gut fest, um ein Herauspringen der Kappe, während die Spannung von der Feder genommen wird, zu verhindern. Während Sie den Druck nach unten und einen festen Griff aufrechterhalten, drehen Sie die Eintauchfederkappe im Gegenuhrzeigersinn, um sie zu entfernen (Abb. P).

⚠️ WARNUNG! Die Eintauchfeder steht unter hohem Spannungsdruck, um eine sanfte Eintauchfunktion gewährleisten zu können. Durch Abschrauben der Eintauchfederkappe schnell die Kappe und die Eintauchfeder mit der gleichen Druckkraft nach oben. Achten Sie darauf, die Eintauchfederkappe nicht unkontrolliert freizugeben, da dies zu Verletzungen führen kann.

- Geben Sie die Eintauchfederkappe langsam und vorsichtig frei (Abb. Q).
- Entfernen Sie die Feder und bewahren Sie sie an einem sicheren Ort auf.
- Setzen Sie die Eintauchfederkappe wieder ein und ziehen Sie die Schraube an.

⚠️ WARNUNG! Achten Sie beim Einsetzen der Eintauchfeder darauf, dass die Eintauchfederkappe (21) richtig sitzt und sicher befestigt ist. Sie sollte ohne sichtbaren Spalt parallel zum Werkzeugkörper sitzen und mit der Befestigungsschraube sicher fixiert sein, um ein versehentliches Abschrauben der Eintauchfederkappe zu verhindern.

Hinweis: Vergewissern Sie sich, dass die Eintauchfeder wieder angebracht ist, wenn die Oberfräse im Freihandbetrieb verwendet werden soll.

WICHTIG: Bevor Sie die Oberfräse unter dem Frästisch montieren, vergewissern Sie sich, dass die Flügelschraube zur Tiefenanschlagsverriegelung (5) gelöst ist und sich der Spannhebel (11) in der entriegelten Position befindet.

- Die Tischhöhen-Einstellkurbel (25) rastet in den Einstellkurbelanschluss (14) ein, um eine schnelle und einfache Höhenverstellung über dem Tisch zu ermöglichen, wenn die Oberfräse am Tisch montiert ist.

NVR-Umgehungsschlüssel montieren:

Die TRA001-Oberfräse verfügt über eine Nullspannungsauslöser (NVR)-Funktion, die verhindert, dass der Motor nach einer Stromunterbrechung automatisch wieder anläuft. Der EIN-/AUS-Schalter muss deswegen vor dem Wiedereinschalten in die AUS-Position gebracht werden. Bei Verwendung mit dem TWX7-Workcenter (mit TWX7RT001-Frästischmodul) oder einem Frästisch eines Drittanbieters, der über einen eigenen Nullspannungsauslöser-Schutz verfügt, kann diese Funktion durch Einstecken des NVR-Umgehungsschlüssels (29) umgangen werden. Dadurch kann der EIN/AUS-Betrieb des Werkzeugs durch den EIN/AUS-Schalter am Frästisch gesteuert werden.

- Schrauben Sie den NVR-Umgehungsschlüssel in den NVR-Umgehungsanschluss (22) und ziehen Sie ihn vorsichtig von Hand fest (Abb. T).
- Befestigen Sie die Schlüsselhalterung an der Unterseite des Frästisches (Abb. U).
- Schalten Sie die Oberfräse EIN und verwenden Sie den EIN-/AUS-Schalter des Frästisches, um die Oberfräse zu steuern.

⚠️ WARNUNG! Verwenden Sie den NVR-Umgehungsschlüssel NUR, wenn die Oberfräse an eine Stromquelle angeschlossen ist, die selbst durch einen Nullspannungsschutz geschützt ist, wie z. B. der Triton TWX7-Workcenter. Stellen Sie STETS sicher, dass die Schlüsselhalterung mit dem Frästisch verbunden ist, um ein versehentliches Entfernen des Fräasers ohne Entfernen des Umgehungsschlüssels zu vermeiden.

Zugang zu den Schraubköpfen in der Grundplatte

1. Um die Oberfräse an einen Frästisch oder an eine Werkbank zu montieren, entfernen Sie die vier Schrauben in der Grundplatte der Oberfräse, wie in Abbildung S gezeigt wird und entfernen die Grundplatte.
2. Beigefügt sind zwei Arten von Schraubgewinde, wie in Abbildung II zu sehen sind. Vier Schrauben mit -1/4 UNC Gewinde (A), welche zur Befestigung der Grundplatte sowie für die Tischmontage verwendet werden können. Dazu ein Satz von drei Schrauben mit M6-Gewinde (B).

Hinweis: Die M6-Gewindeschrauben sind nicht Bestandteil bei früheren Modellen der TRA001-Oberfräse.

Zubehör

Ein umfangreiches Zubehörsortiment, darunter Fräseinsätze für dieses Gerät, ist über Ihren Triton-Fachhändler erhältlich. Ersatzteile wie z.B. Kohlebürsten, Kopierhülsen und Spannzangen können ebenfalls über Ihren Triton-Fachhändler oder unter www.toolsparsonline.com bezogen werden.


Wartung und Pflege

 **WARNUNG!** Trennen Sie das Gerät stets vom Stromnetz, bevor Sie Wartungs- oder Reinigungsarbeiten daran vornehmen.

Allgemeine Überprüfung

- Überprüfen Sie alle Befestigungsschrauben in regelmäßigen Abständen auf festen Sitz.
- Kontrollieren Sie das Netzkabel des Ladeegerätes vor jedem Gebrauch auf Schäden und Verschleiß. Reparaturen müssen durch eine zugelassene Reparaturwerkstatt erfolgen. Dies gilt auch für mit dem Gerät verwendete Verlängerungskabel.

Reinigung

 **WARNUNG!** Tragen Sie während der Reinigung dieses Gerätes stets Schutzausrüstung einschließlich Schutzbrille und Schutzhandschuhe.

- Halten Sie Ihr Gerät stets sauber. Durch Schmutz und Staub verschleiben die Innenteile schnell und die Lebensdauer des Gerätes wird verkürzt.
- Säubern Sie das Gerätegehäuse mit einer weichen Bürste oder einem trockenen Tuch.
- Reinigen Sie Kunststoffteile niemals mit Ätzmitteln. Falls eine Trockenreinigung nicht ausreichend ist, sollte ein mildes Reinigungsmittel auf einem feuchten Lappen verwendet werden.
- Das Gerät darf niemals mit Wasser in Kontakt kommen.
- Vergewissern Sie sich vor dem erneuten Gebrauch, dass das Gerät wieder vollkommen trocken ist.
- Die Entlüftungsöffnungen gegebenenfalls mit sauberer, trockener Druckluft reinigen, sofern verfügbar.

Schmierung

- Schmieren Sie alle beweglichen Teile regelmäßig mit einem geeigneten Schmiermittelspray.

Kohlebürsten

- Mit der Zeit unterliegen die Kohlebürsten des Motors (6) dem Verschleiß.
- Wenn der Verschleiß der Kohlen fortgeschritten ist, kann dadurch die Motorleistung abnehmen, die Maschine kurzzeitig ausfallen oder es kann zu sichtbarer Funkenbildung kommen.
- Nehmen Sie zum Wechseln der Kohlebürsten die beiden Kohlebürstenkappen (9) ab. Entfernen Sie nun die abgenutzten Bürsten (Abb. R) und vergewissern Sie sich, dass die Buchsen sauber sind. Setzen Sie nun die neuen Kohlebürsten vorsichtig ein und bringen anschließend beide Bürstenkappen wieder an.
- Lassen Sie die Fräse nach dem Einsetzen neuer Kohlebürsten zwei bis drei Minuten im Leerlauf laufen, damit sich die Kohlen einschleifen können. Dieser Vorgang ist oft erst nach mehrmaliger Inbetriebnahme des Gerätes vollständig abgeschlossen. Bis sich die Kohlebürsten eingeschliffen haben, kann es weiterhin zu Funkenbildung kommen.
- Alternativ können Sie das Gerät von einem zugelassenen Vertragskundendienst warten lassen.

Kontakt

Informationen zu Reparatur- und Kundendiensten erhalten Sie unter der Rufnummer (+44) 1935/382222.

Webseite: www.tritontools.com

GB-Postanschrift:

Toolstream Ltd.
Boundary Way
Lufton Trading Estate
Yeovil, Somerset
BA22 8HZ, Großbritannien

EU-Postanschrift:

Toolstream B.V.
Hogeweg 39
5301 LJ Zaltbommel
Niederlande

Lagerung

- Bewahren Sie diesen Artikel sorgfältig an einem sicheren, trockenen Ort außerhalb der Reichweite von Kindern auf.

Entsorgung

Beachten Sie bei der Entsorgung von defekten und nicht mehr reparablen Elektrowerkzeugen die geltenden Vorschriften und Gesetze.

- Elektrowerkzeuge, Batterien und andere elektrische und elektronische Altgeräte nicht über den Hausmüll entsorgen.
- Lassen Sie sich von der zuständigen Behörde bezüglich der ordnungsgemäßen Entsorgung von Elektrowerkzeugen und Batterien beraten.

Fehlerbehebung

Störung	Mögliche Ursache	Empfohlene Abhilfe
Oberfräse funktioniert nicht, wenn der Ein-/Ausschalter (8) betätigt wird	Kein Strom	Spannungsversorgung überprüfen
	Defekter Ein-/Ausschalter	Lassen Sie den Ein-/Ausschalter durch einen zugelassenen Triton-Kundenservice auswechseln
Falsches Schnittprofil	Tiefenanschlag (3) nicht richtig eingestellt	Achten Sie darauf, dass der Tiefenanschlag mit der durch die Revolveranschläge (1) zulässigen, maximalen Anzahl an Schnitten übereinstimmt.
	Falsch eingesetzter oder loser Fräser / Spannzange (24)	Fräser oder Spannzange anziehen
Oberfräse läuft nicht	Keine Stromversorgung	Stromversorgung überprüfen
	Kohlebürsten abgenutzt oder klemmen	Gerät vom Stromnetz trennen und Kohlebürstenabdeckung (9) entfernen.
	Schalter defekt	Lassen Sie das Gerät durch einen zugelassenen Triton-Kundenservice warten
	Motorkomponenten defekt oder kurzgeschlossen	
Oberfräse läuft oder schneidet langsam	Unschärfe oder beschädigte Fräser	Fräser schärfen oder auswechseln
	Drehzahlregler (10)	Drehzahleinstellung erhöhen
	zu niedrig eingestellt	Druck auf die Oberfräse reduzieren
Übermäßige Vibration	Zubehör falsch montiert oder lockerer Fräser	Fräser neu einsetzen und anziehen
	Fräseschaft ist verbogen oder beschädigt	Fräser ersetzen
Übermäßige Funkenbildung im Motorgehäuse	Bürsten bewegen sich nicht frei	Netzstecker ziehen, Bürsten ausbauen und säubern oder ersetzen
	Beschädigter oder verschlissener Motor	Lassen Sie das Gerät durch einen zugelassenen Triton-Kundenservice warten
Feinjustierung (20) „klickt“ und lässt sich nicht einstellen	Spannhebel zur Frästiefenarretierung (11) ist arretiert	Spannhebel zur Frästiefenarretierung lösen
	Ende des Einstellbereichs erreicht	Feinjustierung zurücksetzen und Frästiefe mithilfe des Tiefenanschlags (3) einstellen.
Ungewöhnliche Geräusche	Mechanisches Hindernis	Lassen Sie das Gerät durch einen zugelassenen Triton-Kundenservice warten
	Anker hat interne Kurzschlüsse	

Garantie

Zur Anmeldung Ihrer Garantie besuchen Sie bitte unsere Website tritontools.com* und tragen dort Ihre persönlichen Daten ein.

Kaufinformation

Kaufdatum: ___/___/___

Modell: **TRA001**

Bewahren Sie bitte Ihren Beleg als Kaufnachweis auf.

Wenn sich Teile dieses Produkts innerhalb von 3 Jahren ab Originalkaufdatum infolge fehlerhafter Materialien oder Arbeitsausführung als defekt erweisen, garantiert Triton der kaufenden Person mangelhafte Teile nach eigenem Ermessen entweder kostenlos zu reparieren oder zu ersetzen.

Diese Garantie gilt nicht für kommerzielle Verwendung und erstreckt sich nicht auf normalen Verschleiß oder Schäden infolge von Unfall, Missbrauch oder unsachgemäßer Verwendung.

*Bitte registrieren Sie Ihren Artikel innerhalb von 30 Tagen nach dem Kauf online.

Es gelten die allgemeinen Geschäftsbedingungen.

Ihre gesetzlich festgelegten Rechte werden dadurch nicht eingeschränkt.

Traduzione delle istruzioni originali

Introduzione

Grazie per aver acquistato questo prodotto Triton. Questo manuale contiene le informazioni necessarie per un funzionamento sicuro ed efficace di questo prodotto. Questo prodotto ha caratteristiche uniche e, anche se si ha familiarità con prodotti simili, è necessario leggere attentamente questo manuale per assicurarsi di comprendere a pieno le istruzioni. Assicurarsi che tutti gli utenti del prodotto leggano e comprendano a pieno questo manuale. Conservare le istruzioni con il prodotto per eventuali consultazioni future.

Descrizione dei simboli

La targhetta sullo strumento può mostrare simboli. Questi rappresentano importanti informazioni sul prodotto o istruzioni sul suo utilizzo.



Indossare una protezione acustica
Indossare una protezione per gli occhi
Indossare una protezione respiratoria
Indossare un casco protettivo



Indossare una protezione per le mani



ATTENZIONE - Per ridurre il rischio di lesioni, l'utente deve leggere il manuale di istruzioni



Attenzione!



ATTENZIONE: lame o denti affilati!



NON utilizzare in caso di pioggia o in ambienti umidi!



Scollegare sempre dalla rete elettrica durante la regolazione, la sostituzione degli accessori, la pulizia, la manutenzione e quando non in uso!



Si raccomanda/richiede un sistema di estrazione della polvere



Costruzione di classe II (doppio isolamento per una protezione supplementare)



Protezione ambientale

Rifiuti elettrici e le batterie, comprese le batterie a litio, non devono essere smaltiti con i rifiuti domestici. Riciclare dove esistono strutture idonei. Verificare con le autorità locali o con il vostro rivenditore per consigli sul riciclaggio.



Conforme agli attuali standard legislativi e di sicurezza.

Abbreviazioni tecniche

V	Tensione
~	Corrente alternata
A	Ampere
Hz	Hertz
W, kW	Watt, Kilowatt
min ⁻¹	Operazioni al minuto

Specifiche tecniche

Numero modello:	TRA001
Tensione:	220 - 240 V~ 50 / 60 Hz
Max. potenza di ingresso:	9,1 A
Max. potenza di uscita:	2400 W
Velocità a vuoto:	8.000 - 21.000 min ⁻¹
Anelli:	RU/UE: 1/2" e 12 mm AUS/SA: 1/2" e 1/4"
Diametro massimo della fresa:	55 mm (50 mm se usato con TWX7RT001)
Stelo del cutter massimo:	1/2" (RU: 12,7 mm)
Regolazione dell'altezza:	1) Immersione libera 2) Avvolgitore d'altezza 3) Micro avvolgitore (regolazione di precisione)
Gamma di immersione:	0 - 68 mm
Protezione d'ingresso:	IPX0
Classe di protezione:	□
Lunghezza del cavo di alimentazione:	3 m
Dimensioni (L x P x A):	180 x 300 x 310 mm
Peso:	6,5 kg
Come parte del nostro continuo sviluppo, le specifiche dei prodotti Triton possono modificare senza preavviso.	

Informazioni su rumori e vibrazioni	
Pressione sonora L_{PA} :	84,2 dB (A)
Potenza sonora L_{WA} :	95,2 dB (A)
Tolleranza K:	3 dB (A)
Vibrazioni ponderate $a_{h,i}$:	5,4 m/s ²
Tolleranza K:	1,5 m/s ²
Il livello di intensità del suono per l'operatore potrebbe superare gli 85 dB (A) rendendo necessarie misure di protezione.	

⚠ AVVERTENZA: Indossare sempre protezioni per le orecchie, quando il livello sonoro supera i 85 dB (A) e limitare il tempo di esposizione, se necessario. Se i livelli sonori dovessero creare disagio anche con la protezione auricolare, smettere di utilizzare lo strumento immediatamente e controllare che la protezione acustica sia montata correttamente e che fornisca il giusto livello di isolamento acustico per il livello del suono prodotto dal tuo strumento.

⚠ AVVERTENZA: L'esposizione dell'utente alle vibrazioni dello strumento può causare la perdita del senso del tatto, intorpidimento, formicolio e riduzione della capacità di presa. Una lunga esposizione può portare ad una condizione cronica. Se necessario, limitare la durata di esposizione alle vibrazioni e utilizzare guanti anti-vibrazione. Non utilizzare l'utensile se la temperatura delle mani è al di sotto del normale, in quanto ciò aumenterà l'effetto delle vibrazioni. Utilizzare i dati forniti nelle specifiche tecniche relativi alle vibrazioni per calcolare la durata e la frequenza di funzionamento dell'utensile.

⚠ AVVERTENZA: L'emissione delle vibrazioni durante l'uso effettivo del dell'utensile può essere diverso dal valore totale dichiarato in quanto dipende dalle modalità in cui viene utilizzato lo strumento. Vi è la necessità di identificare le misure di sicurezza per proteggere l'operatore che si basano su una stima dell'esposizione nelle effettive condizioni d'uso (tenendo conto di tutte le parti del ciclo operativo come i tempi in cui lo strumento è spento e quando è attivo a vuoto oltre ai tempi di attivazione).

Il valore totale della vibrazione dichiarato è stato misurato secondo un metodo di prova standard e può essere utilizzato per confrontare uno strumento con un altro. Il valore totale della vibrazione dichiarata può anche essere utilizzato in una valutazione preliminare dell'esposizione.

I livelli sonori nelle specifiche sono determinati seguendo gli standard internazionali. I dati rappresentano un normale utilizzo per l'utensile in condizioni di lavoro generali. Un utensile tenuto in cattive condizioni, montato in modo errato o utilizzato in maniera impropria può essere causa di un aumento dei livelli sonori e delle vibrazioni. www.osha.europa.eu fornisce informazioni sui livelli sonori e delle vibrazioni nei luoghi di lavoro utili agli utenti domestici che utilizzano utensili per lunghi periodi di tempo.

Avvertenze di sicurezza generali per utensili elettrici

⚠ AVVERTENZA: Leggere tutte le avvertenze di sicurezza, istruzioni, illustrazioni e le specifiche fornite con questo utensile elettrico. In caso di mancata osservanza delle istruzioni elencate qui di seguito potrebbe sussistere il pericolo di scosse elettriche, incendi e/o gravi incidenti.

Conservare tutte le avvertenze e le istruzioni per riferimenti futuri.

Il termine "utensile elettrico" nelle avvertenze si riferisce all'utensile elettrico alimentato dalla rete (via cavo) o alimentato a batteria (senza cavo).

1) Sicurezza dell'area di lavoro

- Mantenere l'area di lavoro pulita e ben illuminata.** Zone in disordine e buie favoriscono gli incidenti.
- Non utilizzare utensili elettrici in zone con atmosfere esplosive, come ad esempio in presenza di liquidi infiammabili, gas o polveri.** Gli utensili elettrici creano scintille che possono dar fuoco a polveri o vapori.
- Tenere i bambini e gli spettatori lontani dalla zona di lavoro durante l'uso di un utensile elettrico.** Le distrazioni possono far perdere il controllo.

2) Sicurezza elettrica

- Le spine dell'utensile elettrico devono corrispondere alle prese. Non modificate mai, in alcun modo, la spina. Non usare adattatori spina con utensili elettrici con messa a terra (collegamento di massa).** Le spine non modificate e le prese corrispondenti alle spine minimizzeranno i rischi di folgorazione.
- Evitare il contatto del corpo con superfici collegate a terra o a massa, come tubi, radiatori, frigoriferi, etc.** Il rischio di folgorazione aumenta se il tuo corpo scarica a terra.
- Non esporre i dispositivi elettrici alla pioggia o all'umidità.** Se entra dell'acqua nel dispositivo elettrico, aumenterà il rischio di folgorazione.
- Non abusare del cavo elettrico. Non utilizzate mai il cavo per trasportare, tirare o scollegare il dispositivo elettrico.** Tenete il cavo elettrico lontano dalle fonti di calore, da benzina, spigoli vivi o parti in movimento. I cavi danneggiati o impigliati aumentano il rischio di folgorazione.
- Quando un utensile elettrico è usato all'aperto, utilizzare una prolunga adatta all'uso esterno.** Usare un cavo adatto per l'uso esterno riduce il rischio di folgorazione.
- Se non si può evitare di usare un utensile elettrico in un luogo umido, utilizzare un dispositivo di protezione a corrente residua (RCD).** L'uso di un dispositivo di protezione a corrente residua (RCD) riduce il rischio di scosse elettriche.
- Quando utilizzato in Australia o in Nuova Zelanda, si raccomanda di avviare l'utensile con dispositivi di corrente residua (RCD) con una corrente differenziale nominale di 30 mA o meno.**
- Utilizzare il cavo di estensione appropriato. Assicurarsi che la prolunga sia in buone condizioni. Quando usi una prolunga, assicurati di usarne una abbastanza pesante da sopportare la corrente che il tuo prodotto attirerà.** Un cavo sottodimensionato causerà una caduta di tensione di linea con conseguente perdita di potenza e surriscaldamento.

3) Sicurezza personale

- a) **Quando utilizzate un dispositivo elettrico, state attenti, prestate attenzione a quello che state facendo e usate il buon senso.** Non utilizzate un dispositivo elettrico quando siete stanchi o sotto l'influsso di droghe, alcolici o farmaci. Un momento di disattenzione durante l'uso di utensili elettrici può provocare gravi lesioni personali.
- b) **Usare dispositivi di protezione individuali. Indossare sempre occhiali protettivi.** Equipaggiamenti protettivi, come mascherina antipolvere, scarpe di sicurezza antiscivolo, casco di sicurezza o protezione per l'udito utilizzati in condizioni appropriate, riducono il rischio di lesioni personali.
- c) **Prevenzione di accensione accidentale. Assicurarsi che l'interruttore sia in posizione off prima di collegare la fonte di alimentazione e/o le batterie, quando si prende in mano o si trasporta l'attrezzo.** Trasportare utensili elettrici con il dito sull'interruttore o dare potenza a utensili che hanno l'interruttore su on favorisce il verificarsi di incidenti.
- d) **Rimuovere qualsiasi chiave di regolazione o chiave inglese prima di accendere il dispositivo elettrico.** Una chiave inglese o chiave di regolazione collegata a parti rotanti dell'utensile elettrico possono causare lesioni personali.
- e) **Non eccedete. Mantenere sempre una corretta posizione dei piedi e un corretto bilanciamento.** Questo permette un migliore controllo sull'utensile elettrico in situazioni inaspettate.
- f) **Vestirsi in modo adeguato. Non indossare abiti larghi né gioielli. Tenete capelli e indumenti lontani dai componenti in movimento.** Vestiti larghi, gioielli o capelli lunghi possono essere catturati dalle parti in movimento.
- g) **Qualora i dispositivi fossero dotati di strumenti per l'aspirazione e la raccolta delle polveri, accertatevi che tali dispositivi siano collegati e utilizzati in modo corretto.** L'utilizzo di un aspirapolvere può ridurre i rischi connessi alle polveri.
- h) **Non permettere che la familiarità acquisita in seguito a un uso frequente degli strumenti porti a un atteggiamento di noncuranza relativamente ai principi di sicurezza della strumentazione.** Un'azione negligente può causare gravi lesioni in una frazione di secondo.
- 4) **Utilizzo e cura di un elettrotensile**
- a) **Non forzare l'elettrotensile. Utilizzate il dispositivo elettrico corretto per l'utilizzo che se ne vuole fare.** L'elettrotensile corretto sarà in grado di svolgere il lavoro in modo più efficiente e sicuro nell'ambito della gamma di potenza indicata.
- b) **Non usare lo strumento se l'interruttore non si accende né si spegne.** Gli elettrotensili con un interruttore di accensione difettoso sono pericolosi e devono essere riparati immediatamente.
- c) **Staccare la spina dalla presa di corrente prima di effettuare qualsiasi regolazione, sostituire gli accessori o riporre gli attrezzi a motore.** Queste misure di sicurezza preventive riducono il rischio di avvio involontario.
- d) **Conservare l'elettrotensile fuori dalla portata dei bambini e non lasciare che venga utilizzato da persone non adeguatamente addestrate e competenti nell'uso degli elettrotensili o che non abbiano letto questo manuale di istruzioni.** Gli elettrotensili diventano estremamente pericolosi nelle mani di persone non addestrate.

- e) **Effettuare la manutenzione degli elettrotensili e degli accessori. Controllare che non ci sia un disallineamento o un blocco delle parti in movimento, la rottura di alcune componenti e altre condizioni che possano influire sul funzionamento dell'apparecchio. In caso di danneggiamento, fare riparare lo strumento prima di riutilizzarlo.** La maggior parte degli incidenti sono causati da una scarsa manutenzione.
- f) **Mantenere le lame pulite e affilate.** Gli utensili da taglio tenuti in buone condizioni operative e con i bordi taglienti affilati sono meno soggetti a bloccarsi e più facili da controllare.
- g) **Utilizzare l'elettrotensile e tutti i componenti e gli accessori in conformità con le istruzioni di questo manuale e nella maniera prevista per ciascun tipo di utensile, tenendo conto delle condizioni lavorative e del compito da eseguire.** L'utilizzo degli elettrotensili per fini diversi da quelli previsti rappresenta un rischio per le persone.
- h) **Tenere asciutte le maniglie e le impugnature, e fare in modo che siano pulite e senza olio né grasso.** Le impugnature e le superfici di presa scivolose non consentono una gestione e un controllo sicuri dell'apparecchiatura in condizioni impreviste.

5) Assistenza

- a) **Qualsiasi intervento sull'elettrotensile deve essere eseguito da personale qualificato utilizzando unicamente pezzi di ricambio compatibili e approvati.** Ciò garantisce la sicurezza dell'elettrotensile.

Informazioni di sicurezza aggiuntive per le fresatrici



- **Tenere il dispositivo unicamente per le superfici di impugnatura isolate, dato che la fresa potrebbe entrare in contatto col cavo di alimentazione.** Tagliare un cavo "sotto tensione" può esporre le componenti metalliche del dispositivo "sotto tensione", e potrebbe dunque trasmettere una scossa elettrica all'operatore.
- **Usare delle pinze o altri metodi pratici per rendere sicuro e supportare il pezzo da sottoporre a lavorazione su una superficie stabile.** Tenendo il pezzo in mano o appoggiato contro il corpo lo si rende instabile, e ciò potrebbe portare a una perdita di controllo del dispositivo stesso.
- **Se è necessaria la sostituzione del cavo di alimentazione, questo deve essere fatto dal produttore o dal suo agente al fine di evitare rischi per la sicurezza.**
- **Si raccomanda di alimentare l'utensile con un dispositivo a corrente residua con una corrente nominale di 30 mA o inferiore.**
- a) **Servirsi di dispositivi di sicurezza, compresi occhiali o protezioni, protezioni per le orecchie, maschere anti-polvere e indumenti protettivi, compresi guanti di sicurezza,**
- b) **Indumenti, cavi, lacci, ecc. non vanno mai lasciati nelle immediate vicinanze dell'area di lavoro.**

- c) Verificare che la tensione di alimentazione corrisponda alle specifiche del dispositivo.
- d) Verificare che le eventuali prolunghe usate col dispositivo siano in condizioni elettriche sicure, e che dispongano dell'amperraggio adeguato per il dispositivo.
- e) Svolgere completamente le prolunghe per evitare potenziale surriscaldamento
- f) Servirsi di rilevatori adeguati per capire se sotto alla superficie di lavoro vi sono linee elettriche, o tubazioni. Ove necessario, rivolgersi alle aziende di competenza per ricevere ulteriori informazioni in merito. Il contatto coi cavi elettrici può portare a scosse elettriche e incendio. Danneggiare una linea del gas può portare a un'esplosione. Il contatto con le linee idriche può portare a gravi danni a oggetti
- g) Verificare che gli oggetti integrati quali ad esempio chiodi e viti siano stati rimossi dal pezzo da sottoporre a lavorazione prima di mettersi al lavoro
- h) Trattare le frese con estrema cura dato che possono essere molto affilate
- i) Prima dell'uso, controllare con attenzione la fresa al fine di verificare la presenza di segni di danno o usura. Sostituire immediatamente i codoli danneggiati o rotti
- j) Verificare che la fresa/i codoli della fresa siano affilati e sottoposti ad adeguata manutenzione. Le estremità taglienti spuntate possono portare a perdita di controllo del dispositivo, compreso stallo, aumento del calore e possibili lesioni
- k) Usare SEMPRE entrambe le impugnature e tenere saldamente la fresatrice prima di procedere con altri lavori
- l) Tenere asciutte, pulite e senza olio e grasso le maniglie e le superfici dell'impugnatura, al fine di garantire che il dispositivo possa essere tenuto saldamente in fase di utilizzo.
- m) Prima di usare il dispositivo per eseguire un taglio, accenderlo e lasciarlo funzionare per un po' di tempo. Le vibrazioni potrebbero indicare la presenza di una fresa non installata in modo adeguato.
- n) Fare attenzione alla direzione di rotazione della punta nonché alla direzione di alimentazione
- o) Tenere le mani lontane dell'area di fresatura e dalla fresa. Tenere la maniglia ausiliaria o una superficie di taglio isolata con la seconda mano.
- p) Non avviare MAI la fresatrice quando la fresa sta toccando il pezzo sottoposto a lavorazione
- q) Verificare che la molla di immersione sia sempre inserita quando il dispositivo viene usato in modalità manuale
- r) Verificare che la fresa si sia completamente fermata prima di passare all'immersione dell'anello metallico in posizione di blocco
- s) La velocità massima della fresa deve essere almeno altrettanto alta quanto la velocità massima del dispositivo alimentato a corrente
- t) Alcune parti della fresa si potrebbero riscaldare in fase di utilizzo. Non toccare immediatamente dopo l'uso per evitare il rischio di ustioni
- u) Non lasciare che le componenti entrino in contatto con materiali combustibili
- v) Le dimensioni del codolo della fresa devono corrispondere alle dimensioni esatte dell'anello metallico inserito nella fresatrice. Le frese inserite in modo errato ruoteranno in modo irregolare, comportando un aumento delle vibrazioni. Ciò potrebbe anche portare a una perdita di controllo del dispositivo.
- w) NON premere il pulsante di blocco dell'albero o cercare di portare il dispositivo in modalità sostituzione fresa mentre la fresatrice è in funzione.
- x) Mantenere una pressione costante in fase di taglio del pezzo sottoposto a lavorazione, lasciando che sia la fresa della fresatrice a determinare la velocità di taglio. NON forzare il dispositivo e non sovraccaricare il motore.
- y) Verificare che le targhette e le avvertenze di sicurezza sul dispositivo restino facilmente accessibili. Provvedere alla loro sostituzione qualora siano rovinata o danneggiate
- z) In fase di funzionamento della fresatrice, prepararsi al fatto che la fresa della fresatrice rimanga in stallo sul pezzo da lavorare causando perdita di controllo. Accertarsi sempre di impugnare saldamente la fresatrice e che in casi di questo tipo l'interruttore on/off venga rilasciato immediatamente
- Dopo aver acceso la fresatrice, verificare che la fresa stia ruotando in modo uniforme (senza oscillare) e che non vi siano vibrazioni aggiuntive legate al fatto che la fresa non è stata installata correttamente. L'uso della fresatrice con una fresa inserita in modo errato può portare a una perdita di controllo nonché a gravi lesioni
 - Prestare ESTREMA attenzione quando vengono usate frese con un diametro superiore ai 50 mm. Usare velocità di alimentazione molto basse e/o più tagli poco profondi per evitare di sovraccaricare il motore
 - Spegnere SEMPRE e aspettare che la fresa sia completamente ferma prima di togliere la macchina dal pezzo sottoposto a lavorazione
 - Scollegare dall'alimentazione prima di eseguire eventuali regolazioni, interventi di assistenza o manutenzione
 - Anche se usato come prescritto non è possibile eliminare tutti i fattori di rischio. Evitare di utilizzare il prodotto in caso di dubbi o incertezze sulle corrette modalità di utilizzo.
- ⚠ AVVERTENZA:** La polvere generata dall'uso di dispositivi alimentati a corrente può essere tossica. Alcuni materiali potrebbero essere trattati chimicamente o rivestiti e presentare un rischio di tossicità. Alcuni materiali naturali e composti potrebbero contenere sostanze chimiche tossiche. Alcune vernici meno recenti possono contenere piombo e altre sostanze chimiche. Evitare l'esposizione prolungata alla polveri generate dall'uso di una fresatrice. NON consentire alla polvere di depositarsi sulla pelle o sugli occhi e non consentire alla polvere di entrare nella bocca, al fine di evitare l'assorbimento di sostanze chimiche pericolose. Ove possibile, lavorare in una zona ben ventilata. Usare una maschera anti-polvere adeguata e un sistema di estrazione della polvere, ove possibile. In caso di frequenze di esposizione più elevate, è ancora più importante attenersi a tutte le precauzioni di sicurezza nonché all'uso di un livello superiore di protezione personale.

Familiarizzazione con il prodotto

1. Stop torretta
2. Mandrino
3. Stop profondità
4. Prese di ventilazione laterali
5. Manopola di blocco stop profondità

6. Motore
7. Copri-interruttore retrattile
8. Interruttore On/Off
9. Coperchi di accesso alla spazzola
10. Controller di velocità
11. Leva di blocco immersione
12. Protezioni di sicurezza
13. Manopole di montaggio della piastra di base
14. Punto di collegamento dell'avvolgitore di regolazione dell'altezza del banco
15. Porta dell'estrazione delle polveri
16. Blocco mandrino automatico
17. Anello di blocco impugnatura avvolgitore
18. Pulsante di selezione immersione
19. Maniglia avvolgitore
20. Micro avvolgitore
21. Cappuccio di accesso molla a immersione
22. Collegamento della chiave di reset dell'NVR (Rilascio in assenza di corrente)
23. Appoggio
24. Anello metallico
25. Avvolgitore d'altezza del banco
26. Chiave inglese
27. Montaggio perno di taglio cerchio
28. Piastra di base espansa
29. Chiave di reset dell'NVR

Figura II

- A. ¼ UNC x 4
- B. M6 x 3
- C. Rientro avvolgitore del banco

Uso previsto

Fresatrice a immersione di precisione manuale, alimentata a rete, utilizzata per tagliare profili, scanalature, bordi e fori allungati su legno naturale e composito. Si utilizza anche con boccole di guida e modelli per tagliare forme e seguire schemi. Adatta all'installazione stazionaria su il banco fresa di precisione Triton, per Triton Workcentre, e su altri sistemi di banco compatibili.

Nota: Non è destinato all'uso commerciale.

Deve essere utilizzato SOLO per lo scopo previsto. Qualsiasi uso diverso da quelli menzionati in questo manuale sarà considerato un caso di uso improprio. L'utente, e non il produttore, sarà responsabile per eventuali danni o lesioni derivanti da tali casi di uso improprio. Il produttore non sarà responsabile per eventuali modifiche apportate allo strumento né per eventuali danni derivanti da tali modifiche.

Disimballaggio dell'utensile

- Disimballare e ispezionare l'utensile. Familiarizzare completamente con tutte le sue caratteristiche e funzioni
- Assicurarsi che tutte le parti dell'utensile siano presenti e in buone condizioni. In caso di parti mancanti o danneggiate, sostituire tali parti prima di utilizzare questo utensile

Prima dell'uso

⚠ AVVERTENZA: Verificare che il dispositivo sia scollegato dalla presa di corrente prima di fissare o sostituire eventuali accessori o eseguire eventuali regolazioni.

⚠ AVVERTENZA: Periodicamente, durante l'uso prolungato o quando la fresatrice è stata trasportata o è caduta, controllare che il tappo di accesso alla molla a immersione (21) sia correttamente posizionato e fissato in posizione. Dovrebbe essere parallelo al corpo dell'utensile senza alcuno spazio visibile, e la vite di fissaggio dovrebbe essere posizionata correttamente per evitare che il tappo di accesso alla molla a immersione si sviti accidentalmente, vedi immagine O. La molla a immersione è tesa con una forza sufficiente a causare gravi lesioni se rilasciata in modo incontrollato. Seguire sempre attentamente le istruzioni quando si rimuove e si sostituisce la molla a immersione.

Installazione dell'anello metallico e della fresa

Nota: Indossare guanti protettivi in fase di inserimento e rimozione di frese in quanto queste possono essere molto affilate.

1. Collocare la fresatrice capovolta su una superficie piana sicura, col Motore (6) completamente fermo e il cavo di corrente non inserito nella presa di alimentazione.
2. Spingere la fresatrice fino alla sua profondità massima premendo l'Anello di blocco impugnatura avvolgitore (17) (Immagine B) verso l'interno, e ruotando la Maniglia Avvolgitore (19) in senso orario fino a che il l'Anello metallico (24) non sporge rispetto alla base.

Nota: Verificare che la Manopola di Blocco Stop profondità (3) sia completamente ritratta (cfr. "Stop di profondità e torretta"). L'anello metallico dovrebbe sporgere dalla base, consentendo così un facile accesso della chiave.

3. Servendosi della Chiave (26) fornita in dotazione, allentare l'anello metallico ruotandolo in senso anti-orario fino alla sua completa rimozione.
4. Selezionare l'Anello metallico desiderato, e inserirlo all'interno del Mandrino (2) avvitando l'Anello metallico in senso orario
5. Inserire la lama della fresatrice nell'anello metallico verificando che almeno 20mm o metà dell'albero (optare per la dimensione maggiore) venga inserita all'interno dell'anello metallico, quindi usare la Chiave per ruotare leggermente l'Anello metallico, consentendo così l'innesto dell'Anello metallico stesso (Immagine C). Dopo l'innesto, ruotare la chiave in senso orario per serrare la fresatrice
6. Riportare la fresatrice alla normale profondità di funzionamento. In questo modo il blocco dell'anello metallico verrà disinnestato e si rilascerà l'interruttore retrattile; sarà dunque possibile accedere all'interruttore On/Off (8)

Porta di estrazione delle polveri

Nota: La fresatrice Triton è dotata di una porta di estrazione delle polveri (15) per eliminare le polveri e i trucioli dalla parte superiore della zona di taglio. La boccola accetta i tubi da 38mm, come quelli forniti con il secchio raccogli-polvere Triton (DCA300).

- Le viti del tubo in posizione tramite una filettatura sinistra (senso antiorario) (Immagine D).

Accessorio di raccolta trucioli opzionale

- Una presa anti polvere opzionale per aspirazione trucioli efficace a fianco la zona di taglio è disponibile presso il vostro rivenditore locale Triton. Può essere collegato a qualsiasi tubo O.D. di 38mm (Immagine E).

Piastra di base estesa e installazione della guida

1. Localizzare le due Manopole di montaggio della piastra di base (13) e allentarle completamente. In questo modo i perni di montaggio si innesteranno nei fori di fissaggio della fresatrice sulla piastra di base estesa (28).
2. Capovolgere sia la fresatrice che la piastra di base estesa
3. Premere le manopole di montaggio della piastra di base sulla fresatrice verso l'interno, fino a esporre i perni di montaggio
4. Allineare i perni di montaggio coi fori di fissaggio della fresatrice sulla piastra di base estesa, quindi far scorrere negli alloggiamenti del foro-chiave (Immagine K).

Nota: L'orientamento della Piastra di base estesa dipende dal punto in cui è richiesto il supporto. Per lavorare sulle estremità, localizzare l'interruttore On/Off (8) sul lato corto sporgente della base.

5. Serrare le manopole di montaggio della piastra di base saldamente sulla fresatrice per fissare la fresatrice stessa sulla piastra di base estesa
6. Per installare la guida (23) allentare le manopole della guida e far scorrere la guida stessa sui binari della piastra di base estesa (Immagine L). Bloccare nel punto richiesto serrando entrambe le manopole della guida

Nota: Quando si effettuano tagli lontano dalle estremità, inserire la Guida sull'estremità lunga della piastra di base estesa.

Nota: Quando si lavora alle estremità con una fresa con guida non portante, inserire la protezione sull'estremità corta della piastra di base (Immagine J).

Nota: Qualora venga usata una fresa di grandi dimensioni potrebbe essere necessario fissare i blocchi in legno ai lati della guida tramite i fori della vite, al fine di garantire che la fresa non entri in contatto con la guida.

Funzionamento

⚠ AVVERTENZA: Indossare SEMPRE la protezione per gli occhi, protezioni per il sistema respiratorio e l'udito e anche guanti adatti quando si utilizza questo strumento.

Accensione e spegnimento

Nota: Quando la fresatrice viene collegata alla sorgente di alimentazione, l'interruttore On/Off (8) si illumina, sia in posizione "On" che in posizione "Off".

Nota: Il Copri-interruttore retrattile (7) impedisce l'avvio accidentale della fresatrice. Dovrà essere ritirata prima di accendere la fresatrice. Il Copri-interruttore retrattile resterà aperto fino a che la fresatrice non viene spenta.

1. Verificare che la fresatrice a immersione sia all'estensione massima del suo spostamento, e che la fresa non entri in conflitto con oggetti estranei quando viene alimentato
2. Collegare il cavo di alimentazione alla presa di corrente, e far scorrere indietro il Copri-interruttore retrattile fino a mostrare l'interruttore di alimentazione On/Off.

3. Premere l'interruttore di alimentazione On/Off fino a portarlo in posizione "I" per accendere la fresatrice. Mentre l'interruttore di alimentazione On/Off si trova in questa posizione, il Copri-interruttore retrattile non potrà coprire nuovamente l'interruttore di alimentazione On/Off

4. Per spegnere, premere l'interruttore On/Off fino a portarlo in posizione "O". Il Copri-interruttore retrattile tornerà alla sua posizione originale.

Controllo della velocità variabile

Nota: Le impostazioni di velocità della fresatrice non sono critiche. Generalmente, si dovrebbe usare la velocità più alta che non causi segni sul pezzo da sottoporre a lavorazione. Ove indicato, attenersi alle indicazioni sulla velocità massima consentita fornite dal produttore.

- Lavorare a velocità ridotte aumenta il rischio di danni della fresa, che potrebbero emergere in seguito a un sovraccarico. Usare velocità di alimentazione molto basse e/o più tagli poco profondi.
- Il controller della velocità (10) è contrassegnato da 1 a 5, il che corrisponde indicativamente alle velocità e ai diametri di fresa di seguito indicati. Ruotare il selettore per impostare la velocità richiesta

Impostazione	Velocità (min ⁻¹)	Diametro della fresatrice
5	21.000	Fino a 25 mm
4	18.000	25 - 50 mm
3	14.500	50 - 65 mm
2	11.000	Fino a 65 mm
1	8.000	Utilizzare solo se brucia

Regolazione della profondità di taglio

IMPORTANTE:

SE NON SI SEGUONO QUESTE ISTRUZIONI, IL VOSTRO MECCANISMO DI IMMERSIONE SI DANNEGERÀ.

Assicurarsi SEMPRE che la leva di blocco dell'immersione (11) sia sbloccata impostandola nella posizione più alta prima di regolare la profondità di taglio usando i metodi "Immersione libera" o "Regolazione della maniglia dell'avvolgitore" qui sotto.



Nota: Per bloccare la fresatrice a una particolare profondità di taglio, immergere la testa della fresatrice verso il basso e ruotare la Leva di blocco immersione (11) nella sua posizione inferiore. Ciò terrà la testa della fresa ferma in posizione.

- Ci sono tre metodi di regolazione della profondità di taglio, a seconda del livello di precisione e di controllo richiesti:

Immersione libera

1. La regolazione della profondità di affondamento a mano libera può essere effettuata con il tasto di selezione della modalità di affondamento (18) attivato. Premere il pulsante di selezione dell'immersione in profondità all'interno della maniglia avvolgitore finché non scatta verso l'interno e attiva la modalità ad immersione (Immagine A)
2. **Rilasciare la Leva di blocco immersione (11)** e spingere il corpo della fresatrice fino a raggiungere la profondità richiesta, quindi bloccare nuovamente la Leva di blocco immersione

Regolazione della manopola dell'avvolgitore

1. Le regolazioni della profondità di immersione possono essere fatte ruotando la manopola dell'avvolgitore (19)
2. Disinnestare il pulsante di selezione immersione tasto (18) e verificare che il pulsante funzioni in modo scorrevole con la manopola dell'avvolgitore
3. Per rilasciare la manopola dell'avvolgitore, tirare l'Anello di blocco impugnatura avvolgitore (17) verso l'interno (Immagine B)
4. **Rilasciare la Leva di blocco immersione (11)** e ruotare la manopola dell'avvolgitore fino a raggiungere la profondità di taglio desiderata. Rilasciare l'Anello di blocco impugnatura avvolgitore e bloccare la Leva di blocco immersione

Micro avvolgitore

Nota: Da usare solo nella modalità di affondamento con manopola dell'avvolgitore (19).

1. Disinserire il tasto di selezione della modalità di affondamento (18) e accertarsi che la leva di bloccaggio affondamento (11) sia sbloccata.

Nota: Se il Micro Avvolgitore (20) viene girato con la leva di bloccaggio affondamento attivata, il micro-avvolgitore inizierà a fare clic e ad andare a vuoto, e la profondità di taglio resterà invariata.

2. Girare la manopola di comando del micro-regolatore in senso orario per aumentare la profondità di taglio e in senso antiorario per ridurla. Regolare la profondità di taglio fino a raggiungere l'altezza desiderata.

Nota: Quando si raggiunge la fine dell'intervallo di regolazione della profondità il micro-regolatore diventerà molto più duro da girare e inizierà a fare clic e andare a vuoto.

3. Innestare la Leva di Blocco Immersione, in particolare per i tagli più impegnativi

Arresto profondità e torretta

1. L'arresto profondità (3) e la Torretta (1) sono usati nella modalità di affondamento a mano libera per predisporre accuratamente tre diverse profondità di taglio
2. Allentare la Manopola di blocco stop profondità (5) e ritirare completamente lo Stop di profondità, quindi serrare nuovamente (Immagine F)
3. Impostare i perni della torretta sulle profondità di immersione richieste servendosi delle scale sul perno della torretta stazionaria (Immagine G)

Nota: Per cambiare i perni della torretta, ruotare tutto il gruppo torretta fino ad allinearli con lo stop di profondità.

4. Con la fresatrice desiderata installata sull'anello metallico (24), regolare la profondità di immersione fino a che la punta della fresatrice non tocchi il pezzo da sottoporre a lavorazione.

5. Ruotare la torretta fino a che il perno torretta fissa non si trova in linea con lo stop di profondità. Rilasciare lo stop, consentendogli di posizionarsi sul perno, quindi serrare nuovamente la Manopola di blocco stop profondità. Ora la profondità di immersione è impostata su zero.
6. Ruotare i Blocchi torretta fino a che il perno torretta con la profondità di immersione adeguata non sarà allineato con lo stop di profondità

Boccole guida modello opzionale

Sono disponibili varie boccole guida modello per l'uso della fresatrice con modelli. I kit di accessori sono disponibili presso il proprio dettagliante locale Triton.

Eseguire un taglio

Nota: NON usare mai la fresatrice a mano libera senza avere una guida. La guida può essere fornita da una fresa di fresatrice su cuscinetto, da una guida fornita in dotazione o da un bordo dritto (Immagine I).

1. Tenere sempre la fresa con entrambe le mani servendosi delle maniglie presenti. Accertarsi che il pezzo da sottoporre a lavorazione non si muova. Ove possibile, servirsi di pinze.
2. Consentire al motore di raggiungere la velocità di funzionamento massima
3. Abbassare la fresa della fresatrice sul pezzo di lavoro spostando lentamente la fresatrice, tenendo la piastra di base appiattita contro il pezzo da sottoporre a lavorazione
4. Qualora si stiano tagliando delle estremità, il taglio del pezzo da sottoporre a lavorazione dovrebbe trovarsi sul lato sinistro rispetto alla direzione di taglio (Fig. I). Mantenere la pressione costante e consentire alla fresa di lavorare in modo stabile lungo il materiale. Attenzione: i nodi e altre variazioni rallenteranno la velocità di avanzamento.

Nota: Per evitare le vibrazioni del codolo, puntare la il taglio il senso anti-orario per i tagli esterni, e in senso orario per i tagli interni.

Nota: Uno spostamento troppo rapido della fresatrice potrebbe causare finiture poco curate oltre che un sovraccarico del Motore (6). Uno spostamento troppo lento della fresa può causare il surriscaldamento del pezzo sottoposto a lavorazione.

Nota: Il normale funzionamento della fresatrice prevede l'immersione della testa dopo l'accensione del dispositivo stesso

Nota: Non usare la fresatrice al contrario a meno che non sia saldamente montata su un apposito banco dotato delle protezioni adeguate (marca Triton).

Esecuzione di tagli con più passaggi

1. Il Blocco torretta (1) consente di ottenere la velocità di taglio massima in un numero di passaggi determinati dall'operatore. Ogni passaggio della torretta può essere pre-impostato regolando la ruota sul perno della torretta.
2. Ruotare lo stop torretta in modo tale che lo stop di profondità (3) contatti il perno torretta pre-impostato più alto quando la fresatrice inizia il processo di immersione. Sarà ora possibile eseguire il primo passaggio di taglio

3. Continuare a eseguire passaggi, ruotando il blocco torretta e regolando la profondità del perno torretta per ogni passaggio, fino a quando non sarà necessario, e fino a quando non sarà stata raggiunta la piena profondità di taglio.

Taglio circolare

1. Montare la piastra base estesa (28) senza guida (23) alla fresatrice.
 2. Rimuovere il perno di montaggio per taglio circolare (27) dalla piastra base estesa e fissarlo al centro del pezzo da lavorare con un chiodino o una vitina inserita nei fori della zona dell'attacco perno (Immagine M) Lasciare in posizione la vite di montaggio del perno.
 3. Calare la fresatrice verticale e la piastra base sull'attacco del perno e rimontare la rosetta e il dado ad alette (Immagine N).
 4. Con l'interruttore di accensione spento "Off", girare la fresatrice verticale sul percorso previsto controllando le dimensioni del cerchio per effettuare le necessarie correzioni
 5. Effettuare diversi passaggi per fare il cerchio, aumentando leggermente la profondità di taglio, per esempio di 2 mm ad ogni passaggio (Immagine N). Non cercare di tagliare a fondo con un solo passaggio.
- Taglio completo da parte a parte: Per tagliare il materiale da parte a parte, fissare un pezzo di materiale di scarto sotto il pezzo da lavorare. Tagliare un cerchio di dimensioni maggiori, e quando il pezzo sarà stato tagliato completamente fino in fondo, ridurre il diametro ed effettuare altri passaggi leggeri dell'intera profondità (da parte a parte) fino a ottenere le dimensioni desiderate.

Uso come utensile da banco

⚠ AVVERTENZA: Quando il dispositivo viene utilizzato col modulo banco di lavoro per fresatrice TWX7RT001, il diametro massimo di taglio è 50 mm. Ciò è imposto dalle specifiche tecniche del banco di lavoro.

Nota: L'inserimento e l'uso della fresatrice sull'apposito banco dovrebbe essere eseguito in conformità col materiale informativo fornito in dotazione con la fresatrice.

Nota: Anche se questo prodotto è stato progettato per il funzionamento efficiente e pratico sulla maggior parte dei banchi per fresatrice verticale, è particolarmente adatto all'uso con i banchi Triton TWX7RT001.

Nota: Le regolazioni della fresatrice sono estremamente facili servendosi delle funzioni uniche precedentemente descritte all'interno del presente manuale. Cfr. le sezioni "Installazione dell'anello metallico e della fresatrice" e "Regolazione della profondità di taglio".

IMPORTANTE: È NECESSARIO rimuovere la molla d'immersione prima di montare la fresatrice in un banco fresa:

1. Impostare la fresatrice sul valore più alto dell'intervallo di immersione e attivare la leva di bloccaggio immersione (11).
2. Allentare la piccola vite vicino al cappuccio della molla di immersione (21) di alcuni giri (Immagine O)
3. Usando il palmo della mano, applicare una pressione verso il basso sul tappo di accesso alla molla a immersione e afferrare saldamente il tappo di accesso alla molla a immersione con l'altra mano per evitare che la molla a immersione scatti verso l'alto quando viene rilasciato. Mantenendo la pressione verso il basso e una presa salda, ruotate il tappo di accesso della molla a immersione in senso antiorario per rimuoverlo (Immagine P)

⚠ AVVERTENZA: La molla a immersione è tesa con grande forza per permettere un'azione di immersione regolare. Il tappo di accesso alla molla a immersione e la molla a immersione scattano rapidamente verso l'alto con la stessa forza una volta che è stato svitato. Fate attenzione a non rilasciare il tappo di accesso della molla a immersione in modo incontrollato, che potrebbe causare lesioni personali.

4. Lasciare lentamente che il tappo di accesso della molla a immersione si sollevi verso l'alto una volta rilasciato (Immagine Q)
5. Rimuovere la molla e conservarla in un luogo sicuro
6. Rimettere a posto il cappuccio del tappo e stringere nuovamente la vite

⚠ AVVERTENZA: Quando si reinserisce la molla a immersione, controllare attentamente che il tappo di accesso alla molla a immersione sia fissato correttamente. Dovrebbe essere parallelo al corpo dell'attrezzo senza alcuno spazio visibile, e la vite di fissaggio dovrebbe essere posizionata correttamente per evitare che il tappo di accesso alla molla a immersione si sviti accidentalmente.

NOTA: Accertarsi che la molla di immersione sia sempre montata prima di usare l'utensile a mano libera

IMPORTANTE: Prima di montare la fresatrice sotto il tavolo della fresatrice, assicurarsi che la manopola di blocco stop profondità (5) sia allentata e che la leva di blocco immersione (11) sia sbloccata.

- L'Avvolgitore d'altezza del banco (25) si innesta col Punto di collegamento dell'avvolgitore di regolazione dell'altezza del banco (14) per una regolazione facile e veloce sopra al banco quando la fresatrice è installata su un banco.

Installazione del tasto di bypass NVR (No Voltage Release)

La fresatrice TRA001 ha una funzione No Voltage Release (NVR), ovvero un interruttore di rilascio in mancanza di corrente, che impedisce il riavvio automatico del motore dopo un'interruzione di corrente. Per ripristinare l'utensile, l'interruttore deve essere riportato in posizione OFF prima di riaccenderlo. Quando si utilizza il Workcentre TWX7 (con il tavolo fresatrice TWX7RT001) o un tavolo fresatrice di terzi, che ha la propria protezione NVR, questa funzione può essere resettata inserendo la chiave di reset NVR (29). In questo modo il funzionamento ON/OFF dell'utensile può essere controllato dall'interruttore ON/OFF del banco fresatrice.

1. Avvitare la chiave di reset NVR nella connessione della chiave di reset NVR (22) e stringere delicatamente a mano (immagine T)
2. Fissare la staffa al lato inferiore del centro di lavoro (immagine U)
3. Accendere la fresatrice e utilizzare l'interruttore ON/OFF della tavola della fresatrice per controllarla

⚠ AVVERTENZA: Utilizzare il tasto di reset NVR SOLO quando la fresatrice è collegata a una fonte di alimentazione a sua volta protetta da un sistema di protezione contro il rilascio di tensione, come il Workcentre Triton TWX7. Assicurarsi SEMPRE che la staffa sia collegata al tavolo della fresatrice per evitare di rimuovere accidentalmente la fresatrice senza rimuovere la chiave di reset.

Accesso alle filettature delle viti della piastra di base

1. Per montare la fresatrice su banchi di altri produttori o su strutture realizzate autonomamente, togliere le 4 viti della piastra di base indicate nell'Immagine S e togliere la piastra di base.

2. Ci sono 2 set di filettature di viti, come indicato nella Fig. II.
Ci sono 4 filettature viti 1/4 UNC (A) usate per tenere fissata la piastra di base che sono al tempo stesso adatte per il montaggio su banco lavoro, oltre a un ulteriore set di 3 viti M6 (B)

Nota: Le filettature M6 non sono disponibili sulle versioni precedenti della fresatrice TRA001.

Accessori

Un'ampia gamma di accessori per questo dispositivo sono disponibili dal proprio grossista Triton, compresa un'ampia selezione di frese/punte per fresatrice. I pezzi di ricambio, comprese le spazzole di carbonio, le boccole delle guide e gli anelli metallici sono disponibili presso il proprio fornitore Triton oppure sul sito www.toolsparesonline.com

Manutenzione

⚠ AVVERTENZA: Scollegare SEMPRE dalla corrente prima di eseguire eventuali interventi di ispezione, manutenzione o pulizia.

Ispezione generale

- Controllare regolarmente che tutte le viti di fissaggio siano ben salde
- Prima di ogni utilizzo, controllare che il cavo di alimentazione non presenti danni o segni di usura. Le riparazioni devono essere eseguite da un centro assistenza autorizzato Triton. Questo consiglio vale anche per le prolunghe utilizzate con questo utensile

Pulizia

⚠ AVVERTENZA: Indossare SEMPRE dispositivi di protezione, inclusa una protezione per gli occhi e dei guanti quando si pulisce l'utensile.

- Mantenere l'utensile sempre pulito. Lo sporco e la polvere potrebbero logorare velocemente le parti interne e ridurre la durata di vita della macchina
- Pulire il corpo della macchina con una spazzola morbida o un panno asciutto
- Non utilizzare mai agenti caustici per pulire le parti in plastica. Se la pulizia a secco non dovesse essere sufficiente, utilizzare un detergente delicato su un panno umido
- L'utensile non deve mai entrare in contatto con l'acqua
- Assicurarsi del fatto che l'utensile sia completamente asciutto prima di utilizzarlo
- Ove disponibile, usare aria pulita, secca e compressa tramite i fori di ventilazione

Lubrificazione

- Lubrificare leggermente tutte le parti mobili ad intervalli regolari con un lubrificante spray adatto

Spazzole

- Nel corso del tempo le spazzole di carbonio all'interno del Motore (6) si potrebbero usurare
- Delle spazzole eccessivamente usurate possono causare perdita di corrente, funzionamento a intermittenza o scintille visibili a occhio nudo

- Per sostituire le spazzole, togliere i due Coperchi di accesso alle spazzole (9). Togliere con attenzione le spazzole consumate (Immagine R) e verificare che gli attacchi siano puliti. Sostituire con attenzione, montando spazzole nuove, quindi sostituire i Coperchi di accesso alle spazzole.
- Al termine dell'operazione di inserimento, far funzionare la fresatrice a vuoto per 2-3 minuti per consentire alle spazzole di fissarsi adeguatamente in posizione. Il processo di fissaggio delle spazzole potrebbe durare per alcuni utilizzi. Potrebbero fuoriuscire delle scintille dal motore fino a che le nuove spazzole in carbonio non saranno perfettamente posizionate.
- In alternativa, rivolgersi a un centro assistenza autorizzato per sottoporre la macchina a manutenzione.

Contatti

Per consigli tecnici e per eventuali riparazioni, si prega di contattare il nostro servizio di assistenza telefonico al numero (+44) 1935 382 222

Sito web: www.tritontools.com

Indirizzo (RU):

Toolstream Ltd.
Boundary Way
Lufton Trading Estate
Yeovil, Somerset
BA22 8HZ, Regno Unito

Indirizzo (UE):

Toolstream B.V.
Hogeweg 39
5301 LJ Zaltbommel
Paesi Bassi

Conservazione

- Conservare questo utensile con cura in un luogo sicuro, asciutto e lontano dalla portata dei bambini

Smaltimento

Rispettare sempre le normative nazionali per lo smaltimento di elettroattrezzi che non sono più funzionali e non sono atti alla riparazione.

- Non gettare utensili elettrici o apparecchiature elettriche ed elettroniche (RAEE) con i rifiuti domestici
- Contattare l'autorità locale di smaltimento rifiuti per informazioni sul modo corretto di smaltire gli utensili elettrici

Risoluzione dei problemi

Problema	Possibile causa	Soluzione
Nessun funzionamento quando viene usato l'interruttore a bilanciere On/Off (8)	Assenza di alimentazione	Controllare la sorgente di alimentazione.
	Interruttore a bilanciere On/Off difettoso	Far sostituire l'interruttore a bilanciere On/Off in un centro di assistenza Triton autorizzato.
Profilo di taglio non adeguato	Stop profondità (3) non regolato correttamente	Verificare che lo stop profondità corrisponda al taglio massimo consentito dagli stop torretta (1).
	Fresa inserita in modo errato o allentata/Anello metallico (24)	Serrare la fresatrice / l'anello metallico e il gruppo fresa.
La fresatrice non funziona	Assenza di alimentazione	Verificare che la fonte di alimentazione sia disponibile.
	Spazzole usurate o appiccicose	Scollegare l'alimentazione, aprire i Coperchi di accesso alla spazzola (9) e verificare che le spazzole non siano danneggiate o gravemente usurate.
	L'interruttore è guasto Componenti del motore guaste o cortocircuitate	Rivolgersi a un centro assistenza autorizzato Triton per intervenire sul dispositivo.
La fresatrice funziona o taglia lentamente	Fresa non affilata o danneggiata	Affilare nuovamente o sostituire la fresa.
	Controller di velocità (10) impostato basso	Aumentare l'impostazione della velocità variabile.
	Il motore è sovraccarico	Ridurre la forza di pressione sulla fresatrice.
Vibrazioni eccessive	Fresa inserita in modo errato o allentata	Inserire o serrare nuovamente la fresa.
	Fresa piegata o danneggiata	Sostituire la fresa.
Eccessive scintille all'interno dell'alloggiamento del motore	Le spazzole non si muovono liberamente	Scollegare l'alimentazione, togliere le spazzole, pulire o sostituire.
	Motore danneggiato o usurato	Rivolgersi a un centro assistenza autorizzato Triton per intervenire sul dispositivo.
Il Micro Avvolgitore (20) "scatta" o non si fissa in posizione	Leva di blocco immersione (11) innestata	Rilasciare la Leva di blocco immersione.
	È stata raggiunta la fine della gamma di regolazione	Resetare il micro-avvolgitore e impostare la profondità con lo stop di profondità (3).
Emette un rumore strano	Ostruzione meccanica	Rivolgersi a un centro assistenza autorizzato Triton per intervenire sul dispositivo.
	Danni agli avvolgimenti interni	

Garanzia

Per la registrazione della garanzia visitare il sito web tritontools.com* e inserire i propri dettagli.

Informazioni sull'acquisto

Data di acquisto: ___ / ___ / ___

Modello N.: **TRA001**

Conservare lo scontrino come prova dell'acquisto

Triton Precision Power Tools garantisce all'acquirente di questo prodotto che, se qualsiasi parte dovesse presentare difetti di materiale o di fabbricazione entro 3 ANNI dalla data di acquisto originale, Triton riparerà o sostituirà, a sua discrezione, la parte difettosa gratuitamente.

Questa garanzia non si applica ad uso commerciale né si estende alla normale usura o a danni a seguito di incidenti, abuso o uso improprio dell'utensile.

Registra il tuo prodotto on-line entro 30 giorni dall'acquisto.

Vengono applicati i termini e le condizioni generali.

Ciò non pregiudica i tuoi diritti legali

Traducción del manual original

Introducción

Gracias por haber elegido esta herramienta Triton. Estas instrucciones contienen la información necesaria para utilizar este producto de forma segura y eficaz. Lea atentamente este manual para obtener todas las ventajas y características únicas de su nueva herramienta. Conserve este manual a mano y asegúrese de que todas las personas que utilicen esta herramienta lo hayan leído y entendido correctamente. Guarde estas instrucciones con el producto para poder consultarlas en el futuro.

Descripción de los símbolos

Los siguientes símbolos pueden aparecer en la placa de características de su herramienta. Estos símbolos representan información importante sobre el producto o instrucciones relativas a su uso.



Lleve protección auditiva
Lleve protección ocular
Lleve protección respiratoria
Lleve un casco de seguridad



Lleve guantes de seguridad



ADVERTENCIA - Para reducir el riesgo de lesiones, el usuario debe leer y comprender completamente el manual de instrucciones.



¡Peligro!



¡Atención! Cuchillas/dientes muy afilados



NO utilizar en ambientes húmedos o bajo la lluvia



Desconecte siempre la herramienta de la toma eléctrica antes de realizar cualquier tarea de mantenimiento, sustituir accesorios o cuando no la esté utilizando.



Se recomienda/necesita utilizar un dispositivo de extracción de polvo



Protección clase II (doble aislamiento para mayor protección)



Protección medioambiental
Los productos eléctricos usados no se deben mezclar con la basura convencional. Por favor, recicle el producto en las instalaciones correspondientes. Solicite información a su ayuntamiento o distribuidor sobre las opciones de reciclaje.



Conforme a las normas de seguridad y la legislación correspondiente.

Abreviaturas de términos técnicos

V	Voltio/s
~, CA	Corriente alterna
A	Amperio/s
Hz	Hercio/s
W, kW	Vatio/s, kilovatio/s
min ⁻¹	(revoluciones/oscilaciones) por minuto

Características técnicas

Modelo:	TRA001
Tensión:	220 – 240 V~, 50/60 Hz
Tensión máxima de entrada:	9,1 A
Potencia máxima de salida:	2400 W
Velocidad sin carga:	8.000 – 21.000 min ⁻¹
Pinza de apriete:	RU/UE: 1/2" y 12 mm AUS/SDA: 1/2" y 1/4"
Diámetro máximo de la fresa:	55 mm (50 mm cuando se utilice con la mesa de fresado TWX7RT001)
Tamaño máximo de la fresa:	1/2" (RUS: 12,7 mm)
Ajuste de altura:	1) Ajuste libre 2) Ajustador en la empuñadura 3) Microajustador
Ajuste de profundidad:	0 – 68 mm
Grado de protección:	IPX0
Clase de protección:	□
Longitud del cable de alimentación:	3 m
Dimensiones (L x An x A):	180 x 300 x 310 mm
Peso:	6,5 kg
Como parte de nuestra política de desarrollo de productos, los datos técnicos de los productos Triton pueden cambiar sin previo aviso.	

Información sobre ruido y vibración:	
Presión acústica L_{PA} :	84,2 dB(A)
Potencia acústica L_{WA} :	95,2 dB(A)
Incertidumbre K:	3 dB(A)
Vibración ponderada a_h :	5,4 m/s ²
Incertidumbre K:	1,5 m/s ²
El nivel de intensidad sonora para el usuario puede exceder de 85 dB(A). Se recomienda usar medidas de protección sonora.	

⚠ ADVERTENCIA: Utilice siempre protección auditiva cuando el nivel ruido exceda 85 dB(A) o cuando esté expuesto durante largos periodos de tiempo. Si por algún motivo nota algún tipo de molestia auditiva incluso llevando orejeras de protección, detenga inmediatamente la herramienta y compruebe que las orejeras de protección estén colocadas adecuadamente.

⚠ ADVERTENCIA: La exposición a la vibración durante la utilización de una herramienta puede provocar pérdida del sentido del tacto, entumecimiento, hormigueo y disminución de la capacidad de sujeción. La exposición durante largos periodos de tiempo puede provocar enfermedad crónica. Si es necesario, limite el tiempo de exposición a la vibración y utilice guantes anti-vibración. No utilice la herramienta cuando sus manos estén muy frías, las vibraciones tendrán un mayor efecto. Utilice los datos técnicos de su herramienta para evaluar la exposición y medición de los niveles de ruido y vibración.

⚠ ADVERTENCIA: Las vibraciones producidas durante el uso de esta herramienta pueden ser diferentes al valor total declarado y pueden variar dependiendo del tipo de método de uso de esta herramienta. Por lo tanto, será necesario aplicar todas las medidas de seguridad apropiadas para proteger al usuario durante el uso de esta herramienta. Habrá que tener en cuenta todos los aspectos relacionados con el ciclo de trabajo (apagado de la herramienta, funcionamiento sin carga y tiempo de accionamiento).

El nivel total de vibraciones producidas ha sido medido mediante un proceso estándar y podrá evaluarse tomando como referencia los datos de emisión comparativos de máquinas similares. El nivel de vibración total también podrá utilizarse en una evaluación de exposición previa.

Los niveles de vibración y ruido están determinados según las directivas internacionales vigentes. Los datos técnicos se refieren al uso normal de la herramienta en condiciones normales. Una herramienta defectuosa, mal montada o desgastada puede incrementar los niveles de ruido y vibración. Para más información sobre ruido y vibración, puede visitar la página web www.osha.europa.eu

Instrucciones de seguridad para herramientas eléctricas

⚠ ADVERTENCIA: Lea siempre cuidadosamente todas las advertencias e instrucciones de seguridad para utilizar este producto de forma segura. No seguir estas instrucciones podría causar una descarga eléctrica, incendio y/o lesiones graves.

Conservar estas instrucciones para futuras referencias.

El término "herramienta eléctrica" descrito en este manual se refiere a una herramienta alimentada por conexión eléctrica mediante cable (herramienta alámbrica) o una herramienta eléctrica alimentada por batería (herramienta inalámbrica).

1) Seguridad en el área de trabajo

- Mantenga el área de trabajo limpia y bien iluminada.**
Las áreas desordenadas y poco iluminadas pueden provocar accidentes.
- No utilice herramientas eléctricas en atmósferas explosivas que contengan líquidos, gases o polvos inflamables.**
Las herramientas eléctricas producen chispas que pueden incendiar el polvo o los vapores.
- Mantenga alejados a los niños y personas que se encuentren a su alrededor mientras está trabajando con una herramienta eléctrica.** Las distracciones pueden hacerle perder el control de la herramienta.

2) Seguridad eléctrica

- El enchufe de su herramienta eléctrica debe coincidir con la toma de corriente. No modifique nunca el enchufe. No utilice enchufes de adaptadores con herramientas eléctricas conectadas a tierra (puestas a tierra).**
Los enchufes si modificar y el uso de tomas de corrientes adecuadas reducirán el riesgo de descargas eléctricas.
- Evite el contacto con materiales conductores tales como tuberías, radiadores, estufas y refrigeradores.**
El riesgo de descarga eléctrica se incrementa si su cuerpo está expuesto a materiales conductores.
- No utilice las herramientas eléctricas bajo la lluvia o en zonas extremadamente húmedas.**
Si entra agua en la herramienta eléctrica, aumentará el riesgo de descarga eléctrica.
- No doble el cable de alimentación. Nunca utilice el cable para transportar, tirar o desenchufar la herramienta eléctrica.** Mantenga el cable alejado del calor, el aceite, los bordes afilados y las piezas móviles. Los cables dañados o enredados aumentan el riesgo de descarga eléctrica.
- Use un cable de extensión adecuado para uso exterior cuando utilice la herramienta eléctrica en áreas exteriores.**
El uso de un cable adecuado para exteriores reducirá el riesgo de descargas eléctricas.
- Si es inevitable trabajar con una herramienta eléctrica en lugares húmedos, use un suministro protegido por un interruptor diferencial o disyuntor por corriente diferencial o residual (RCD).** El uso de un RCD reduce el riesgo de descargas eléctricas.
- Cuando utilice esta herramienta en Australia o Nueva Zelanda, se recomienda conectar esta herramienta SIEMPRE una toma de corriente protegida con dispositivo de protección de corriente diferencial residual de 30 mA inferior.**

- h) **Utilice un cable alargador adecuado. Asegúrese de que el cable alargador este en perfectas condiciones. Asegúrese de que el cable sea lo suficientemente resistente para el nivel de corriente requerido.** Un cable más fino disminuirá la tensión de corriente y provocará la pérdida de potencia y sobrecalentamiento de la herramienta.
- 3) **Seguridad personal**
- a) **Manténgase alerta, fíjese en lo que está haciendo y use el sentido común cuando esté utilizando una herramienta eléctrica.** No use una herramienta eléctrica cuando esté cansado o bajo la influencia de drogas, alcohol o medicamentos. Distraerse mientras esté utilizando una herramienta eléctrica puede provocar lesiones corporales graves.
- b) **Use equipo de protección personal. Use siempre protección ocular.** El uso de dispositivos de seguridad personal (mascarillas antipolvo, calzado de seguridad antideslizante, casco de protección y protección auditiva) reducirá el riesgo de lesiones corporales.
- c) **Evite el arranque accidental de la herramienta. Asegúrese de que el interruptor esté en la posición de apagado antes de enchufar la herramienta.** Nunca transporte herramientas con el dedo colocado en el interruptor o con el interruptor en posición de encendido.
- d) **Retire todas las llaves de ajuste antes de encender la herramienta.** Una llave colocada sobre una parte móvil de la herramienta eléctrica puede causar lesiones graves.
- e) **No adopte posturas forzadas. Mantenga la postura y el equilibrio en todo momento.** Esto permite un mejor control de la herramienta eléctrica en situaciones inesperadas.
- f) **Vístase de manera apropiada. No lleve ropa holgada ni joyas.** Mantenga el cabello, la ropa y guantes lejos de las piezas en movimiento. La ropa holgada, las joyas o el cabello largo pueden quedar atrapados en las piezas en movimiento.
- g) **Utilice siempre un dispositivo de extracción de polvo/aspiradora y asegúrese de utilizarlos de manera apropiada.** El uso de estos dispositivos reducirá los peligros relacionados con el polvo.
- h) **No deje que la familiaridad con el producto a base de utilizarlo repetidamente sustituya las normas de seguridad indicadas para utilizar esta herramienta.** Utilizar esta herramienta de forma incorrecta puede causar daños y lesiones personales.
- 4) **Uso y mantenimiento de las herramientas eléctricas**
- a) **Nunca fuerce la herramienta eléctrica. Utilice esta herramienta eléctrica de forma adecuada.** Utilice su herramienta de forma correcta para cada aplicación.
- b) **No use esta herramienta eléctrica cuando el interruptor de encendido/apagado esté averiado.** Cualquier herramienta eléctrica que no se pueda controlar con el interruptor de encendido/apagado será peligrosa y debe ser reparada inmediatamente.
- c) **Desenchufe siempre la herramienta o retire la batería antes de realizar cualquier ajuste, cambiar accesorios o almacenar la herramienta.** Estas medidas de seguridad preventivas evitarán el arranque accidental de su herramienta eléctrica.
- d) **Guarde siempre las herramientas eléctricas fuera del alcance de los niños. No permita que las personas que no estén familiarizadas con estas instrucciones utilicen la herramienta.** Las herramientas eléctricas son peligrosas en manos de personas que no estén capacitadas para su uso.
- e) **Compruebe regularmente el funcionamiento de sus herramientas eléctricas. Asegúrese de que no haya piezas en movimiento desalineadas o trabadas, piezas rotas o cualquier otro problema que pueda afectar al funcionamiento de la herramienta.** Repare siempre las piezas dañadas antes de utilizar la herramienta. Muchos accidentes son causados por herramientas eléctricas que carecen de un mantenimiento adecuado.
- f) **Las herramientas de corte deben estar siempre afiladas y limpias.** Las herramientas de corte correctamente afiladas son menos propensas a trabarse y son más fáciles de controlar.
- g) **Utilice esta herramienta eléctrica y los accesorios según el manual de instrucciones y teniendo en cuenta las condiciones y el trabajo que necesite realizar.** El uso de cualquier accesorio diferente a los mencionados en este manual podría ocasionar daños o lesiones graves.
- h) **Mantenga siempre las empuñaduras y superficies de sujeción limpias y libres de grasa.** Las empuñaduras y superficies resbaladizas pueden provocar la pérdida de control de la herramienta de forma inesperada.
- 5) **Mantenimiento y reparación**
- a) **Repare siempre su herramienta eléctrica en un servicio técnico autorizado. Utilice únicamente piezas de recambio idénticas y homologadas.** Esto garantizará un funcionamiento óptimo y seguro de su herramienta eléctrica.

Instrucciones de seguridad para fresadoras

ADVERTENCIA

- **Sujete la herramienta siempre por las empuñaduras aisladas para evitar el riesgo de descargas eléctricas en caso de accidente.** El contacto del accesorio con un cable bajo tensión podría provocar descargas eléctricas al usuario.
- **Sujete la pieza de trabajo en una plataforma estable.** Sujetar la pieza de trabajo con las manos o cerca de usted podría provocar la pérdida de control.
- **El cable de alimentación deberá ser sustituido solamente por un servicio técnico autorizado o por el fabricante.**
- **Se recomienda conectar esta herramienta a tomas de corriente protegida con dispositivo de protección de corriente diferencial residual de 30 mA o inferior.**
- a) **Use equipo de seguridad como gafas de seguridad o una visera protectora, protección auditiva, mascarilla contra el polvo y ropa protectora, incluyendo guantes de seguridad.**
- b) **No debe dejar nunca trapos, ropa, cuerda, cable o similares alrededor de la zona de trabajo.**
- c) **Asegúrese de que la tensión de su suministro de red sea la misma que la placa de identificación de su herramienta.**
- d) **Cuando necesite un cable de extensión, debe asegurarse de que tenga la intensidad de corriente adecuada para su herramienta eléctrica y que esté en buen estado.**
- e) **Desenrolle totalmente los cables de extensión para evitar un posible calentamiento.**

- f) **Utilice detectores para determinar si existen cables o tuberías ocultas en la pieza o zona de trabajo.**
 Contacte con las compañías de suministro si es necesario. El contacto con cables bajo tensión puede provocar una descarga eléctrica o un incendio. Dañar una tubería de gas podría provocar una explosión. Dañar una tubería de agua podría provocar daños graves en la zona de trabajo.
- g) **Asegúrese de haber retirado los objetos extraños como clavos y tornillos de la pieza de trabajo antes de iniciar la operación.**
- h) **Manipule las fresas con mucha precaución; pueden estar extremadamente afiladas.**
- i) **Inspeccione la fresa cuidadosamente antes de utilizarla.**
 Sustituya las fresas rotas o dañadas inmediatamente.
- j) **Asegúrese de que las fresas estén afiladas y en buen estado.** Tenga precaución al realizar cortes en cantos y bordes ya que podría ser peligroso.
- k) **Sujete siempre la fresadora por las empuñaduras utilizando ambas manos antes de comenzar el corte.**
- l) **Mantenga las empuñaduras siempre limpias de suciedad, grasa, lubricante o aceite.**
- m) **Antes de utilizar la herramienta, conéctela y déjela en funcionamiento durante unos instantes.**
 Compruebe que no existan ruidos y vibraciones anormales causadas por una instalación de la fresa incorrecta.
- n) **Observe la dirección de giro de la fresa y la dirección de avance.**
- o) **Mantenga las manos alejadas de la fresa y la zona de corte.** Utilice siempre las empuñaduras auxiliares para sujetar correctamente la herramienta.
- p) **Nunca encienda la fresadora mientras la fresa esté en contacto con la pieza de trabajo.**
- q) **Asegúrese que el muelle de profundidad esté siempre montado cuando use la herramienta a mano.**
- r) **Asegúrese que la fresa está completamente parada antes de colocar la fresadora en posición de bloqueo de la pinza de apriete.**
- s) **La velocidad máxima de la fresa deberá ser como mínimo igual de rápida que la velocidad máxima de la herramienta.**
- t) **Las fresas se calentarán durante el uso.**
 Nunca toque las fresas inmediatamente después de usarlas, podría provocar quemaduras graves.
- u) **No deje que la fresa entre en contacto con materiales inflamables.**
- v) **Use sólo fresas con un diámetro de vástago compatible con la pinza de apriete suministrada con esta fresadora.**
 Las fresas incompatibles podrían vibrar y salir despedidas hacia el usuario.
- w) **Nunca utilice el botón de bloqueo del husillo cuando la fresadora esté en funcionamiento.**
- x) **Presione ligeramente cuando realice un corte y deje que la fresa trabaje por sí misma.** Nunca presione excesivamente, de esta forma evitará la sobrecarga del motor.
- y) **Asegúrese de que los símbolos y las advertencias indicadas en la herramienta se puedan leer correctamente.**
 Sustitúyalas inmediatamente si están dañadas.
- z) **Tenga precaución cuando esté realizando un corte, si la fresa queda atascada podría provocar la pérdida de control de la herramienta y causar daños graves.** Compruebe siempre que las fresas estén en buen estado. En caso de accidente, suelte inmediatamente el interruptor de encendido y apagado.
- **Compruebe durante el funcionamiento que la fresa no se balancee o vibre excesivamente.** Una fresa mal colocada podría provocar la pérdida de control de la herramienta y dañar gravemente al usuario.
 - **Tenga especial precaución para no sobrecargar el motor cuando utilice fresas con un diámetro superior a 50 mm.** Use velocidades de avance muy bajas o repita el corte por etapas para evitar sobrecargar el motor.
 - **Desconecte la herramienta y espere siempre hasta que la fresa se haya detenido completamente antes de retirar la fresadora de la pieza de trabajo.**
 - **Desenchufe la herramienta de la toma de corriente antes de realizar cualquier ajuste o tarea de mantenimiento.**
 - **Incluso cuando se esté utilizando según lo prescrito, no es posible eliminar todos los factores de riesgo residuales.**
 Si tiene alguna duda sobre el funcionamiento de esta herramienta, no la utilice.

⚠ ADVERTENCIA: El polvo generado al utilizar algunas herramientas eléctricas puede ser tóxico. Algunos materiales pueden estar tratados con productos tóxicos. Algunos materiales naturales y sintéticos pueden ser tóxicos. Las pinturas antiguas pueden contener plomo y otros productos químicos peligrosos. Evite exponerse al polvo durante largos periodos de tiempo. Evite el polvo en la cara, la piel, ojos y boca. Utilice siempre mascarilla anti-polvo y un sistema de extracción de polvo. Utilice medidas de protección adicionales cuando esté expuesto al polvo durante largos periodos de tiempo.

Características del producto

1. Tope de torreta
2. Portapiezas
3. Tope de profundidad
4. Ranuras de ventilación
5. Perilla de bloqueo de tope de profundidad
6. Motor
7. Tapa protectora retráctil
8. Interruptor de encendido/apagado
9. Tapa de acceso a las escobillas
10. Ajuste de velocidad
11. Palanca de bloqueo de profundidad
12. Protectores de seguridad
13. Perillas de montaje de la placa de guía
14. Orificio de ajuste de altura
15. Salida de extracción de polvo
16. Bloqueo automático del husillo
17. Embrague de la manivela de ajuste de altura
18. Botón de selección de profundidad
19. Manivela de ajuste

20. Microajustador
21. Tapa de acceso al muelle
22. Toma para la llave de bloqueo NVR
23. Guía paralela
24. Pinza de apriete
25. Manivela de ajuste de altura
26. Llave de ajuste
27. Soporte basculante para cortes circulares
28. Placa de guía
29. Llave de bloqueo

Fig. II

- A. UNC 1/4 x 4
- B. M6 x 3
- C. Orificio para la manivela de ajuste de altura

Aplicaciones

Fresadora eléctrica con ajuste de profundidad, indicada para cortar perfiles, ranuras, cantos y agujeros elípticos en maderas naturales y sintéticas. Se puede utilizar con casquillos guía y plantillas para cortar formas, seguir patrones, puede instalarse de forma estacionaria sobre una mesa de fresado Triton o también puede utilizarse con el Workcentre Triton, y otros sistemas compatibles.

Nota: No indicada para uso comercial.

Esta herramienta SOLO debe utilizarse para el propósito para la cual ha sido diseñada. Cualquier uso distinto a los mencionados en este manual se considerará un uso incorrecto. El fabricante no se hará responsable por los daños causados debido a la utilización incorrecta de esta herramienta. El fabricante no se hace responsable de ningún daño causado por la modificación de este producto.

Desembalaje

- Desembale e inspeccione la herramienta con cuidado. Familiarícese con todas sus características y funciones.
- Asegúrese de que el embalaje incluya todas las piezas y compruebe que estén en buenas condiciones

Antes de usar

⚠ ADVERTENCIA: Desconecte siempre la herramienta de la toma de corriente antes de cambiar o sustituir cualquier accesorio.

⚠ ADVERTENCIA: Periódicamente, durante el uso prolongado o cuando la fresadora ha sido transportada o se ha caído, compruebe que la tapa de acceso al muelle (21) esté correctamente colocada en su posición. Debe quedar paralela al cuerpo de la herramienta y sin ningún espacio visible, y el tornillo de sujeción debe estar correctamente ubicado para evitar que la tapa de acceso al muelle se desenrosque accidentalmente (véase Imagen O). El muelle de inmersión está tensado con fuerza suficiente para causar lesiones graves si se suelta de forma incorrecta. Siga siempre las instrucciones cuidadosamente cuando vaya a retirar o sustituir el muelle.

Instalación de la pinza de apriete y la fresa

Nota: Utilice siempre guantes de protección resistentes a los cortes cuando maneje fresas y accesorios de corte.

1. Coloque la fresadora boca abajo sobre una superficie plana. El motor (6) debe estar apagado y el cable de alimentación desconectado de la toma de corriente.
2. Ajuste la fresadora en la máxima profundidad presionando el embrague de la manivela de ajuste de altura (17) (imagen B) hacia dentro y girando la empuñadura giratoria (19) en sentido horario hasta que la pinza de apriete (24) sobresalga de la base de la fresadora.

Nota: Asegúrese que el tope de profundidad (3) está completamente retraído (véase "Tope de profundidad y torreta"). La pinza de apriete debe sobresalir de la base para que pueda introducir la llave.

3. Utilice la llave de ajuste (26) suministrada para retirar la pinza de apriete. Gire la llave en sentido antihorario para aflojar y retirar la pinza de apriete.
4. Seleccione el tipo de fresa adecuada e insértela en el portapiezas (2) enroscando la pinza de apriete en sentido horario.
5. Introduzca la fresa en la pinza de apriete. Asegúrese de que la mitad del vástago de la fresa (aprox. 20 mm) esté introducido dentro de la pinza de apriete. Utilice la llave de ajuste para girar ligeramente la pinza de apriete y fijarla en su posición requerida. Después de fijar la pinza de apriete, gire la llave en sentido horario para apretar la fresa (imagen C).
6. Ajuste la fresadora a la profundidad de corte por defecto. Esto desenganchará el mecanismo de bloqueo de la pinza de apriete y liberará la tapa protectora retráctil del interruptor, permitiendo el acceso al interruptor de encendido/apagado (8).

Salida de extracción de polvo

Nota: Esta fresadora está equipada con una salida de extracción de polvo (15) para extraer el polvo a través de la parte superior del corte. La salida de extracción de polvo es compatible con tubos de aspiración de 38 mm de diámetro. Este sistema de extracción de polvo también es compatible con el colector de polvo Triton (DCA300).

- El tubo de aspiración se debe introducir girándolo hacia la izquierda (sentido antihorario) (imagen D).

Accesorio opcional: colector de virutas

- Disponemos de un colector de virutas opcional para una extracción eficaz de virutas alrededor de la zona de corte. Se puede conectar a cualquier manguera de 38 mm de diámetro exterior (imagen E).

Instalación de la placa de guía y guía paralela

1. Afloje las perillas de montaje (13) completamente. Esto permitirá ajustar los pivotes de montaje en los orificios de la placa de guía (28).
2. Coloque la fresadora y la placa de guía boca arriba.
3. Apriete las perillas de montaje de la placa de guía hacia dentro para visualizar los pivotes de montaje.
4. Alinee los pivotes de montaje con los orificios de la placa de guía, deslícelos en su posición de ajuste (Imagen K).

Nota: La orientación de la placa de guía puede variar dependiendo del trabajo requerido. Para contornear y perfilar el interruptor de encendido/apagado (8) deberá estar alineado con la parte más corta de la placa de guía.

5. Apriete las perillas de montaje de la placa de guía para fijar la placa de guía en la fresadora.
6. Para montar la guía paralela (23), afloje las perillas de la guía paralela y deslice la guía paralela a través de los carriles de la placa de guía (imagen L). Apriete firmemente las perillas.

Nota: Cuando trabaje a cierta distancia del borde, monte la guía en el extremo largo de la placa de guía.

Nota: Cuando realice trabajos en el borde con una fresa que no disponga guía con rodamientos, monte la guía en el extremo corto de la base (imagen J).

Nota: Cuando utilice una fresa de gran diámetro, puede que necesite fijar listones de madera en ambas caras de la guía paralela. Coloque los listones utilizando los agujeros para tornillos, de esta forma la fresa no entrará en contacto con la guía paralela.

Funcionamiento

⚠️ ADVERTENCIA: Lleve SIEMPRE protección adecuada cuando utilice esta herramienta, incluido protección ocular, protección auditiva y guantes de protección.

Encendido y apagado

Nota: Cuando la fresadora esté conectada a la toma de corriente, el interruptor de encendido/apagado (8) se iluminará tanto en la posición de encendido como apagado.

Nota: La tapa protectora retráctil (7) del interruptor evita la puesta en marcha accidental de la fresadora. Debe retraerse antes de poder encender la fresadora (Imagen A). La tapa permanecerá abierta hasta que apague la fresadora.

1. Asegúrese de que la fresadora esté ajustada a su altura máxima. Compruebe que la fresa no esté en contacto con ningún objeto.
2. Conecte la fresadora a la toma de corriente y deslice el protector retráctil para acceder al interruptor de encendido/apagado.
3. Coloque el interruptor de encendido/apagado en la posición "ON" para encender la fresadora. El protector retráctil le permitirá accionar el interruptor de encendido/apagado.
4. Coloque el interruptor de encendido/apagado en la posición "O" para apagar la fresadora. El protector retráctil volverá a cerrarse en su posición original.

Ajuste de velocidad

Nota: Esta fresadora dispone de varios ajustes de velocidad. Generalmente la fresadora debe ajustarse a la velocidad más alta posible que no produzca quemaduras en la pieza de trabajo. Siga siempre las indicaciones sobre velocidad máxima indicada por el fabricante de la fresa.

- El funcionamiento a velocidad reducida aumenta el riesgo de sobrecarga pudiendo causar daños en la fresadora. Use velocidades de avance bajas o escalone la profundidad.
- El ajuste de velocidad (10) dispone de 5 ajustes diferentes (1 - 5), que corresponden aproximadamente a las velocidades y diámetros de fresa indicados en la tabla mostrada a continuación. Gire el dial para seleccionar la velocidad deseada.

Nivel de ajuste	Velocidad (min ⁻¹)	Diámetro de la fresa
5	21.000	Hasta 25 mm
4	18.000	25 - 50 mm
3	14.500	50 - 65 mm
2	11.000	Superior a 65 mm
1	8.000	Usar solamente en caso de quemaduras

Ajuste de la profundidad de corte

IMPORTANTE:

SI NO SIGUE ESTAS INSTRUCCIONES, PUEDE DAÑAR EL MECANISMO DE AJUSTE DE PROFUNDIDAD.

Asegúrese SIEMPRE de que la palanca de bloqueo de profundidad (11) esté desbloqueada colocándola en su posición más alta antes de ajustar la profundidad de corte mediante los métodos de "Ajuste libre" o "Manivela de ajuste" que se indican a continuación.



Nota: Para ajustar la fresadora a una profundidad de corte requerida, sujete el cabezal de la fresadora hacia abajo y gire la palanca de bloqueo de profundidad (11) hasta su posición más baja. Esto mantendrá el cabezal de la fresadora en esta posición requerida.

- Hay tres métodos para ajustar la profundidad de corte, según la precisión y el control requeridos:

Ajuste libre

1. El modo de ajuste libre puede realizarse activando el botón de selección de profundidad (18). Púlselo a fondo hacia el interior del asa hasta que el botón quede bloqueado (imagen A).
2. **Suelte la palanca de bloqueo de profundidad (11).** Empuje la fresadora hasta alcanzar la profundidad deseada. Bloquee de nuevo la palanca de bloqueo de profundidad.

Manivela de ajuste

1. La profundidad de corte puede ajustarse utilizando la manivela de ajuste (19).
2. Desbloquee el botón de selección de profundidad (18) y colóquelo hasta que quede al mismo nivel que la empuñadura giratoria.
3. Coloque el embrague de la manivela de ajuste de altura (17) hacia dentro para liberar la manivela de ajuste (imagen B).

4. **Suelte la palanca de bloqueo de profundidad (11)** y gire la manivela giratoria hasta alcanzar la profundidad de corte deseada. Suelte el embrague de la manivela de ajuste de altura y bloquee la palanca de bloqueo de profundidad.

Microajustador

Nota: Solo para para utilizar con la manivela de ajuste (19).

1. Desenganche el botón de selección de profundidad (18) y **asegúrese que la palanca de bloqueo de profundidad (11) esté desbloqueada.**

Nota: Si el microajustador (20) se activa con la palanca de bloqueo de profundidad bloqueada, el microajustador no se activará y la profundidad de corte permanecerá inalterada.

2. Gire el microajustador en sentido horario para aumentar la profundidad de corte y en sentido antihorario para reducirla.

Nota: Cuando se alcance el ajuste de la profundidad requerido, el microajustador ofrecerá mayor resistencia a girar y escuchará un clic.

3. Bloquee la palanca de bloqueo de profundidad, especialmente para trabajos pesados.

Tope de profundidad y torreta

1. El tope de profundidad (3) y la torreta (1) se utilizan para prefijar hasta tres profundidades de corte distintas.
2. Afloje la perilla de bloqueo del tope de profundidad (5), retraiga completamente el tope de profundidad y apriételo de nuevo (imagen F).
3. Ajuste la fresadora a la profundidad requerida utilizando las escalas del indicador de la torreta (imagen G).

Nota: Para cambiar de ajuste de torreta, gire la torreta para alinearla con el tope de profundidad.

4. Introduzca la fresa en la pinza de apriete (24) y ajuste la profundidad de la fresadora hasta que la punta de la fresa esté en contacto con la pieza de trabajo.
5. Gire la torreta hasta que el indicador fijo de la torreta esté alineado con el tope de profundidad. Suelte el tope, dejando que el muelle vuelva a su posición inicial. A continuación, apriete las perillas de bloqueo del tope de profundidad.
6. Gire los topes de la torreta hasta que la profundidad coincida con el tope de profundidad.

Casquillos copiadoreos opcionales

Existen diferentes casquillos guía para fresar con plantillas. También hay juegos de accesorios disponibles a través de su distribuidor Triton.

Realizar un corte

Nota: Nunca utilice la fresadora en modo libre o sin tener instalada una guía de corte. Puede usar como guía una fresa con rodamientos, una guía de corte, o un listón de madera (imagen I).

1. Sujete siempre la fresadora con ambas manos y asegúrese de que la pieza de trabajo esté sujeta firmemente para evitar que se pueda mover durante el corte. Utilice abrazaderas siempre que sea necesario.
2. Deje que el motor alcance la velocidad máxima.
3. Introduzca la fresa en la pieza de trabajo mientras avanza lentamente a través de la línea de corte. Mantenga la base totalmente plana contra la pieza de trabajo.

4. Para fresar bordes, mantenga la pieza de trabajo a la izquierda de la fresadora, en relación a la dirección de corte (Fig. I). Mantenga una presión constante y permita que la fresa trabaje de forma constante a través del material. Tenga en cuenta que los nudos y otras irregularidades ralentizarán la progresión del corte.

Nota: Para evitar vibraciones y daños, dirija el corte en sentido antihorario para cortes exteriores y en sentido horario para cortes interiores.

Nota: Mover la fresadora demasiado rápido puede provocar un corte de mala calidad y sobrecalentar el motor (6) de la herramienta. Mover la fresadora demasiado despacio puede recalentar excesivamente la pieza de trabajo.

Nota: Para utilizar la fresadora deberá de bajarla siempre después de haberla encendido.

Nota: Utilice la fresadora boca arriba solo cuando esté montada sobre una mesa para fresadora (ej. Mesa para fresadora Triton).

Realizar cortes de varias pasadas

1. El tope de torreta (1) le permitirá alcanzar la profundidad máxima de corte en varias pasadas. Cada paso del tope puede prefijarse mediante la ruedecilla situada en el tope de torreta.
2. Gire el tope de torreta (3) de manera que el tope de profundidad entre en contacto con el paso más alto cuando la fresadora esté bajando. Ahora puede realizar el primer corte.
3. Continúe realizando varias pasadas, girando el tope de torreta en sentido antihorario un paso por cada pasada hasta lograr la profundidad completa de corte.

Cortes circulares

1. Monte la placa de guía (28), sin la guía paralela (23) en la fresadora.
 2. Retire el soporte basculante para cortes circulares (27) de la placa de guía y fíjelo en el centro de la superficie de trabajo usando un pequeño clavo o tornillo a través de uno de los agujeros del pivote (imagen M). Deje el perno del pivote en posición correcta.
 3. Baje la fresadora y la placa de guía sobre el pivote, vuelva a colocar la arandela y la tuerca de mariposa (Imagen N).
 4. Con el interruptor en apagado, desplace la fresadora para comprobar el círculo y haga los ajustes necesarios.
 5. Efectúe el corte en múltiples pasadas, bajando la profundidad de corte unos 2 mm en cada etapa (imagen N). No intente realizar este tipo de cortes en una sola pasada.
- **Cortes pasantes:** Para realizar cortes pasantes, coloque un tablero "sacrificial" debajo de la pieza de trabajo. Corte un círculo de mayor dimensión y, cuando el corte esté terminado, reduzca el diámetro hasta el tamaño deseado realizando varias pasadas a la máxima profundidad.

Montaje en una mesa para fresadora

⚠ ADVERTENCIA: El diámetro máximo de la fresa debe ser de 50 mm de diámetro cuando utilice esta fresadora sobre una mesa de fresado TWX7RT001 compatible con el Workcentre Triton.

Nota: Siga las instrucciones indicadas por el fabricante para la utilización y el montaje de esta fresadora en una mesa de fresado.

Nota: Este producto puede ser utilizado de forma eficaz en la mayoría de mesas de fresado aunque está particularmente diseñado para utilizarse con la mesa de fresado Triton TWX7RT001.

Nota: La fresa puede ajustarse de forma fácil. Véase las secciones "Instalación de la fresa y accesorios" y "Ajuste de la profundidad de corte".

IMPORTANTE: Debe retirar el muelle de profundidad antes de montar esta herramienta en la mesa de fresado.

1. Ajuste la fresadora a la profundidad máxima y enganche la palanca de bloqueo de profundidad (11).
2. Afloje los tornillos pequeños situados en la tapa de acceso al muelle (21) (imagen O).
3. Presione hacia abajo la tapa de acceso del muelle con la palma de la mano y sujétela firmemente con la otra mano para evitar que el muelle pueda salir disparado hacia arriba cuando esté suelto. Mientras lo mantiene firmemente presionado, gire la tapa de acceso del muelle en sentido antihorario para retirarla (imagen P).

⚠ ADVERTENCIA: El muelle se tensa con gran fuerza para permitir un ajuste de profundidad suave. La tapa de acceso al muelle y el muelle de se dispararán rápidamente con la misma fuerza una vez que se haya desenroscado. Tenga precaución de no soltar la tapa de acceso del muelle de forma incontrolada, ya que podría causar lesiones personales.

4. Deje que la tapa de acceso del muelle suba lentamente hacia arriba una vez esté liberada (imagen Q).
5. Retire el muelle y guárdelo en un lugar seguro.
6. Vuelva a colocar la tapa de acceso al muelle y apriete los tornillos firmemente.

⚠ ADVERTENCIA: Cuando vuelva a insertar el muelle, compruebe cuidadosamente que la tapa de acceso al muelle está correctamente apretada. Debe estar en paralelo con el cuerpo de la herramienta sin ningún espacio visible, y el tornillo de sujeción debe estar correctamente ubicado para evitar que la tapa de acceso del muelle se desenrosque accidentalmente.

Nota: Asegúrese de volver a colocar el muelle cuando vaya a utilizar la fresadora en modo manual.

IMPORTANTE: Antes de montar la fresadora debajo de la mesa, asegúrese de que la perilla de bloqueo de profundidad (5) esté aflojada y que la palanca de bloqueo de profundidad (11) esté en la posición de desbloqueo.

- La manivela de ajuste de altura (25) debe colocarse en el orificio para la manivela de ajuste de altura (14) para ajustar la fresadora de forma rápida y fácil a través de la parte superior de la mesa de fresado.

Instalación de la llave de bloqueo sin tensión:

La fresadora TRA001 dispone de una función de bloqueo de seguridad (NVR) cuando no existe tensión y evita que el motor se reinicie automáticamente después de un corte de corriente. Para reiniciar la herramienta, el interruptor deberá colocarse en la posición de apagado antes de volver a encender la herramienta. Cuando se utilice con el Workcentre TWX7 (con la mesa de fresado TWX7RT001) o con una mesa de fresado de otras marcas, que disponga de su propia protección NVR, esta función se podrá anular introduciendo la llave de bloqueo NVR (29). De este modo, se podrá controlar el funcionamiento de la herramienta mediante el interruptor de encendido/apagado de la mesa de fresado.

1. Enrosque la llave de bloqueo NVR en la toma para la llave de bloqueo NVR (22) y apriétela suavemente a mano (Imagen T).
2. Fije el soporte en la parte inferior del Workcentre (imagen U).
3. Encienda la fresadora y utilice el interruptor de encendido/apagado de la mesa de fresado para controlar la fresadora.

⚠ ADVERTENCIA: Utilice SOLAMENTE la llave de bloqueo NVR cuando la fresadora esté conectada a una toma de corriente que esté protegida por un sistema de protección sin tensión, como el Workcentre TWX7. Asegúrese SIEMPRE de que el soporte esté conectado a la mesa de fresado para evitar retirar accidentalmente la fresadora sin quitar la llave de bloqueo.

Acceso a los orificios roscados de la placa de guía

1. Para montar esta fresadora sobre una mesa para fresadora de otras marcas, retire los 4 tornillos de la placa de guía (imagen S).
2. Existen 2 tipos de tornillos diferentes (Fig. II). Utilice los 4 tornillos con rosca UNC 1/4" (A) para instalar la placa de guía o para instalar la herramienta sobre una mesa de fresado. También se suministran 3 tornillos con rosca M6 (B).

Nota: Las versiones más antiguas del modelo TRA001 no incluyen los 3 tornillos con rosca M6.

Accesorios

Existen gran variedad de accesorios, fresas y casquillos copiadores para esta herramienta disponibles en su distribuidor Triton. Las piezas de repuesto, incluido casquillos guía pueden obtenerse a través de www.toolsparsonline.com.

Mantenimiento

⚠ ADVERTENCIA: Desconecte SIEMPRE la fresadora de la toma de corriente antes de inspeccionarla, limpiarla o realizar cualquier tarea de mantenimiento.

Inspección general

- Compruebe regularmente que todos los tornillos y elementos de fijación estén bien apretados.
- Inspeccione el cable de alimentación antes de utilizar esta herramienta y asegúrese de que no esté dañado. Las reparaciones deben realizarse por un servicio técnico Triton autorizado. Este consejo también se aplica a los cables de extensión utilizados con esta herramienta.

Limpieza

⚠ ADVERTENCIA: Utilice SIEMPRE guantes y protección ocular cuando limpie esta herramienta.

- Mantenga la herramienta siempre limpia. La suciedad y el polvo pueden dañar y reducir la vida útil su herramienta.
- Utilice un cepillo suave o un paño seco para limpiar la herramienta.
- Nunca utilice agentes cáusticos para limpiar las piezas de plástico. Se recomienda utilizar un paño humedecido con un detergente suave.
- Nunca deje que el agua entre en contacto con la herramienta.
- Asegúrese de que la herramienta esté completamente seca antes de utilizarla.
- Si dispone de un compresor de aire comprimido, sople con aire seco y limpio para limpiar los orificios de ventilación.

Lubricación

- Aplique regularmente spray lubricante en las piezas móviles.

Sustitución de las escobillas

- Con el tiempo, las escobillas de carbono del motor se desgastarán.
- Si las escobillas se han desgastado excesivamente, el rendimiento del motor puede disminuir, la herramienta tal vez no arranque o quizás observe una excesiva presencia de chispas.
- Para sustituir las escobillas, retire las tapas de acceso a las escobillas (9) situada en cada lado de la herramienta. Retire y sustituya las escobillas por unas nuevas (imagen R). Vuelva a colocar las tapas de las escobillas.
- Encienda la fresadora y déjela funcionando durante 2 – 3 minutos para asentar las escobillas. Quizás note la presencia de chispas hasta que las escobillas se asienten completamente.
- Si tiene dudas sobre como sustituir las escobillas, lleve la herramienta a un servicio técnico autorizado.

Contacto

Servicio técnico de reparación – Tel: (+44) 1935 382 222

Web: www.tritontools.com

Dirección (RU):

Toolstream Ltd.
Boundary Way
Lufton Trading Estate
Yeovil, Somerset
BA22 8HZ, Reino Unido.

Dirección (UE):

Toolstream B.V.
Hogeweg 39
5301 LJ Zaltbommel
Países Bajos.

Almacenaje

- Guarde esta herramienta y accesorios en un lugar seco y seguro fuera del alcance de los niños.

Reciclaje

Deshágase siempre de las herramientas eléctricas adecuadamente respetando las normas de reciclaje indicadas en su país.

- No deseché las herramientas y aparatos eléctricos junto con la basura convencional. Recíclelos siempre en puntos de reciclaje.
- Póngase en contacto con la autoridad local encargada de la gestión de residuos para obtener más información sobre cómo reciclar este tipo de herramientas correctamente.

Solución de problemas

Problema	Causa	Solución
La fresadora no funciona al accionar el interruptor de encendido/apagado (8)	Falta de alimentación eléctrica	Compruebe el suministro eléctrico
	Interruptor de encendido/apagado averiado	Sustituya el interruptor de encendido/apagado en un servicio técnico autorizado Triton
Corte de mala calidad	Tope de profundidad (3) ajustado incorrectamente	Asegúrese de que el tope de profundidad coincida con el ajuste de torreta (1)
	Fresa o pinza de apriete (24) aflojada o colocada de forma incorrecta	Vuelva a apretar la fresa y la pinza de apriete
La fresadora no se enciende	Falta de alimentación eléctrica	Compruebe el suministro eléctrico
	Escobillas gastadas o pegadas	Desconecte la alimentación, abra las tapas de las escobillas (9) y compruebe que no estén desgastadas o dañadas
	Interruptor de encendido/apagado averiado	Repare la herramienta en un servicio técnico autorizado Triton
	Piezas del motor averiadas o cortocircuito	
La fresadora funciona y corta lentamente	Fresa dañada o desgastada	Afile o sustituya la fresa por una nueva
	Ajuste de velocidad (10) al mínimo	Incremente el ajuste de velocidad
	El motor está sobrecargado	Disminuya la presión ejercida sobre la fresadora
Vibración excesiva	Fresa colocada de forma incorrecta o floja	Vuelva a colocar/apretar la fresa
	Fresa doblada o dañada	Sustituya la fresa
Se producen muchas chispas alrededor del motor	Las escobillas no se mueven libremente	Desconecte la herramienta, retire las escobillas, límpielas o sustitúyalas
	Motor dañado o desgastado	Repare la herramienta en un servicio técnico autorizado Triton
"Clicks" en el microajustador (20) / no se puede ajustar	Palanca de bloqueo de profundidad (11) enganchada	Suelte la palanca de bloqueo de profundidad
	Se ha alcanzado el límite de ajuste máximo permitido	Coloque el microajustador en su posición original y ajuste la profundidad mediante el tope de profundidad (3)
La fresadora hace un ruido inusual	Obstrucción mecánica	Repare la herramienta en un servicio técnico autorizado Triton
	Piezas en el interior dañadas	

Garantía

Para registrar su garantía, visite nuestra página Web en tritontools.com* e introduzca sus datos personales.

Recordatorio de compra

Fecha de compra: ___/___/___

Modelo: **TRA001**

Conserve su recibo como prueba de compra.

Las herramientas Triton disponen de un período de garantía de 3 años. Para obtener esta garantía, deberá registrar el producto online en un plazo de 30 días contados a partir de la fecha de compra. Si durante ese período apareciera algún defecto en el producto debido a la fabricación o materiales defectuosos, Triton se hará cargo de la reparación o sustitución del producto adquirido.

Está garantía no se aplica al uso comercial por desgaste de uso normal, daños accidentales o por mal uso de esta herramienta.

* Registre el producto online en un plazo de 30 días contados a partir de la fecha de compra.

Se aplican los términos y condiciones.

Esto no afecta a sus derechos legales como consumidor.

Tradução das instruções originais

Introdução

Obrigado por comprar esta ferramenta Triton. Leia estas instruções, pois contêm as informações necessárias para a operação segura e eficiente desta ferramenta. Este produto possui uma série de características exclusivas e, mesmo que você tenha familiaridade com produtos similares, a leitura destas instruções permitirá que tire o máximo proveito de seu design exclusivo. Mantenha este manual sempre à mão, e assegure-se de que todos os usuários da ferramenta leram e compreenderam completamente seu conteúdo. Guarde todos os avisos e instruções para consulta futura.

Descrição dos símbolos

A placa de identificação de sua ferramenta poderá apresentar alguns símbolos. Estes indicam informações importantes sobre o produto, ou instruções sobre seu uso.



Use proteção auricular
Use proteção ocular
Use proteção respiratória
Use proteção de cabeça



Use proteção nas mãos



AVISO – Para reduzir o risco de lesões, o usuário deve ler o manual de instruções



Cuidado!



Aviso: Lâminas ou dentes afiados!



NÃO use sob chuva ou em ambientes úmidos!



Desconecte sempre da tomada elétrica, quando for fazer ajustes, trocar acessórios, limpar, efetuar manutenção ou quando não estiver em uso!



Coleta de pó necessária ou recomendada.



Construção de classe II (isolamento duplo para proteção adicional)



Proteção ambiental

O descarte de produtos elétricos não deve ser feito no lixo doméstico. Faça a reciclagem em locais próprios para isso. Consulte as autoridades locais ou seu revendedor para saber como reciclar.



Cumpra a legislação e os padrões de segurança aplicáveis.

Abreviações técnicas

V	Volts
~	Corrente alternada
A	Ampere, milliampere
Hz	Hertz
W, kW	Watt, Quilowatt
min ⁻¹	Operações por minuto

Especificação

Modelo:	TRA001
Voltagem:	220 – 240 V~ 50/60 Hz
Máx. potência de entrada:	9,1 A
Max. potência:	2400 W
Velocidade sem carga:	8000 a 21000 min ⁻¹
Engaste:	RU/UE: ½" e 12 mm AUS/AS: ½" e ¼"
Diâmetro máximo da ferramenta de corte:	55 mm (50 mm quando usada com a TWX7/RT001)
Tamanho máximo do engaste:	½" (RUS: 12,7 mm)
Ajuste de altura:	1) Imersão livre 2) Bobinador de altura da mesa 3) Microbobinador (ajuste fino)
Curso de imersão:	0 a 68 mm
Proteção de entrada:	IPX0
Classe de isolamento:	□
Comprimento do cabo elétrico:	3 m
Dimensões (C x L x A):	180 x 300 x 310 mm
Peso:	6,5 kg

Como parte do desenvolvimento de nossos produtos, as especificações da Triton podem ser alteradas sem aviso.

Informações sobre ruído e vibração	
Pressão sonora L_{PA} :	84,2 dB (A)
Potência sonora L_{WA} :	95,2 dB (A)
Incerteza K:	3 dB (A)
Vibração ponderada a_n :	5,4 m/s ²
Incerteza K:	1,5 m/s ²
O nível de intensidade sonora para o operador poderá exceder 85 dB (A) e medidas de proteção auditiva são necessárias.	

AVISO: Use sempre proteção auditiva apropriada, quando o ruído da ferramenta ultrapassar 85 dB (A), e limite o tempo de exposição ao mínimo necessário. Caso os níveis de ruído se tornem desconfortáveis, mesmo com proteção auditiva, pare imediatamente de usar a ferramenta e verifique se a proteção auditiva está ajustada de forma correta, de modo prover a atenuação sonora correta, para o nível de ruído produzido pela ferramenta.

AVISO: A exposição do usuário à vibração da ferramenta pode resultar em perda de sentido do tato, dormência, formigamento e diminuição da capacidade de agarrar. A exposição por longo prazo pode levar a uma condição crônica. Caso necessário, limite o período de tempo que fica exposto à vibração e use luvas antivibração. Não use a ferramenta com as mãos expostas a uma temperatura abaixo da temperatura normal confortável, uma vez que a vibração tem mais impacto nessa condição. Use os valores fornecidos na especificação relativa a vibrações, para calcular a duração e frequência de uso da ferramenta.

AVISO: A produção de vibração, durante o uso atual da ferramenta elétrica, pode diferir do valor total declarado, dependendo da forma como a ferramenta é usada. Existe a necessidade de identificar medidas de segurança para proteger o operador, as quais são baseadas em uma estimativa de exposição nas condições reais de uso (levando em consideração todas as partes do ciclo de operação, como os momentos em que a ferramenta é desligada, quando está funcionando sem carga e o tempo de acionamento).

O valor total declarado de vibração foi determinado de acordo com o método de teste padrão, e pode ser usado para se comparar uma ferramenta com outra. O valor total declarado de vibração também pode ser usado em uma avaliação preliminar de exposição.

Os níveis sonoros da especificação são determinados de acordo com padrões internacionais. Os valores consideram o uso normal da ferramenta, sob condições de trabalho normais. Uma ferramenta montada, mantida ou usada incorretamente, poderá produzir níveis de ruído, e de vibração, superiores: O site www.osha.europa.eu fornece mais informações sobre níveis de vibração e ruído em locais de trabalho, e pode ser útil para usuários domésticos que usam ferramentas por longos períodos de tempo.

Avisos de segurança geral da ferramenta

AVISO: Leia todos os avisos, instruções, ilustrações e especificações fornecidas com esta ferramenta.

O descumprimento das instruções abaixo pode resultar em choque elétrico, incêndio e/ou ferimentos graves.

Guarde todos os avisos e instruções para consulta futura.

O termo "ferramenta elétrica", nos avisos, se refere a uma ferramenta que usa alimentação da rede elétrica (com cabo elétrico) ou uma bateria (sem cabo elétrico).

1) Segurança na área de trabalho

- Mantenha a área de trabalho limpa e bem iluminada.**
Áreas desorganizadas ou escuras facilitam os acidentes.
- Não opere ferramentas elétricas em atmosferas explosivas, como na presença de líquidos, gases ou serragens inflamáveis.** Ferramentas elétricas produzem faíscas que podem inflamar a serragem ou os gases.
- Mantenha as crianças e observadores à distância, quando operar ferramentas elétricas.** Distrações podem fazer você perder o controle.

2) Segurança elétrica

- O plugue de tomada da ferramenta deve ser compatível com a tomada de parede. Nunca modifique um conector, de maneira alguma.** Nunca use conectores adaptadores em ferramentas elétricas com fio terra (aterradas). Conectores sem modificações e tomadas corretas reduzem o risco de choques elétricos.
- Evite o contato de seu corpo com superfícies aterradas como tubos, radiadores, extensões e refrigeradores.** Existe um risco maior de choque elétrico se o seu corpo estiver aterrado.
- Não deixe as ferramentas elétricas expostas a chuva ou condições úmidas.** A água que entra em uma ferramenta elétrica, aumenta o risco de choque elétrico.
- Não abuse do cabo elétrico. Nunca use o cabo para carregar, puxar ou desconectar a ferramenta elétrica.** Mantenha o cabo longe de calor, óleo, bordas afiadas ou peças móveis. Cabos danificados ou emaranhados aumentam o risco de choque elétrico.
- Quando operar uma ferramenta elétrica ao ar livre, use um cabo de extensão adequado para uso externo.** A utilização de um cabo adequado para uso externo reduz o risco de choque elétrico.
- Se o uso da ferramenta elétrica em local úmido for inevitável, use uma fonte de alimentação protegida com Dispositivo de Corrente Residual (DR).** O uso de um DR reduz o risco de choque elétrico.
- Quando usada na Austrália ou Nova Zelândia, recomenda-se que esta ferramenta seja SEMPRE alimentada através de um Dispositivo de Corrente Residual (DR), com corrente residual nominal de 30mA ou menos.**
- Use um cabo de extensão elétrico adequado. Certifique-se de que o cabo de extensão está em boas condições.** Quando usar um cabo de extensão, assegure-se de que suporta a corrente consumida pelo produto. Um cabo subestimado provocará uma queda na tensão de alimentação e resultará em perda de potência e superaquecimento.

3) Segurança pessoal

- a) **Mantenha-se alerta, preste atenção no que faz e use de bom senso enquanto opera a ferramenta elétrica.** Não use ferramentas elétricas quando estiver cansado ou sob influência de drogas, álcool ou medicamentos. Um momento de desatenção, quando se opera uma ferramenta elétrica, pode resultar em ferimentos pessoais graves.
- b) **Use equipamentos de proteção individual. Use sempre proteção ocular.** Equipamentos de proteção como máscara respiratória, calçados de proteção antiderrapantes, capacete ou protetores auditivos, usados de acordo com as condições apropriadas, reduzem a ocorrência de ferimentos.
- c) **Evite partidas não intencionais. Certifique-se de que o interruptor esteja na posição desligada, antes de conectar a ferramenta à fonte de alimentação e/ou bateria, quando estiver transportando a ferramenta.** Transportar ferramentas elétricas com seu dedo no interruptor ou energizar ferramentas elétricas com o interruptor na posição ligada, propicia acidentes.
- d) **Remova todas as chaves ou ferramentas de trabalho, antes de ligar a ferramenta elétrica.** Uma chave deixada em uma peça rotativa da ferramenta elétrica poderá resultar em ferimentos.
- e) **Não se estique demais. Mantenha sempre o equilíbrio e os pés em local firme.** Isto permite um melhor controle da ferramenta em situações inesperadas.
- f) **Vista-se apropriadamente. Não use joias, nem roupas largas. Mantenha cabelos e roupas longe das peças móveis.** Roupas largas, joias e cabelos longos podem ficar presos nas peças móveis
- g) **Se for utilizar dispositivos para a aspiração e coleta de pó, assegure-se de que estejam conectados e sejam usados corretamente.** O uso da coleta de pó pode reduzir os riscos associados à exposição ao pó.
- h) **Não deixe que a familiaridade adquirida com o uso da ferramenta o torne complacente e ignore os princípios de segurança da ferramenta.** Uma ação descuidada pode causar ferimentos sérios, em uma fração de segundo.
- 4) **Uso e cuidados com a ferramenta elétrica**
- a) **Não force a ferramenta elétrica. Use a ferramenta correta para sua aplicação.** A ferramenta correta fará o trabalho melhor e com mais segurança, com a produtividade para a qual foi projetada.
- b) **Não use a ferramenta elétrica se o interruptor liga/desliga não estiver funcionando.** Qualquer ferramenta que não puder ser controlada com o interruptor liga/desliga é perigosa e deve ser consertada.
- c) **Desconecte o conector de tomada da rede elétrica e/ou remova a bateria da ferramenta, antes de realizar quaisquer ajustes, trocar acessórios ou de guardá-la.** Estas medidas de segurança preventivas reduzem o risco de se ligar a ferramenta por acidente.
- d) **Guarde a ferramenta elétrica fora do alcance de crianças, quando não estiver em uso, e não permita que pessoas não familiarizadas com a ferramenta, e com estas instruções, a operem.** Ferramentas elétricas são perigosas nas mãos de pessoas não treinadas.

- e) **Preservação da ferramenta elétrica e acessórios. Verifique o alinhamento ou emperramento das peças móveis, se existem peças quebradas ou outra condição que possa afetar a operação da ferramenta.** Se a ferramenta estiver danificada, providencie o conserto, antes de usá-la. Muitos acidentes são causados por ferramentas mal conservadas.
- f) **Mantenha as ferramentas de corte limpas e afiadas.** Ferramentas de corte com bordas afiadas, quando mantidas corretamente, são menos propensas a emperramentos e mais fáceis de controlar
- g) **Use a ferramenta elétrica, seus acessórios e outros elementos de acordo com estas instruções, considerando as condições de trabalho e o serviço a ser executado.** O uso da ferramenta para operações diferentes daquelas para as quais foi projetada pode resultar em uma situação de risco
- h) **Mantenha as empunhaduras secas, limpas e livres de óleo e graxa.** Empunhaduras escorregadias não são seguras para o manuseamento e controle da ferramenta em situações inesperadas.

5) Serviço

- a) **Entregue sua ferramenta para reparos a pessoal técnico qualificado, que use apenas peças de reposição originais.** Isto garantirá que a ferramenta continuará oferecendo segurança.

Segurança adicional para tupias



AVISO:

- **Segure a ferramenta elétrica apenas pelas empunhaduras e superfícies aderentes isoladas, uma vez que o cortador poderá cortar o próprio cabo da ferramenta.** O corte de um cabo eletrificado ("vivo") poderá eletrificar as partes metálicas da ferramenta, provocando um choque no operador.
 - **Use uma morsa ou outra forma prática de apoiar e prender a peça de trabalho a uma plataforma firme.** Segurar a peça de trabalho com a mão ou contra o corpo é um arranjo instável que poderá levar à perda de controle.
 - **Caso seja necessário trocar o cabo de alimentação, isto deverá ser feito pelo fabricante ou seu agente autorizado, de modo a evitar riscos.**
 - **Recomenda-se que a ferramenta seja sempre alimentada por meio de um dispositivo de corrente residual (DR) com especificação nominal de 30 mA ou menos.**
- a) **Use equipamento de segurança, incluindo óculos ou escudo de segurança, proteção auricular, máscara contra pó e roupa de proteção, incluindo luvas.**
- b) **Panos, cabos, cordões, etc nunca devem ser deixados na área de trabalho.**
- c) **Assegure-se de que a voltagem de alimentação da rede elétrica é igual à voltagem indicada na placa de identificação da ferramenta.**
- d) **Certifique-se de que todas as extensões de cabo elétrico, usadas com esta ferramenta, estão em boas condições de segurança, e possuem a capacidade de amperagem exigida pela ferramenta.**

- e) Desenrole completamente extensões de cabo para evitar possíveis superaquecimentos.
- f) Use os detectores apropriados para determinar a existência de possíveis tubulações de gás, água e eletricidade, localizadas abaixo da superfície de trabalho. Consulte as empresas fornecedoras de água, gás ou eletricidade, se for o caso. O contato com tubulações elétricas poderá provocar choques elétricos e incêndios. Danificar uma tubulação de gás poderá levar a uma explosão. Similarmente, o contato com tubulações de água poderá causar grandes danos na instalação.
- g) **Assegure-se de que todos os objetos embutidos da peça de trabalho, como pregos e parafusos, foram removidos antes de começar a operação.**
- h) **Manuseie as brocas da tupa com cuidado, pois podem estar extremamente afiadas.**
- i) **Antes do uso, verifique a broca com cuidado em busca de sinais de dano ou trincas. Substitua fresas danificadas ou trincadas, imediatamente.**
- j) **Assegure-se de manter as brocas/fresas corretamente afiadas.** Arestas de corte cegas poderão provocar situações de descontrole, incluindo o travamento da ferramenta, aumento de calor e eventuais ferimentos.
- k) **Use SEMPRE ambas as mãos e segure a tupa firmemente antes de continuar qualquer trabalho.**
- l) **Mantenha as empunhaduras e superfícies aderentes limpas, secas e livres de óleo e graxa, para garantir que a ferramenta pode ser empunhada com firmeza durante o uso.**
- m) **Antes de usar a ferramenta para fazer um corte, ligue-a e deixe-a funcionar durante um tempo.** Vibração pode indicar que a broca ou fresa está instalada de forma incorreta.
- n) **Observe o sentido de rotação da fresa e a direção de alimentação da peça de trabalho.**
- o) **Mantenha suas mãos longe da área de corte e da ferramenta de corte.** Ponha sua segunda mão na empunhadura auxiliar ou em uma superfície aderente isolada.
- p) **NUNCA ligue a tupa com a ferramenta de corte em contato com a peça de trabalho.**
- q) **Assegure-se sempre de que a mola da tupa está instalada, quando for realizar cortes segurando a tupa com as mãos.**
- r) **Assegure-se de que a ferramenta de corte parou completamente antes de colocá-la na posição travada do engaste.**
- s) **A velocidade máxima da broca/ferramenta de corte deve ser pelo menos tão elevada quanto a velocidade máxima da ferramenta elétrica.**
- t) **As brocas da tupa poderão ficar quentes durante a operação.** Não as manuseie imediatamente após o uso para evitar risco de queimaduras.
- u) **Não permita que as peças entrem em contato com os materiais consumíveis.**
- v) **O tamanho da haste da broca/ferr. de corte da tupa deve corresponder exatamente ao tamanho do engaste da tupa.** Ferramentas de corte/brocas instaladas incorretamente na tupa irão girar de forma irregular e produzir mais vibração, o que poderá provocar uma perda de controle.
- w) **NÃO o botão de trava do mandril, nem tente colocar a ferramenta em modo de troca de broca, enquanto a ferramenta estiver ligada.**
- x) **mantenha a pressão constante enquanto estiver cortando a peça de trabalho, deixando que a broca dite a velocidade de corte.** NÃO force a ferramenta, o que sobrecarregaria o motor.
- y) **Certifique-se de que as etiquetas com as especificações da tupa podem ser lidas com facilidade e troque-as caso não possam mais ser lidas com clareza ou se danifiquem.**
- z) **Quando operar a tupa, esteja preparado para o travamento da ferramenta de corte na peça de trabalho, que pode provocar uma perda de controle.** Assegure-se sempre de que está segurando a tupa firmemente e de que solta o botão liga/desliga imediatamente, caso essa condição seja perdida.
- **Após ligar a tupa, verifique se a broca da tupa está girando uniformemente (sem 'oscilar') e se não existe vibração adicional devido a instalação incorreta da broca.** O uso da tupa com uma broca instalada incorretamente poderá provocar perda de controle e ferimentos graves.
 - **Deve ser tomado cuidado EXTREMO quando se usam ferramentas de corte com diâmetro maior do que 50 mm.** Use taxas de alimentação muito lentas e/ou múltiplos cortes rasos, para evitar sobrecarga do motor.
 - **SEMPRE desligue e aguarda a ferramenta de corte parar completamente de girar, antes de retirá-la da peça de trabalho.**
 - **Desconecte a ferramenta da alimentação elétrica, antes de realizar qualquer ajuste, manutenção ou limpeza.**
 - **Mesmo quando a ferramenta é usada conforme prescrito, não é possível eliminar todos os fatores de risco residuais.** Se você não tiver certeza da maneira correta e segura de usar esta ferramenta, não tente usá-la.
- ⚠ AVISO: Os pós produzidos pelo uso de ferramentas elétricas podem ser tóxicos.** Alguns materiais podem ter tratamento ou revestimento químico e criar um risco tóxico. Alguns materiais naturais ou compostos podem conter substâncias tóxicas. Algumas pinturas velhas poderão conter chumbo ou outras substâncias químicas. Evite a exposição prolongada ao pó produzido pela operação da tupa. NÃO permita que o pó atinja sua pele ou olhos, e não deixe que entre em sua boca, de modo a evitar a absorção de substâncias químicas nocivas. Onde possível, trabalhe em uma área bem ventilada. Use uma máscara contra poeira e um sistema de coleta de pó, sempre que possível. Onde houver uma frequência de exposição maior, é mais importante que todas as precauções de segurança sejam seguidas e que seja usado um maior nível de proteção individual.

Familiarização com o produto

1. Batentes da torre
2. Mandril
3. Batente de profundidade
4. Respiros laterais
5. Trava do batente de profundidade
6. Motor
7. Tampa retrátil do interruptor de energia
8. Interruptor liga/desliga
9. Tampas de acesso às escovas do motor
10. Controlador de velocidade
11. Alavanca da trava de imersão

12. Protetores de segurança
13. Parafusos de fixação da base
14. Ponto de conexão do bobinador de altura da mesa
15. Bocal de extração de pó
16. Trava automática do fuso
17. Anel de engaste da manivela do bobinador
18. Botão de seleção de imersão
19. Manivela do bobinador
20. Microbobinador
21. Tampa de acesso à mola de imersão
22. Conexão da chave de bypass NVR
23. Guia paralela
24. Engaste
25. Bobinador de altura da mesa
26. Chave de boca
27. Suporte pivô de corte circular
28. Base estendida
29. Chave de bypass

Fig. II

- A. ¼ UNC x 4
- B. M6 x 3
- C. Recuo da bobina da mesa

Uso Pretendido

Tupia de precisão manual usada para corte de perfis, fendas, bordas e furos alongados em madeiras naturais e compostas. Também usado com buchas-guia e modelos para cortar formas e seguir padrões. Adequado para instalação estacionária na Mesa de tupia de precisão Triton, para o Workcentre Triton, e em outros sistemas de bancada adequados.

Nota: produto para uso não comercial.

A ferramenta só deve ser usada para a finalidade prescrita. Qualquer tipo de uso não mencionado neste manual será considerado um caso de mau uso. O usuário, e não o fabricante, é responsável por todos os danos e ferimentos decorrentes dos casos de mau uso. O fabricante não se responsabilizará por modificações feitas na ferramenta, nem por quaisquer danos que resultem de tais modificações.

Desembalagem da sua ferramenta

- Desembale e inspecione cuidadosamente a sua ferramenta. Familiarize-se com todos os seus recursos e funções.
- Assegure-se de que todas as partes da ferramenta estão presentes e em boas condições.

Antes do uso

⚠️ AVISO: Assegure-se de que a ferramenta está desconectada da fonte de alimentação, antes de instalar ou trocar acessórios, ou fazer quaisquer ajustes.

⚠️ AVISO: Periodicamente, durante uso prolongado ou quando a tupia houver sido transportada ou derrubada, verifique se a Tampa de acesso à mola de imersão (21) está corretamente posicionada e fixa no lugar. Ela deve ficar paralela ao corpo da ferramenta, sem folga visível, e o parafuso de fixação deve estar localizado corretamente para evitar que a tampa de acesso da mola de imersão desenrosque acidentalmente, consulte a Imagem O. A mola de imersão fica comprimida com força suficiente para causar ferimentos graves se arremessada de forma descontrolada. Siga sempre as instruções, cuidadosamente, ao remover e substituir a mola de imersão.

Instalação do engaste e ferramenta de corte

Nota: Use luvas de proteção quando instalar e remover ferramentas de corte devido às bordas afiadas.

1. Coloque a mesa de cabeça para baixo sobre uma superfície firme e plana, com o motor (6) totalmente parado e o cabo de energia desconectado da tomada de energia.
 2. Posicione a tupia em sua profundidade máxima, pressionando o Anel de engaste da manivela de ajuste (17) (Imagem B) para dentro e girando a Manivela de ajuste (19) no sentido horário até que o Engaste (24) esteja saindo de baixo da base.
- Nota:** Assegure-se de que o batente de profundidade (3) esteja completamente retraído (ver 'Batente e torre de profundidade'). O engaste deve sobressair na base, permitindo acesso fácil com uma chave de boca.
3. Usando a chave (26) fornecida, solte o engaste, girando-o no sentido anti-horário até que esteja solta o suficiente para ser removida.
 4. selecione o engaste desejado e instale-o no mandril (2), aparafusando o engaste no sentido horário.
 5. Insira a ferramenta de corte no engaste, garantindo que pelo menos 20 mm, ou metade do eixo (o que for maior), estão inseridos no engaste, e então use a chave para girar o engaste ligeiramente, permitindo que o engaste engaste (Imagem C). Uma vez engatado, gire a chave no sentido horário para apertar a ferramenta de corte.
 6. Retorne a tupia para a profundidade normal de operação. Isto desengatará a trava do engaste e liberará o obturador retrátil, permitindo o acesso ao interruptor de energia Liga/Desliga (8).

Bocal de extração de pó

Nota: A tupia Triton é equipada com um bocal de coleta de pó (15) para extração das serragens por cima do corte. O bocal de coleta de pó aceita a mangueira de 38 mm de diâmetro externo, fornecida com o Coletor de pó Triton (DCA300).

- A mangueira de extração de pó se aparafusa na posição por meio da rosca invertida (aperta no sentido anti-horário) (Imagem D).

Acessório de coleta de serragem opcional

- O seu revendedor Triton tem à disposição uma calha de coleta de pó opcional que permite a coleta eficaz da serragem em toda a extensão da zona de corte. Ela pode ser conectada a qualquer mangueira de diâmetro externo de 38 mm (Imagem E).

Instalação da base expandida e da guia

1. Localize os parafusos de fixação da base (13) e solte-os completamente. Isto permitirá que os parafusos de fixação engatem nos furos de fixação da tupia na base expandida (28).
2. Vire ambas, a tupia de imersão e a base expandida, de cabeça para baixo.

- Empurre os parafusos de fixação da base para dentro da tupa de imersão, de forma a expor as pontas dos parafusos de fixação.
- Alinhe os parafusos de fixação com os furos de fixação da tupa na base estendida, e deslize-os para dentro das fendas (Imagem K).

Nota: A orientação da base estendida depende de onde se requer o suporte. Para o trabalho de borda, localize o interruptor Liga/Desliga (8) no lado curto e suspenso da base.

- Aperte os parafusos de fixação da base da tupa de imersão, com firmeza, para prender a tupa à base expandida.
- Para instalar a Guia (23), solte seus parafusos e deslize a Guia ao longo dos trilhos da base estendida (Imagem L). Trave na configuração requerida, apertando ambos os parafusos da guia.

Nota: Quando a tupa se enrinchar a uma distância da borda, instale a guia na extremidade comprida da base estendida.

Nota: Quando estiver efetuando serviços em bordas com uma ferramenta de corte que não possui guias com rolamentos, encaixe a Guia na extremidade curta da base (Imagem J).

Nota: Se usar uma ferramenta de corte de diâmetro grande, poderá ser necessário prender blocos de madeira nas faces da guia, através dos furos dos parafusos, para garantir que a ferramenta não entre em contato com a Guia.

Operação

⚠ AVISO: Use SEMPRE proteção ocular, auricular e respiratória, bem como luvas apropriadas, quando trabalhar com esta ferramenta.

Acionamento e desligamento

Nota: Quando a tupa está conectada à fonte de energia elétrica, o interruptor Liga/Desliga (8) se acenderá em ambas as posições 'Liga' e 'Desliga'.

Nota: A tampa retrátil do interruptor de energia (7) impede que a tupa seja ligada acidentalmente. Ela deve ser retraída para que a tupa possa ser ligada. A tampa retrátil do interruptor de energia permanecerá aberta até que a tupa seja desligada.

- Assegure-se que a tupa não tocará em nenhum objeto quando estiver ligada e no alcance máximo de seu espaço de movimentação possível.
- Conecte o cabo de energia na tomada da rede elétrica e deslize a Tampa retrátil do interruptor de energia para trás, para descobrir o interruptor Liga/Desliga.
- Pressione o interruptor Liga/Desliga na posição 'I' para ligar a tupa. Enquanto o interruptor Liga/Desliga estiver nessa posição, a tampa retrátil do interruptor de energia ficará impedida de cobrir o interruptor Liga/Desliga.
- Para desligar, pressione o interruptor Liga/Desliga na posição 'O'. A tampa retrátil deslizará automaticamente para sua posição original.

Controle de velocidade variável

Nota: As configurações de velocidade da tupa não são críticas. Geralmente, deve ser usada a maior velocidade que não provoque marcas de queimadura na peça de trabalho. Siga sempre os limites de velocidade especificados pelo fabricante, quando apresentados.

- A operação em velocidades mais baixas aumenta o risco de danos à tupa devido a sobrecarga. Use taxas de alimentação da peça de trabalho muito lentas e/ou faça múltiplos cortes rasos.

- O controlador de velocidade (10) tem marcas de 1 a 5, que correspondem aproximadamente às velocidades e diâmetros de cortes mostrados abaixo. Gire o botão para selecionar a velocidade requerida.

Configuração	Velocidade (min ⁻¹)	Diâmetro da ferramenta de corte
5	21000	Até 25 mm
4	18000	25 - 50 mm
3	14500	50 - 65 mm
2	11000	Mais de 65 mm
1	8000	Usar apenas se estiver queimando

Ajuste de profundidade de corte

IMPORTANTE:

VOCÊ DANIFICARÁ O MECANISMO DA TUPIA, CASO NÃO SIGA ESTAS INSTRUÇÕES.

Assegure SEMPRE que a Alavanca da trava de imersão (11) está destravada, ajustando-a na posição mais alta, antes de ajustar a profundidade de corte, usando os métodos de 'Imersão livre' ou 'Ajuste de bobinador', descritos abaixo.



Nota: Para travar a tupa em uma determinada profundidade de corte, empurre a cabeça da tupa para baixo e gire a alavanca de trava de imersão (11) para sua posição mais baixa. Isto manterá a cabeça da tupa em sua posição.

- Existem três métodos de ajuste da profundidade de corte, dependendo da precisão e controle requeridos:

Imersão livre

- Ajustes livres de profundidade podem ser efetuados com o Botão de seleção de imersão (18) engatado. Pressione o botão de seleção de imersão para dentro da manopla até que ele engate lá dentro (Imagem A).
- Solte a Alavanca de trava de imersão (11) e empurre o corpo da tupa até que a profundidade desejada seja atingida. Trave novamente a Alavanca de trava de imersão

Ajuste da manivela do bobinador

- Os ajustes de profundidade de imersão podem ser feitos girando-se a Manivela do bobinador (19)
- Desengate o botão de seleção de imersão (18), e assegure que o botão não interfere com a manivela do bobinador.

3. Para soltar a manivela, puxe o Anel de engate da manivela do bobinador (17) para dentro (Imagem B).
4. **Solte a Alavanca da trava de imersão (11)** e gire a Manivela do bobinador até atingir a profundidade de corte desejada. Solte o Anel de engate da manivela do bobinador e trave a Alavanca da trava de imersão.

Microbobinador

Nota: Para uso apenas com o modo de imersão da Manivela do bobinador (19).

1. Desengate o botão de seleção de imersão (18) e **garanta que a alavanca de trava de imersão (11) está destravada.**

Nota: Se o microbobinador (20) for girado com a alavanca da trava de imersão engatada, o microbobinador emitirá o som de cliques e a profundidade de corte permanecerá inalterada.

2. Gire o microbobinador no sentido horário para aumentar a profundidade de corte e no sentido anti-horário para reduzir a profundidade de corte. Ajuste a profundidade de corte até ser alcançada a altura desejada

Nota: Quando for atingida o final da escala de ajuste de profundidade, o microbobinador oferecerá maior resistência e começará a emitir o som de cliques.

3. Engate a alavanca de trava de imersão, particularmente nos cortes pesados.

Batente de profundidade e da torre

1. O batente de profundidade (3) e os batentes da torre (1) são usados para pré-configurar três profundidades de corte diferentes.
2. Solte a Trava do batente de profundidade (5), retraia totalmente o Batente de profundidade e reaperte (Imagem F).
3. Ajuste os postes de torre nas profundidades de imersão requeridas, usando as escalas do poste fixo da torre (Imagem G).

Nota: Para alterar os postes da torre, gire todo o conjunto da torre para que fique alinhado com o Batente de profundidade.

4. Com a ferramenta de corte desejada instalada no engaste (24), ajuste a profundidade de imersão até que a ponta da ferramenta de corte toque na peça de trabalho.
5. Gire a torre até que o poste fixo da torre esteja alinhado com o Batente de profundidade. Solte o batente, permitindo que ele cubra o poste e, então, reaperte a Trava do batente de profundidade. A profundidade de imersão está, agora, em zero.
6. Gire os batentes da torre até o poste da torre com a profundidade de imersão desejada esteja alinhada com o Batente de profundidade.

Buchas guia modelo opcionais

Existem diversas buchas guia modelo à disposição para uso com a tupia. O seu revendedor local Triton também possui kits de acessórios à venda.

Realização de cortes

Nota: NUNCA use a tupia à mão livre sem algum tipo de guia. Podem ser usadas como guias, a broca de tupia guiada por rolamentos, as guias fornecidas ou uma borda reta (Imagem I).

1. Segure SEMPRE a tupia com ambas as mãos, pelas empunhaduras existentes. Garanta que a peça de trabalho não se move. Use abraçadeiras sempre que possível.
2. Deixe que o motor atinja sua velocidade de operação normal.

3. Abaixar a broca da tupia na peça de trabalho enquanto desloca a tupia lentamente, mantendo a base firme contra a peça de trabalho.
4. Caso esteja cortando uma borda, a peça de trabalho deve ficar no lado esquerdo em relação ao sentido de corte, (Fig. I). Mantenha a pressão constante e deixe a ferramenta trabalhar uniformemente no material. Esteja ciente de que nós e outras variações na madeira diminuirão a taxa de progresso.

Nota: Para evitar trepidação da broca, oriente o corte no sentido anti-horário, no caso de cortes externos, e no sentido horário, no caso de corte internos.

Nota: A movimentação rápida demais da tupia poderá resultar em baixa qualidade do acabamento e sobrecarga do motor (6). Mover a tupia muito lentamente poderá resultar no superaquecimento da peça de trabalho.

Nota: Na operação normal de uma tupia, a cabeça de corte deve imergir quando a tupia é ligada.

Nota: Não use a tupia de cabeça para baixo, a menos que seja fixada firmemente em uma mesa de tupia com as devidas proteções (por ex. mesa da marca Triton).

Realização de cortes de múltiplos passes

1. O Batente da torre (1) permite que a máxima profundidade de corte seja atingida, em um número de passes de corte determinado pelo operador. Cada passo de corte da torre pode ser pré-ajustado através do ajuste do seletor rotativo no poste da torre.
2. Gire o Batente da torre de modo que o Batente de profundidade (3) entre em contato com o poste da torre que possui o ajuste mais elevado, quando a tupia é imersa. O primeiro passe de corte poderá, então, ser efetuado.
3. Continue realizando passes, girando o batente da torre e ajustando a profundidade do poste da torre a cada passo, se necessário, até que a profundidade total de corte seja atingida.

Corte em círculos

1. Encaixe a base expandida (28) na tupia, sem o acessório da guia (23).
 2. Remova o Suporte pivô de corte circular (27) da base estendida e prenda-o no centro da peça de trabalho, usando um parafuso ou prego pequeno, através de um dos furos do suporte pivô, (figura M). Deixe o parafuso do suporte pivô na posição
 3. Abaixar a tupia e a base sobre o suporte pivô e reinstale a arruela e porca borboleta, (Imagem N).
 4. Com a energia desligada, gire a tupia ao longo do trajeto desejado para verificar o círculo, e faça os ajustes necessários.
 5. Corte o círculo em vários passes, abaixando a profundidade de corte em aproximadamente 2 mm a cada passe, (Imagem N). Não tente cortar mais profundamente do que isso em um único passe.
- **Cortes diretos:** Caso pretenda fazer um corte direto, prenda uma tábua de material descartável na parte inferior da peça de trabalho. Faça o primeiro corte circular até ao final com diâmetro bem grande e, depois, reduza o diâmetro e vá trabalhando até atingir o tamanho requerido, usando passes leves de profundidade total.

Operação em mesa

⚠️ AVISO: Quando usada com o Módulo de mesa de tupa do Centro de trabalho Triton, TWX7RT001, o diâmetro máximo da ferramenta de corte é de 50 mm. Isto é definido pela especificação do Centro de trabalho.

Nota: A instalação e utilização desta tupa em uma mesa de tupa devem ser realizadas de acordo com a documentação fornecida com a mesa de tupa.

Nota: Embora este produto tenha sido desenhado para operar de forma eficiente e conveniente com a maioria das mesas de tupa, ele é particularmente adequado às Mesas de tupa TWX7RT001 da Triton.

Nota: Os ajustes de tupa são extremamente fáceis devido às características exclusivas descritas anteriormente neste manual. Consultar 'Instalação e troca de ferramentas de corte' e 'Ajuste da profundidade de corte'.

IMPORTANTE: A mola de imersão DEVE ser removida antes que esta tupa seja instalada em uma mesa:

1. Ajuste a tupa no topo de sua faixa de imersão e engate a Alavanca de trava de imersão (11).
2. Solte algumas voltas do pequeno parafuso que fica próximo à Tampa de acesso à mola de imersão (21), Imagem O.
3. Usando a palma da sua mão, aplique pressão para baixo na Tampa de acesso à mola de imersão e segure-a firmemente com sua outra mão, para evitar que a mola de imersão a arremesse para cima quando liberada. Enquanto mantém a pressão para baixo e um aperto firme, gire a Tampa de acesso da mola de imersão, no sentido anti-horário, para removê-la (Imagem P)

⚠️ AVISO: A mola de imersão é comprimida com grande força para permitir uma ação de mergulho suave. A tampa de acesso da mola de imersão e a mola de imersão serão arremessadas, rapidamente, com a mesma força depois de serem desparafusadas. Tenha cuidado para não liberar a tampa de acesso da mola de imersão de forma não controlada, o que poderia causar ferimentos pessoais.

4. Permita que a Tampa de acesso à mola de imersão se eleve, lentamente, uma vez que seja solta (Imagem Q)
5. Remova a mola e guarde-a em um lugar seguro.
6. Reinstale a Tampa de acesso à mola de imersão e reaperte o parafuso.

⚠️ AVISO: Ao reinserir a mola de imersão, verifique cuidadosamente se a tampa de acesso à mola de imersão está apertada corretamente. Ela deve ficar paralela ao corpo da ferramenta, sem folga visível, e o parafuso de fixação deve estar posicionado corretamente para evitar que a tampa de acesso à mola de imersão se desparafuse acidentalmente.

NOTA: Certifique-se de reinstalar a mola de imersão antes de usar a tupa em trabalhos à mão livre.

IMPORTANTE: Antes de montar a tupa sob a mesa da tupa, certifique-se de que o trava do batente de profundidade (5) está solto e a alavanca da trava de imersão (11) está na posição destravada.

- O ajuste de altura da mesa (25) engata com o Ponto de conexão do ajuste de altura da mesa (14) para permitir um ajuste de altura fácil acima da mesa, quando a tupa é instalada em uma mesa.

Instalação da chave de bypass de liberação sem voltagem:

A tupa TRA001 possui uma função de Liberação sem voltagem (NVR), que evita que o motor reinicie automaticamente após uma interrupção de energia. Para reiniciar a ferramenta, o interruptor deve ser retornado para a posição OFF, antes de se ligar a ferramenta, novamente. Quando usada com o Workcentre TWX7 (com a Mesa de tupa TWX7RT001) ou com uma Mesa de tupa de terceiros, que tem sua própria proteção NVR, esta função pode ser ignorada inserindo-se a chave de bypass NVR (29). Permitindo, assim, que a operação ON / OFF da ferramenta seja controlada pelo interruptor ON/OFF da mesa de tupa.

1. Aparafuse a Chave de bypass NVR dentro da conexão da chave de bypass NVR (22) e aperte suavemente com a mão (imagem T)
2. Fixe o suporte na parte inferior do Workcentre (Imagem U)
3. Ligue a tupa (Posição ON) e, depois, use o interruptor ON/OFF da Mesa de tupa para controlar a tupa

⚠️ AVISO: SÓ use a Chave de bypass NVR quando a tupa estiver conectada a uma fonte de alimentação que seja protegida por um sistema de proteção de liberação sem voltagem, como no Triton Workcentre TWX7. Certifique-se SEMPRE de que o suporte esteja conectado à mesa de tupa, para evitar a remoção acidental da tupa sem remover a chave de bypass.

Acesso às roscas dos parafusos da base

1. Para instalar a tupa em uma mesa de tupa de terceiros, ou em uma mesa particular construída por você, remova os 4 parafusos da base, indicados na Imagem S, e remova a base.
2. Existem 2 conjuntos de roscas de parafuso, como mostrado na Fig. II. Existem as roscas de 4-¼ UNC (A), usadas para prender a base, e também adequadas para instalação em mesa e um conjunto alternativo de 3 x M6 roscas (B).

Nota: As roscas M6 não era fornecidas nas versões anteriores da tupa TRA001.

Acessórios

Seu revendedor Triton possui uma ampla linha de acessórios adequados a esta ferramenta, incluindo uma grande seleção de ferramentas de corte/fresas de tupa. Peças de reposição, incluindo buchas, buchas guia e engastes também podem ser encontradas à venda em seu revendedor Triton ou no site www.toolsparesonline.com.


Manutenção

⚠️ AVISO: SEMPRE desconecte a ferramenta da alimentação elétrica, antes de realizar qualquer manutenção/limpeza.

Inspecção geral

- Verifique regularmente se todos os parafusos de fixação estão apertados.
- Inspeccione o cabo de energia da ferramenta, antes de cada utilização, em busca de desgaste ou danos. Reparos devem ser realizados por um Centro de Serviços Autorizado da Triton. Isto também se aplica aos cabos de alimentação elétrica da ferramenta.

Limpeza

 **AVISO:** Use SEMPRE equipamento de proteção, incluindo proteção ocular e luvas, quando limpar esta ferramenta.

- Mantenha sua ferramenta limpa o tempo todo. A sujeira e o pó produzem desgaste acelerado das peças internas e encurtam a vida útil da ferramenta.
- Limpe o corpo de sua ferramenta com uma escova macia e pano seco.
- Nunca use agentes cáusticos para limpar peças plásticas. Caso não seja suficiente uma limpeza seca, recomenda-se o uso de um pano úmido com detergente suave.
- Água não deve nunca entrar em contato com a ferramenta.
- Assegure-se de que a ferramenta está completamente seca, antes de usá-la.
- Se houver ar comprimido disponível, use-o para soprar a sujeira nos orifícios de ventilação (onde aplicável).

Lubrificação

- Lubrifique ligeiramente todas as peças móveis a intervalos regulares, usando um lubrificante aerossol adequado.

Escovas

- Com o tempo, as escovas de carbono do motor poderão ficar gastas.
- Escovas excessivamente gastas, podem causar perda de potência, falhas intermitentes, ou centelhamento visível.
- Para trocar as escovas, remova as duas Tampas de acesso às escovas (9). Remova cuidadosamente as escovas gastas (Imagem R) e garanta que os soquetes estão limpos. Substitua as escovas com cuidado e, depois, troque as tampas de acesso.
- Após a substituição, funcione a tupa sem carga durante 2 a 3 minutos para ajudar a assentar as escovas. O processo completo de assentamento poderá requerer várias utilizações. O centelhamento no motor poderá continuar até que as novas escovas de carbono tenham assentado.
- Alternativamente, leve a máquina a um Centro de Serviço Autorizado da Triton.

Contato

Para obter orientações técnicas ou sobre reparos, ligue para o número da Assistência ao Cliente: (+44) 1935 382 222

Web: www.tritontools.com

Endereço (RU):

Toolstream Ltd.
Boundary Way
Lufton Trading Estate
Yeovil, Somerset
BA22 8HZ, Reino Unido

Endereço (UE):

Toolstream B.V.
Hogeweg 39
5301 LJ Zaltbommel
Países Baixos

Armazenamento

- Guarde esta ferramenta com cuidado, em um lugar seguro e seco, fora do alcance de crianças.

Descarte

Cumpra sempre as leis nacionais ao descartar ferramentas elétricas que não funcionam mais e cujo reparo não é mais viável.

- Não descarte ferramentas elétricas, ou outros equipamentos elétricos e eletrônicos (WEEE) no lixo doméstico.
- Contate a autoridade local de eliminação de resíduos para saber o modo correto de descartar ferramentas elétricas. Limpeza

Resolução de problemas

Problema	Possível causa	Solução
A ferramenta não funciona quando se aciona o interruptor liga/desliga (8)	Não há energia	Verifique a fonte de alimentação elétrica
	Interruptor liga/desliga danificado	Troque o interruptor liga/desliga em um Centro de Serviços Autorizado da Triton
Perfil de corte sem precisão	O Batente de profundidade (3) não está ajustado corretamente	Assegure-se de que o Batente de profundidade corresponde à máxima quantidade de corte permitida pelos Batentes da torre (1)
	Ferramenta de corte/Engaste (24) instalados incorretamente ou soltos	Aperte o conjunto ferramenta de corte/engaste
A tupa não funciona	A energia elétrica não está chegando à tupa	Verifique se existe energia elétrica na fonte
	Escovas gastas ou aderentes	Desconecte a energia, abra as tampas de acesso às escovas (12) e assegure-se de que as escovas não estão excessivamente gastas ou danificadas
	O interruptor está defeituoso	Leve a máquina a um Centro de Serviços Autorizado da Triton
	Componentes do motor defeituosos ou em curto-circuito	
A tupa se desloca ou corta lentamente	Ferramenta de corte cega ou danificada	Amole ou troque a ferramenta de corte
	Controlador de velocidade (10) na velocidade baixa	Aumente o ajuste de velocidade variável
	Motor sobrecarregado	Diminua a força que exerce sobre a tupa
Vibração excessiva	Ferramenta de corte solta ou instalada incorretamente	Reinstale ou aperte a ferramenta de corte
	Ferramenta de corte curvada ou danificada	Substitua a ferramenta de corte
Centelhamento intenso dentro do alojamento do motor	As escovas não estão se movendo livremente	Desconecte a energia elétrica, remova as escovas, e limpe ou troque-as
	Motor danificado ou desgastado	Leve a máquina a um Centro de Serviços Autorizado da Triton
O microbobinador (20) produz som de "cliques" ou não se ajusta	A alavanca de trava de imersão (11) está engatada	Solte a Alavanca da trava de imersão
	Atingido o fim da faixa de ajuste	Reinicie o microbobinador e ajuste a profundidade com Batente de profundidade (3)
Faz um som incomum	Obstrução mecânica	Leve a máquina a um Centro de Serviços Autorizado da Triton
	Danos nos enrolamentos internos	

Garantia

Para registrar sua garantia, visite nosso site em tritontools.com* e cadastre suas informações.

Registro de compra

Data de compra: ___/___/___

Modelo: **TRA001**

Retenha sua nota fiscal como comprovante de compra.

A Triton Precision Power Tools garante ao comprador deste produto que se qualquer peça estiver comprovadamente defeituosa devido a falhas de material ou mão de obra durante os próximos 3 anos a partir da data da compra original, Triton irá reparar ou, a seu critério, substituir a peça defeituosa sem custo. Esta garantia não se aplica ao uso comercial nem se estende ao desgaste normal ou a danos decorrentes de acidente, abuso ou uso indevido.

* Registre-se online dentro de 30 dias após a compra.

Termos e condições aplicáveis.

Isto não afeta seus direitos legais.

Tłumaczenie oryginalnej instrukcji

Wprowadzenie

Dziękujemy za zakup narzędzia marki Triton. Zapoznaj się z niniejszymi instrukcjami: zawierają one informacje niezbędne dla bezpiecznej i wydajnej obsługi produktu. Produkt posiada szereg unikalnych funkcji, dlatego też, nawet, jeśli jesteś zaznajomiony z podobnymi produktami, przeczytanie tego podręcznika jest niezbędne w celu pełnego zrozumienia instrukcji obsługi. Upewnij się, że wszyscy użytkownicy narzędzia przeczytali i w pełni zrozumieli instrukcje obsługi. Przechowaj tę instrukcję wraz z produktem do wykorzystania w przyszłości.

Opis symboli

Tabela znamionowa zawiera symbole dotyczące narzędzia. Stanowią one istotne informacje o produkcie lub instrukcje dotyczące jego stosowania.



Należy nosić środki ochrony słuchu
Należy nosić okulary ochronne
Należy nosić środki ochrony dróg oddechowych
Należy używać kasku ochronnego



Należy nosić rękawice ochronne



OSTRZEŻENIE - Aby zmniejszyć ryzyko obrażeń, użytkownik musi przeczytać i w pełni zrozumieć instrukcję obsługi



Uwaga!



Ostrzeżenie: Ostre zęby/ostrze



NIE UŻYWAĆ na deszczu ani w wilgotnym otoczeniu!



Należy zawsze odłączać urządzenie od zasilania elektrycznego, podczas regulacji, wymiany akcesoriów, czyszczenia, konserwacji oraz gdy nie jest w użytku!



Wymagany lub zalecany system ekstrakcji pyłu



Konstrukcja klasy II (podwójnie izolowana w celu dodatkowej ochrony)



Ochrona środowiska

Nie należy wyrzucać zużytych produktów elektrycznych wraz z odpadami komunalnymi. Jeśli jest to możliwe, należy przekazać produkt do punktu recyklingu. W celu uzyskania wskazówek dotyczących recyklingu należy skontaktować się z władzami lokalnymi lub sprzedawcą.



Urządzenie zgodne z odpowiednimi przepisami i normami bezpieczeństwa.

Kluczowe skróty techniczne

V	Wolt
~	Prąd przemienny
A	Amper
Hz	Herc
W, kW	Wat, kilowat
min ⁻¹	(obrotów lub ruch postępowo zwrotny) na minutę

Dane techniczne

Nr modelu:	TRA001
Napięcie:	220 - 240 V~ 50/60 Hz
Maks. prąd wejściowy:	9,1 A
Maksymalna moc wyjściowa:	2400 W
Prędkość bez obciążenia:	8000 - 21 000 min ⁻¹
Tuleje zaciskowe:	GBR/UE: 1/2" i 12 mm AUS/ZAF: 1/2" i 1/4"
Maksymalna średnica frezu:	55 mm (50 mm przy użyciu z TWX7RT001)
Maksymalny rozmiar tulei zaciskowej:	1/2" (RUS: 12,7 mm)
Regulacja wysokości:	1) Trzpień wgłębny swobodny 2) Pokrętko regulacji wysokości stołu 3) Mikropokrętko (drobna regulacja)
Zasięg obróbki wgłębnej:	0-68 mm
Stopień ochrony:	IPX0
Klasa ochrony:	□
Długość przewodu zasilania:	3 m
Wymiary (dł. szer. x wys.):	180 x 300 x 310 mm
Waga:	6,5 kg
W wyniku nieprzerwanego procesu rozwojowego produktów specyfikacje produktów Triton mogą ulec zmianie bez uprzedniego powiadomienia.	

Parametry emisji dźwięku i wibracji	
Poziom ciśnienia akustycznego L_{pA} :	84,2 dB(A)
Poziom mocy akustycznej L_{WA} :	95,2 dB(A)
Niepewność pomiaru K:	3 dB(A)
Wartość emisji wibracji a_h :	5,4 m/s ²
Niepewność pomiaru K:	1,5 m/s ²
Poziom natężenia dźwięku dla operatora może przekroczyć 85 dB(A) dlatego konieczne jest zastosowanie środków ochrony słuchu.	

⚠ OSTRZEŻENIE: Jeżeli poziom hałasu przekracza 85dB(A) należy zawsze stosować środki ochrony słuchu oraz ograniczyć czas narażenia słuchu na nadmierny hałas. Jeśli poziom hałasu powoduje dyskomfort, nawet w przypadku zastosowania środków ochrony słuchu, niezwłocznie przestań korzystać z narzędzia i sprawdź czy środek ochrony słuchu jest prawidłowo zamontowany i zapewnia odpowiedni poziom tłumienia dźwięku w odniesieniu do poziomu hałasu wytwarzanego przez narzędzie.

⚠ OSTRZEŻENIE: Narażenie użytkownika na wibracje narzędzia może spowodować utratę zmysłu dotyku, drętwienie, mrowienie i zmniejszenie zdolności uchwytu. Długotrwałe narażenie może prowadzić do stanu przewlekłego. Jeśli jest to konieczne, ogranicz czas narażenia na wibracje i stosuj rękawice antywibracyjne. Nie korzystaj z urządzenia w trybie ręcznym w temperaturze niższej niż normalna komfortowa temperatura otoczenia, ponieważ zwiększy to efekt wywołany przez wibracje. Skorzystaj z wartości liczbowych podanych w specyfikacji dotyczącej wibracji, aby obliczyć czas trwania i częstotliwość pracy z narzędziem.

⚠ OSTRZEŻENIE: Emisja drgań podczas rzeczywistego użytkownika elektronarzędzia może różnić się od podanej wartości całkowitej w zależności od sposobu używania narzędzia. Należy zidentyfikować i wprowadzić dodatkowe środki bezpieczeństwa, mające na celu ochronę operatora przed skutkami ekspozycji na drgania w konkretnych warunkach (trzeba wziąć pod uwagę także okresy, gdy urządzenie jest wyłączone, lub gdy jest wprawdzie włączone, ale nie jest używane do pracy).

Deklarowana wartość całkowita drgań została zmierzona zgodnie ze standardową metodą badania i może być wykorzystana do porównywania narzędzi. Deklarowana całkowita wartość drgań może być również wykorzystywana w celu przeprowadzenia wstępnej oceny narażenia.

Poziom hałasu i wibracji w specyfikacjach jest określony zgodnie z normami międzynarodowymi. Wartości te reprezentują korzystanie z urządzenia w normalnych warunkach roboczych. Niedbała konserwacja, nieprawidłowy montaż lub nieprawidłowe użytkowanie urządzenia mogą spowodować wzrost poziomu hałasu oraz wibracji. www.osha.europa.eu dostarcza informacje na temat poziomów hałasu i wibracji w środowisku pracy, które mogą być przydatne dla użytkowników prywatnych, korzystających z urządzenia przez długi czas.

Ogólne instrukcje dotyczące bezpieczeństwa

⚠ OSTRZEŻENIE: Przeczytaj wszystkie ostrzeżenia i instrukcje bezpieczeństwa. Nieprzestrzeganie ostrzeżeń i instrukcji może prowadzić do porażenia prądem, pożaru i / lub poważnych obrażeń.

Zachowaj wszystkie instrukcje do wykorzystania w przyszłości.

Termin „elektronarzędzie” odnosi się do urządzenia zasilanego sieciowo (przewodowego) lub urządzenia zasilanego za pomocą baterii (beprzewodowego).

1) Bezpieczeństwo obszaru pracy

- Zadbaj o prawidłową higienę i prawidłowe oświetlenie obszaru pracy.** Zanieczyszczenie lub brak wystarczającego oświetlenia obszaru pracy mogą doprowadzić do wypadków.
- Nie należy używać elektronarzędzi w przestrzeniach zagrożonych wybuchem, np. w obecności łatwopalnych cieczy, gazów lub pyłów.** Urządzenia elektryczne wytwarzają iskry, które mogą podpalić pył lub opary.
- Nie dopuszczaj dzieci ani innych osób do obszaru pracy elektronarzędzi.** Nieuwaga może spowodować utratę kontroli.

2) Bezpieczeństwo elektryczne

- Wtyczka elektronarzędzia musi pasować do gniazda zasilania. Nie wolno modyfikować wtyczki w żaden sposób.** Nie wolno stosować żadnych przejściówek z uziemionym urządzeniem. Oryginalne wtyczki i pasujące gniazda zmniejszają ryzyko porażenia prądem.
- Unikaj dotykania uziemionych powierzchni, takich jak rury, grzejniki, piece i lodówki.** Uziemienie ciała powoduje zwiększenie ryzyka porażenia prądem.
- Nie wystawiaj elektronarzędzi na działanie deszczu lub wilgoci.** Przedostanie się wody do urządzenia zwiększa ryzyko porażenia prądem.
- Nie należy nadwyręzać kabla. Nigdy nie używaj go do przenoszenia, przeciągania lub odłączania elektronarzędzia.** Trzymaj przewód z dala od źródeł ciepła, oleju, ostrych krawędzi lub ruchomych części urządzenia. Uszkodzone lub poplątane kable zwiększają ryzyko porażenia prądem.
- W przypadku korzystania z urządzenia na wolnym powietrzu używaj przedłużacza przystosowanego do używania na zewnątrz.** Korzystanie z przedłużacza przystosowanego do używania na zewnątrz zmniejsza ryzyko porażenia prądem.
- W przypadku korzystania z elektronarzędzia w miejscu o dużym natężeniu wilgoci należy używać gniazda zasilania wyposażonego w wyłącznik różnicowoprądowy (RCD).** Korzystanie z wyłącznika różnicowoprądowego zmniejsza ryzyko porażenia prądem.
- W przypadku korzystania z urządzenia w Australii lub Nowej Zelandii, zalecane jest zasilanie urządzenia TYLKO z wykorzystaniem wyłącznika różnicowoprądowego (RCD) o znamionowym prądzie różnicowym nieprzekraczającym 30 mA.**
- Użyj odpowiedniego przedłużacza. Upewnij się, że przedłużacz jest w dobrym stanie.** Używając przedłużacza, upewnij się, że używasz przedłużacza wystarczająco solidnego, aby utrzymać prąd pobierany przez produkt. Zbyt mały przewód spowoduje spadek napięcia w sieci, co spowoduje utratę mocy i przegrzanie.

3) Bezpieczeństwo osobiste

- a) **Podczas korzystania z elektronarzędzi bądź czujny, uważaj, co robisz i zachowaj zdrowy rozsądek. Nie używaj ich, gdy jesteś zmęczony albo pod wpływem narkotyków, alkoholu lub leków.** Chwila nieuwagi podczas obsługi urządzenia może spowodować poważne obrażenia ciała.
- b) **Korzystaj ze środków ochrony osobistej. Zawsze stosuj środki ochrony oczu.** Wyposażenie ochronne, takie jak maska przeciwpyłowa, obuwie robocze antypoślizgowe na szorstkiej podszewie, kask ochronny lub naszuszki ochronne używane w odpowiednich warunkach, zmniejsza ryzyko obrażeń.
- c) **Zapobiegaj przypadkowemu włączeniu urządzenia. Przed podłączeniem do źródła zasilania i / lub akumulatora, podnoszeniem lub przenoszeniem narzędzia, upewnij się, że przełącznik zasilania znajduje się w pozycji wyłączonej.** Przenoszenie urządzenia z palcem umieszczonym na wyłączniku zasilania lub podłączanie elektronarzędzi przy włączonym przełączniku zasilania stwarza ryzyko wypadku.
- d) **Przed włączeniem elektronarzędzia usuń z niego wszelkie klucze regulacyjne.** Narzędzie lub klucz pozostawiony w obracającej się części elektronarzędzia może spowodować obrażenia ciała.
- e) **Nie wychylaj się. W każdej chwili zachowuj odpowiednią pozycję i równowagę.** Umożliwiła to lepszą kontrolę nad elektronarzędziem w nieoczekiwanych sytuacjach.
- f) **Noś odpowiednią odzież. Nie zakładaj do pracy z elektronarzędziem luźnej odzieży ani biżuterii.** Trzymaj włosy, odzież i rękawice z dala od ruchomych części urządzenia. Luźne ubranie, biżuteria lub długie włosy mogą zostać wciągnięte przez ruchome części urządzenia.
- g) **Jeśli do zestawu załączone są urządzenia do podłączenia mechanizmów odsysania i zbierania pyłu, sprawdź czy są one przyłączone i prawidłowo zamocowane.** Korzystanie z urządzenia odsysającego pył może zmniejszyć zagrożenie pyłami.
- h) **Nie pozwól aby znajomość urządzenia, pozwoliła na ignorowanie zasad bezpieczeństwa.** Nieostrożne działanie może doprowadzić do poważnych obrażeń w ciągu sekund.
- 4) **Użytkowanie i pielęgnacja elektronarzędzi.**
- a) **Nie należy przeciążać urządzenia. Używaj narzędzi odpowiednich do danego zastosowania.** Prawidłowe narzędzie wykona zadanie lepiej i bezpieczniej w podanym zakresie sprawności.
- b) **Nie należy używać urządzenia, jeśli nie można go wyłączyć lub wyłączyć za pomocą odpowiedniego przełącznika.** Urządzenia, które nie mogą być kontrolowane za pomocą przełącznika są niebezpieczne i muszą zostać oddane do naprawy.
- c) **Przed dokonaniem regulacji, wymiany akcesoriów lub przechowywaniem elektronarzędzia odłącz wtyczkę od źródła zasilania i / lub akumulator od urządzenia.** Te prewencyjne środki bezpieczeństwa zmniejszają ryzyko przypadkowego uruchomienia elektronarzędzia.
- d) **Nie używane elektronarzędzie przechowuj w miejscu niedostępnym dla dzieci i nie dopuszczaj do nich osób nie znających elektronarzędzi lub ich instrukcji obsługi.** Elektronarzędzia stanowią niebezpieczeństwo w rękach niedoświadczonych użytkowników.

- e) **Przeprowadzaj konserwacje elektronarzędzi. Sprawdź urządzenie pod kątem nieprawidłowego ustawienia lub zablokowania elementów ruchomych, pęknięć części lub innych usterek, które mogą mieć negatywny wpływ na funkcjonowanie urządzenia.** W przypadku usterki należy naprawić urządzenie przed ponownym użyciem. Niewłaściwa konserwacja elektronarzędzi jest przyczyną wielu wypadków.
- f) **Utrzymuj narzędzia tnące w czystości i dobrze naostrzone.** Zadbane narzędzia tnące z ostrymi krawędziami tnącymi rzadziej się zacinają i łatwiej nimi sterować.
- g) **Używaj elektronarzędzia, akcesoria, końcówki itp. zgodnie z tymi instrukcjami, biorąc pod uwagę warunki pracy i realizowane zadania.** Używanie narzędzi do wykonywania prac niezgodnych z ich przeznaczeniem może doprowadzić do niebezpiecznych sytuacji.
- h) **Utrzymuj rękojeści oraz powierzchnie uchwytów suchą, czystą bez oleju i smaru.** Śliskie uchwyty nie zapewniają bezpiecznej obsługi i kontroli narzędzia w nieoczekiwanych sytuacjach.
- 5) **Serwis**
- a) **Urządzenie powinno być serwisowane przez wykwalifikowany personel naprawy przy użyciu wyłącznie oryginalnych części zamiennych.** Zagwarantuje to bezpieczeństwo elektronarzędzia.

Dodatkowe zasady bezpieczeństwa dotyczące korzystania z frezarek



- **Należy trzymać urządzenie wyłącznie za izolowane uchwyty gdyż może dojść do nagłego kontaktu ostrej z przewodem zasilania.** Przecięcie kabla pod napięciem może spowodować, że odsłonięte elementy metalowe staną się przewodnikiem prądu i mogą grozić porażeniem prądu operatora.
 - **Zaleca się korzystanie z zacisków, bądź innej podobnej metody do zabezpieczenia elementu obróbki na stabilnym podłożu.** Przytrzymanie obrabianego elementu rękoma bądź opierając go o siebie, sprawia, że jest on niestabilny i stanowi ryzyko utraty kontroli.
 - **W razie konieczności wymiany przewodu zasilania, należy jej dokonać przez producenta bądź jego powiernika, aby uniknąć ryzyka bezpieczeństwa.**
 - **Zalecane jest zasilanie urządzenia tylko z wykorzystaniem wyłącznika różnicowoprądowego (RCD) o znamionowym prądzie różnicowym nie przekraczającym 30 mA.**
- a) **Należy stosować środki ochrony osobistej, w tym okulary ochronne albo maskę, ochroniacze słuchu, maskę przeciwpyłową oraz odzież ochronną, w tym rękawice ochronne**
- b) **Nie należy pozostawiać w obszarze roboczym odzież, przewodów, sznurów itp.**
- c) **Upewnij się, napięcie zasilania sieci jest taka samo jak napięcie określone na tabliczce znamionowej**

- d) Upewnij się, że przedłużacze używane przy narzędziu są w bezpiecznym stanie elektrycznym i posiadają prawidłowy amperaż, odpowiedni dla danego narzędzia
- e) Należy całkowicie rozwinąć przedłużacze bębnowe, aby uniknąć przegrzania
- f) Stosować odpowiednie detektory celem ustalenia, czy w obszarze roboczym ukryte są jakiegokolwiek przewody. Skonsultuj się z przedsiębiorstwami o pomoc, w razie konieczności. Kontakt z przewodami elektrycznymi lub gazowymi może doprowadzić do porażenia prądem i pożaru. Uszkodzenie rury gazowej może doprowadzić do wybuchu. Kontakt z liniami wodnymi może doprowadzić do poważnego uszkodzenia mienia.
- g) Przed rozpoczęciem obróbki upewnij się, że z przedmiotu obrabianego zostały usunięte wszystkie osadzone w nim elementy, takie jak gwoździe i śruby.
- h) Ostrożnie obchodź się z frezami, ponieważ mogą być one bardzo ostre
- i) Przed skorzystaniem z frezu dokładnie sprawdź go pod kątem uszkodzeń lub pęknięć. Należy niezwłocznie wymienić uszkodzone lub pęknięte frezy
- j) Upewnij się, że frezy/bity są odpowiednio konserwowane. Zużyte krawędzie tnące mogą doprowadzić do niekontrolowanej sytuacji, jak zwiększenie ciepła i możliwych obrażeń
- k) **ZAWSZE** Stosuj oba uchwyty frezarki i przed rozpoczęciem pracy upewnij się, że możesz dobrze i prawidłowo chwycić urządzenie
- l) Uchwyty oraz ich powierzchnia powinna być sucha, czysta bez oleju i smaru, aby się upewnić, że urządzenie może być bezpiecznie trzymane podczas pracy
- m) Przed rozpoczęciem cięcia na chwilę uruchom urządzenie. W przypadku nieprawidłowego zainstalowania frezu odczujesz wibrację
- n) Sprawdź kierunek obrotów frezu i kierunek posuwu
- o) Trzymaj ręce z dala od obracającego się frezu. Trzymaj dodatkową rękę/kość bądź izolowany uchwyt drugą ręką
- p) Nigdy nie uruchamiaj frezarki, jeśli frez dotyka przedmiotu obróbki
- q) Przy obsłudze w trybie ręcznym, upewnij się, że zamocowana jest sprężyna trzpienia wgłębnego
- r) Przed wcięciem do pozycji blokady tulei zaciskowej upewnij się, że frez jest całkowicie zatrzymany
- s) Maksymalna prędkość bitu/frezu musi być przynajmniej tak szybka jak maksymalna szybkość urządzenia
- t) Nie dotykaj frezów bezpośrednio po zakończeniu użytkowania narzędzia - ulegają one silnemu nagrzananiu. Zaraz po zakończeniu pracy nie dotykaj akcesorium, gdyż grozi to poparzeniem
- u) Nie pozwól aby części urządzenia dotykały materiałów łatwopalnych
- v) Należy stosować wyłącznie frezy o średnicy trzonu odpowiadającej tulei lub tulejom zaciskowym dostarczonym w danej frezarce. Niepoprawnie zamontowane bity/frezy będą nierówno się obracać, co wzmoże siłę wibracji, co może być powodem utraty kontroli
- w) **NIE** wciskaj przycisku blokady wrzeczona, bądź nie próbuj dokonać wymiany akcesoriów, kiedy frezarka znajduje się w stanie pracy
- x) Utrzymuj to samo napięcie podczas pracy w materiale, pozwalając frezowi dyktować prędkość cięcia. **NIE** przeciążaj urządzenie, ani silnika
- y) Upewnij się, że tabliczka znamionowa oraz inne ostrzeżenia, znajdujące się na maszynie są czyste i łatwe do odczytania, w razie zniszczenia należy je natychmiast wymienić
- z) Podczas operowania maszyną, należy być przygotowanym na zakleszczenie się frezu w materiale, a co za tym idzie utratę kontroli. Miej pewność, że maszyna jest mocno i pewnie trzymana, zaś wyłącznik on/off jest natychmiastowo zwolniony w podobnych okolicznościach
- Po włączeniu frezarki, należy sprawdzić, czy frez obraca się równomiernie, bez odczuwalnych wibracji, które wskazują na niepoprawnie zamontowane frez. Korzystanie z frezarki z niepoprawnie zamontowanym bitem, może spowodować utratę kontroli i grozi obrażeniami
 - Podczas korzystania z frezów o średnicy większej niż 50 mm należy zachować SZCZEGÓLNA ostrożność. Stosuj bardzo powolny posuw i / lub wykonuj wiele płytkich cięć, aby uniknąć przeciążenia silnika
 - Przed zdjęciem urządzenia z przedmiotu obróbki należy **ZAWSZE** wyłączyć narzędzie i zaczekać, aż frez całkowicie się zatrzyma
 - Należy odłączyć urządzenie od zasilania przed przeprowadzaniem wszelkich czynności regulacyjnych, serwisowych lub konserwacyjnych
 - Pomimo zastosowania się do następujących instrukcji obsługi narzędzia nie jest możliwe wyeliminowanie wszystkich czynników ryzyka reszkowego. Nie korzystaj z urządzenia w przypadku pojawienia się wątpliwości dotyczących jego bezpiecznego użytkowania.
- ⚠ OSTRZEŻENIE: Pył wytwarzany podczas pracy z elektronarzędziem może być toksyczny.** Niektóre materiały mogą być pokryte chemicznymi substancjami, które stanowią zagrożenie toksyczne. Niektóre materiały naturalne bądź kompozytowe także mogą zawierać toksyczne substancje chemiczne. Niektóre stare farby mogą zawierać ołów bądź inne substancje chemiczne. Unikaj długotrwałego narażenia pyłu i kurzu wytwarzanego podczas pracy frezarką. **NIE WOLNO** pozwolić na to, aby pył/kurz dostał się do oczu, skóry, ani ust, aby zapobiec wchłanianiu szkodliwych substancji chemicznych. W miarę możliwości zaleca się pracę w dobrze wentylowanym pomieszczeniu. Jeśli jest to możliwe, zaleca się korzystanie z masek oraz systemu odsysania pyłu. W przypadku większej ekspozycji na kurz, wszystkie środki bezpieczeństwa muszą być przestrzegane, a wyższe środki ochrony używane.

Przedstawienie produktu

1. Ograniczniki wieżyczkowe
2. Uchwyt
3. Ogranicznik głębokości
4. Odpowietrzniki boczne
5. Pokrętko blokujące ogranicznik głębokości
6. Silnik
7. Pokrywa powrotna przełącznika zasilania
8. Przełącznik zasilania On/Off
9. Osłona szczotek węglowych
10. Regulator prędkości
11. Dźwignia blokady trzpienia
12. Osłony zabezpieczające
13. Pokrętła mocujące przedłużenia prowadnicy

14. Złącze pokrętła regulacji wysokości stołu
 15. Przyłącze do odsysania pyłu
 16. Automatyczna blokada wrzeciona
 17. Pierścień sprzęgła uchwyty pokrętła
 18. Przycisk wyboru trybu trzpienia węglębnego
 19. Nawijacz
 20. Mikropokrętło
 21. Osłona dostępu sprężyny zanurzeniowej
 22. Wejście na klucza obejścia NVR
 23. Prowadnica
 24. Tuleja zaciskowa
 25. Pokrętło regulacji wysokości stołu
 26. Klucz
 27. Trzpień obrotowy
 28. Przedłużenie płyty bazowej
 29. Klucz obejścia NVR
- Rys. II**
- A. ¼ UNC x 4
 - B. M6 x 3
 - C. Wcięcie na pokrętło regulacji stołu

Zastosowanie zgodne z przeznaczeniem

Precyzyjna frezarka górnwrzecionowe przeznaczona do wycinania profili, rowkowania krawędzi i wydłużonych otworów w drewnie naturalnym i kompozytowym. Stosowana również z tulejami prowadzącymi i szablonami do wycinania kształtów i podążania za wzorami. Nadaje się do stacjonarnej instalacji w module do frezarki górnwrzecionowej Triton stosowanej z Triton Workcentre i innych odpowiednich systemach stołowych.

Urządzenie nie jest przeznaczone do komercyjnego użytku.

Urządzenie może być wykorzystane TYLKO do zastosowań zgodnych z jego przeznaczeniem. Jakikolwiek inne użycie niż te wymienione w niniejszej instrukcji, będzie uważane za przypadek nadużycia. Użytkownik, a nie producent, ponosi odpowiedzialność za jakiegokolwiek uszkodzenia lub szkody powstałe w wyniku niepoprawnego użytkowania. Producent nie ponosi odpowiedzialności za jakiegokolwiek modyfikacje narzędzia ani za szkody powstałe w wyniku próby modyfikacji.

Rozpakowanie urządzenia

- Ostrożnie rozpakuj i sprawdź produkt. Zapoznaj się ze wszystkimi mechanizmami i funkcjami.
- Upewnij się, że produkt zawiera wszystkie części i są one w dobrym stanie.

Przygotowanie do eksploatacji

⚠ OSTRZEŻENIE: Przed podłączeniem lub wymianą akcesoriów upewnij się, że narzędzie jest odłączone do źródła zasilania.

⚠ OSTRZEŻENIE: Okresowo, podczas długotrwałego użytkowania lub gdy frezarka była transportowana lub upuszczona, należy sprawdzić, czy osłona dostępu do sprężyny zanurzeniowej (21) jest prawidłowo umieszczona i zabezpieczona na swoim miejscu. Powinna być umieszczona równoległe do korpusu narzędzia bez widocznej szczeliny, a śruba zabezpieczająca powinna być prawidłowo umieszczona, aby zapobiec przypadkowemu odkręceniu osłony dostępu do sprężyny zanurzeniowej, patrz ilustracją O. Sprężyna zanurzeniowa jest napreżona z wystarczającą siłą, aby spowodować poważne obrażenia, jeśli zostanie wypuszczony w niekontrolowanym dworze. Zawsze postępuj zgodnie z instrukcjami podczas wyjmowania i wymiany sprężyny numikowej.

Mocowanie tulei zaciskowej i frezu

Uwaga: Należy nosić rękawice ochronne podczas mocowania i wyjmowania frezu, ze względu na jego ostre krawędzie.

1. Umieść frezarkę do góry nogami na płaskiej powierzchni, z silnikiem kompletnie nieruchomym, zaś przewodem zasilania wyciągniętym ze źródła zasilania
2. Zanurz frezarkę na swoją maksymalną głębokość przez wciśnięcie pierścienia sprzęgła pokrętła na uchwycie (17) (zdjęcie B) do środka i obrócenie rękojeści – pokrętła (19) w prawo do momentu, kiedy tuleja zaciskowa (24) będzie wystawać spod podstawy

Uwaga: Upewnij się, że ogranicznik głębokości (3) jest całkowicie schowany (patrz 'Ogranicznik głębokości oraz głowicy rewolwerowej'). Tuleja zaciskowa powinna wystawać z podstawy, umożliwiając na łatwy dostęp dla klucza

3. Przy pomocy klucza (26) dołączonego w zestawie, połuzuj tuleję zaciskową poprzez odkręcenie jej w kierunku odwrotnym do ruchu wskazówek zegara, a następnie wyjęcie
4. Wybierz odpowiednią tuleję zaciskową i zainstaluj w uchwycie (2) poprzez skręcenie tulei w kierunku zgodnym z ruchem wskazówek zegara
5. Włóż frez w środek tulei upewniając się, że przynajmniej 20 mm bądź połowa trzpienia (w zależności, co jest większe) jest włożona w tuleję, po czym użyj klucza, aby lekko obrócić tuleję, by została poprawnie umieszczona w maszynie (zdjęcie C). Po czym użyj klucza, aby dokręcić frez w kierunku zgodnym z ruchem zegara
6. Odwróć frezarkę do normalnej głębokości pracy. Spowoduje to wyłączenie blokady tulei i uwolni przełącznik On/Off (8)

Przyłącze do odsysania pyłu

Uwaga: Frezarka Triton wyposażona jest w przyłącze do odsysania pyłu (15) w celu usuwania wiórów znad obszaru cięcia. Nadaje się ono do przyłączenia węża o średnicy zewnętrznej 38 mm Przyłącze kompatybilne z pojemnikiem i strzyżyny, 20 l (DCA300)

- Wąż przykręcony jest w odpowiednim miejscu za pomocą gwintu lewoskrętnego (kręcąc w lewo), (Zdjęcie D)

Opcjonalny system odsysania

- Opcjonalny wąż do odsysania umożliwi efektywną ekstrakcję pyłu wokół obszaru cięcia, produkt dostępny u dystrybutora Triton. Możliwość podłączenia do jakiegokolwiek węża 38 mm (zdjęcie E)

Przedłużenie płyty bazowej oraz mocowanie prowadnicy

1. Złokalizuj dwa pokręta mocujące przedłużenie prowadnicy (13) i poluzuj je całkowicie. Pozwoli to na wprowadzenie kołków montażowych w otwory frezarki na przedłużeniu płyty bazowej (Z8)
2. Odwróć frezarkę i przedłużenie płyty bazowej do góry nogami
3. Wciśnij pokrętła mocujące na frezarce, aby odkryły kolki montażowe
4. Wyrównaj kolki montażowe z otworami mocującymi frezarki w rozszerzonej płycie bazowej i wsuń je w otwory w kształcie dziurki od klucza (zdjęcie K)

Uwaga: Orientacja rozszerzonej płyty bazowej zależy od tego, gdzie wymagana jest podpora. Do pracy na krawędzi materiału, znajdź przełącznik zasilania On/Off (11), na krótkim boku wystającej podstawy.

5. Przykręć pokrętła mocujące przedłużenie płyty bazowej na zanurzonej frezarce solidnie, aby ją zabezpieczyć do przedłużenia płyty bazowej
6. W celu zamocowania prowadnicy (23) poluzuj pokrętła blokady prowadnicy i wsuń prowadnicę wzdłuż torów na przedłużeniu płyty bazowej (zdjęcie L). Zablokuj prowadnicę w żądanym ustawieniu dokręcając oba pokrętła blokady prowadnicy.

Uwaga: W przypadku wycinania żłobień w pewnej odległości od krawędzi, zamocuj prowadnicę na dłuższym krańcu przedłużenia płyty podstawy.

Uwaga: W przypadku wykonywania obróbki krawędzi za pomocą naprowadzanego frezu beźłożyskowego, zamocuj kątownik na krótszym krańcu prowadnicy (zdjęcie J).

Uwaga: W przypadku frezu o bardzo dużej średnicy możliwa jest konieczność zamocowania na bokach ogranicznika przy użyciu otworów śrubowych drewnianych klocek w celu zabezpieczenia frezu przed kontaktem z kątownikiem.

Obsługa

⚠ OSTRZEŻENIE: Należy ZAWSZE nosić odpowiednie wyposażenie ochronne, w tym okulary ochronne, nauszniki przeciwhałasowe, maskę przeciwpyłową podczas pracy powyższym urządzeniem.

Włączanie i wyłączenie

Uwaga: Kiedy frezarka jest podłączona do źródła zasilania, przełącznik zasilania On/Off (8) będzie świecił zarówno w pozycji 'on' jak i 'off'.

Uwaga: Pokrywa powrotna przełącznika zasilania (7) zapobiega przypadkowemu uruchomieniu frezarki. Dlatego też musi być zaciągnięta zanim frezarka zostanie uruchomiona. Osłona pozostanie otwarta, dopóki frezarka nie zostanie wyłączona.

1. Upewnij się, że frezarka znajduje się na maksymalnym rozszerzeniu swojego przejścia, zaś frez nie dotyka żadnych obcych elementów, kiedy jest podłączona do zasilania
2. Podłącz przewód zasilania i przesuń pokrywę powrotną przełącznika zasilania On/Off, aby odsłonić włącznik

3. Wciśnij przełącznik zasilania On/Off na pozycję '1', aby uruchomić frezarkę. Kiedy przełącznik zasilania On/Off znajduje się w tej pozycji, pokrywa powrotna przełącznika zapobiegnie odsonięciu tego przełącznika
4. Aby wyłączyć frezarkę, wciśnij przełącznik On/Off, na pozycję '0'. Pokrywa powrotna przesunie się na swoją pierwotną pozycję.

Płynna regulacja prędkości

Uwaga: Wartości prędkości frezarki nie są krytyczne. Generalnie, należy stosować najwyższą prędkość, przy której frezarka nie pozostawi na przedmiocie obróbki śladów przypalenia. Jeśli jest to wymagane, należy zawsze przestrzegać fabrycznych ograniczeń prędkości maksymalnej.

- Obsługa przy zredukowanej prędkości zwiększa ryzyko uszkodzenia frezarki w wyniku przeciążenia. Stosuj bardzo powolny posuw i / lub wykonuj wiele płytkich cięć.
- Regulator prędkości (10) posiada skalę od 1 do 5, odpowiadającą w przybliżeniu podanym poniżej prędkościom i średnicom frezów. Przekręć tarczę regulatora, aby ustawić wybraną prędkość.

Ustawienie	Prędkość (min ⁻¹)	Średnica cięcia
5	21.000	Do 25 mm
4	18.000	25 – 50 mm
3	14.500	50 – 65 mm
2	11.000	Powyżej 65 mm
1	8.000	Stosuj wyłącznie w przypadku wystąpienia przypalenia

Regulacja głębokości cięcia

WAŻNE:

JEŚLI NIE PRZESTRZEGASZ TYCH INSTRUKCJI, USZKODZISZ MECHANIZM ZANURZENIOWY.

ZAWSZE upewnij się, że dźwignia blokady trzpienia (11) jest odblokowana, ustawiając ją w najwyższej pozycji przed regulacją głębokości cięcia za pomocą poniższych metod „Trzpień wgłębny swobodny” lub „Regulacja rękojeści-pokrętła”.



Uwaga: Aby zablokować frezarkę, na wymaganej głębokości cięcia, należy zanurzyć głowicę maszyny i obrócić dźwignię blokady trzpienia (11). Spowoduje to utrzymanie głowicy frezarki w takiej pozycji.

- W zależności od wymaganej dokładności i kontroli dostępne są trzy metody regulacji głębokości cięcia:

Trzpień wgłębny swobodny

1. Regulacja głębokości w trybie trzpienia wgłębnego swobodnego może zostać przeprowadzona przy włączeniu przycisku wyboru głębokości trzpienia wgłębnego (18). Naciśnij go głęboko, aż do zatrzaśnięcia wewnątrz uchwyty (zdjęcie A)
2. **Zwolnij dźwignię blokady trzpienia wgłębego (11)** i pchnij korpus frezarki, aż do osiągnięcia żądanej głębokości. Zablokuj dźwignię blokady trzpienia wgłębego.

Regulacja rękojeści - pokrętła

1. Regulację głębokości zanurzenia można dokonać dzięki przekręceniu rękojeści - pokrętła (19)
2. Zwolnij przycisk wyboru głębokości trzpienia wgłębego (6) i upewnij się, że przycisk znajduje się na równi z rękojeścią - pokrętłem
3. Aby uwrócić rękojeść, pociągnij pierścien sprężła pokrętła na uchwycie (17) do środka (zdjęcie B)
4. **Zwolnij dźwignię blokady trzpienia wgłębego (11)** i obróć rękojeść - pokrętło, dopóki żądana głębokość cięcia zostanie nieosiągnięta. Zwolnij pierścien sprężła pokrętła na uchwycie i zablokuj dźwignię blokady trzpienia wgłębego

Mikropokrętło

Uwaga: Do użycia wyłącznie z rękojeścią - pokrętłem (19) w trybie zanurzenia wyłącznicze.

1. Zwolnij przycisk wyboru głębokości trzpienia wgłębego (18), i upewnij się, że dźwignia blokady trzpienia wgłębego (11) jest odblokowana

Uwaga: Jeśli Mikropokrętło (20) jest włączone w momencie, gdy dźwignia blokady trzpienia jest zablokowana, zacznie ono klikać, a głębokość cięcia nie ulegnie zmianie.

2. Obróć mikropokrętło w prawo, aby zwiększyć głębokość cięcia i w lewo, aby ją zmniejszyć. Dostosuj głębokość cięcia, aż zostanie osiągnięta żądana wysokość

Uwaga: W momencie osiągnięcia końca zasięgu regulacji głębokości cięcia, mikropokrętło napotka większy opór i zacznie „klikać”.

3. Zablokuj dźwignię blokady trzpienia wgłębego, w szczególności w przypadku obróbki ciężkiej

Ogranicznik głębokości i głowicy rewolwerowej

1. Ogranicznik głębokości (3) i ograniczniki głowicy rewolwerowej (1) wykorzystywane są w celu dokładnego zaprogramowania do trzech głębokości cięcia
2. Poluzuj pokrętło blokujące ogranicznika głębokości (5) i całkowicie cofnij ogranicznik głębokości, a następnie dokręć pokrętło (zdjęcie F)
3. Ustaw pokrętło tarczowe głowicy rewolwerowej na żądaną głębokość (żądane głębokości) cięcia za pomocą skali umieszczonej na trzonie głowicy (zdjęcie G)

Uwaga: Aby zmienić ogranicznik głowicy rewolwerowej, należy obrócić całą głowicę wyrównując wraz z ogranicznikiem głębokości.

4. Po zamontowaniu frezu na tulei zaciskowej (24), wyreguluj głębokość cięcia, aż czubek frezu wyrówna się z twoją podstawą odniesienia
5. Obróć głowicę rewolwerową, aż zamocowany trzon głowicy wyrówna się z ogranicznikiem głębokości. Zwolnij ogranicznik umożliwiając mu zaskoczenie za trzonie, a następnie dokręć. Głębokość zanurzenia powinna być teraz ustawiona na zero
6. Ponownie obróć głowicę, aby śruba wybranego pokrętła tarczowego wyrównała się z ogranicznikiem

Opcjonalne użycie pierścieni kopiujących

Różne pierścienie kopiujące umożliwiają frezowanie liter i wzorów. Zestaw akcesoriów dostępny u dystrybutora narzędzi Triton.

Cięcie

Uwaga: NIGDY nie wolno operować frezarką z wolnej ręki bez jakiegokolwiek formy prowadnicy. Rodzaj takiego przewodnika może być zapewniony przez frez z łożyskiem, prowadnicę równoległą oraz prostą krawędź (zdjęcie I).

1. Należy **ZAWSZE** trzymać frezarkę obiema rękoma na uchwytach. Upewnij się, że przedmiot obróbki nie przesuwa się. Skorzystaj ze ścisków stolarskich, jeśli to możliwe
2. Pozwól silnikowi na osiągnięcie maksymalnej prędkości, na którą został ustawiony
3. Zanurz frez w przedmiocie obróbki podczas powolnego przesuwania frezarki, utrzymując płytę podstawy płasko naprzeciw obrabianego materiału
4. W przypadku ścinania krawędzi, cięcie materiału powinno się odbywać po lewej stronie względem kierunku cięcia (rys. I). Utrzymuj taki sam nacisk i pozwól frezowi na powolną pracę w materiale. Miej świadomość, iż sęki oraz inne sytuacje spowolnią tempo postępu

Uwaga: Aby uniknąć szarpania frezu, należy skierować cięcie w kierunku odwrotnym do ruchu wskazówek zegara dla cięć zewnętrznych, zaś dla cięć wewnętrznych pracować zgodnie z ruchem wskazówek zegara.

Uwaga: Zbyt szybkie przesuwanie frezarki może spowodować kłopską, jakość wykończenia i przeciążenie silnika (6). Zaś zbyt wolna praca frezarką może sprawić przegrzanie materiału obróbki.

Uwaga: Normalna obsługa frezarki polega na zanurzeniu głowicy urządzenia po uruchomieniu maszyny.

Uwaga: Nie wolno obsługiwać frezarki do góry nogami, chyba, że jest bezpiecznie zamontowana na stole przeznaczonym do takiej maszyny (np. marki Triton).

Wykonywanie wielokrotnych cięć

1. Ogranicznik głowicy rewolwerowej (1) pozwala na osiągnięcie maksymalnej głębokości cięcia w ilości etapów określonych przez operatora. Każdy etap może być skonfigurowany poprzez ustawienie pokrętła na słupku rewolwerowym
2. Obróć głowicę rewolwerową, tak, aby ogranicznik głębokości (3) dotknął najwyżej ustawionego słupka głowicy rewolwerowej, kiedy frezarka zostanie zanurzona. Pierwsze cięcie może zostać teraz wykonane
3. Kontynuuj wykonywanie cięć, obracając głowicę rewolwerową i dostosowując głębokość słupków rewolwerowych do każdego cięcia, kiedy jest to konieczne, dopóki pełna głębokość cięcia zostanie osiągnięta

Wycinanie okręgów

1. Przymocuj przedłużenie prowadnicy (28), bez prowadnicy (23) zamontowanej do frezarki
2. Usuń trzpień obrotowy do cięcia okręgowego (27) z przedłużenia do prowadnicy i zamocuj go przez niewielki otwór w trzpieniu na środku elementu obróbki za pomocą małego gwóźdźka lub śrubki (Zdjęcie M). Zostaw mocowanie śruby w miejscu

- Opuść frezarkę i prowadnicę frezarki na trzpień obrotowy i ponownie zamocuj podkładkę oraz nakrętkę motylkową (Zdjęcie N)
- Przy wyłączonym zasilaniu obróć frezarkę wzdłuż planowanego toru cięcia, aby sprawdzić, czy wykona okrąg i, jeśli to konieczne, dokonaj niezbędnej korekty.
- Wycinaj okrąg poprzez wykonanie kilku cięć, za każdym razem zwiększając głębokość cięcia o około 2 mm (zdjęcie N). Nie próbuj wycinać głębokiego okręgu za pierwszym podejściem
- Cięcie na wylot:** W przypadku przecinania materiału na wylot zamocuj pod przedmiotem obróbki płytę protektorową. Wytnij okrąg o zbyt dużym rozmiarze, a następnie, po przecięciu na wylot, zredukuj średnicę i docinaj materiał dożądanego rozmiaru wykonując delikatne cięcia na pełnej głębokości.

Obsługa urządzenia zamontowanego na stole

⚠️ OSTRZEŻENIE: Przy użyciu Workcentre Modułu do frezarki marki Triton WX7RT001, maksymalna średnica frezu powinna wynosić 50 mm. Zostało to określone przez specyfikacje Workcentre.

Uwaga: mocowanie i obsługa frezarki na stole frezerskim powinny być przeprowadzane zgodnie z instrukcjami załączonymi do stołu frezerskiego.

Uwaga: Chociaż produkt ten został zaprojektowany do wydajnego i sprawnego działania na większości stołów frezerskich, nadaje się on do użytku szczególnie w połączeniu z Precyzyjnym panelem do frezarki górnoprzecionowej Triton TWX7RT001.

Uwaga: Regulacja frezarki jest niezwykle łatwa dzięki unikalnym funkcjom opisanym powyżej w niniejszej instrukcji obsługi. Patrz rozdziały „Mocowanie i wymiana frezów” oraz „Regulacja głębokości cięcia”.

WAŻNE: Przed zamontowaniem frezarki na stole frezerskim NALEŻY usunąć sprężynę trzpienia:

- Ustaw frezarkę w przedziale trzpienia i zablokuj dźwignię blokady trzpienia (11)
- Poluzuj niewielką śrubkę znajdującą się obok osłony dostępu sprężyny trzpienia (21) (zdjęcie O)
- Za pomocą dłoni, naciśnij w dół osłonę dostępu do sprężyny zanurzeniowej i mocno chwyc osłonę dostępu do sprężyny zanurzeniowej drugą ręką, aby zapobiec wystrzeleniu sprężyny w górę po zwolnieniu. Utrzymując docisk w dół i mocny chwyt, przekręć osłonę dostępu do sprężyny zanurzeniowej w kierunku przeciwnym do ruchu wskazówek zegara, aby ją zdjąć wyjmij sprężynę i odłóż w bezpieczne miejsce (zdjęcie P)

⚠️ OSTRZEŻENIE: Sprężyna zanurzeniowa jest napinana z dużą siłą, aby umożliwić płynne zanurzenie. Osłona dostępu do sprężyny zanurzeniowej i sprężyna zanurzeniowa wystrzela szybko z taką samą siłą po odkręceniu. Uważaj, aby nie zwolnić osłony dostępu do sprężyny zanurzeniowej w niekontrolowanej pozycji, ponieważ może to spowodować obrażenia ciała.

- Po zwolnieniu powoli pozwól osłonie dostępu do sprężyny zanurzeniowej podnieść się do góry (zdjęcie Q)
- Wyjmij sprężynę i przechowaj w bezpiecznym miejscu
- Ponownie załóż osłonę dostępu sprężyny trzpienia i dokręć śrubkę

⚠️ OSTRZEŻENIE: Podczas ponownego wkładania sprężyny zanurzeniowej należy dokładnie sprawdzić, czy osłona dostępu do sprężyny zanurzeniowej jest prawidłowo zamocowana. Powinien być ustawiony równoległe do korpusu narzędzia bez widocznej szczeliny, a śruba mocująca powinna być prawidłowo umieszczona, aby zapobiec przypadkowemu odkręceniu osłony dostępu do sprężyny zanurzeniowej.

UWAGA: Pamiętaj, aby zamontować sprężynę trzpienia przed ponownym skorzystaniem z frezarki w trybie ręcznym.

IWAŻNE: Przed zamontowaniem frezarki pod stołem frezarki upewnij się, że pokrętko blokady głębokości (5) jest poluzowane, a poziom blokady zagłębiania (11) jest w pozycji odblokowanej.

- Pokrętko regulacji wysokości stołu (25) współpracuje z złączem dla pokrętkła regulacji wysokości stołu (14), umożliwiając szybką i łatwą regulację wysokości nad stołem, gdy frezarka jest zamontowana na blacie

Instalowanie klucza obejściowego bez napięciowego zwolnienia:

Frezarka górnoprzecionowa TRA001 posiada funkcję No Voltage Release (NVR), czyli, braku zwolnienia napięcia, który zapobiega automatycznemu ponownemu uruchomieniu silnika po przerwie w zasilaniu. Aby zresetować narzędzie, przełącznik należy ustawić w pozycji OFF przed ponownym włączeniem. W przypadku użycia z TWX7 Workcentre (z TWX7RT001 blatem do frezarki) lub stołem do frezarki innej firmy, który ma własne zabezpieczenie NVR, tę funkcję można ominąć, wkładając klucz obejściowy NVR (29). Umożliwia to sterowanie włączaniem / wyłączaniem narzędzia za pomocą przełącznika ON / OFF na stole frezerskim.

- Wkręć klucz obejścia NVR w wejście klucza obejścia NVR (22) i delikatnie dokręć (zdjęcie T)
- Przymocuj uchwyt do spodu Workcentre (zdjęcie U)
- Uruchom frezarkę, korzystając z przełącznika ON/OFF na blacie do frezarki, aby sterować urządzeniem

⚠️ OSTRZEŻENIE: Klucza obejściowego NVR należy używać WYŁĄCZNIE, gdy frezarka jest podłączony do źródła zasilania, które samo jest chronione przez system ochrony przed zwolnieniem napięcia, taki jak Triton TWX7 Workcentre. ZAWSZE upewnij się, że uchwyt jest zamontowany do stołu frezarki, aby uniknąć przypadkowego usunięcia frezarki bez wyjmowania klucza obejściowego.

Dostęp do gwintów śrubowych w płycie podstawy

- Aby zamontować frezarkę na stole innej firmy bądź stworzonym przez siebie stole warsztatowym do frezowania, należy wyjąć 4 x wkręty z płyty podstawy, wskazanej na zdjęciu S, po czym wyjąć płytę
- Na rysunku II widoczne są dwa zestawy gwintów do wkrętów. Są to gwinty 4-1/4 UNC (A), które zabezpieczają płytę podstawy, jak również odpowiednio do montażu do stołu warsztatowego plus gwinty na śruby 3 x M6 (B)

Uwaga: Gwinty M6 nie są dostępne we wcześniejszej wersji frezarki TRA001.

Akcesoria

Szeroki wybór akcesoriów dla tego urządzenia, w tym dużego zakresu frezów ¼" oraz 3,1 mm trzpieniem są dostępne u dystrybutora firmy Triton. Części zamienne są dostępne do nabycia u dystrybutora narzędzi Triton lub przez Internet na stronie www.toolsparsonline.com.

Konserwacja

⚠ OSTRZEŻENIE: ZAWSZE przed przeprowadzeniem czynności konserwacyjnych/czyszczenia odłączać ładowarkę od źródła zasilania.

Kontrola rutynowa

- Regularnie sprawdzaj, czy wszystkie śruby mocujące są odpowiednio dokręcone.
- Sprawdź przewód zasilania urządzenia pod kątem uszkodzeń i zużycia za każdym razem przed rozpoczęciem użytkowania urządzenia. Naprawy powinny być przeprowadzane przez autoryzowane centrum serwisowe. Zalecenie to dotyczy również przewodów zasilania wykorzystywanych przy urządzeniu.

Czyszczenie

- ⚠ OSTRZEŻENIE:** Zawsze podczas czyszczenia urządzenia stosuj środki ochrony osobistej, takie jak okulary i rękawice ochronne.
- Należy zawsze dbać o czystość urządzenia. Brud i kurz powodują szybsze zużycie elementów wewnętrznych i skracają okres eksploatacji urządzenia
- Należy zmyć korpus urządzenia miękką szcztotką lub suchą ścierką
- Do czyszczenia elementów plastikowych nie należy używać środków żrących. Jeśli czyszczenie na sucho nie przynosi wystarczających efektów, zalecane jest użycie wilgotnej szmatki i łagodnego detergentu.
- Nie wolno dopuszczać do kontaktu urządzenia z wodą
- Upewnij się, że urządzenie jest całkowicie suche przed ponownym włączeniem
- Jeśli to możliwe, przedmuchać otwory wentylacyjne czystym powietrzem sprężonym (w stosownych przypadkach)

Smarowanie

- Lekko nasmaruj wszystkie ruchome części w regularnych odstępach czasu odpowiednim smarem w sprayu

Szcztotki

- Szcztotki węglowe wewnątrz silnika (6) mogą ulec zużyciu z biegiem czasu
- Nadmierne zużycie szcztotek może powodować utratę mocy, sporadyczne awarie lub widoczne iskrzenie.
- W celu wymiany szcztotek, należy wykręcić osłonę dostępu do szcztotek (9) z obu stron maszyny. Wyjmij szcztotki zużyte (zdjęcie R) i włóż nowe. Włóż z powrotem osłonę dostępu do szcztotek
- Po zamontowaniu szcztotek uruchom frezarkę na 2 – 3 minuty, aby pomóc szcztotkom zagnieździć się w urządzeniu. Pełny proces zagnieźdzenia się szcztotek może wymagać kilku użyci. Może nastąpić iskrzenie silnika
- W innym przypadku przekaz urządzenie do autoryzowanego punktu serwisowego

Kontakt

W celu uzyskania porady technicznej lub naprawy, skontaktuj się z infolinią pod numerem (+44) 1935 382 222

Strona online: www.tritontools.com

Adres (GBR):

Toolstream Ltd.
Boundary Way
Lufton Trading Estate
Yeovil, Somerset
BA22 8HZ, Wielka Brytania

Adres (UE):

Toolstream B.V.
Hogeweg 39
5301 LJ Zaltbommel
Holandia

Przechowywanie

- Należy przechowywać narzędzie w bezpiecznym, suchym miejscu niedostępnym dla dzieci

Utylizacja

Należy zawsze przestrzegać przepisów krajowych dotyczących utylizacji elektronarzędzi, które nie są już funkcjonalne i nie nadają się do naprawy.

- Nie wyrzucaj elektronarzędzi lub innych odpadów elektrycznych i elektronicznych (WEEE) wraz z odpadami komunalnymi.
- Skontaktuj się z władzami lokalnymi zajmującymi się utylizacją odpadów, aby uzyskać informacje na temat prawidłowego sposobu utylizacji elektronarzędzi

Rozwiązywanie problemów

Problem	Możliwa przyczyna	Rozwiązanie
Brak reakcji po wciśnięciu przełącznika zasilania (8)	Brak zasilania	Sprawdzić źródło zasilania
	Uszkodzony przełącznik zasilania On/Off	Wymień przełącznik zasilania On/Off w autoryzowanym serwisie Triton
Niepoprawne cięcie	Ogranicznik głębokości (3) nieprawidłowo dostosowany	Upewnij się, że ogranicznik głębokości odpowiada maksymalnej wysokości cięcia dozwolonej przez (1) ograniczniki głowicy rewolwerowej
	Nieprawidłowo zamontowany bądź poluzowany frez/tuleja zaciskowa (24)	Przykręć frez/tuleję zaciskową
Frezarka nie działa	Brak zasilania	Sprawdź źródło zasilania
	Szczotki są zużyte lub przywierają	Odlącz zasilanie, otwórz osłonę szczotek (9) i upewnij się, że nie są uszkodzone bądź nadmiernie zużyte
	Usterka włącznika	Należy naprawić urządzenie w autoryzowanym centrum serwisowym Triton
	Zwarcie lub uszkodzenie obwodu komponentów silnika	
Frezarka pracuje wolno	Tępy lub uszkodzony frez	Naostrz lub wymień frez
	Regulator prędkości (10) ustawiony nisko	Zwiększ ustawienia na regulacji prędkości
	Przeciążony silnik	Zmniejsz nacisk nakładany na urządzenie
Frezarka ulega nadmiernym wibracjom	Niepoprawnie zamontowany frez	Włóż ponownie bądź dokręć frez
	Skrzywiony bądź uszkodzony frez	Wymień frez
Intensywne iskrzenie wewnątrz obudowy silnika	Szczotki poruszają się nierówno	Sprawdź szczotki węglowe i wymień w razie konieczności w autoryzowanym serwisie Triton
	Zwarcie lub otwarcie obwodu	Należy naprawić urządzenie w autoryzowanym centrum serwisowym Triton
Mikropokrętko (10) "klika" i nie ulega regulacji	Dźwignia blokady trzpienia (11) załączona	Zwolnij dźwignię blokady trzpienia
	Osiągnięto pełną wysokość regulacji	Zresetuj mikropokrętko (10) i ustaw ogranicznik głębokości (3)
Frezarka wydaje nietypowe dźwięki	Przeszkoda mechaniczna	Należy naprawić urządzenie w autoryzowanym centrum serwisowym Triton
	Zwarcie części twornika	

Gwarancja

W celu rejestracji gwarancji odwiedź naszą stronę internetową tritontools.com* i podaj odpowiednia dane.

Protokół zakupu

Data zakupu: ___ / ___ / ___

Model: **TRA001**

Należy zachować paragon jako dowód zakupu

Precyzyjne Elektronarzędzia Triton gwarantują nabywcy tego produktu pewność, iż w razie usterki bądź uszkodzenia z powodu wad materiałowych lub jakości wykonania, w ciągu 3 lat od daty zakupu, firma Triton naprawi bądź według własnego uznania bezpłatnie wymieni uszkodzoną część.

Powyższa gwarancja nie pokrywa szkód spowodowanych naturalnym zużyciem, nieprawidłowym użytkowaniem, nieprzestrzeganiem zaleceń obsługi, wypadkami lub wykorzystaniem urządzenia do celów komercyjnych.

* Zarejestruj swój produkt w ciągu 30 dni od daty zakupu.

Obowiązują zasady i warunki użytkowania.

Powyższe postanowienia nie mają wpływu na prawa ustawowe klienta.

Původní pokyny

Úvod

Děkujeme za zakoupení výrobku Triton. Tento návod obsahuje nezbytné informace pro bezpečné používání a správnou funkci tohoto výrobku. Tento výrobek nabízí mnoho jedinečných funkcí. Je možné, že jste již s podobným výrobkem pracovali; přesto si důkladně přečtěte tento návod, abyste rozuměli pokynům. Ujistěte se, že všichni, kdo s výrobkem pracují, tento návod četli a plně mu porozuměli. Uschovejte tyto pokyny spolu s výrobkem pro budoucí použití.

Použité symboly

Typový štítek na vašem nářadí může obsahovat symboly. Ty představují důležité informace o výrobku nebo pokyny k jeho použití.



Používejte chrániče sluchu
Používejte ochranné brýle
Používejte respirátory
Používejte ochrannou přilbu



Používejte ochranné rukavice



VAROVÁNÍ – Aby se snížilo riziko poranění, uživatel si musí přečíst návod k použití



Pozor!



Varování: ostré ostří nebo zuby!



Nepoužívejte při dešti nebo ve vlhkém prostředí!



Nářadí vždy vypojte z elektrické sítě, pokud provádíte úpravy, měníte příslušenství, čistíte, provádíte údržbu, a když nářadí nepoužíváte!



Vyžaduje nebo se doporučuje odsávání prachu



Třída ochrany II (dvojitá izolace pro vyšší ochranu)



Ochrana životního prostředí
Nevyhazujte elektronářadí do domovního odpadu. Zařízení odevzdejte k recyklaci v recyklačním místě. V případě dotazů kontaktujte příslušný úřad nebo prodejce.



V souladu s příslušnou legislativou a bezpečnostními standardy.

Tabulka technických zkratk

V	voltý
~	střídavý proud
A	ampér
Hz	hertz
W, kW	watt, kilowatt
min ⁻¹	(otáčky nebo vratný pohyb) za minutu

Technická data

Model č.:	TRA001
Napětí:	220 - 240 V ~ 50/60 Hz
Maximální vstupní proud:	9,1 A
Maximální výstupní výkon:	2400 W
Otáčky naprázdno:	8000 - 21,000 min ⁻¹
Kleština:	GBR/EU: 1/2" & 12 mm AUS/JAR: 1/2" & 1/4"
Maximální průměr frézy:	55 mm (50 mm pokud horní frézku používáte s TWX7RT001)
Maximální velikost kleštiny:	1/2" (RU: 12,7mm)
Nastavení hloubky frézování:	1) Volné vedení 2) Nastavení pomocí kličky 3) Mikro nastavení (jemné nastavení)
Rozsah frézování:	0-68 mm
Krytí:	IPX0
Třída ochrany:	□
Délka přívodního kabelu:	3 m
Rozměry (d x š x v):	180 x 300 x 310 mm
Hmotnost:	6,5 kg
Vzhledem k nepřetržitému vývoji výrobků se technická data našich Triton výrobků mohou měnit bez ohlášení.	
Informace o hluku a vibracích	

Akustický tlak L_{pA}:	84,2 dB(A)
Akustický výkon L_{WA}:	95,2 dB(A)
Tolerance K:	3 dB(A)
Vážené vibrace a_{hV}:	5,4 m/s ²
Tolerance K:	1,5 m/s ²
Úroveň hluku pro obsluhu může překročit 85 dB(A) a proto je třeba přijmout ochranná hluková opatření.	

VAROVÁNÍ: Pokud hladina hluku přesáhne 85 dB(A), vždy noste chrániče sluchu a omezte dobu práce s elektronářadím. Pokud jste hladinu hluku stane nepříjemnou, i s chrániči sluchu, ihned přestaňte nářadí používat. Zkontrolujte, zda máte chrániče sluchu správně umístěné, aby mohly poskytovat potřebné snížení hladiny hluku, které elektronářadí vydává.

VAROVÁNÍ: Vystavení se vibracím elektronářadím může způsobit ztrátu vnímání dotyku, necitlivost rukou, mravenčení a omezenou schopnost úchopu. Dlouhodobé vystavení vibracím může obtížně změnit v chronický stav. Pokud je třeba, omezte čas, kdy jste vibracím vystaveni a používejte anti-vibrační rukavice. Elektronářadí nepoužívejte v prostředí s nižší než běžnou příjemnou teplotou, protože vibrace mohou mít větší účinek. Využijte hodnot uvedených v technických datech, abyste určili vhodnou délku a frekvenci práce s elektronářadím.

VAROVÁNÍ: Emise vibrací během skutečného používání elektronářadí se mohou lišit od deklarované celkové hodnoty v závislosti na způsobu použití nářadí. Je potřeba určit bezpečnostní opatření na ochranu obsluhy, která jsou založena na odhadu expozice ve skutečných podmínkách použití (s přihlédnutím ke všem částem provozního cyklu, jako jsou doby, kdy je nástroj vypnutý a kdy běží naprázdno kromě doby spouštění).

Deklarovaná celková hodnota vibrací byla naměřena v souladu se standardní zkušební metodou a lze ji použít pro srovnání jednoho nářadí s druhým. Deklarovanou celkovou hodnotu vibrací lze také použít při předběžném posouzení expozice.

Úroveň hluku byla změřena podle měřících metod mezinárodních standardů. Naměřené hodnoty odpovídají běžnému užití elektronářadí v běžných pracovních podmínkách. Špatně udržované, nesprávně složené nebo špatně používané nářadí může vytvářet vyšší hladiny hluku i vibrací. www.osha.europa.eu nabízí informace o úrovni hluku a vibrací v pracovním prostředí; tyto informace mohou být užitečné pro hobby uživatele, kteří používají nářadí po dlouhou dobu.

Obecná bezpečnostní opatření pro elektronářadí

VAROVÁNÍ: Přečtěte si všechna bezpečnostní opatření, pokyny, ilustrace a specifikace dodávané s tímto elektronářadím. Nedodržení všech níže uvedených pokynů může mít za následek úraz elektrickým proudem, požár a/nebo vážné zranění.

Uchovejte všechna opatření a pokyny pro budoucí použití.

Výrazem "elektronářadí" zmiňovaným v bezpečnostních opatřeních se rozumí zařízení používané v elektrické síti (se síťovým kabelem) anebo zařízení, které využívá bateriový pohon (bez síťového kabelu).

1) Bezpečnost pracovního místa

- Udržujte pracovní místo čisté a dobře osvětlené.** Nepořádek nebo neosvětlené pracovní místo může vést k úrazům.
- Nepoužívejte elektronářadí v prostředí ohroženém explozí, kde se nacházejí hořlavé kapaliny, plyny nebo prach.** Elektronářadí vytváří jiskry, které mohou prach nebo páry zapálit.
- Při práci s elektronářadím držte děti a přihlížející mimo dosah.** Při rozptýlení můžete ztratit kontrolu nad nářadím.

2) Bezpečná práce s elektrinou

- Přípojovací zástrčka elektronářadí musí odpovídat zásuvce. Zástrčka nesmí být žádným způsobem upravována. Společně s elektronářadím s ochranným uzemněním nepoužívejte žádné adaptérové zástrčky.** Neupravené zástrčky a vhodné zásuvky snižují pravděpodobnost úrazu elektrickým proudem.
- Vyhňte se tělesnému kontaktu s uzemněnými povrchy jako je potrubí, topná tělesa, sporáky a chladničky.** Je-li vaše tělo uzemněno, hrozí zvýšené riziko úrazu elektrickým proudem.
- Chraňte zařízení před deštěm a vlhkem.** Vniknutí vody do elektronářadí zvyšuje nebezpečí úrazu elektrickým proudem.
- Dbejte na účel kabelu. Nepoužívejte jej k přenášení, tahání nebo k vytažení zástrčky ze zásuvky. Udržujte kabel daleko od tepla, oleje, ostrých hran nebo pohyblivých dílů stroje.** Poškozené nebo zamotané kabely zvyšují riziko zásahu elektrickým proudem.
- Pokud pracujete s elektronářadím venku, použijte pouze takové prodlužovací kabely, které jsou způsobilé i pro venkovní použití.** Použití prodlužovacího kabelu, jež je vhodný pro použití venku, snižuje riziko zásahu elektrickým proudem.
- Pokud se nelze vyhnout provozu elektronářadí ve vlhkém prostředí, použijte proudový chránič (RCD).** Použití proudového chrániče snižuje riziko zásahu elektrickým proudem.
- Při použití v Austrálii nebo na Novém Zélandu se doporučuje, aby byl tento nástroj VŽDY napájen prostřednictvím zařízení s proudovým chráničem (RCD) se jmenovitým zbytkovým proudem 30 mA nebo méně.**
- Použijte správný prodlužovací kabel. Ujistěte se, že je váš prodlužovací kabel v dobrém stavu. Při použití prodlužovacího kabelu se ujistěte, že používáte kabel dostatečného průměru, aby zvládl proud, který bude váš produkt odebírat.** Poddimenzovaný kabel způsobí pokles síťového napětí s následkem ztráty napájení a přehřátí.

3) Osobní bezpečnost

- Budte pozorní, dávejte pozor na to, co děláte, a přistupujte k práci s elektronářadím rozumně. Nepoužívejte žádné elektronářadí, pokud jste unaveni nebo pod vlivem drog, alkoholu nebo léků.** Moment nepozornosti při použití elektronářadí může vést k vážným poraněním.
- Používejte osobní ochranné pomůcky. Vždy noste ochranné brýle.** Nošení osobních ochranných pomůček jako je maska proti prachu, bezpečnostní obuv s protiskluzovou podrážkou, ochranná přilba nebo sluchátka ve vhodných podmínkách snižují riziko poranění.

- c) **Zabraňte neúmyslnému uvedení do provozu. Přesvědčte se, že je elektronářadí vypnuté, dříve, než jej připojíte ke zdroji napájení a/nebo baterii, než jej uchopíte nebo ponese.** Máte-li při nošení elektronářadí prst na spínači, nebo pokud stroj připojíte ke zdroji proudu zapnutý, může dojít k úrazům.
- d) **Než elektronářadí zapnete, odstraňte seřizovací nástroje nebo šroubováky.** Nástroj nebo klíč, který se nachází v otáčivém dílu stroje, může vést k poranění.
- e) **Vždy udržujte správný postoj a rovnováhu.** Tím můžete elektronářadí v neočekávaných situacích lépe kontrolovat.
- f) **Noste vhodný oděv. Nenoste žádný volný oděv nebo šperky. Vlasy a oděv udržujte daleko od pohybujících se dílů.** Volný oděv, šperky nebo dlouhé vlasy mohou být zachyceny pohybujícími se díly.
- g) **Pokud jsou k dispozici zařízení pro připojení nářadí k odsávání a sběru prachu, ujistěte se, že jsou připojena a správně používána.** Použití sběrače prachu může snížit nebezpečí související s prachem.
- h) **Nedovoďte, aby to, že s nářadím umíte zacházet, způsobilo, že se budete cítit zkušeně a budete ignorovat zásady bezpečnosti nářadí.** Neopatrné jednání může způsobit vážné poranění během zlomku sekundy.
- 4) **Používání elektronářadí a péče o něj**
- a) **Netlačte na elektronářadí násilím. Používejte správné elektronářadí pro váš projekt.** Správné elektronářadí zvládně práci lépe a bezpečněji při rychlosti, pro kterou bylo navrženo.
- b) **Nepoužívejte elektronářadí, pokud jej nelze zapnout a vypnout vypínačem.** Jakékoli elektronářadí, které nelze ovládat vypínačem, je nebezpečné a musí být opraveno.
- c) **Než provedete seřízení nářadí, výměnu dílů příslušenství nebo nářadí uložíte, vytáhněte zástrčku ze zásuvky a/nebo vyjměte baterii.** Toto preventivní opatření zabrání neúmyslnému zapnutí elektronářadí.
- d) **Uchovávejte nepoužívané elektronářadí mimo dosah dětí. Nenechte nářadí používat osobám, které s nářadím nejsou seznámeny nebo nečetly tyto pokyny.** Elektronářadí je nebezpečné, je-li používáno nezkušenými osobami.
- e) **Pečujte o elektronářadí a příslušenství svědomitě. Zkontrolujte, zda pohyblivé díly bezvadně fungují a nevzpříčují se, zda díly nejsou zlomené nebo poškozené tak, že je omezena funkce elektronářadí. Poškozené díly nechte před opětovným použitím přístroje opravit.** Mnoho úrazů má příčinu ve špatně udržovaném elektronářadí.
- f) **Řezné nástroje udržujte ostré a čisté.** Pečlivě ošetřované řezné nástroje s ostrými řeznými hranami se méně vzpříčují a snadněji se vedou.
- g) **Používejte elektronářadí, příslušenství, nasazovací nástroje apod. podle těchto pokynů. Respektujte přítom pracovní podmínky a prováděnou činnost.** Použití elektronářadí pro jiné než určené použití může vést k nebezpečným situacím.
- h) **Udržujte rukojeti a povrchy suché, čisté a bez oleje a mastnoty.** Klouzavé rukojeti a úchopy neumožňují bezpečnou manipulaci s nářadím a jeho kontrolu v nečekaných situacích.
- 5) **Servis**
- a) **Nechte vaše elektronářadí opravit kvalifikovanou osobou a pouze s identickými náhradními díly.** Tím bude zajištěno, že bezpečnost stroje zůstane zachována.

Bezpečnostní upozornění pro horní frézy



- **Nářadí držte pouze za izolované úchopné plochy, protože řezný nástroj se může dostat do kontaktu s vlastním napájecím kabelem.** Přerážnutí „živého“ kabelu může způsobit, že kovové části nářadí se také stanou „živými“ a mohou pracovníkovi způsobit úraz elektrickým proudem.
- **Použijte svěrky nebo jiný praktický způsob, jak zajistit a podepřít materiál na stabilní plošině.** Při dížení materiálu rukou nebo opřením o tělo je nestabilní a může vést ke ztrátě kontroly.
- **Pokud je třeba vyměnit přívodní kabel, udělejte tak u výrobce nebo jeho zástupce, abyste předešli bezpečnostnímu riziku.**
- **Doporučujeme, aby byl tento výrobek vždy napájen přes proudový chránič se jmenovitým zbytkovým proudem 30mA nebo méně.**
 - a) **Noste osobní ochranné pomůcky včetně ochranných brýlí nebo štítu, ochrany sluchu, masku proti prachu, bezpečnostní oblečení včetně rukavic**
 - b) **Kusy tkanin, síťové kabely, motouzy apod. by se neměly nacházet v místě práce**
 - c) **Síťové napětí musí souhlasit s údaji na typovém štítku elektronářadí**
 - d) **Ujistěte se, že používané prodlužovací kabely jsou nepoškozené a mají správné napětí, které potřebuje vaše nářadí**
 - e) **Pokud používáte prodlužovací kabel na navijecím bubnu, kabel vždy plně vymotejte – předejete tak riziku přehřátí**
 - f) **Používejte vhodné detektory, abyste prověřili, zda se pod povrchem neskrývají kabely nebo trubky.** Pokud potřebujete pomoc, kontaktujte odbornou firmu. Kontakt s elektrickým vodičem může způsobit úraz elektrickým proudem a požár. Poškození plynového potrubí může způsobit výbuch. Poškození vodovodního potrubí může vést k velkým škodám na majetku
 - g) **Než elektronářadí zapnete, odstraňte připevněné objekty jako hřebíky nebo šrouby z pracovní plochy**
 - h) **Se stopkovými frézy pracujte opatrně - mohou být velmi ostré**
 - i) **Před použitím zkontrolujte stopkové frézy, zda nejsou poškozeny nebo tupé.** Poškozené nebo tupé frézy okamžitě vyměňte
 - j) **Ujistěte se, že stopkové frézy jsou dostatečně ostré a že jsou v dobrém stavu.** Tupé hrany mohou způsobit ztrátu kontroly, větší produkci tepla a možné poranění
 - k) **VŽDY používejte při práci obě ruce a pevně uchopte nářadí před tím, než začnete s nářadím pracovat**
 - l) **Rukojeti i úchopné plochy nářadí udržujte suché, čisté a bez stop oleje nebo mastnoty, abyste mohli nářadí bezpečně držet při práci**

- m) Před tím, než začnete materiál řezat, zapněte nářadí a nechte ho krátkou chvíli běžet naprázdno. Případné vibrace mohou upozornit na špatně upevněnou stopkovou frézu
- n) **Vždy si uvědomte směr rotace frézovacího nástroje a směr frézování materiálu**
- o) **Nesahejte svými rukama do prostoru frézování a na stopkovou frézu.** Druhou ruku mějte na přidavné rukojeti nebo úchopné ploše horní frézky
- p) **NIKDY nezapínajte horní frézku, pokud je frézovací nástroj v kontaktu s frézovaným materiálem**
- q) **Ujistěte se, že pružina je vždy připevněna, pokud frézu používáte na ruční vedení**
- r) **Ujistěte se, že frézovací nástroj přestal rotovat – teprve pak můžete frézu zvednout do polohy uzamčení hřídele**
- s) **Maximální rychlost stopkové frézky musí být alespoň taková, jaká je maximální rychlost otáček nářadí**
- t) **Části stopkové frézky mohou být při práci velmi horké.** Nemanipulujte s nimi bezprostředně po použití, abyste předešli riziku popálení
- u) **Nedovolte, aby součástky přišly do kontaktu s hořlavým materiálem**
- v) **Velikost stopky frézy/vrtáku musí odpovídat přesně stejné velikosti kleštiny nasazené na fréze.** Nesprávně nasazená fréza/vrták se budou nepravdělně otáčet a mají zvýšené vibrace, které by mohly vést ke ztrátě kontroly
- w) **Dokud se fréza otáčí, NETLAČTE na zámek větene ani se nesnažte přejít s frézou do módu výměny stopkové frézky**
- x) **Při frézování udržujte trvalý kontakt s materiálem – dovolte fréze, aby si určovala rychlost frézování. NETLAČTE na nářadí a nepřetěžujte motor**
- y) **Ujistěte se, že typové štítky na nářadí a bezpečnostní varování jsou snadno čitelná; pokud dojde k jejich poškození, nechte je vyměnit**
- z) **Když s horní frézku pracujete, počítejte s možností, že dojde k uvíznutí stopkové frézky v materiálu a ztrátě kontroly nad nářadím.** Horní frézku vždy pevně držte a okamžitě uvolněte spínač, pokud taková situace nastane
- **Po spuštění horní frézky se ujistěte, že stopková fréza správně rotuje (že se „neviklá“) a že nevznikají žádné dodatečné vibrace, které by způsobovala špatně upevněná stopková fréza.** Pokud budete pracovat s nářadím se špatně uchycenou stopkovou frézou, může dojít ke ztrátě kontroly nad nářadím a vážnému poranění
 - **VELMI opatrně pracujte s frézovacími nástroji, které mají průměr větší než 50 mm.** V takovém případě pracujte s malými otáčkami anebo proveďte několik mělkých řezů za sebou, abyste nepřehřáli motor
 - **VŽDY vypněte frézu a než ji zvednete z frézovaného materiálu, počkejte, až se úplně zastaví**
 - **Frézu vždy vypojte ze sítě, pokud potřebujete upravit nastavení, provést opravu anebo údržbu zařízení**
 - **I když je toto nářadí používáno podle pokynů, není možné eliminovat všechny zbytkové rizikové faktory.** Pokud máte jakékoli pochybnosti o bezpečném používání tohoto nářadí, nepoužívejte jej

VAROVÁNÍ: Prach, který vzniká při používání elektronářadí, může být toxický. Některé materiály mohou být chemicky ošetřeny nebo s povrchovou úpravou a proto představují toxické riziko. Některé přírodní a kompozitní materiály mohou obsahovat toxické chemikálie. Některé starší barvy mohou obsahovat olovo a jiné chemikálie. Vyhněte se delšímu působení prachu, který vzniká při používání horní frézky. NEDOVOLTE, aby se prach dostal na kůži nebo do očí, a zamezte vniknutí prachu do úst, aby se zabránilo vstřebávání škodlivých chemikálií. Tam, kde je to možné, pracujte v dobře větraném prostoru. Kde je to možné, použijte vhodnou protiprachovou masku a systém pro odsávání prachu. Pokud pracujete v prostředí, kde je vyšší četnost vystavení se prachu, je o to důležitější, aby se dodržovaly všechny bezpečnostní opatření i vyšší úroveň osobní ochrany.

Popis dílů

1. Nastavitelná hloubková zarážka
2. Sklíčidlo
3. Zarážka hloubky
4. Boční ventilační otvory
5. Zámek zarážky hloubky
6. Motor
7. Odsunutelný plastový kryt spínače
8. Spínač
9. Krytka uhlíku
10. Regulace otáček
11. Zajišťovací páčka hloubky frézování
12. Bezpečnostní kryt
13. Bajonetové zajištění přidavné vodící desky
14. Bod připojení klíčky nastavení hloubky frézování
15. Port pro odsávání prachu
16. Automatický zámek hřídele
17. Spojkové kolečko otočné rukojeti
18. Přepínač spojky
19. Otočná rukojeť
20. Otočný knoflík pro jemné nastavení hloubky frézování
21. Krytka pružiny horní frézky
22. Spojení klíče k přemostění NVR
23. Doraz přidavné vodící desky
24. Upinací kleština
25. Klíčka nastavení hloubky frézování
26. Stranový klíč
27. Vodicí čep s křídlovou maticí (pro frézování kruhu)
28. Přidavná vodící deska
29. Klíč k přemostění

Schéma II

- A. ¼ UNC (4x)
- B. M6 (3x)
- C. Výřez na klíčku nastavení hloubky frézování

Doporučené použití

Rukou vedená přesná horní frézka určená pro řezání profilů, drážek, hran a podlouhlých otvorů v přírodním a kompozitním dřevě. Používá se také s vodicími pouzdry a šablonami pro řezání tvarů a sledování vzorů. Vhodná pro stacionární instalaci do Triton frézovacího stolu pro Triton Workcentre a jiných vhodných systémech frézovacích stolů.

Není určeno pro komerční použití.

Nářadí smí být používáno POUZE k určenému účelu. Jakékoli jiné použití, než je uvedeno v tomto návodu, bude považováno za případ nesprávného použití. Za jakékoli škody nebo zranění vyplývající z takových případů nesprávného použití nese odpovědnost provozovatel, nikoli výrobce. Výrobce neručí za žádné úpravy provedené na nářadí ani za škody vyplývající z takových úprav.

Vybalení vašeho nářadí

- Nářadí opatrně vybalte a zkontrolujte. Seznamte se se všemi jeho vlastnostmi a funkcemi
- Ujistěte se, že v balení byly všechny díly a že jsou v pořádku

Před použitím

VAROVÁNÍ: Ujistěte se, že nářadí je vypnuto z elektrické sítě, než budete připojovat nebo měnit příslušenství anebo provádět úpravy nastavení.

VAROVÁNÍ: Pravidelně během dlouhodobého používání nebo při přepravě nebo pádu horní frézky kontrolujte, zda je krytka pružiny horní frézky (21) správně umístěna a zajištěna na místě. Měla by sedět rovnoměrně s tělem nástroje bez viditelné mezery a zajišťovací šroub by měl být správně umístěn, aby se zabránilo náhodnému odšroubování krytky pružiny, viz obrázek O. Pružina ponoru je napnuta dostatečnou silou, aby způsobila vážné zranění, pokud je uvolněna nekontrolovaně. Při demontáži a výměně pružiny ponoru vždy pečlivě dodržujte pokyny.

Přípevnění kleštiny a stopkové frézy

Poznámka: Když přípevnujete nebo demontujete stopkové frézy, vždy noste ochranné rukavice kvůli ostrým hranám na stopkových frézách.

1. Horní frézku otočte spodní stranou nahoru na bezpečný, plochý povrch. Motor (6) musí být vypnutý a přívodní kabel vypojený ze sítě
2. Stlačte spojkové kolečko otočné rukojeti (17) a nastavte maximální hloubku zanoření tak, že budete otáčet otočnou rukojetí (19) ve směru hodinových ručiček, dokud kleština (24) nebudete vystupovat z vodicí desky (obr. B)

Poznámka: Ujistěte se, že zářážka hloubky (3) je plně zatažena (viz. část „Zářážka hloubky a nastavitelná hloubková zářážka“). Matice hřídele kleštiny by měla vyčnívat, aby se k ní mohlo klíčem snadno dostat.

3. Pomocí klíče (26) povolte kleštinu tím, že jí otočíte proti směru hodinových ručiček a vyjměte ji
4. Vybete si požadovanou kleštinu a kleštinu ve směru hodinových ručiček do sklíčidla (2) našroubujte

5. Vložte stopkovou frézu do kleštiny – ujistěte se, že alespoň 20 mm nebo polovina stopky (to, co je více) je vloženo do kleštiny. Potom použijte stranový klíč, abyste kleštinou jemně pootočili, až se stopková fréza zlehka upne. Tím uzamknete hřídel (obr. C). Poté otáčejte klíčem (21) po směru hodinových ručiček, abyste utáhli stopkovou frézu
6. Vraťte frézu do normální frézovací hloubky. Tím se odaretuje hřídel a odemkne se plastový kryt spínače, čímž se uvolní přístup ke spínači (8)

Port pro odsávání prachu

Poznámka: Triton horní frézka je vybavena portem pro odsávání prachu (15) pro odsávání třísek nad prováděným řezem. Do portu můžete připojit hadici s průměrem 38 mm, která je součástí Triton Sběrné nádoby na piliny (DCA300).

- Hadice se přišroubuje levým závitem (proti směru hodinových ručiček) – viz. obr. D

Další příslušenství pro odsávání prachu

- Pro účinné odsávání prachu je u vašeho prodejce Triton k dispozici příslušenství ve formě odsávací desky, která pokrývá celou frézovanou plochu. K této desce může být připojena jakákoliv hadice s průměrem 38 mm – viz. obr. E

Přídavná vodicí deska a připevnění dorazu

1. Najděte dva bajonety (13) a úplně je povolte. Tím umožníte, aby mohly zapadnout do otvorů v přídavné vodicí desce (28)
2. Jak přídavnou vodicí desku, tak horní frézku otočte spodní stranou nahoru
3. Stlačte bajonety směrem k přídavné vodicí desce, aby se odhalily jejich hlavičky
4. Hlavičky srovnajte tak, aby zapadly do otvorů v přídavné vodicí desce a klouzavým pohybem je zasuňte na úzký konec otvorů (obr. K)

Poznámka: Přídavnou desku můžete k frézce připevnit s přesahem nalevo nebo napravo, podle toho, kde potřebujete podporu. Pokud frézujete okraj, kratší přesah desky by měl být nad spínačem (8).

5. Bajonety pevně utáhněte, abyste přídavnou vodicí desku pevně přichytili k horní frézce
6. Pro nastavení dorazu (23) povolte aretační matice dorazu a posunujte doraz tahem za obě strany dorazu podél přídavné vodicí desky (obr. L). Požadovanou polohu dorazu uzamkněte utáhnutím aretačních matic

Poznámka: Pokud frézujete drážku, která je umístěna ve větší vzdálenosti od okraje frézovaného materiálu, nastavte doraz na vzdálenějším konci přídavné vodicí desky

Poznámka: Pokud frézujete okraj materiálu bez frézy s ložiskem, nastavte doraz blíže ke středu otvoru přídavné vodicí desky (obr. J)

Poznámka: Pokud používáte frézovací nástroj s velkým průměrem, je třeba připevnit dřevěné špalíčky na obě strany dorazu (využijte díry na šrouby), abyste zabránili kontaktu frézovacího nástroje s dorazem.

Pokyny pro použití

VAROVÁNÍ: VŽDY noste vhodné ochranné pomůcky včetně ochranných brýlí, respirátoru a chráničů sluchu, stejně jako vhodných rukavic, když s tímto nářadím pracujete.

Zapnutí a vypnutí

Poznámka: Je-li horní frézka zapojená do sítě, spínač (8) je podsvícený (jak v pozici "zapnuto", tak v pozici "vypnuto").

Poznámka: Plastový kryt spínače (7) zabraňuje neúmyslnému spuštění horní frézky. Tento kryt je třeba odsunout, aby bylo možné horní frézku pustit. Kryt zůstane zasunutý, dokud přístroj nevypnete.

1. Ujistěte se, že horní frézka je v nejvyšší možné pozici a že stopková fréza se nedostane do kontaktu s žádnými cizími objekty, když bude horní frézka spuštěna
2. Přírodní kabel zapojte do elektrické sítě a odsuňte plastový kryt spínače, abyste se dostali ke spínači
3. Zatlačte spínač do polohy „I“, abyste horní frézku spustili. Dokud je spínač v poloze zapnuto, kryt spínače není možné zasunout
4. Pro vypnutí horní frézky zatlačte spínač do polohy „0“. Kryt spínače se vrátí zpět (překryje spínač)

Variabilní rychlost otáček

Poznámka: Nastavení rychlosti frézování není přesně stanoveno – obecně platí, že byste měli používat nejvyšší možnou rychlost, při které se ještě netvoří spálené plochy. Pokud máte stopkovou frézu, kde je uvedena maximální rychlost otáček, vždy postupujte dle pokynů výrobce tohoto nástroje.

- Pokud používáte horní frézku při nižších rychlostech otáček, zvyšujete riziko poškození horní frézky v důsledku přetížení. Pokud potřebujete používat horní frézku při nižších rychlostech, frézujte v menších dávkách a/nebo provádějte více mělkých řezů za sebou
- Regulace otáček (10) má hodnoty 1 až 5, které přibližně odpovídají rychlostem otáček a průměrům fréz (viz. tabulka níže). Otáčejte kolečkem, abyste zvolili vhodnou rychlost otáček

Nastavení	Rychlost (min ⁻¹)	Průměr frézovacího nástroje
5	21000	do 25 mm
4	18000	25-50 mm
3	14500	50-65 mm
2	11000	nad 65 mm
1	8000	Používejte pouze pokud dochází k pálení frézovaného materiálu

Nastavení hloubky frézování

DŮLEŽITÉ:

POKUD NEBUDETE POSTUPOVAT DLE TĚCHTO POKYNŮ, POŠKODÍTE MECHANISMUS PONORU.

VŽDY se ujistěte, že je zajišťovací páčka hloubky frézování (11) odblokována jejím nastavením do nejvyšší polohy před úpravou hloubky řezu pomocí níže uvedených metod „Volné vedení“ nebo „Nastavení pomocí otočné rukojeti“.



Poznámka: Abyste uzamkli horní frézku v určité hloubce frézování, zatlačte na horní frézku směrem dolů a otočte zajišťovací páčku hloubky frézování (11) do nižší polohy. Tím horní frézku udržíte v určené hloubce

- Pro nastavení hloubky frézování můžete použít tři způsoby dle požadované přesnosti a kontroly nástroje:

Volné vedení

1. Volné nastavení hloubky frézování můžete provést se zamáčknutým přepínačem spojky (18). Zatlačte přepínač dovnitř rukojeti, dokud se nezacvakne (obrázek A)
2. **Uvolněte zajišťovací páčku hloubky frézování (11)** a stlačte horní frézku do požadované hloubky frézování. Zajistěte zajišťovací páčku pro uzamčení horní frézky

Nastavení pomocí otočné rukojeti

1. Hloubka frézování může být měněna otáčením otočné rukojeti (19)
2. Vymáčknete přepínač spojky (18) a zkontrolujete, zda je v jedné rovině s pomocnou rukojetí
3. Abyste pomocnou rukojet uvolnili, stlačte spojkové kolečko pomocné rukojeti (17) směrem dovnitř (obr. B)
4. **Uvolněte páčku hloubky frézování (11)** a pak otáčejte rukojet, dokud nedosáhnete požadované hloubky frézování. Spojkové kolečko pusťte a zajistěte páčku hloubky frézování

Jemné nastavení

Poznámka: Pouze pro použití v nastaveném režimu otočné rukojeti (19).

1. Uvolněte přepínač spojky (18) a **ujistěte se, že zajišťovací páčka hloubky frézování (11) je uvolněná.**

Poznámka: Pokud otáčíte otočným knoflíkem pro jemné nastavení hloubky frézování (20), když je zajišťovací páčka uzamknutá, otočný knoflík bude vydávat

2. Otáčejte knoflíkem (20) po směru hodinových ručiček, abyste dosáhli větší hloubky frézování, nebo proti směru pro snížení hloubky frézování. Nastavujte hloubku frézování, dokud nedosáhnete požadované výšky

Poznámka: Jakmile dosáhnete největší možné hloubky frézování, otočný knoflík bude klást odpor a začne cvakat.

3. Zajistěte zajišťovací páčku pro uzamčení horní frézky v požadované hloubce, především při frézování s větším záběrem

Zarážka hloubky a nastavitelná hloubková zarážka

1. Zarážka hloubky (3) a nastavitelná hloubková zarážka (1) umožňují přesné přednastavení až tří odlišných hloubek frézování
2. Povolte zámek zarážky hloubky (5) a plně vysuňte zarážku hloubky, poté utáhněte (obr. F)
3. Nastavte hloubkovou zarážku v požadované hloubce pomocí měřítka na pevné hloubkové zarážce (obr. G)

Poznámka: Pro změnu hloubkové zarážky jednoduše pootočte celou skupinou zarážek tak, aby jedna z nich byla pod zarážkou hloubky

4. Do sklíčidla (24) vložte vhodnou stopkovou frézu a nastavte hloubku frézování - dokud se špička stopkové frézy nedotkne opracovávaného materiálu
5. Pootočte nastavitelnou hloubkovou zarážkou (1) tak, aby část s měřítkem byla pod tyčkou hloubkového dorazu. Uvolněte zarážku, aby se zastavila o zarážku; pak zámek hloubkového dorazu utáhněte. Tím je hloubka ponoru frézy nastavená na nule

6. Pootočte nastavitelnou hloubkovou zarážkou tak, aby požadovaná nastavená hloubka na zarážce byla přesně pod zarážkou hloubky

Volitelné příslušenství – sada kopírovacích kroužků

Pro frézování dle předlohy jsou k dispozici různé kopírovací kroužky. Sada je k dispozici u vašeho prodejce Triton.

Frézování

Poznámka: NIKDY nepracujte s horní frézou při ručním vedení bez nějaké formy opěry. Opěru vám může například poskytnout stopková fréza s ložiskem, doraz, který je součástí této horní frézy, kopírovací kroužky nebo rovný okraj (obr. I)

1. Frézu VŽDY držte při práci pevně oběma rukama a za rukojeti, které jsou k tomu určené. Ujistěte se, že frézovaný materiál se nepohybuje. Kdekoliv je to možné, použijte svěrky
2. S frézováním počkejte, dokud motor nedosáhne plné rychlosti
3. Přiblížte stopkovou frézu k materiálu, zatímco horní frézou pomalu pohybujete. Vodicí desku držte vodorovně s povrchem materiálu
4. Pokud frézujete okraje, frézování materiálu by mělo probíhat na levé straně vzhledem ke směru frézování (obr. I). Udržujte konstantní tlak a ponechte stopkovou frézu, aby se propracovávala materiálem. Mějte na paměti, že suky a jiné vady zpomalí rychlost frézování

Poznámka: Abyste předešli „drnčení“ stopkové frézy, při vnějších řezech směrujte řez proti směru hodinových ručiček, při vnitřních řezech po směru hodinových ručiček.

Poznámka: Pokud budete s frézou pohybovat příliš rychle, můžete získat špatnou kvalitu povrchu a přehřát motor. Pokud budete s frézou pohybovat příliš pomalu, materiál se bude přehřívat.

Poznámka: Při běžném provozu stlačujete horní frézu směrem k materiálu poté, co horní frézu spustíte.

Poznámka: Nepracujte s horní frézou kluznou deskou nahoru, pokud není bezpečně uchycena ve frézovacím stole (např. značky Triton).

Frézování ve více krocích

1. Nastavitelná hloubková zarážka (1) umožňuje nastavení maximální možné hloubky frézování v takovém počtu kroků, jaký si pracovník přeje. Pro každý krok je třeba nastavit hloubku pomocí otočného kolečka na hloubkové zarážce
2. Pootočte hloubkovou zarážkou tak, aby zarážka hloubky byla přesně nad nejnižší nastavenou hloubkou frézování. Nyní můžete provést první frézování
3. Pokračujte v postupném frézování – vždy otočte hloubkovou zarážkou a přenastavte hloubku pro každý krok, dokud nedosáhnete požadované hloubky frézování

Frézování kruhu

1. Připevněte přídatnou desku (28) bez dorazu (23) k horní frézce
2. Vyšroubujte plastový vodicí čep (27) z přídatné desky a připevněte ho do středu frézovaného materiálu, např. pomocí malého hřebíku nebo vrutu jednou z děr ve vodicím čepu (obr. M). Hřebík/vrut ponechte v čepu
3. Stlačte horní frézu s připevněnou přídatnou deskou, drážku v desce nasadte na šroub, nasuňte podložku a utáhněte křídlovou matici (obr. N)

4. Horní frézku nezapínajte; opište s horní frézou kruh, abyste zkontrolovali, zda poloměr odpovídá požadovanému frézování a uchycení čepu je stabilní, příp. proveďte úpravu nastavení
5. Kruh vyfrézujte v několika krocích, při každém snížete hloubku frézování přibližně o 2 mm – obr. T. Nefrézujte celou hloubku v jednom kroku
 - Frézování v plné hloubce (přes celý materiál): pokud budete frézovat v plné hloubce, upevněte pod frézovaný materiál pomocnou desku. Vyfrézujte o něco větší kruh - až odfrézujete celý materiál, snížete průměr a vyfrézujete požadovanou velikost - ubírejte po malých kouscích v plné hloubce

Použití při upnutí do stolu

VAROVÁNÍ: Pokud používáte frézu ve frézovacím nástavci WX7RT001 k Triton pracovnímu centru, maximální možný průměr stopkové frézy je 50 mm. Je to dáno technickými parametry pracovního centra.

Poznámka: Pokud používáte frézu ve frézovacím stole, vždy postupujte dle návodu k tomuto frézovacímu stole

Poznámka: Toto nářadí je navrženo tak, aby efektivně a pohodlně pracovalo ve většině frézovacích stolů, ale nejvhodnější pro něj je frézovací stůl Triton TWX7RT001.

Poznámka: Nastavení horní frézy je velmi snadné díky využití jedinečných vlastností tohoto výrobku, jak bylo popsáno výše. Viz. „Přípevnění kleštiny a stopkové frézy“ a „Nastavení hloubky frézování“.

DŮLEŽITÉ: Pružina MUSÍ být odstraněna předtím, než horní frézku upevníte do frézovacího stolu:

1. Nastavte horní frézu tak, aby byla v nejvyšší poloze a zajistěte zajišťovací páčku hloubky frézování (11)
2. Několika otočkami povolte malý šroub umístěný vedle krytky pružiny (21) (obr. O)
3. Pomocí dlaně zatlačte směrem dolů na krytku pružiny a druhou rukou pevně uchopte krytku pružiny, abyste zabránili vystředění pružiny při uvolnění. Při zachování tlaku směrem dolů a pevného uchopení otočte krytku pružiny proti směru hodinových ručiček, abyste ji odšroubovali (obrázek P)

VAROVÁNÍ: Pružina zanoření je napnuta velkou silou, aby byl umožněn hladký ponor. Krytka pružiny a pružina po odšroubování rychle vystředí stejnou silou. Dávejte pozor, abyste nekontrolovaně neuvolnili krytku pružiny, což by mohlo způsobit zranění.

4. Opatrně dovolte krytce pružiny, aby se nadzvedla (obr. Q)
5. Odstraňte pružinu a uložte ji na bezpečné místo
6. Nasadte krytku a utáhněte šroub

VAROVÁNÍ: Při opětovném vkládání pružiny pečlivě zkontrolujte, zda je krytka správně upevněna. Měla by sedět rovnoběžně s tělem nářadí bez viditelné mezery a zajišťovací šroub by měl být správně umístěn, aby se zabránilo náhodnému odšroubování krytu pružiny.

POZNÁMKA: Ujistěte se, že jste pružinu nasadili zpět, než začnete s horní frézou pracovat při ručním vedení.

DŮLEŽITÉ: Před montáží horní frézy do frézovacího stolu se ujistěte, že je uvolněný zámek zarážky hloubky (5) a že zajišťovací páčka hloubky frézování (11) je v odjistěné poloze.

- Klíčka nastavení hloubky frézování (25) zapadá do bodu připojení klíčky nastavení hloubky frézování (14) pro rychlé a snadné nastavení výšky nad stolem, když je horní frézka upevněna do stolu.

Instalace klíče k přemostění NVR:

Horní frézka TRA001 má funkci No Voltage Release (NVR), která zabraňuje automatickému restartování motoru po přerušení napájení. Chcete-li nářadí resetovat, musíte před opětovným zapnutím vrátit spínač do polohy „vypnuto“. Tuto funkci obejdete vložením klíče k přemostění NVR (29) při použití s pracovním centrem TWX7 (s frézovacím nástavcem TWX7RT001) nebo frézovacím stolem jiného výrobce, který má vlastní NVR ochranu. Tím je umožněno ovládní funkce „zapnuto“/„vypnuto“ pomocí spínače ON/OFF na frézovacím stole.

1. Zašroubujte klíč k přemostění NVR do spojení klíče k přemostění NVR (22) a jemně rukou utáhněte (obrázek T)
2. Upevněte držák ke spodní straně pracovního centra (obrázek U)
3. Zapněte horní frézku a použijte spínač frézovacího stolu k ovládní horní frézky

⚠ VAROVÁNÍ: Klíč k přemostění NVR používejte POUZE, když je horní frézka připojena ke zdroji napájení, který je sám chráněn ochranným systémem NVR, jako je Triton pracovní centrum TWX7. VŽDY se ujistěte, že je držák připojen ke stolu horní frézky, aby nedošlo k náhodnému odstranění horní frézky bez vyjmutí klíče k přemostění.

Přístup k otvorům se závitů na vodičí desce

1. Abyste mohli horní frézku nponout do frézovacího stolu jiného výrobce nebo do stolu vaší vlastní výroby, odšroubujte 4 šrouby na vodičí desce (jak je ukázáno na obr. S) a desku odstraňte
2. Jak je vidět na schématu II, jsou k dispozici 2 sady otvorů se závitů pro šrouby. Na desce jsou čtyři ¼" UNC (unifikované palcové závitů) (A), které jsou určeny pro přichycení vodičí desky i přichycení horní frézky do stolu. Dále jsou k dispozici tři otvory s M6 závitů (B)

Poznámka: M6 závitů nejsou na dřívějších verzích horní frézky TRA001.

Příslušenství

U vašeho prodejce Triton je k dispozici řada příslušenství pro toto nářadí, včetně řady stopkových fréz. U vašeho prodejce Triton nebo na www.toolsparonline.com také naleznete náhradní díly jako jsou uhlíky, kopírovací kroužky nebo kleštiny

Údržba

⚠ VAROVÁNÍ: VŽDY odpojte přístroj ze sítě, než začnete nářadí čistit či opravovat.

Běžná kontrola

- Pravidelně kontrolujte, že všechny šrouby jsou pevně utažené
- Kontrolujte přírodní kabel před každým použitím – zda není poškozen nebo opotřeben. Výměnu síťového kabelu je oprávněno dělat autorizované servisní středisko. To se týká také prodlužovacích kabelů, které s tímto nářadím používáte

Čištění

⚠ VAROVÁNÍ: VŽDY noste ochranné pracovní pomůcky včetně ochranných brýlí a rukavic, pokud čistíte toto nářadí

- Udržujte elektronářadí vždy v čistotě. Špína a prach způsobí dřívější opotřebením součástek a zkracují životnost celého zařízení

- Tělo zařízení čistěte jemným kartáčem nebo suchým hadříkem
- Nikdy nepoužívejte agresivní prostředky k čištění plastových dílů. Pokud je čištění nedostatečné, doporučuje se použít saponát na vlhké utěrce
- Voda nesmí nikdy přijít do kontaktu s tímto nářadím
- Ujistěte se, že nářadí je před použitím dostatečně vysušeno
- Pokud je to možné, použijte čistý, stlačený proud suchého vzduchu, kterým profouknete ventilační otvory (kde je to vhodné)

Pravidelování

- V pravidelných intervalech promazávejte všechny pohybující se části vhodným lubrikantem ve spreji

Výměna uhlíků

- Během času může dojít k opotřebením uhlíků uvnitř motoru (6)
- Výrazně opotřebené uhlíky mohou způsobit ztrátu výkonu, občasně selhání nebo viditelné jiskření
- Pro výměnu uhlíků odšroubujte obě krytky uhlíku (9). Opotřebené uhlíky vyjměte (obr. R) a zkontrolujte, zda je prostor čistý. Nasadte nové uhlíky a nasadte krytky uhlíku
- Po výměně uhlíků nechte frézu běžet 2-3 minuty bez zátěže, aby se uhlíky správně usadily. Je možné, že bude třeba opakovaného použití, než se uhlíky správně usadí. Motor může jiskřit, dokud uhlíky nejsou správně usazeny
- Uhlíky si také můžete nechat vyměnit v autorizovaných servisních střediscích

Kontakt

Pro technické dotazy nebo dotazy k opravám se obraťte na linku (+44) 1935 382 222

Web: www.tritontools.com

Adresa ve Spojeném království:

Toolstream Ltd.
Boundary Way
Lufton Trading Estate
Yeovil, Somerset
BA22 8HZ, Spojené království

Adresa EU:

Toolstream B.V.
Hogeweg 39
5301 LJ Zaltbommel
Nizozemsko

Skladování

- Toto nářadí skladujte na zabezpečeném, suchém místě mimo dosah dětí

Likvidace

Při likvidaci elektronářadí, které již není funkční a nelze jej opravit, vždy dodržujte národní předpisy.

- Nevyhazujte elektronářadí, baterie ani jiné odpadní elektrické a elektronické zařízení s domovním odpadem
- Informace o správném způsobu likvidace elektronářadí a baterií vám poskytne místní úřad pro likvidaci odpadu

Řešení problémů

Problém	Možná příčina	Řešení
Po zapnutí spínače (8) se nic neděje	Nářadí není zapojeno v elektrické síti	Zkontrolujte přívod elektrické energie
	Vadný spínač	Nechejte si vyměnit spínač v autorizovaném servisním středisku
Nesprávný řezný profil	Zarážka hloubky (3) není správně nastavena	Ujistěte se, že zarážka hloubky odpovídá maximálnímu množství řezů vzhledem k hloubkové zarážce (1)
	Nesprávně přichycená nebo volná stopková fréza/kleština (24)	Utáhněte stopkovou frézu/kleštinu
Horní fréзка nepracuje	Do přístroje nejde elektrický proud	Zkontrolujte zapojení do sítě a dodávku elektřiny
	Opotřebované uhlíky	Nářadí vypojte ze sítě, odšroubujte krytky uhlíků (9) a ujistěte se, že uhlíky nejsou zničené nebo opotřebované
	Spínač nefunguje	Nechte nářadí opravit v autorizovaném servisním středisku Triton
Vadná součásti motoru nebo zkratovaný motor		
Horní fréзка pracuje pomalu	Opotřebovaná nebo zničená stopková fréza	Naostřete nebo vyměňte stopkovou frézu
	Nastavení regulace otáček (10) je na nízké hodnotě	Zvyšte otáčky
	Motor je přetížen	Snižte tlak na frézu
Vibrace jsou příliš silné	Nesprávně přichycená nebo uvolněná stopková fréza	Správně upevněte nebo utáhněte stopkovou frézu
	Opotřebovaná nebo zničená stopková fréza	Vyměňte stopkovou frézu
U motoru jsou vidět jiskry	Uhlíky se nemohou volně pohybovat	Nářadí vypojte ze sítě, vyjměte uhlíky, vyměňte je nebo vyčistěte
	Poškozený nebo opotřebovaný motor	Nechte nářadí opravit v autorizovaném servisním středisku Triton
Otočný knoflík (20) "kliká" nebo nefunguje	Zajištěná zajišťovací páčka hloubky frézování (11)	Uvolněte zajišťovací páčku hloubky frézování
	Dosáhli jste konce nastavení hloubky	Nastavte otočný knoflík a nastavte hloubku pomocí zarážky hloubky (3)
Horní fréзка vydává neobvyklý zvuk	Mechanická překážka	Nechte nářadí opravit v autorizovaném servisním středisku Triton
	Zkrat vinutí rotoru	

Záruka

Pro registraci záruky navštivte naši webovou stránku na adrese tritontools.com* a zadejte své údaje.

Záznam o nákupu

Datum nákupu: ___ / ___ / ___

Model: **TRA001**

Uschovejte si účtenku jako doklad o nákupu.

Triton Precision Power Tools zaručuje kupujícímu tohoto produktu, že pokud se některý díl projeví jako vadný v důsledku vadného materiálu nebo zpracování do 3 LET od data původního nákupu, Triton opraví nebo dle svého uvážení vymění vadný díl zdarma.

Tato záruka se nevztahuje na komerční použití ani se nevztahuje na běžné opotřebení nebo poškození v důsledku nehody, zneužití nebo nesprávného použití.

* Zaregistrujte se online do 30 dnů.

Platí smluvní podmínky.

Tím nejsou dotčena vaše zákonná práva

