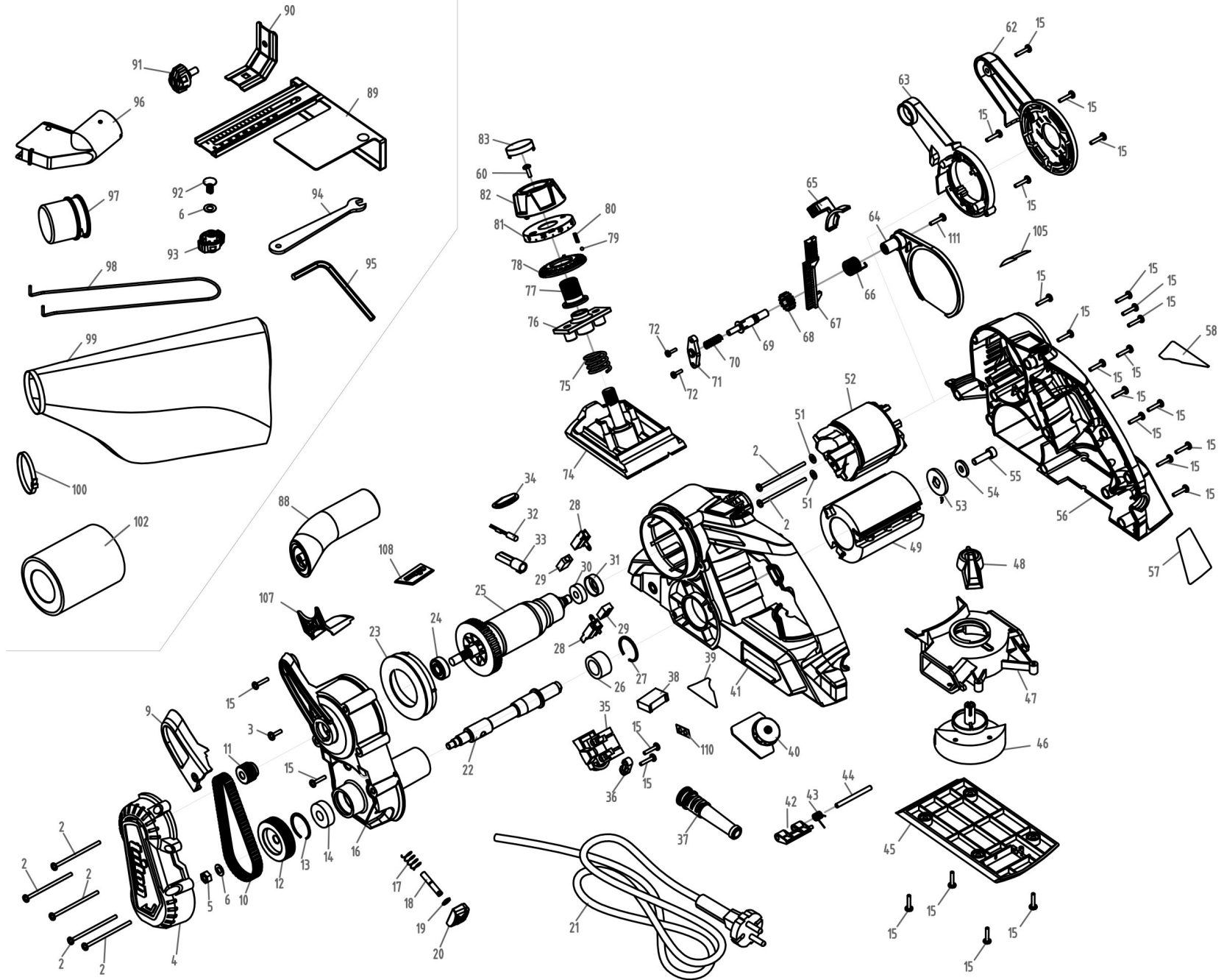




# TRPUL - Unlimited Rebate Planer





## TRPUL - Unlimited Rebate Planer

<b>No.</b>	<b>Description</b>	<b>Qty</b>
2	Screw	7
3	Screw	1
4	Triton belt cover	1
5	Nut	1
6	Washer	2
9	Left handle cover	1
10	Belt	1
11	Driving wheel	1
12	Driven wheel	1
13	Spring flange	1
14	Bearing	1
15	Screw	27
16	Bearing cover	1
17	Spring	1
18,19,20	Shaft lock set	1
21	Cable	1
22	Planer head shaft	1
23	Air deflector	1
24	Bearing	1
25	Rotor	1
26	Needle bearing	1
27	Spring flange	1
28,29	Carbon brush set	2
30	Bearing	1
31	Retainer	1
32	Ne light	1
33	Ne support	1
34	Ne cover	1
35	Switch	1
36	Cable clamp	1



## TRPUL - Unlimited Rebate Planer

<b>No.</b>	<b>Description</b>	<b>Qty</b>
37	Cable bushing	1
38	Capacitor	1
39	Label	1
40	Adjust electric circuit	1
41	Left housing	1
42,43,44	Support foot	1
45	Base plate	1
46,47,48	Reversing plate	1
49	Planer head set	1
51	Washer	2
52	Stator set	1
53	Washer	1
54	Washer	1
55	screw	1
56	Right housing	1
57	Nameplate	1
58	Label	1
60	Screw	1
62	Motor cover	1
63	Right handle	1
64	Cover Plate	1
65	Rack button	1
66	Spring	1
67	Rack	1
68	Wheel gear	1
69	Shaft	1
70	Spring	1
71	Support	1
72	Screw	4
74	Adjust plate B	1



## **TRPUL - Unlimited Rebate Planer**

<b>No.</b>	<b>Description</b>	<b>Qty</b>
75	Adjust spring	1
76	Adjust support	1
77	Regulative shaft	1
78	Ball ring	1
79	Ball	1
80	Ball spring	1
81	Dial	1
82	Cutting depth	1
83	adjuster Knob cover	1
88	Front handle	1
89	Parallel guide	1
90	Fixing frame	1
91	Knob	1
92	Screw	1
93	Knob 2	1
94	Wrench	1
95	Inner hex-spanner	1
96	Vacuum adaptor Dust	1
97	Tube	1
98	Dust bag support Dust	1
99	bag	1
100	Clip	1
102	Sander drum set	1
105	Label	1
107	Thermal baffle	1
108	Finisher Plate	1
110	Connecting link	1
111	Screw	1