

triton

**15A / 3¼hp
Fixed Base Router ½"**

TFBR001

EN **Operating & Safety Instructions**

FR Instructions d'utilisation
et consignes de sécurité

ES Instrucciones de
uso y de seguridad

PT Instruções de
Operação e Segurança

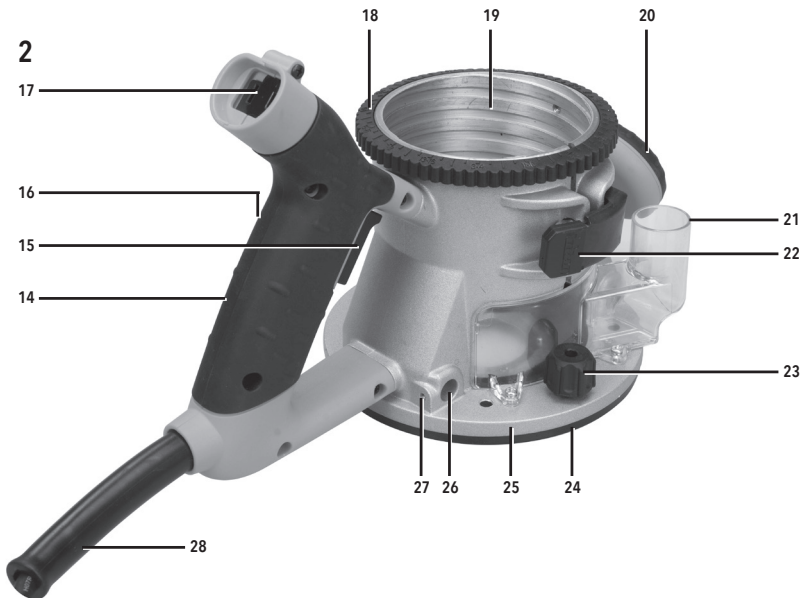
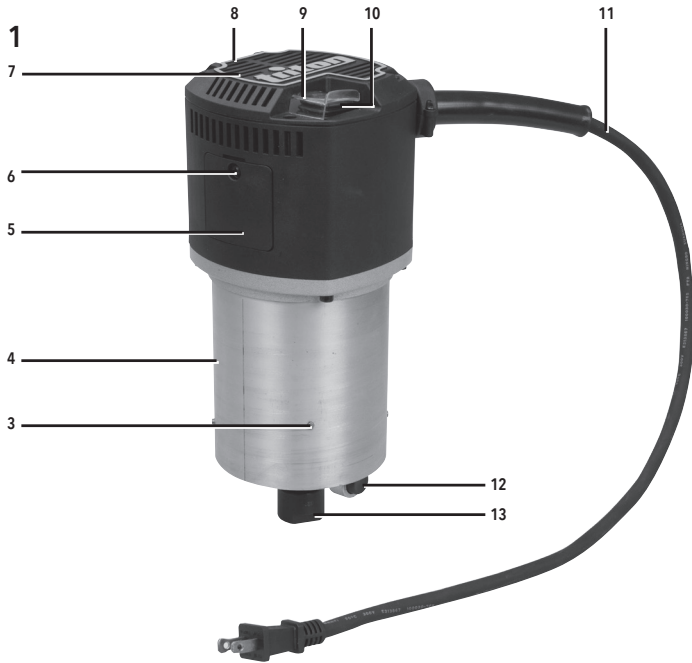


Version date: 11.04.24

Designed in Europe 

tritontools.com





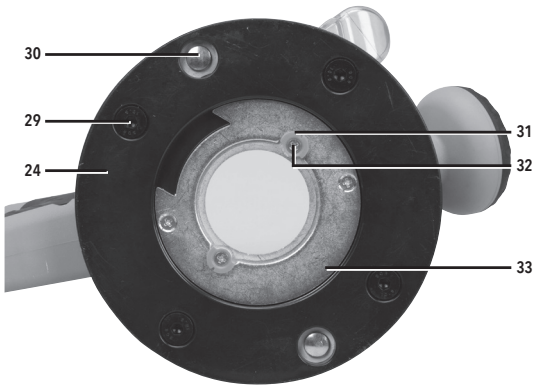


Image A

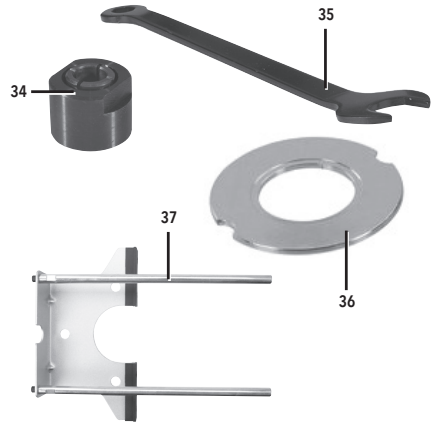
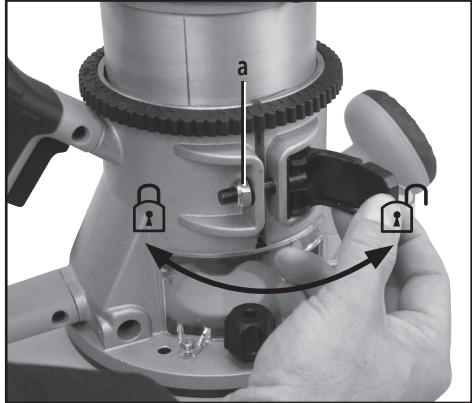


Image B



Image C

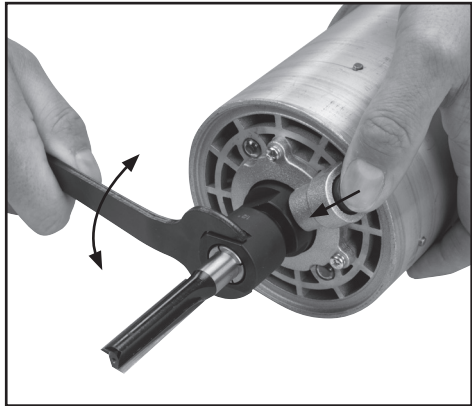


Image D



Image E



Image F

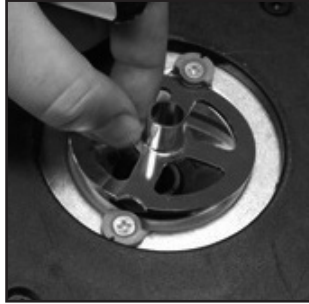
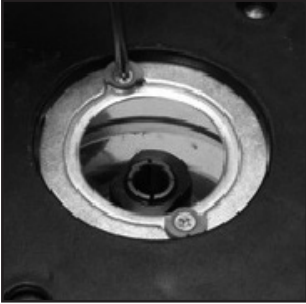


Image G

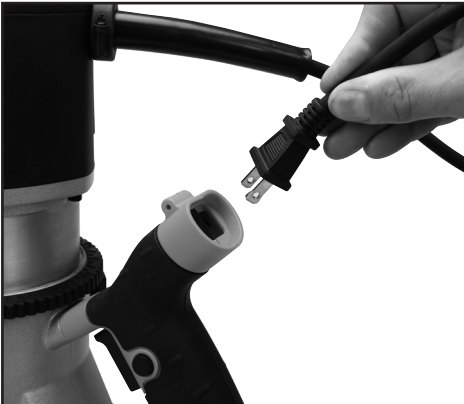


Image H



Image I



Image J



Image K

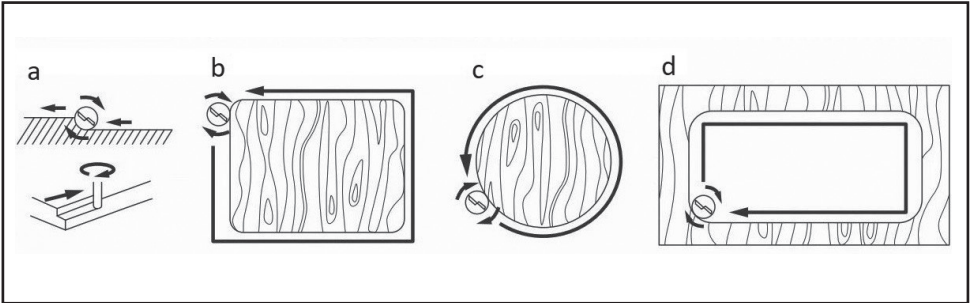


Image L

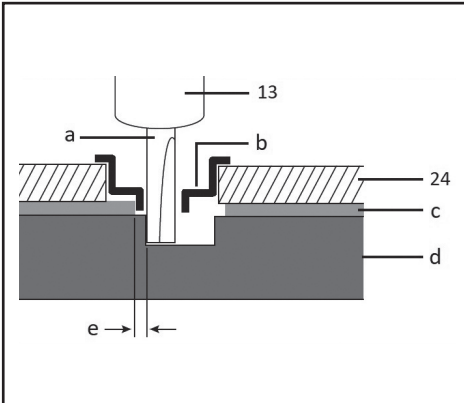


Image M



Image N

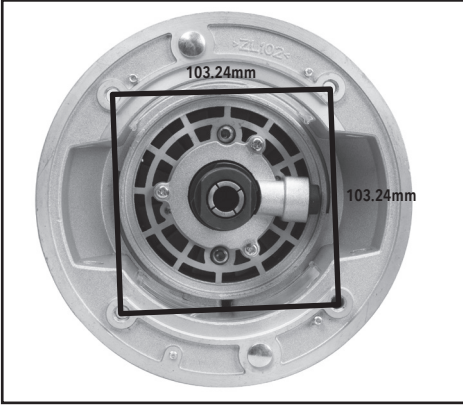


Image O



Image P

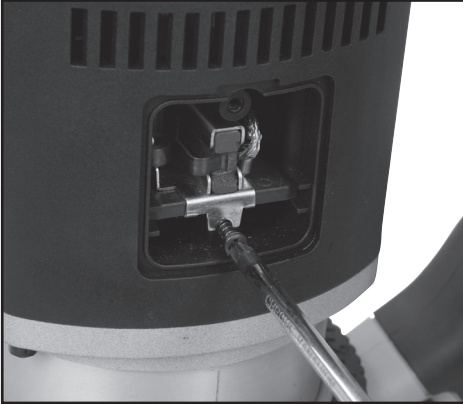


Image Q

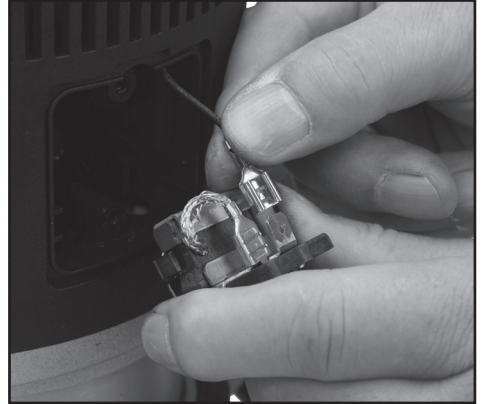
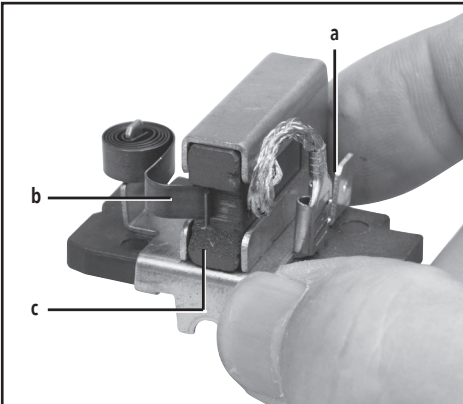


Image R



Original Instructions

Introduction

Thank you for purchasing this Triton product. This manual contains information necessary for safe and effective operation of this product. This product has unique features and, even if you are familiar with similar products, it is necessary to read this manual carefully to ensure you fully understand the instructions. Ensure all users of the product read and fully understand this manual. Keep these instructions with the product for future reference.

Description of Symbols

The rating plate on your product may show symbols. These represent important information about the product or instructions on its use.



Wear hearing protection
Wear eye protection
Wear breathing protection
Wear head protection



Wear hand protection



WARNING - To reduce the risk of injury, user must read instruction manual



DO NOT use in rain or damp environments!



Moving parts can cause crush and cut injuries.



Class II construction (double insulated for additional protection)



Environmental Protection
Waste electrical products should not be disposed of with household waste. Please recycle where facilities exist. Check with your local authority or retailer for recycling advice.



Conforms to relevant legislation and safety standards.



Caution!



Be aware of kickback!

Technical Abbreviations Key

V	Volts
~	Alternating current
A, mA	Ampere, milli-Amp
n_0	No load speed
n	Rated speed
°	Degrees
∅	Diameter
Hz	Hertz
W, kW	Watt, kilowatt
min^{-1}	Operations per minute
rpm	Revolutions per minute
dB(A)	Decibel sound level (A weighted)
m/s^2	Metres per second squared (vibration magnitude)

Specification

Model no:	TFBR001
Voltage:	120V~ 60Hz
Peak output power:	3¼hp
Max input current:	15A
No-load speed:	10,000 - 21,000 min^{-1} (rpm)
6 speed setting (1 - 6):	<ol style="list-style-type: none"> 1) 10,000min^{-1} (rpm) 2) 12,000min^{-1} (rpm) 3) 14,000min^{-1} (rpm) 4) 16,000min^{-1} (rpm) 5) 19,000min^{-1} (rpm) 6) 21,000min^{-1} (rpm)
Collets:	½" & ¼"
Max cutter diameter:	<ul style="list-style-type: none"> • 1¼" with Guide Bush Mounting Plate attached • 3" without Guide Bush Mounting Plate attached • 2" when used with TWX7RT001 router table, without Guide Bush Mounting Plate attached

Max cutter shank:	½"
Depth adjustment range:	3⅞"
Dust extraction port dimensions:	Inner: 1⅜" Outer: 1¼"
Cord length:	10'
Protection class:	☐
Ingress protection:	IPX0
Dimensions (L x W x H):	17 x 9⅞ x 11⅞"
Weight:	15lb
As part of our ongoing product development, specifications of Triton products may alter without notice.	
Sound & vibration information	
Sound pressure L_{pA}:	86.3dB(A)
Sound power L_{WA}:	97.3dB(A)
Uncertainty K:	3.0dB(A)
Weighted Vibration a_{hV}:	<2.5m/s ²

The sound intensity level for the operator may exceed 85dB(A) and sound protection measures are necessary.

⚠ WARNING: Always wear ear protection where the sound level exceeds 85dB(A) and limit the time of exposure if necessary. If sound levels are uncomfortable, even with ear protection, stop using the tool immediately and check the ear protection is correctly fitted and provides the correct level of sound attenuation for the level of sound produced by your tool.

⚠ WARNING: User exposure to tool vibration can result in loss of sense of touch, numbness, tingling and reduced ability to grip. Long term exposure can lead to a chronic condition. If necessary, limit the length of time exposed to vibration and use anti-vibration gloves. Do not operate the tool with hands below a normal comfortable temperature, as vibration will have a greater effect. Use the figures provided in the specification relating to vibration to calculate the duration and frequency of operating the tool.

⚠ WARNING: The vibration emission during actual use of the power tool can differ from the declared total value depending on the ways in which the tool is used. There is the need to identify safety measures to protect the operator that are based on an estimation of exposure in the actual conditions of use (taking account of all parts of the operating cycle such as the times when the tool is switched off and when it is running idle in addition to the trigger time).

The declared vibration total value has been measured in accordance with a standard test method and may be used for comparing one tool with another. The declared vibration total value may also be used in a preliminary assessment of exposure.

Sound levels in the specification are determined according to international standards. The figures represent normal use for the tool in normal working conditions. A poorly maintained, incorrectly assembled, or misused tool, may produce increased levels of noise and vibration. www.osha.europa.eu provides information on sound and vibration levels in the workplace that may be useful to domestic users who use tools for long periods of time.

General Power Tool Safety Warnings

⚠ WARNING: Read all safety warnings, instructions, illustrations and specifications provided with this power tool. Failure to follow all instructions listed below may result in electric shock, fire and/or serious injury.

Save all warnings and instructions for future reference.

The term "power tool" in the warnings refers to your mains-operated (corded) power tool or battery-operated (cordless) power tool.

1) Work area safety

- Keep work area clean and well lit.** Cluttered or dark areas invite accidents.
- Do not operate power tools in explosive atmospheres, such as in the presence of flammable liquids, gases or dust.** Power tools create sparks which may ignite the dust or fumes.
- Keep children and bystanders away while operating a power tool.** Distractions can cause you to lose control.

2) Electrical safety

- Power tool plugs must match the outlet. Never modify the plug in any way.** Do not use any adapter plugs with earthed (grounded) power tools. Unmodified plugs and matching outlets will reduce risk of electric shock.
- Avoid body contact with earthed or grounded surfaces, such as pipes, radiators, ranges and refrigerators.** There is an increased risk of electric shock if your body is earthed or grounded.
- Do not expose power tools to rain or wet conditions.** Water entering a power tool will increase the risk of electric shock.
- Do not abuse the cord. Never use the cord for carrying, pulling or unplugging the power tool. Keep cord away from heat, oil, sharp edges or moving parts.** Damaged or entangled cords increase the risk of electric shock.
- When operating a power tool outdoors, use an extension cord suitable for outdoor use.** Use of a cord suitable for outdoor use reduces the risk of electric shock.
- If operating a power tool in a damp location is unavoidable, use a residual current device (RCD) protected supply.** Use of an RCD reduces the risk of electric shock.
- When used in Australia or New Zealand, it is recommended that this tool is ALWAYS supplied via Residual Current Device (RCD) with a rated residual current of 30mA or less.**
- Use proper extension cord. Make sure your extension cord is in good condition. When using an extension cord, be sure to use one heavy enough to carry the current your product will draw.** An undersized cord will cause a drop in line voltage resulting in loss of power and overheating. Table A shows the correct size to use depending on cord length and nameplate ampere rating. If in doubt, use the next heavier gauge. The smaller the gauge number, the heavier the cord.

Table A						
Ampere rating		Volts	Total length of cord in feet			
		120	25	50	100	150
		240	50	100	200	300
More than	Not more than	Minimum gauge for cord				
0	6	18	16	16	14	
6	10	18	16	14	12	
10	12	16	16	14	12	
12	16	14	12	Not recommended		

3) Personal safety

- Stay alert, watch what you are doing and use common sense when operating a power tool. Do not use a power tool while you are tired or under the influence of drugs, alcohol or medication. A moment of inattention while operating power tools may result in serious personal injury.
- Use personal protective equipment. Always wear eye protection. Protective equipment such as a dust mask, non-skid safety shoes, hard hat or hearing protection used for appropriate conditions will reduce personal injuries.
- Prevent unintentional starting. Ensure the switch is in the OFF-position before connecting to power source and/or battery pack, picking up or carrying the tool. Carrying power tools with your finger on the switch or energising power tools that have the switch ON invites accidents.
- Remove any adjusting key or wrench before turning the power tool ON. A wrench or a key left attached to a rotating part of the power tool may result in personal injury.
- Do not overreach. Keep proper footing and balance at all times. This enables better control of the power tool in unexpected situations.
- Dress properly. Do not wear loose clothing or jewellery. Keep your hair and clothing away from moving parts. Loose clothes, jewellery or long hair can be caught in moving parts.
- If devices are provided for the connection of dust extraction and collection facilities, ensure these are connected and properly used. Use of dust collection can reduce dust-related hazards.
- Do not let familiarity gained from frequent use of tools allow you to become complacent and ignore tool safety principles. A careless action can cause severe injury within a fraction of a second.

4) Power tool use and care

- Do not force the power tool. Use the correct power tool for your application. The correct power tool will do the job better and safer at the rate for which it was designed.
- Do not use the power tool if the switch does not turn it ON and OFF. Any power tool that cannot be controlled with the switch is dangerous and must be repaired.
- Disconnect the plug from the power source and/or remove the battery pack, if detachable, from the power tool

before making any adjustments, changing accessories, or storing power tools. Such preventive safety measures reduce the risk of starting the power tool accidentally.

- Store idle power tools out of the reach of children and do not allow persons unfamiliar with the power tool or these instructions to operate the power tool. Power tools are dangerous in the hands of untrained users.
 - Maintain power tools and accessories. Check for misalignment or binding of moving parts, breakage of parts and any other condition that may affect the power tool's operation. If damaged, have the power tool repaired before use. Many accidents are caused by poorly maintained power tools.
 - Keep cutting tools sharp and clean. Properly maintained cutting tools with sharp cutting edges are less likely to bind and are easier to control.
 - Use the power tool, accessories and tool bits, etc. in accordance with these instructions, taking into account the working conditions and the work to be performed. Use of the power tool for operations different from those intended could result in a hazardous situation.
 - Keep handles and grasping surfaces dry, clean and free from oil and grease. Slippery handles and grasping surfaces do not allow for safe handling and control of the tool in unexpected situations.
- ### 5) Service
- Have your power tool serviced by a qualified repair person using only identical replacement parts. This will ensure that the safety of the power tool is maintained.

Additional Safety for Routers

WARNING!

- Hold the power tool by insulated gripping surfaces only, because the cutter may contact its own cord. Cutting a "live" wire may make exposed metal parts of the power tool "live" and could give the operator an electric shock.
 - Use clamps or another practical way to secure and support the workpiece to a stable platform. Holding the work by your hand or against the body leaves it unstable and may lead to loss of control.
 - If the replacement of the supply cord is necessary, this has to be done by the manufacturer or his agent in order to avoid a safety hazard.
 - It is strongly recommended that the tool always be supplied via a residual current device with a rated residual current of 30 mA or less.
- Use safety equipment including safety goggles or shield, ear protection, dust mask and protective clothing including safety gloves
 - Cloths, cord, string etc should never be left around the work area
 - Ensure the mains supply voltage is the same as the tool rating plate voltage
 - Ensure any cable extensions used with this tool are in a safe electrical condition, and have the correct ampere rating for the tool
 - Completely unwind cable drum extensions to avoid potential overheating

- f) Use appropriate detectors to determine if utility cables or pipes are below the surface of the work area. Consult utility companies for assistance if necessary. Contact with electric cables can lead to electric shock and fire. Damaging a gas pipe can lead to explosion. Contact with water lines can lead to major property damage
- g) Ensure embedded objects such as nails and screws have been removed from the workpiece before commencing operation
- h) Handle router bits with care as they can be extremely sharp
- i) Before use, check the bit carefully for signs of damage or cracks. Replace damaged or cracked bits immediately
- j) Ensure router cutters/bits are sharp and maintained correctly. Dull cutting edges can lead to uncontrolled situations including stalling, increased heat and possible injury
- k) ALWAYS use both handles and maintain a firm grip on the router before proceeding with any work
- l) Keep handles and gripping surfaces dry, clean and free of oil and grease to ensure the tool can be securely held in use
- m) Before using the tool to make a cut, switch on and let it run for a while. *Vibration could indicate an improperly installed bit*
- n) Take notice of the direction of rotation of the bit and the direction of feed
- o) Keep your hands away from the routing area and router bit cutter. *Hold the auxiliary handle or an insulated gripping surface with your second hand*
- p) NEVER start the router while the cutter is touching the workpiece
- q) Ensure the plunge spring is always fitted when using hand-held
- r) Ensure the cutter has completely stopped before plunging to the collet lock position
- s) The maximum speed of the router bit/cutter must be at least as high as the maximum speed of the power tool
- t) Parts of the router bits may become hot during operation. *Do not handle immediately after use to avoid risk of burns*
- u) Do not allow parts to come into contact with combustible materials
- v) The shank size of the router cutter/bit must be matched to the exact same size collet fitted to the router. *Incorrectly fitted router cutter/bits will rotate irregularly and have increased vibration that could lead to loss of control*
- w) DO NOT press the spindle lock button, or attempt to switch the tool into bit change mode while the router is operating
- x) Keep pressure constant while cutting into the workpiece, allowing the router bit cutter to dictate the speed of cut. *DO NOT force the tool and overload the motor*
- y) Ensure rating labels and safety warnings on the tool remain clear to read and are replaced if marked or damaged
- z) When operating the router, be prepared for the router bit cutter stalling in the workpiece and causing loss of control. *Always ensure the router is firmly held and the on/off switch is immediately released in such circumstances*

After switching on the router, check the router bit is rotating evenly (not "wobbling") and there is no additional vibration

due to the router bit being incorrectly fitted. Operating the router with an incorrectly fitted router bit can lead to loss of control and severe injury

EXTREME care must be taken when using cutters with a diameter greater than 2". Use very slow feed rates and/or multiple shallow cuts to avoid overloading the motor

- ALWAYS switch off and wait until the bit has come to a complete standstill before removing the machine from the workpiece
- Disconnect from the power supply before carrying out any adjustment, servicing or maintenance

Even when this tool is used as prescribed it is not possible to eliminate all residual risk factors. If you are in any doubt as to safe use of this tool, do not use it

⚠ WARNING: Dust generated by using power tools can be toxic. Some materials may be chemically treated or coated and be a toxic hazard. Some natural and composite materials may contain toxic chemicals. Some older paints may contain lead and other chemicals. Avoid prolonged exposure to dust generated from operating a router. DO NOT allow dust to get onto skin or eyes and do not allow the dust to enter your mouth to prevent absorption of harmful chemicals. Where possible, work in a well-ventilated area. Use a suitable dust mask and dust extraction system where possible. Where there is a higher frequency of exposure, it is more critical that all safety precautions are followed and a higher level of personal protection is used.

⚠ WARNING: Some dust created by power sanding, sawing, grinding, drilling and other construction activities contains chemicals known to the State of California to cause cancer, birth defects or other reproductive harm. Some examples of these chemicals are:

- Lead from lead-based paints
- Crystalline silica from bricks and cement and other masonry products, and
- Arsenic and chromium from chemically-treated rubber

Your risk from these exposures varies, depending on how often you do this type of work. To reduce your exposure to these chemicals: work in a well-ventilated area, and work with approved safety equipment, such as those dust masks that are specially designed to filter out microscopic particles.

Product Familiarisation

- 1) Motor Unit
- 2) Base Unit
- 3) Guide Pin x 4
- 4) Motor Drum
- 5) Brush Access Cover x 2
- 6) Brush Access Cover Screw x 2
- 7) Motor Vents
- 8) Speed Controller
- 9) Switch Safety Cover
- 10) ON/OFF Rocker Switch
- 11) Motor Unit Power Cord
- 12) Spindle Lock Button
- 13) Collet
- 14) Main Handle
- 15) Trigger Switch

- 16) Trigger Switch Lock On Button
- 17) Power Socket
- 18) Depth Gauge
- 19) Groove
- 20) Secondary Handle
- 21) Dust Extraction Port
- 22) Locking Clamp
- 23) Baseplate Mounting Knob
- 24) Baseplate
- 25) Base
- 26) Guide Fence Mounting Slot x 2
- 27) Guide Fence Mounting Knob x 2
- 28) Main Power Cord
- 29) Baseplate Screw (1/4 UNC x 4)
- 30) Baseplate Mounting Tab
- 31) Guide Bush Fixing Tab x 2
- 32) Guide Bush Mounting Plate Fixing Screw x 2
- 33) Guide Bush Mounting Plate

Accessories

Note: Not supplied with all kits

- 34) Collet (1/4")
- 35) Spanner x 2
- 36) Guide Bush Adaptor
- 37) Guide Fence

Image J

- 38) Zero Mark
- 39) Index Line

Image L

- a) Router Bit
- b) Guide Bush
- c) Template
- d) Workpiece
- e) Offset

Intended Use

Hand held, mains-powered fixed-base router used for cutting profiles, grooves and edges in natural wood, composite materials and plastics. Also used with guide bushes and templates for cutting shapes and following patterns, as well as stationary installation in the Triton Router Table for the Triton Workcentre, and other suitable table systems.

The tool is intended for use with rotary cutting bits designed to cut and shape wood. It is not suitable for use with bits designed for other uses such as grinding, sanding etc.

Not intended for commercial use.

The tool must ONLY be used for its intended purpose. Any use other than those mentioned in this manual will be considered a case of misuse. The operator, and not the manufacturer, shall be liable for any damage or injury resulting from such cases of misuse. The manufacturer shall not be liable for any modifications made to the tool, nor for any damage resulting from such modifications.

Unpacking Your Product

- Carefully unpack and inspect your product. Fully familiarise yourself with all its features and functions
- Ensure all parts of the product are present and in good condition
- If any parts are missing or damaged, have such parts replaced before attempting to use this product

Before Use

⚠ WARNING: Ensure the tool is disconnected from the power supply before attaching or changing any accessories, or making any adjustments.

IMPORTANT: Never tighten the collet without a router bit installed. Tightening an empty collet can damage the collet.

Attaching the motor to the base unit

IMPORTANT: To prevent damaging the Motor Unit Power Cord (11), ensure it is disconnected from the Power Plug (17) before attaching the Motor Unit (1) (Image B).

1. Release the Locking Clamp (22) (Image A)
2. Insert Motor Unit into the Base Unit (2), aligning the lower Guide Pin (3) with the Groove (19) in the Base Unit (Image B)
3. Rotate Motor Unit clockwise into the Base Unit until the upper Guide Pin is firmly seated in the Groove of the Base Unit
4. Firmly tighten the Locking Clamp

Note: The pressure applied by the Locking Clamp can be adjusted by using the adjustment bolt (Image A / a)

Collet & router bit installation

⚠ WARNING: Wear protective gloves when inserting and removing router bits due to the sharp edges of the cutters.

1. Ensure the router is OFF and the Switch Safety Cover (9) is closed
2. Remove the Motor Unit (1) from the Base Unit (2):
 - a. Open the Locking Clamp (22) (Image A)
 - b. Hold the Base Unit and turn the Motor Unit counter clockwise until the lower Guide Pin (3) is disengaged from the Groove (19) in the Base Unit
 - c. Remove the Motor Unit from the Base Unit
3. Place the Motor Unit on its side on a bench with the Collet (13) pointing away from you
4. Press down on the Spindle Lock Button (12) and using the Spanner (35) turn the Collet slightly to engage the spindle lock
5. Keep pressing down on the Spindle Lock Button and loosen the Collet by turning it counter clockwise until removal (Image C)
6. Select the desired Collet and install onto the threaded chuck by screwing the Collet in clockwise but do not tighten fully
7. Insert the required router cutter into the Collet, ensuring at least 20mm or half of the shaft (whichever is greater) is inserted into the Collet
8. Press down on the Spindle Lock Button and using the Spanner, turn the collet clockwise to tighten the router bit

Note: When mounted in the Triton router table, the Spindle Lock is not accessible. However, the spindle can be locked using a second spanner. See Image D

Dust extraction

The Triton Router is equipped with a Dust Extraction Port (21) for chip extraction above the cut. (See 'Specification' for port size compatibility with your dust extraction system.)

Guide Fence

Note: The Guide Fence (37) is not supplied with all kits

1. Insert the Guide Fence into the Guide Fence Mounting Slots (26) in the Base Unit (2), and secure using the Guide Fence Mounting Screw (27).

Guide bush mounting plate & guide bush installation

Note: The router is supplied with a Guide Bush Mounting Plate (33), which is compatible with all Triton guide bushes used for template routing.

Note: The router can be used normally with the Guide Bush Mounting Plate attached to the Baseplate (24). See 'Specification' for maximum cutter diameter size for use with and without the Guide Bush Mounting Plate attached.

Removing the Guide Bush Mounting Plate (Image E):

1. Invert the router to rest it on the flat Motor Vents (7) so the Baseplate (24) is facing up
 2. Unscrew the Guide Bush Mounting Plate Fixing Screws (32) x2
 3. Remove the Guide Bush Mounting Plate (33)
- ⚠ WARNING:** ALWAYS check that the Guide Bush Mounting Plate is aligned correctly. The Mounting Plate's hole must be centred in the router base for safe usage with router guide bushes and bits. Failing to align correctly could damage the router, the plate, the guide bush, the router bit and could cause serious personal injury.

Installing guide bushes (Image F):

Note: The router is not supplied with guide bushes; however, bush sets are available as optional accessories from your Triton retailer.

Note: Ensure the Guide Bush Mounting Plate (33) is installed (see above).

1. Loosen the 2 x Guide Bush Mounting Plate Fixing Screws and ensure the 2 x Guide Bush Fixing Tabs (31) are facing the outer edge of the router Base (25)
2. Align the guide bush notches with the screws and place into the indent of the Guide Bush Mounting Plate (33)
3. Rotate the Fixing Tabs to face the guide bush then tighten the Guide Bush Fixing Screws to secure the guide bush in place
4. To remove the guide bush, do the above instructions in reverse order

Porter Cable Guide Bush Adaptor

The Guide Bush Adaptor (36) is installed in the same way as a Triton Guide Bush - see "Installing guide bushes" above. The adaptor can be used to install the range of Porter Cable guide bushes.

Operation

⚠ WARNING: ALWAYS wear eye protection, adequate respiratory and hearing protection, as well as suitable gloves, when working with this tool.

Switching ON & OFF

Note: The Switch Safety Cover (9) prevents accidental starting of the router. It must be retracted before the router can be switched ON. The Switch Safety Cover will remain open until the router is switched OFF.

Note: Both the ON/OFF Rocker switch and the main Trigger Switch must both be ON to activate the motor.

When used with the base unit:

1. Ensure that the cutter will not conflict with any foreign objects when it is powered ON
2. Connect the Motor Unit Power Cord (11) to the Power Socket (17) on the Main Handle (14) of the Base Unit (2) (Image G)
3. Plug the Main Power Cord (28) to the mains electric supply
4. Slide the Switch Safety Cover (9) back to reveal the ON/OFF Rocker Switch (Image H)
5. To power ON, press the ON/OFF Rocker Switch to the 'I' position. While the ON/OFF Rocker Switch is in this position, the Switch Safety Cover will be prevented from re-covering the ON/OFF Rocker Switch
6. To power OFF, press the ON/OFF Rocker Switch to the '0' position. The Switch Safety Cover will slide back to its original position
7. To activate the motor, squeeze the Trigger Switch (15) on the Main Handle (14)
8. To lock the Trigger Switch ON, press and hold the Trigger Switch Lock On Button (16) and release the Trigger Switch. The tool will continue to run until the Trigger Switch is pressed again, which will deactivate the lock

Note: The ON/OFF Rocker Switch will light up when the Trigger Switch is activated

When used with the Triton Workcentre:

1. Ensure that the cutter will not conflict with any foreign objects when it is powered ON
2. Connect the Motor Unit Power Cord directly to the Workcentre power outlet
3. To power ON, press the ON/OFF Rocker Switch to the 'I' position. While the ON/OFF Rocker Switch is in this position, the Switch Safety Cover will be prevented from re-covering the ON/OFF Rocker Switch
4. To power OFF, press the ON/OFF Rocker Switch to the '0' position. The Switch Safety Cover will slide back to its original position
5. Use the Workcentre power switch to activate the tool

Work lights

- The router is fitted with 2 x work lights in the base of the motor unit
- The lights will turn on when the motor is activated
- There is a momentary delay after the unit is powered up before the lights activate

Variable speed control

Note: Router speed settings are not critical. Generally, the highest speed that does not cause burn marks on the workpiece should be used. Where stated, always follow the cutter manufacturer's maximum speed limitations.

- Operating at reduced speed increases the risk of damage to the router as a result of overload. Use very slow feed rates and/or multiple shallow cuts
- Bits larger than 2½" can be used when running the router at lower speeds. If the bit is between 2½" and 3", you can only use the 10,000 or 12,000 RPM speed settings. If the bit is between 3" and 3½", you can only use the 10,000 RPM speed setting.
- The Speed Controller (8) is marked 1 to 6, corresponding approximately with the standard speeds below. Rotate the Speed Controller to select the required speed (Image I)

Setting	min ⁻¹ (rpm)
6	21,000
5	19,000
4	16,000
3	14,000
2	12,000
1	10,000

Important: In low and medium speed operation, the speed is controlled to prevent the motor speed from decreasing. If you expect to hear a speed change and continue to load the motor, you could damage the motor by overheating. Reduce the depth of cut and/or slow the feed rate to prevent tool damage.

It is recommended that the speed be set prior to engaging the router bit into work. Should it be necessary to change the speed after work has begun, stop router, remove router clear of work, and adjust speed setting.

Cutting depth adjustment

1. Loosen Locking Clamp (22) (A)
 2. While holding the Base Unit (2), turn the Motor Unit (1) counter clockwise until the tip of the bit is above the bottom surface of the Baseplate (24)
 3. Set the router on a flat wood surface
 4. Turn Motor Unit clockwise until the router bit touches the wood surface
 5. Tighten Locking Clamp
 6. Rotate the Depth Gauge (18) until the Zero Mark (38) is opposite the Index Line (39) on the housing (Image J)
 7. Loosen Locking Clamp (22)
 8. Tip the router so the bit is clear of the wood surface. Turn Motor Unit (1) clockwise until the index line (39) on the motor housing reaches the desired depth indicated on the Depth Gauge
 9. Tighten Locking Clamp firmly
- Setting the index line to 1/4" on the Depth Gauge means the cutting edge of the bit is exposed 1/4" below the Base Unit
 - One complete turn of the motor is equal to 1" dept of cut

Making a cut

⚠ WARNING: The Motor Unit is not intended for hand held use, without being attached to the Base Unit. Serious injury can result from not following these instructions

Note: NEVER operate the router freehand without some form of guide. Guidance can be provided by a bearing guided router bit cutter, a straight edge, or the guides such as the Guide Fence (37) (Fence not supplied with all kits).

Note: When routing with a straight edge, calculate the position of the required cut in the workpiece by checking the distance from the centre of the cutter to the outside edge of the router base.

1. ALWAYS hold the router using both hands, on the handles provided. Ensure the workpiece will not move and use clamps wherever possible
2. Allow the motor to reach its full operating speed
3. Move the router bit cutter into the workpiece while moving the router slowly, keeping the Baseplate (24) held flat against the workpiece
4. If edge cutting, the cutting of the workpiece should be on the left side relative to the cutting direction (Image K / a-d)
5. Keep the pressure constant and allow the cutter to work steadily through the material. Be aware that knots and other variations will slow the rate of progress

Note: To avoid 'bit chatter', direct the cut anti-clockwise for external cuts (Image K / b & c) and clockwise for internal cuts (Image K / d).

Note: Moving the router too fast can result in a poor-quality finish and overheating of the motor. Moving the router too slowly can result in overheating the workpiece.

Note: Do not operate the router upside down unless securely mounted in a well-guarded router table (i.e. Triton brand).

Template & guide bush routing (Image L)

- Different template guide bushes are available for template routing
- Accessory kits are available through your local Triton retailer
- See 'Guide bush mounting plate & guide bush installation'
- Template patterns are used with a Guide Bush (Image L / b) to allow the router to carve a pattern in the workpiece and are used for consistent, repeatable shapes
- When using a template and Guide Bush, the cut on the final workpiece will differ from the space in the template, and the Offset (Image L / e) of the Guide Bush must be considered prior to cutting
- To work out the Offset, use this formula: Offset = Guide Bush outer diameter - Router Bit diameter
- Template patterns and jigs can be made out of a variety of materials such as hardboard, plywood, plastic or metal

Table-mounted operation

⚠ WARNING: When in use with the Triton Workcentre Router Table Module TWX7RT001, the maximum cutter diameter is 2". This is constrained by the TWX7RT001's specification.

Note: While this product was designed for efficient and convenient operation on most router tables, it is particularly suited for use with the Triton Router Table Module TWX7RT001.

⚠ WARNING: When used with a third-party router table, refer to the 'Specification' section of this manual for the maximum cutting diameter of the router. Refer to the instructions supplied with the router table for the maximum cutting diameter of the router table.

Note: Fitting and operating this router on a third-party router table should be carried out in accordance with the literature supplied with the router table.

Note: Router adjustments are extremely easy using the unique features described earlier in the manual. See 'Collet & router bit installation' and 'Cutting depth adjustment'.

Accessing the baseplate screw threads

1. To mount the router in a third-party router table or a table of your own construction, remove the 4 x Baseplate Screws (29) of the Baseplate (24) (Image M) and remove the Baseplate
2. The 4 x Baseplate Screw holes are ¼ UNC screw threads, used to secure the Baseplate to the Base (25) but also for table mounting if required
3. See the spacing dimensions of the Baseplate Screw holes in Image N

Accessories

- A full range of accessories - including router bits, Guide Fence collets and guide bushes - is available from your Triton stockist
- Spare parts including replacement brushes can be obtained from toolsparsonline.com

Maintenance

⚠ WARNING: ALWAYS disconnect the router from the power supply before carrying out any inspection, maintenance or cleaning.

General inspection

- Regularly check that all fixing screws are tight
- Inspect the supply cord of the tool, prior to each use, for damage or wear. Repairs should be carried out by an authorised Triton service centre. This advice also applies to extension cords used with this tool

Cleaning

⚠ WARNING: ALWAYS wear protective equipment including eye protection and gloves when cleaning this tool.

- Keep your tool clean at all times. Dirt and dust will cause internal parts to wear quickly and shorten the tool's service life
- Clean the body of your tool with a soft brush or dry cloth
- Never use caustic agents to clean plastic parts. If dry cleaning is not sufficient, a mild detergent on a damp cloth is recommended
- Water must never come into contact with the tool
- Ensure the tool is thoroughly dry before using it
- If available, use clean, dry, compressed air to blow through the ventilation holes (where applicable)

Lubrication

- This tool has been lubricated with a sufficient amount of high-grade lubricant for the life of the unit under normal operating conditions. No further lubrication is necessary

Brushes

- Over time the carbon brushes inside the motor may become worn
- Excessively worn brushes may cause loss of power, intermittent failure, or visible sparking

To replace the brushes:

1. Remove the Brush Access Cover (5) (Image O)
2. Undo the brush assemble securing Screw (Image P)
3. Slide the brush assemble part way out and remove the wiring connector (Image Q)
4. Remove the brush electrical connector (Image R / a) and move the spring to the side (Image R / b) and carefully remove the worn brushes (Image R / c)
5. Ensure the sockets are clean
6. Carefully replace with a new brush
7. Slide the brush assembly partially back into place and reconnect the electrical connectors
8. Push the assemble all the way in and secure using the screw
9. Ensure the spring is correctly located so that it applies pressure on the top of the new brush
10. Replace the Brush Access Cover
11. Repeat steps 1 – 10 for the other brush
12. After fitting both brushes, run the router without load for 2-3 minutes to help the brushes bed in

Note: The process of the brushes fully bedding in may take repeated uses. Motor sparking may continue until new carbon brushes have bedded in.

- Alternatively, have the tool serviced at an authorised service centre

Storage

- Store this tool carefully in the case provided
- Store in a secure, dry place out of the reach of children

Contact

For technical or repair service advice, please contact the helpline (toll free) on: 855-227-3478

Web: www.tritontools.com

Address:

Longleaf Distribution
85 North Street
Piedmont
AL 36272
USA

Disposal

Always adhere to national regulations when disposing of power tools that are no longer functional and are not viable for repair.

- Do not dispose of power tools, or other waste electrical and electronic equipment (WEEE), with household waste
- Contact your local waste disposal authority for information on the correct way to dispose of power tools

Troubleshooting

Problem	Possible cause	Solution
No function when ON/OFF Rocker Switch (10) is operated	No power	Check power supply
	Defective ON/OFF Rocker Switch	Replace the ON/OFF Rocker Switch at an authorised Triton service centre
Inaccurate cutting profile	Incorrectly fitted or loose router bit/Collet (13)	Tighten router bit/Collet and cutter assembly
Router will not operate	No supply of power	Check that power is available at source
	Brushes worn or sticking	Disconnect power, open Brush Access Covers (5) and ensure brushes are not damaged or heavily worn
	Switch is faulty	Have the tool serviced by an authorised Triton service centre
	Motor components faulty or short circuited	
Router runs or cuts slowly	Blunt or damaged cutter	Re-sharpen or replace cutter
	Speed Controller (8) set low	Increase variable speed setting
	Motor is overloaded	Reduce pushing force on router
Excessive vibration	Incorrectly fitted or loose router bit	Refit or tighten router bit
	Bent or damaged router bit	Replace router bit
Heavy sparking occurs inside motor housing	Brushes not moving freely	Disconnect power, remove brushes, clean or replace
	Damaged or worn motor	Have the tool serviced by an authorised Triton service centre
Makes an unusual sound	Mechanical obstruction	Have the tool serviced by an authorised Triton service centre
	Damage to internal windings	

Guarantee

To register your guarantee visit our web site at tritontools.com* and enter your details.

Purchase Record

Date of Purchase: ___/___/___

Model: TFBRO01

Retain your receipt as proof of purchase.

Triton Precision Power Tools guarantees to the purchaser of this product that if any part proves to be defective due to faulty materials or workmanship within 3 YEARS from the date of original purchase, Triton will repair, or at its discretion replace, the faulty part free of charge.

This guarantee does not apply to commercial use nor does it extend to normal wear and tear or damage as a result of accident, abuse or misuse.

* Register online within 30 days.

Terms & conditions apply.

This does not affect your statutory rights

Instructions originales

Introduction

Nous vous remercions d'avoir choisi ce produit Triton. Ces instructions contiennent les informations nécessaires au fonctionnement efficace et sûr de ce produit. Veuillez lire attentivement ce manuel pour vous assurer de tirer pleinement avantage des caractéristiques uniques de votre nouveau produit. Gardez ce manuel à portée de main et assurez-vous que tous les utilisateurs l'aient lu et bien compris avant toute utilisation. Veuillez conserver ces instructions et consignes de sécurité avec le produit pour toute référence ultérieure.

Description des symboles

La plaque signalétique figurant sur votre produit peut présenter des symboles. Ces symboles constituent des informations importantes relatives au produit ou des instructions concernant son utilisation.



Port de protections auditives
Port de protections oculaires
Port de protections respiratoires
Port du casque



Port de gants



AVERTISSEMENT : pour limiter les risques de blessures, l'utilisateur doit impérativement lire et comprendre ce manuel avant d'utiliser le produit.



NE PAS utiliser sous la pluie ou dans un environnement humide !



AVERTISSEMENT : les pièces mobiles peuvent occasionner écrasements et coupures.



Construction de classe II (double isolation pour une protection supplémentaire)

Protection de l'environnement

Les outils et appareils électriques usagés ne doivent pas être jetés avec les ordures ménagères. Veuillez les recycler dans les centres prévus à cet effet. Pour plus d'informations, veuillez contacter votre municipalité ou point de vente.



Conforme aux réglementations et aux normes de sécurité pertinentes.



Attention !



ATTENTION à l'effet de rebond !

Abréviations pour les termes techniques

V	Volt(s)
~	Courant alternatif
A, mA	Ampère(s), Milliampère(s)
n_0	Vitesse à vide
n	Vitesse nominale
°	Degré(s)
Ø	Diamètre
Hz	Hertz
W, kW	Watt(s), Kilowatt(s)
min ⁻¹	Opération(s) par minute
tr/min	Tour(s) par minute
dB(A)	Puissance acoustique en décibel (A pondéré)
m/s ²	Mètre(s) par seconde au carré (magnitude des vibrations)

Caractéristiques techniques

Modèle :	TFBR001
Tension :	120 V~, 60 Hz
Puissance de sortie (de crête) :	3,25 CV
Courant d'entrée maximum :	15 A
Vitesse à vide :	10 000 - 21 000 min ⁻¹ (tr/min)
6 réglages de vitesse (1 - 6) :	1) 10 000 min ⁻¹ (tr/min) 2) 12 000 min ⁻¹ (tr/min) 3) 14 000 min ⁻¹ (tr/min) 4) 16 000 min ⁻¹ (tr/min) 5) 19 000 min ⁻¹ (tr/min) 6) 21 000 min ⁻¹ (tr/min)
Pincés de serrage :	1/2" et 1/4"

Diamètre max. de l'accessoire :	<ul style="list-style-type: none"> • 1¾" avec bague de copiage • 3" sans bague de copiage • 2" avec table pour défonceuse TWX7RT001, sans bague de copiage
Longueur max. de la tige :	½"
Réglage de la profondeur :	3½"
Diamètre de la tubulure d'extraction des poussières :	Interne : 1½" Externe : 1¾"
Longueur du câble d'alimentation :	10'
Classe de protection :	☐
Indice de protection :	IPX0
Dimensions (L x l x H) :	17 x 9½ x 11½"
Poids :	15 livres
Du fait de l'évolution constante de notre développement produit, les caractéristiques des produits Triton peuvent changer sans notification préalable.	
Informations sur le niveau sonore et vibratoire	
Pression acoustique L _{PA} :	86,3 dB (A)
Puissance acoustique L _{WA} :	97,3 dB (A)
Incertitude K :	3,0 dB (A)
Vibration pondérée a _h :	< 2,5 m/s ²

L'intensité sonore peut dépasser 85 dB (A) et il est nécessaire que l'utilisateur prenne des mesures de protection sonore.

⚠ AVERTISSEMENT : portez toujours des protections auditives lorsque le niveau d'intensité est supérieur à 85 dB (A) et limitez le temps d'exposition si nécessaire. Si l'intensité sonore devient inconfortable, même avec les protections, arrêtez immédiatement d'utiliser l'appareil, vérifiez que les protections sont bien en places et adaptés avec le niveau sonore produit par le produit.

⚠ AVERTISSEMENT : l'exposition de l'utilisateur aux vibrations peut entraîner une perte du toucher, des engourdissements, des picotements et ainsi réduire la capacité de préhension. De longues expositions peuvent également provoquer ces symptômes de façon chronique. Si nécessaire, limitez le temps d'exposition aux vibrations et portez des gants anti-vibrations. N'utilisez pas ce produit lorsque la température de vos mains est en dessous des températures normales, car l'effet vibratoire en est accentué. Référez-vous aux "Informations relatives au niveau d'intensité sonore et vibratoire" fournies dans les "Caractéristiques techniques" pour calculer le temps et la fréquence d'utilisation du produit.

⚠ AVERTISSEMENT : l'émission de vibrations effective au cours de l'utilisation de l'appareil peut différer de la valeur totale déclarée en fonction de la manière dont l'outil est utilisé. Il sera utile d'identifier les mesures de sécurité afin de protéger l'utilisateur en fonction de l'estimation de l'exposition en conditions réelles d'utilisation (en prenant en compte toutes les phases du cycle de fonctionnement telles que les périodes où l'outil est éteint, lorsqu'il est allumé mais inactif, en plus du temps de déclenchement).

La valeur totale des vibrations déclarée a été mesurée conformément à une méthode d'essai normalisée et permet de comparer un outil à un autre. La valeur totale des vibrations déclarée peut également être utilisée lors d'une évaluation préliminaire d'exposition.

Les niveaux sonores et vibratoires indiqués dans la section "Caractéristiques techniques" du présent manuel sont déterminés en fonction de normes internationales. Ces données correspondent à un usage normal du produit, et ce dans des conditions de travail normales. Un produit mal entretenu, mal assemblé ou mal utilisé peut augmenter les niveaux sonores et vibratoires. Le site www.osha.europa.eu offre de plus amples informations sur les niveaux sonores et vibratoires sur le lieu de travail, celles-ci pourront être utiles à tout particulier utilisant des produits/ outils/appareils électriques pendant des périodes prolongées.

Consignes générales de sécurité relatives à l'utilisation d'outils et appareils électriques

⚠ AVERTISSEMENT : veuillez lire toutes les consignes de sécurité et toutes les instructions dispensées dans le présent manuel. *Le fait de ne pas suivre toutes les instructions données ci-dessous peut provoquer un choc électrique, un incendie et/ou une blessure grave.*

Veuillez conserver ces instructions et consignes de sécurité pour toute référence ultérieure.

L'expression « appareil électrique » employée dans les présentes consignes recouvre aussi bien les appareils filaires à brancher sur secteur que les appareils sans fils fonctionnant avec batterie.

1) Sécurité sur la zone de travail

- Maintenir une zone de travail propre et bien éclairée.** Des zones encombrées et mal éclairées sont sources d'accidents.
- Ne pas utiliser d'appareils électriques dans des environnements explosifs, tels qu'à proximité de liquides, de gaz ou de poussières inflammables.** Les appareils électriques produisent des étincelles susceptibles d'enflammer la poussière ou les vapeurs présentes.
- Éloignez les enfants et toute personne se trouvant à proximité pendant l'utilisation d'un appareil électrique.** Ceux-ci pourraient vous distraire et vous faire perdre la maîtrise de l'appareil.

2) Sécurité électrique

- Les prises des appareils électriques doivent correspondre aux prises du secteur. Ne modifiez jamais la fiche de quelque façon. Ne jamais utiliser d'adaptateur sur la prise électrique d'outil mis à la terre.** *Des fiches non modifiées, adaptées aux prises secteur, réduiront les risques de décharge électrique.*
- Évitez le contact corporel avec les surfaces mises à la terre telles que tuyaux, radiateurs, cuisinières et réfrigérateurs.** *Le risque de décharge électrique est plus important si votre corps est mis à la terre.*
- Ne pas exposer votre appareil électrique à la pluie ou à l'humidité.** *L'infiltration d'eau dans un appareil électrique augmentera le risque de décharge électrique.*
- Ne pas maltraiter le câble d'alimentation. N'utilisez jamais le cordon électrique pour porter, tirer ou débrancher l'appareil électrique. Conservez le cordon électrique à l'écart de la chaleur, de l'essence, de bords tranchants ou de pièces en mouvement. Un câble d'alimentation endommagé ou entortillé augmente le risque de décharge électrique.**
- Au cas où l'appareil électroportatif serait utilisé à l'extérieur, servez-vous d'une rallonge appropriée à une utilisation en extérieur.** *L'utilisation d'une rallonge adaptée permet de réduire le risque de décharge électrique.*
- Si une utilisation de l'appareil dans un environnement humide ne peut être évitée, utilisez une alimentation protégée par un disjoncteur différentiel.** *L'utilisation d'un disjoncteur différentiel réduit le risque de décharge électrique.*
- Lorsque utilisé en Australie ou en Nouvelle Zélande, il est recommandé que cet appareil soit TOUJOURS alimenté via un disjoncteur différentiel ayant un courant résiduel de 30 mA ou moins.**
- Utilisez une rallonge adaptée. Vérifiez que les rallonges électriques soient toujours en bon état. Lors de l'utilisation d'une rallonge, assurez-vous que celle-ci est adaptée au transport du courant demandé par l'appareil.** *Un câble sous-dimensionné entraînera une baisse de tension et entraînera une perte de puissance voire la surchauffe du câble. Le tableau ci-dessous indique la taille adaptée en fonction de la longueur du câble et de son ampérage. En cas de doute, utilisez un cordon d'un calibre plus élevé. Plus la valeur du calibre est petite, plus le câble est résistant.*

Table A						
Ampérage		Volt(s)		Longueur totale du câble électrique en pieds		
		120	25	50	100	150
		240	50	100	200	300
Plus de	Pas plus de	Calibre minimum du cordon				
0	6	18	16	16	14	
6	10	18	16	14	12	
10	12	16	16	14	12	
12	16	14	12	Non recommandé		

3) Sécurité des personnes

- Restez vigilant et faire preuve de bon sens lors de la manipulation de l'appareil. Ne pas utiliser d'appareil électrique en état de fatigue ou sous l'influence de drogues, d'alcool ou de médicaments.** *Un moment d'inattention pendant l'utilisation d'un appareil électrique peut se traduire par des blessures graves.*
- Portez des équipements de protection individuelle. Portez toujours des protections oculaires.** *Le port d'équipements de protection tels que des masques anti-poussières, des chaussures de sécurité antidérapantes, un casque de sécurité ou des protections anti-bruit, selon le travail à effectuer, réduira le risque de blessures.*
- Évitez tout démarrage accidentel. Veillez à ce que l'interrupteur marche-arrêt soit en position d'arrêt (Off) avant de brancher l'appareil sur l'alimentation secteur.** *Porter un appareil électrique tout en maintenant le doigt posé sur l'interrupteur ou brancher un appareil électrique dont l'interrupteur est sur la position de marche (ON) est source d'accidents.*
- Enlevez toute clé ou tout instrument de réglage avant de mettre l'appareil électrique en marche.** *Une clé ou un instrument de réglage resté fixé à un élément en rotation de l'appareil électrique peut entraîner des blessures physiques.*
- Ne pas essayer d'atteindre une zone hors de portée. Gardez une position stable afin de maintenir votre équilibre.** *Cela permet de mieux contrôler l'appareil électrique dans des situations inattendues.*
- Portez des vêtements appropriés. NE PAS porter de vêtements amples ou des bijoux pendants.** *Les vêtements amples, les bijoux pendants ou les cheveux longs peuvent être happés par les pièces en mouvement.*
- Si l'appareil est pourvu de dispositifs destinés au raccord d'équipements d'extraction et de récupération de la poussière/sciure, s'assurer qu'ils soient bien fixés et utilisés correctement.** *L'utilisation de ces dispositifs peut réduire les risques dus à la poussière.*
- Ne relâchez pas votre vigilance sous prétexte qu'un usage fréquent vous donne l'impression de vous sentir suffisamment en confiance et familier avec l'appareil et son utilisation.** *Une action inconsidérée qui ne durerait ne serait-ce qu'une fraction de seconde pourrait entraîner un accident impliquant de graves blessures.*

4) Utilisation et entretien d'appareils électriques

- Ne pas surcharger l'appareil électrique. Utilisez l'appareil électrique approprié au travail à effectuer.** *Un appareil électrique adapté et employé au rythme pour lequel il a été conçu permettra de réaliser un travail de meilleure qualité et dans de meilleures conditions de sécurité.*
- Ne pas utiliser un appareil électrique dont l'interrupteur marche-arrêt est hors service.** *Tout appareil électrique dont la commande ne s'effectue plus par l'interrupteur marche-arrêt est dangereux et doit être réparé.*
- Débranchez l'appareil électrique et/ou retirez la batterie, dans la mesure du possible, avant d'effectuer tout réglage, changement d'accessoire ou avant de le ranger.** *De telles mesures préventives réduiront les risques de démarrage accidentel.*

- d) Rangez les appareils électriques inutilisés hors de portée des enfants et ne pas permettre l'utilisation de ces appareils aux personnes novices ou n'ayant pas connaissance de ces instructions. *Les appareils électriques sont dangereux dans les mains d'utilisateurs inexpérimentés.*
 - e) Veillez à l'entretien des appareils électriques. Vérifiez que les éléments rotatifs soient bien alignés et non grippés. Vérifiez l'absence de pièces cassées ou endommagées susceptibles de nuire au bon fonctionnement de l'appareil. Si l'appareil électrique est endommagé, le faire réparer avant toute utilisation. *De nombreux accidents sont causés par l'utilisation d'appareils électriques mal entretenus.*
 - f) Gardez les appareils de coupe affûtés et propres. *Des appareils de coupe bien entretenus, aux tranchants bien affûtés, sont moins susceptibles de se gripper et sont plus faciles à contrôler.*
 - g) Utilisez l'appareil électrique, les accessoires et les appareils à monter, etc., conformément à ces instructions et selon l'utilisation prévue pour le type d'appareil donné, en tenant compte des conditions de travail et de la tâche à réaliser. *Toute utilisation de cet appareil électrique autre que celle pour laquelle il a été conçu peut entraîner des situations à risque et entraînerait une annulation de sa garantie.*
 - h) Veillez à ce que les poignées et toute surface de préhension de l'appareil soient toujours propres, sèches et exemptes d'huile et de graisse. *Une poignée ou une surface de préhension rendue glissante ne consentirait pas à l'utilisateur de conserver une parfaite maîtrise de son appareil en toutes circonstances.*
- 5) Entretien
- a) Ne faire réparer l'appareil électrique que par un réparateur qualifié utilisant uniquement des pièces de rechange identiques. *Cela permettra d'assurer la sécurité continue de cet appareil électrique.*

Consignes de sécurité supplémentaires relatives aux défonceuses

AVERTISSEMENT

- Tenez l'outil électrique par ses surfaces de préhension isolées, au cas où la fraise rentre en contact avec des câbles et fils cachés. Lorsqu'un accessoire rentre en contact avec un fil sous tension les parties métalliques de l'outil peuvent être mises sous tension et exposer l'utilisateur à un choc électrique.
- Immobilisez la pièce de travail à l'aide d'un étou ou d'une pince de serrage sur une surface stable. Maintenir la pièce de travail à la main ou contre le corps peut engendrer une perte de contrôle.
- Si le remplacement du cordon d'alimentation s'avérait nécessaire, celui-ci devrait être réalisé par le fabricant ou auprès d'un centre agréé afin d'éviter tout risque d'accident.
- Il est fortement recommandé d'alimenter l'outil à travers un disjoncteur différentiel (RCD) dont le courant résiduel nominale est de 30 mA ou moins.
- a) Portez des équipements de sécurité tels que des lunettes ou une visière, des protections auditives, un masque respiratoire et des vêtements de protection tel que des gants de sécurité.
- b) Les chiffons, cordes, ficelles etc. ne doivent jamais être laissés dans l'espace de travail.
- c) Assurez-vous que la tension de la source principale d'alimentation soit la même que celle indiquée sur la plaque signalétique de l'appareil.
- d) Assurez-vous que toutes les rallonges électriques utilisées avec l'appareil soient électriquement sûres, et qu'elles possèdent l'ampérage indiqué pour l'appareil.
- e) Déroulez complètement les rallonges de l'enrouleur pour éviter toute surchauffe.
- f) Utilisez un détecteur approprié pour déterminer si des câbles ou conduites se trouvent sous la surface de la zone de travail. Contactez les sociétés des services publiques appropriées si nécessaire. Un contact avec des câbles électriques peut engendrer des chocs électriques et des incendies. Endommager une conduite de gaz peut engendrer une explosion. Un contact avec une conduite d'eau peut provoquer des dommages matériels importants.
- g) Assurez-vous d'avoir enlevé les corps étrangers tels que les clous et les vis de la pièce de travail avant de commencer à travailler.
- h) Manipulez les fraises avec précaution car elles peuvent être extrêmement tranchantes.
- i) Avant utilisation, vérifiez avec précaution que l'embout ne soit pas endommagé ou fissuré. Remplacez immédiatement les embouts endommagés ou fissurés.
- j) Assurez-vous que les fraises/embouts sont aiguisés et entretenus correctement. Si les tranchants sont émoussés, cela peut engendrer des pertes de contrôle, le calage de l'appareil, une augmentation de la chaleur et des blessures.
- k) Utilisez TOUJOURS les deux mains et maintenez fermement la défonceuse avant de commencer tout travail.
- l) Gardez les poignées et les surfaces de préhension sèches, propres et sans huile ou graisse pour assurer une prise en main sûre de l'appareil pendant son utilisation.
- m) Avant d'utiliser l'appareil pour faire une coupe, mettez-le en marche et laissez-le fonctionner librement pendant quelques instants. Des vibrations peuvent indiquer un embout mal installé.
- n) Notez le sens de rotation de la fraise et celui du déplacement de l'outil.
- o) Gardez vos mains éloignées de la zone de défouage et de la fraise. Maintenez la poignée auxiliaire ou les surfaces de préhension isolantes avec votre deuxième main.
- p) Ne démarrez JAMAIS la défonceuse lorsque la fraise est en contact avec la pièce de travail.
- q) Assurez-vous toujours que le ressort de plongée est installé pendant l'utilisation à la main de la défonceuse.
- r) Assurez-vous que la fraise est complètement arrêtée avant de plonger vers la position de verrouillage de la pince.
- s) La vitesse maximale de la fraise/l'embout doit être au moins aussi élevée que celle de l'appareil.
- t) Des parties de la fraise peuvent devenir extrêmement chaudes pendant l'utilisation. Ne manipulez pas immédiatement après l'utilisation pour éviter le risque de brûlure.
- u) Ne laissez aucune pièce venir en contact avec des matériaux combustibles

- v) **La taille de la tige de la fraise/l'embout doit être exactement de la même taille de la pince de serrage installée sur la défonceuse.** Une fraise/un embout incorrectement installé(e) aura un mouvement de rotation irrégulier et augmentera les vibrations, cela peut engendrer une perte de contrôle.
- w) **N'essayez JAMAIS d'appuyer sur le bouton de bocage de l'arbre ou de mettre l'appareil en mode de changement d'embout lorsque l'appareil est en marche.**
- x) **Gardez une pression constante lors d'une coupe dans la pièce de travail, en laissant la fraise décider de la vitesse de coupe.** Ne forcez pas sur l'appareil, et ne surchargez pas le moteur.
- y) **Assurez-vous que les étiquettes et les avertissements de sécurité sur l'appareil restent lisibles et remplacez-les s'ils sont endommagés ou abîmés.**
- z) **Lorsque vous utilisez la défonceuse, restez sur vos gardes ; la fraise pourrait caler, entraînant une perte de contrôle.** Assurez-vous toujours de bien maintenir la défonceuse. Dans de telles circonstances, soyez prêt à relâcher l'interrupteur de marche/arrêt immédiatement.
 - **Après avoir éteint la défonceuse, vérifiez que la fraise a un mouvement de rotation régulier (non vacillant) et qu'il n'y a pas de vibrations supplémentaires dues à une fraise mal installée.** Faire fonctionner la défonceuse avec une fraise mal installée peut engendrer une perte de contrôle et des blessures graves.
 - **Une extrême précaution est requise lorsque vous utilisez des fraises d'un diamètre supérieur à 50 mm (2").** Faites descendre la fraise lentement et/ou faites de multiples fraisages peu profonds pour éviter la surcharge du moteur.
 - **Éteignez TOUJOURS l'appareil et attendez que l'embout soit complètement arrêté avant de le retirer de la pièce de travail.**
 - **Débranchez l'appareil de sa source d'alimentation avant d'effectuer un réglage, l'entretien ou la révision.**
 - **Même lorsque l'outil est utilisé comme indiqué, il est impossible d'éliminer tous les facteurs de risque résiduels.** Si vous avez des doutes quant à la manière sûre et correcte d'utiliser cet outil, ne l'utilisez pas.

⚠ AVERTISSEMENT : les poussières générées par des outils électroportatifs peuvent être toxiques. Certains matériaux peuvent être traités chimiquement ou avoir un revêtement, et présenter un risque toxique. Certains matériaux naturels ou composites peuvent contenir des produits chimiques toxiques. Certaines peintures anciennes peuvent contenir du plomb et d'autres produits chimiques. Évitez les longues expositions à la poussière créée par l'utilisation de la défonceuse. **NE laissez PAS la poussière se poser sur la peau ou les yeux, et ne laissez pas la poussière rentrer dans la bouche pour éviter l'absorption de produits chimiques nocifs.** Si possible, travaillez dans un endroit bien ventilé. Utilisez un masque respiratoire et un système d'extraction de la poussière adéquats. Là où il y a une plus grande fréquence d'exposition, il est encore plus important que toutes les précautions de sécurité soient respectées et que des protections personnelles d'un niveau supérieur soient utilisées.

⚠ AVERTISSEMENT !

Certaines poussières générées par le ponçage, sciage, le perçage et d'autres activités de constructions électriques contiennent des substances chimiques reconnues dans l'État de la Californie comme étant une cause de cancer, de malformations congénitales et d'autres problèmes reproductifs. Des exemples de ces substances chimiques sont :

- Le plomb, provenant des peintures à base de plomb.
- La silice cristalline, provenant des briques, du ciment et d'autre matériaux de construction.
- L'arsenic et le chrome, provenant des caoutchoucs traités chimiquement.

Les risques résultant de ces expositions varient en fonction de la fréquence à laquelle vous effectuez ce type de travaux. Pour réduire l'exposition à ces substances chimiques, travaillez dans une zone ventilée et portez un équipement adapté, comme un masque à poussière conçu spécialement pour filtrer les particules microscopiques.

Descriptif du produit

1. Unité moteur
2. Unité embase
3. Goupilles du guide (x 4)
4. Tambour du moteur
5. Caches d'accès aux balais de charbon (x 2)
6. Vis des caches d'accès aux balais de charbon (x 2)
7. Événements moteur
8. Variateur de vitesse
9. Cache de sécurité de l'interrupteur à bascule ON/OFF
10. Interrupteur à bascule ON/OFF
11. Câble d'alimentation de l'unité moteur
12. Bouton de verrouillage de l'arbre
13. Pince de serrage
14. Poignée principale
15. Gâchette marche/arrêt
16. Bouton de marche continue de la gâchette
17. Prise pour câble d'alimentation
18. Jauge de profondeur
19. Rainure
20. Poignée auxiliaire
21. Tubulure d'extraction des poussières
22. Dispositif de serrage
23. Bouton de montage de la semelle
24. Semelle
25. Embase
26. Rainures de montage du guide parallèle (x 2)
27. Boutons de montage du guide parallèle (x 2)
28. Câble d'alimentation principal
29. Vis de la semelle (4 x ¼ UNC)
30. Languette de montage de la semelle
31. Languettes de verrouillage de la bague de copiage (x 2)
32. Vis de verrouillage de la plaque de montage de la bague de copiage (x 2)
33. Plaque de montage de la bague de copiage

Accessoires

Remarque : les accessoires fournis peuvent varier en fonction du kit.

34. Pince de serrage pour défonceuse ¼"
35. Clés (x 2)
36. Adaptateur pour bague de copiage
37. Guide parallèle

Image J

38. Marquage à zéro
39. Ligne repère

Image L

- a) Fraise
- b) Bague de copiage
- c) Gabarit
- d) Pièce de travail
- e) Décalage

Usage conforme

Défonceuse portative (alimentation secteur) avec embase fixe, conçue pour la découpe de profils, rainures et bordures dans le bois naturel et composite, ainsi que dans le plastique. Peut également être utilisée avec des bagues de copiage et gabarits pour la découpe de formes, le suivi de modèles. La défonceuse peut être utilisée en installation stationnaire sur le module table pour défonceuse du Workcentre Triton, et tout autre système compatible.

L'outil est conçu pour être utilisé avec des accessoires de coupe rotatifs, ceux-ci conçus pour la coupe dans le bois. Il n'est pas conçu pour d'autres usages tels que le meulage, le ponçage, etc.

L'outil n'est pas indiqué pour un usage commercial.

L'outil doit UNIQUEMENT être utilisé dans son but prescrit. Toute autre utilisation que celle indiquée dans le présent manuel sera considérée impropre. Tout dommage et toute lésion provenant d'une quelconque utilisation impropre de l'outil relèvera de la responsabilité de l'utilisateur et non du fabricant. Le fabricant ne peut être tenu responsable d'aucune modification apportée à l'outil ni d'aucun dommage résultant d'une telle modification.

Déballage

- Déballer le produit avec soin. Veillez à retirer tout le matériau d'emballage et familiarisez-vous avec toutes les caractéristiques du produit.
- Vérifiez que toutes les parties du produit sont présentes et en bon état.
- Si des pièces sont endommagées ou manquantes, faites-les réparer ou remplacer avant d'utiliser l'appareil.

Avant utilisation

⚠ AVERTISSEMENT : assurez-vous que l'outil soit déconnecté de la source d'alimentation avant toutes opérations d'entretien ou de changement d'accessoires.

IMPORTANT : ne pas serrer l'écrou de la pince lorsque qu'aucun accessoire n'est inséré. Cela peut déformer et endommager la pince.

Installation du moteur sur l'unité embase

IMPORTANT : pour éviter d'endommager le câble d'alimentation de l'unité moteur (11), assurez-vous qu'il est débranché de la prise pour câble d'alimentation (17) avant de fixer l'unité moteur (1) (Image B).

1. Relâchez le dispositif de serrage (22) (Image A).
2. Insérez l'unité moteur sur l'unité embase (2), en veillant à aligner la goupille inférieure du guide (3) avec la rainure (19) de l'unité embase (Image B).
3. Pivotez l'unité moteur dans le sens horaire à l'intérieur de l'unité embase jusqu'à ce que la goupille supérieure du guide se positionne dans la rainure de l'unité embase.
4. Resserrez le dispositif de serrage.

Remarque : la pression appliquée sur le dispositif de serrage peut être ajustée en utilisant le boulon d'ajustement (Image A / a).

Installation de la fraise et de la pince

⚠ AVERTISSEMENT : portez toujours des gants de protection lors de l'insertion, le retrait et la manipulation d'une fraise - les arrêtes de la fraise sont extrêmement tranchantes.

1. Veillez à ce que la défonceuse soit à l'arrêt et que le cache de sécurité de l'interrupteur à bascule ON/OFF (9) soit fermé.
2. Retrait de l'unité moteur (1) hors de l'unité embase (2) :
 - a. Ouvrez le dispositif de serrage (22) (Image A).
 - b. Maintenez l'unité embase et pivotez l'unité moteur dans le sens antihoraire jusqu'à ce que la goupille inférieure du guide (3) se désenclenche hors de la rainure (19) de l'unité embase.
 - c. Retirez l'unité moteur hors de l'unité embase.
3. Positionnez l'unité moteur sur son côté, sur une surface plane, avec la pince de serrage (13) orientée vers le côté opposé à vous.
4. Maintenez enfoncé le bouton de verrouillage de l'arbre (12) et, à l'aide de la clé (35), faites légèrement tourner la pince de serrage pour enclencher le verrouillage de l'arbre.
5. Gardez le bouton de verrouillage enfoncé, et relâchez la pince en la tournant dans le sens antihoraire jusqu'à pouvoir la retirer (Image C).
6. Sélectionnez la pince souhaitée et installée la sur le mandrin fileté en la tournant dans le sens horaire, mais ne serrez pas complètement.
7. Insérez la fraise requise dans la pince, en veillant à ce qu'au moins 20 mm ou la moitié de la tige (selon la valeur la plus élevée) soit insérée dans la pince.
8. Appuyez sur le bouton de verrouillage de l'arbre et, à l'aide de la clé, faites tourner la pince de serrage pour verrouiller la fraise.

Remarque : lorsque la défonceuse est installée sur la table de défonceuse Triton, le verrouillage de l'arbre n'est pas accessible. Cependant, l'arbre peut être verrouillé à l'aide d'une deuxième clé. Voir Image D.

Extraction des poussières

La défonceuse Triton est équipée d'une tubulure d'extraction des poussières (21) pour une extraction au-dessus de la zone de coupe. (Consultez la section "Caractéristiques techniques" quant à la compatibilité de la tubulure avec votre système d'extraction des poussières).

Guide parallèle

Remarque : le guide parallèle (37) n'est pas fourni avec tous les kits.

1. Insérez le guide parallèle dans les rainures de montage du guide parallèle (26) de l'unité embase (2), et verrouillez celui-ci à l'aide des boutons de montage du guide parallèle (27).

Installation de la plaque de montage et de la bague de copiage

Remarque : la défonceuse est fournie avec une plaque de montage de la bague de copiage (33), compatible avec les bagues de copiage Triton utilisées pour le fraisage par copiage.

Remarque : la défonceuse peut être utilisée normalement avec la plaque de montage de la bague de copiage installée sur la semelle (24). Consultez les 'Caractéristiques techniques' quant au diamètre maximal compatible à un usage avec et sans la plaque de montage de la bague de copiage.

Retrait de la plaque de montage de la bague de copiage (Image E) :

1. Retournez la défonceuse et reposez-la sur les événements moteur (7) de manière à ce que la semelle (24) soit orientée vers le haut.
2. Dévissez les 2 x vis de verrouillage de la plaque de montage de la bague de copiage (32).
3. Retirez la plaque de montage de la bague de copiage (33).

⚠ AVERTISSEMENT : veillez TOUJOURS à ce que la plaque de montage de la bague de copiage soit alignée correctement. Le trou de la plaque de montage doit être centré sur l'embase de la défonceuse afin de garantir l'usage en toute sécurité des fraises et des bagues de copiage. Le non-respect de cette consigne peut endommager la défonceuse, la plaque de montage, la bague de copiage, la fraise et peut entraîner des blessures graves.

Installation d'une bague de copiage (Image F) :

Remarque : la défonceuse n'est pas fournie avec des bagues de copiage ; cependant, des bagues de copiage et autres accessoires peuvent être obtenus auprès de votre revendeur Triton.

Remarque : veillez à ce que la plaque de montage de la bague de copiage (33) soit installée (voir ci-dessus).

1. Relâchez les 2 x vis de verrouillage de la plaque de montage de la bague de copiage et veillez à ce que les 2 x languettes de verrouillage de la bague de copiage (31) soient orientées vers le bord externe de l'embase (25).
2. Alignez les crans de la bague de copiage avec les vis puis positionnez celle-ci dans la rainure de la plaque de montage de la bague de copiage (33).
3. Tournez les languettes de verrouillage vers la bague de copiage puis serrez les vis afin de verrouiller le positionnement de la bague.
4. Pour retirer la bague de copiage, suivez les instructions ci-dessus dans le sens inverse.

Adaptateur pour bague de copiage Porter Cable

L'adaptateur pour bague de copiage (36) est installé de la même manière qu'une bague de copiage Triton - voir "Installation d'une bague de copiage" ci-dessus. L'adaptateur peut être utilisé pour installer les bagues de copiage de la gamme Porter Cable.

Instructions d'utilisation

⚠ AVERTISSEMENT : portez TOUJOURS des équipements de protection individuelle tels que des lunettes de protection, des protections auditives et des gants adaptés lorsque vous travaillez avec cet outil.

Mise en marche/arrêt

Remarque : le cache de sécurité de l'interrupteur à bascule ON/OFF (9) permet d'éviter tout démarrage accidentel de la défonceuse. Celui-ci doit être relevé afin de pouvoir mettre la défonceuse en marche. Le cache de sécurité restera en position ouverte jusqu'à ce que la défonceuse s'arrête.

Remarque : l'interrupteur à bascule ON/OFF et la gâchette marche/arrêt doivent tous les deux être en position "allumé" afin de démarrer le moteur.

Lorsque utilisé avec l'unité embase :

1. Veillez à ce que la fraise ne puisse entrer en contact avec tout objet étranger avant de mettre la défonceuse en marche.
2. Branchez le câble d'alimentation de l'unité moteur (11) sur la prise pour câble d'alimentation (14) de l'unité embase (2) (Image G).
3. Branchez le câble d'alimentation principal (28) sur l'alimentation électrique secteur.
4. Glissez le cache de sécurité de l'interrupteur à bascule ON/OFF (9) afin d'accéder à l'interrupteur (Image H).
5. Pour mettre la défonceuse en marche (ON), positionnez l'interrupteur à bascule ON/OFF sur la position 'I'. Lorsque l'interrupteur à bascule ON/OFF est sur cette position, le cache de sécurité reste en position ouverte.
6. Pour éteindre la défonceuse (OFF), positionnez l'interrupteur à bascule ON/OFF sur la position 'O'. Le cache de sécurité retournera alors sur sa position d'origine.
7. Pour activer le moteur, appuyez sur la gâchette marche/arrêt (15) de la poignée principale (14).
8. Pour verrouiller la gâchette en position 'allumée', appuyez et maintenez enfoncé le bouton de marche continue de la gâchette (16) puis relâchez la gâchette. L'outil continuera de fonctionner jusqu'à ce que la gâchette soit à nouveau appuyée, cela permettant de désengager le verrouillage de la gâchette.

Remarque : l'interrupteur à bascule ON/OFF s'allumera lorsque la gâchette marche/arrêt est activée.

Lorsque utilisée avec un Workcentre Triton :

1. Veillez à ce que la fraise ne puisse entrer en contact avec tout objet étranger avant de mettre la défonceuse en marche.
2. Branchez le câble d'alimentation de l'unité moteur directement sur la prise du Workcentre.
3. Pour mettre la défonceuse en marche (ON), positionnez l'interrupteur à bascule ON/OFF sur la position 'I'. Lorsque l'interrupteur à bascule ON/OFF est sur cette position, le cache de sécurité reste en position ouverte.
4. Pour éteindre la défonceuse (OFF), positionnez l'interrupteur à bascule ON/OFF sur la position 'O'. Le cache de sécurité retournera alors sur sa position d'origine.
5. Utilisez l'interrupteur du Workcentre pour mettre l'outil en marche.

Lumières de travail

- La défonceuse est équipée de deux lumières de travail au niveau de l'embase de l'unité moteur.
- Ces lumières s'allumeront lorsque le moteur est en marche.
- Il existe cependant un délai momentané entre la mise sous tension de l'unité et l'allumage des lumières.

Contrôle de la vitesse

Remarque : les réglages de vitesse ne sont pas décisifs. En général, la vitesse la plus élevée mais ne causant pas de traces de brûlure sur la pièce de travail, est la plus adaptée. Respectez toujours la vitesse maximale de l'accessoire indiquée par le fabricant de l'accessoire (si indiquée).

- Une utilisation à vitesse réduite augmente le risque de surcharge et peut ainsi endommager la défonceuse. Effectuez des déplacements lents avec la défonceuse et/ou un fraisage à plusieurs étapes.
- Les accessoires plus larges que 2 1/2" peuvent être utilisés lorsque la défonceuse fonctionne à vitesse faible. Si la taille de l'accessoire est comprise entre 2 1/2" et 3", seuls les réglages de vitesse à 10 000 et 12 000 tours par minute peuvent être utilisés. Si la taille de l'accessoire est comprise entre 3" et 3 1/2", seul le réglage de vitesse à 10 000 tours par minute peut être utilisé.
- Le variateur de vitesse (8) est marqué de 1 à 6, correspondant plus ou moins aux vitesses et diamètres d'accessoire indiqués ci-dessous. Sélectionnez la vitesse requise à l'aide du variateur de vitesse (Image I).

Réglage	min ⁻¹ (tr/min)
6	21 000
5	19 000
4	16 000
3	14 000
2	12 000
1	10 000

IMPORTANT : lorsque la défonceuse fonctionne à vitesse faible et moyenne, la vitesse est alors "contrôlée" afin de prévenir la chute de la vitesse moteur. Si vous vous attendez à entendre un changement de vitesse et continuez ainsi de pousser le moteur, celui-ci pourrait surchauffer et être endommagé. Réduisez la profondeur de coupe et/ou la vitesse d'avancée afin de ne pas endommager l'outil.

Il est conseillé de régler la vitesse avant de plonger la fraise dans la pièce de travail. S'il s'avère nécessaire de changer la vitesse une fois la fraise plongée dans la pièce, arrêtez la défonceuse, sortez la fraise de la pièce, et ajustez le réglage de vitesse.

Réglage de la profondeur de coupe

1. Relâchez le dispositif de serrage (22) (Image A).
2. Tout en maintenant l'unité embase (2), pivotez l'unité moteur (1), dans le sens antihoraire jusqu'à ce que la pointe de l'accessoire soit au-dessus de la surface inférieure de la semelle (24).

3. Positionnez la défonceuse sur une surface en bois plane.
4. Pivotez l'unité moteur dans le sens horaire jusqu'à ce que la fraise touche la surface en bois.
5. Serrez le dispositif de serrage.
6. Pivotez la jauge de profondeur (18) jusqu'à ce que le marquage à zéro (38) soit opposé à la ligne repère (39) sur le boîtier (Image J).
7. Relâchez le dispositif de serrage (22).
8. Inclinez la défonceuse jusqu'à ce que la fraise ne soit dégagée de la surface en bois. Pivotez l'unité moteur (1) dans le sens horaire jusqu'à ce que la ligne repère (39) sur le boîtier moteur atteigne la profondeur souhaitée sur la jauge de profondeur.
9. Serrez fermement le dispositif de serrage.
- Le réglage de la ligne repère à 1/4" sur la jauge de profondeur signifie que le tranchant de la fraise est exposé à 1/4" sous l'unité embase.
- Un tour complet du moteur est égal à 1" de profondeur de coupe.

Effectuer une coupe

⚠ AVERTISSEMENT : l'unité moteur n'est pas conçue pour un usage portatif, sans avoir été préalablement installée sur l'unité embase. Le non-respect de ces consignes et instructions peut entraîner des blessures graves.

Remarque : ne JAMAIS utiliser la défonceuse en mode main-libre sans utiliser de guide ou gabarit. Il est possible d'utiliser une fraise à roulement, une règle, ou encore un des guides fournis tels que le guide parallèle (37) (ce guide n'est pas fourni avec tous les kits) pour assister l'utilisation de la défonceuse.

Remarque : lors du fraisage à l'aide d'une règle, calculez la position du fraisage sur la pièce de travail en vérifiant la distance entre le centre de la fraise, et le bord externe de l'embase de la défonceuse.

1. Maintenez TOUJOURS la défonceuse avec les deux mains, par les poignées prévues à cet effet. Assurez-vous que la pièce de travail soit bien immobilisée et utilisez une pince de serrage dans la mesure du possible.
2. Laissez le moteur atteindre sa vitesse de fonctionnement.
3. Déplacez la fraise dans la pièce de travail et déplacez lentement la défonceuse, en veillant à garder la semelle (24) à plat contre la surface de la pièce.
4. Si vous souhaitez travailler sur les bords, la coupe de la pièce de travail doit être réalisée sur le côté gauche par rapport à la direction de la coupe (Image K (a-d)).
5. Maintenez une pression constante et laissez la fraise travailler de façon continue à travers le matériau. N'oubliez pas que des nœuds ou tout autre variation dans le matériau peuvent ralentir la progression.

Remarque : afin d'éviter à la fraise de vibrer sur le matériau, dirigez la coupe dans le sens antihoraire pour les coupes externes (Image K / b et c) et dans le sens horaire pour les coupes internes (Image K / d).

Remarque : déplacer la défonceuse trop rapidement peut entraîner une surcharge du moteur et ainsi une mauvaise qualité de finition. La déplacer trop lentement peut entraîner une surchauffe de la pièce de travail.

Remarque : ne jamais démarrer la défonceuse lorsque renversée à moins qu'elle ne soit montée de manière sûre, sur une table de défonceuse disposant de carters et protections adaptées (ex. : de marque Triton).

Fraisage avec bague de copiage et gabarit (Image L)

- Différentes bagues de copiage sont disponibles pour le fraisage par copiage.
- Des kits d'accessoires sont disponibles auprès de votre revendeur Triton.
- Voir 'Installation de la plaque de montage et de la bague de copiage'.
- Les gabarits sont utilisés avec une bague de copiage (Image L / b) pour permettre à la défonceuse de graver un motif dans la pièce de travail et également pour garantir une uniformité optimale lors des travaux répétitifs.
- Lors de l'utilisation d'un gabarit et d'une bague de copiage, le fraisage de la pièce de travail finale dépendra de l'espacement du gabarit, et le décalage (Image L / e) de la bague doit être établi avant de commencer le fraisage.
- Pour déterminer le décalage, utilisez la formule suivante :
Décalage = Diamètre externe de la bague - Diamètre de la fraise
- Les gabarits peuvent être fabriqués à partir d'une variété de matériaux tels que les panneaux de bois, le contreplaqué, le plastique et le métal.

Usage sur table de défonceuse

⚠ AVERTISSEMENT : lorsque utilisée en conjonction avec le module Table de défonceuse pour Workcentre TWX7RT001, le diamètre maximum de la fraise est de 2". Ceci est limité par les caractéristiques techniques du TWX7RT001.

Remarque : bien que ce produit ait été conçu pour un usage efficace et pratique sur la plupart des tables de défonceuse, il est particulièrement bien adapté pour être utilisé avec le module Table de défonceuse TWX7RT001.

⚠ AVERTISSEMENT : lorsque utilisée avec un table de défonceuse d'autre marque, consultez la section 'Caractéristiques techniques' pour plus d'informations quant au diamètre maximum de coupe de la défonceuse. Consultez les instructions fournies avec la table de défonceuse quant au diamètre maximum de coupe de la table.

Remarque : l'installation et l'usage de cette défonceuse sur une table de défonceuse d'autre marque doivent être effectués selon les instructions fournies avec la table de défonceuse.

Remarque : les réglages de la défonceuse sont extrêmement faciles à effectuer à l'aide des caractéristiques précédemment énoncées dans ce manuel. Voir 'Installation de la fraise et de la pince' et 'Réglage de la profondeur de coupe'.

Accès aux vis de la semelle

1. Pour installer votre défonceuse sur une table (autre que Triton) ou sur une table que vous avez fabriquée vous-même, les 4 x vis de la semelle (29) doivent être retirées de la semelle (24) (Image M).
2. Les 4 x trous à vis de la semelle disposent d'un filetage UNC ¼ peuvent être utilisés pour fixer la semelle sur l'embase (25) ainsi que pour le montage sur table si nécessaire.
3. Consultez les dimensions d'espacement entre les trous à vis de la semelle en Image N.

Accessoires

- Une gamme complète d'accessoires - y compris des fraises, pinces, bagues de copiage et un guide parallèle - est disponible auprès de votre revendeur Triton.
- Vous pouvez également commander des pièces de rechange sur toolsparsonline.com.

Entretien

⚠ AVERTISSEMENT : débranchez l'appareil de sa source d'alimentation avant toute opération de nettoyage ou d'entretien.

Inspection générale

- Vérifiez régulièrement que toutes les vis soient bien serrées.
- Vérifiez le câble d'alimentation de l'outil avant chaque utilisation, à la recherche de tout signe de dommage ou d'usure. En cas d'usure ou d'endommagement nécessitant une réparation, celle-ci ne doit être réalisée que par le fabricant ou qu'auprès d'un centre de réparation agréé Triton. Cette consigne s'applique également pour toute rallonge éventuellement utilisée avec cet appareil.

Nettoyage

⚠ AVERTISSEMENT : TOUJOURS porter des équipements de protection individuelle y compris lunettes et gants de protection lors du nettoyage de l'outil.

- Gardez l'outil propre en permanence. La poussière et la saleté provoquent l'usure rapide des éléments internes de l'appareil, ce qui réduit sa durabilité.
- Utilisez une brosse souple ou un chiffon sec pour le nettoyage.
- N'utilisez jamais d'agents caustiques sur les parties plastiques. Si un nettoyage sec ne suffit pas, il est recommandé d'utiliser un détergent doux sur un chiffon humide.
- L'outil ne doit jamais être mis en contact avec de l'eau.
- Assurez-vous que l'outil soit complètement sec avant de l'utiliser.
- Si vous en avez la possibilité, nettoyez les orifices de ventilation à l'air comprimé propre et sec (dans la mesure du possible).

Lubrification

- Cet outil a été lubrifié à l'aide d'une quantité suffisante de lubrifiant haute qualité pour le fonctionnement de l'outil sous des conditions normales. Ainsi, il n'est pas nécessaire de lubrifier celui-ci.

Remplacement des balais de charbon

- Avec le temps, les balais de charbon du moteur s'usent.
- Si les balais sont excessivement usés, le rendement du moteur peut diminuer, l'outil peut ne pas démarrer ou une quantité anormale d'étincelles peut être observée.

Pour remplacer les balais de charbon :

1. Retirez les caches d'accès aux balais de charbon (5) (Image O).
2. Dévissez la vis de verrouillage du balais (Image P).
3. Sortez le balais en le glissant puis retirez le connecteur (Image Q).
4. Retirez le connecteur électrique du balais (Image R / a) et poussez le ressort sur le côté (Image R / b) afin de retirer le balais usé (Image R / c).
5. Veillez à ce que les compartiments soient propres.
6. Remplacez celui-ci avec un nouveau balais.
7. Glissez l'ensemble partiellement en place, puis reconnectez les connecteurs électriques.
8. Repositionnez l'ensemble dans l'outil et revisez la vis de verrouillage.
9. Veillez à ce que le ressort soit correctement positionné afin d'appliquer une pression suffisante sur le nouveau balai.
10. Remplacez le cache d'accès aux balais de charbon.
11. Répétez les étapes de 1 à 10 pour l'autre balai de charbon.
12. Après le remplacement des deux balais, faites tourner la défonceuse pendant 2-3 minutes pour roder les charbons.

Remarque : le processus de rodage peut se prolonger sur plusieurs utilisations. Des étincelles peuvent être produites jusqu'à ce que les nouveaux balais soient rodés.

- Autrement, faites-les remplacer auprès d'un centre agréé Triton.

Rangement

- Rangez ce produit dans le boîtier prévu à cet effet.
- Rangez ce produit dans un endroit sec, sûr et hors de portée des enfants.

Contact

Pour tout conseil technique ou réparation, veuillez nous contacter au 855-227-3478 (numéro gratuit)

Site web : www.tritontools.com

Adresse :

Longleaf Distribution
85 North Street
Piedmont
AL 36272
USA

Recyclage

Lorsque l'outil n'est plus en état de fonctionner et qu'il n'est pas réparable, recyclez celui-ci conformément aux réglementations nationales.

- Ne jetez pas les outils électriques, batteries et autres déchets d'équipements électriques ou électroniques (DEEE) avec les ordures ménagères.
- Contactez les autorités locales compétentes en matière de gestion des déchets pour vous informer de la procédure à suivre pour recycler les outils électriques.

En cas de problème

Problème	Cause possible	Solution
Ne fonctionne pas lorsque l'interrupteur à bascule ON/OFF (10) est actionnée	Absence d'alimentation	Vérifiez l'alimentation électrique.
	Interrupteur à bascule ON/OFF défectueux	Faites remplacer l'interrupteur à bascule ON/OFF auprès d'un centre de réparation agréé Triton.
Le profil de coupe manque de précision	La fraise ou la pince de serrage (13) est mal installée ou s'est desserrée	Resserrez la fraise / la pince et la monture.
La défonceuse ne fonctionne pas	Absence d'alimentation	Vérifiez que l'alimentation fonctionne correctement à la source.
	L'interrupteur est défectueux	Débranchez l'outil, ouvrez les caches d'accès aux balais de charbon (5) et vérifiez que les balais ne sont pas excessivement usés ou endommagés.
	L'interrupteur est défectueux	Faites réparer l'appareil par un centre de réparation agréé Triton.
	Les éléments du moteur sont défectueux ou court-circuités	
La défonceuse fonctionne lentement	La fraise est émoussée ou endommagée	Réaffûtez ou remplacez la fraise.
	Le variateur de vitesse (8) est positionné sur une vitesse faible	Ajustez le réglage de la vitesse.
	Le moteur est surchargé	Réduisez la pression appliquée sur la défonceuse.
Vibrations excessives	La fraise est mal installée ou s'est desserrée	Reinstallez ou resserrez la fraise.
	La fraise est déformée ou endommagée	Remplacez la fraise.
Quantité excessive d'étincelles à l'intérieur du boîtier moteur	Les balais de charbon ne peuvent pas se déplacer librement	Débranchez l'appareil, retirez les balais de charbon, nettoyez-les ou remplacez-les.
	Le moteur est endommagé ou usé	Faites réparer l'appareil par un centre de réparation agréé Triton.
L'appareil émet un bruit inhabituel	Obstruction mécanique	Faites réparer l'appareil par un centre de réparation agréé Triton.
	Les éléments internes sont endommagés	

Garantie

Pour valider votre garantie, rendez-vous sur notre site internet tritontools.com* et saisissez vos coordonnées.

Informations relatives à l'achat

Date d'achat : ___ / ___ / ___

Modèle: TFBR001

Veillez conserver votre ticket de caisse comme preuve d'achat.

Si toute pièce de ce produit s'avérait défectueuse du fait d'un défaut de fabrication ou de matériau dans les 3 ANS à compter de la date d'achat, Triton Precision Power Tools s'engage auprès de l'acheteur de ce produit à réparer ou, à sa discrétion, à remplacer gratuitement la pièce défectueuse.

Cette garantie ne s'applique pas lors d'un usage commercial et ne couvre pas l'usure normal du produit ou les dommages liés à un accident, un usage abusif ou un usage non-conforme de l'appareil.

* Enregistrez votre produit en ligne dans les 30 jours suivant la date d'achat.

Offre soumise à conditions.

Ceci n'affecte pas vos droits statutaires.

Introducción

Gracias por haber elegido esta herramienta Triton. Estas instrucciones contienen la información necesaria para utilizar este producto de forma segura y eficaz. Lea atentamente este manual para obtener todas las ventajas y características únicas de su nueva herramienta. Conserve este manual a mano y asegúrese de que todas las personas que utilicen esta herramienta lo hayan leído y entendido correctamente. Guarde estas instrucciones con el producto para poder consultarlas en el futuro.

Descripción de los símbolos

Los siguientes símbolos pueden aparecer en la placa de características de su producto. Estos símbolos representan información importante sobre el producto o instrucciones relativas a su uso.



Lleve protección auditiva
Lleve protección ocular
Lleve protección respiratoria
Lleve un casco de seguridad



Lleve guantes de protección



ADVERTENCIA: Para reducir el riesgo de lesiones, el usuario debe leer y comprender completamente el manual de instrucciones



No utilizar en ambientes húmedos o bajo la lluvia



Los mecanismos móviles de esta herramienta pueden causar cortes y lesiones personales.



Protección clase II (doble aislamiento para mayor protección)



Protección medioambiental

Los productos eléctricos usados no se deben mezclar con la basura convencional. Están sujetos al principio de recogida selectiva. Solicite información a su ayuntamiento o distribuidor sobre las opciones de reciclaje.



Conforme a las normas de seguridad y la legislación correspondiente.



¡Peligro!




Tenga precaución – ¡Peligro de contragolpe!

Abreviaturas de términos técnicos

V	Voltio/s
~	Corriente alterna
A, mA	Amperio/s, miliamperio/s
n_0	Velocidad sin carga
n	Velocidad nominal
°	Grados
Ø	Diámetro
Hz	Hercio/s
W, kW	Vatio/s, kilovatio/s
min ⁻¹	(revoluciones/oscilaciones) por minuto
rpm	(revoluciones/oscilaciones) por minuto
dB(A)	Nivel de decibelios (ponderada A)
m/s ²	Metros cuadrados por segundo (vibración)

Características técnicas

Modelo:	TFBR001
Tensión:	120 V~, 60 Hz
Potencia máxima de salida:	3,25 CV
Tensión máxima de entrada:	15 A
Velocidad sin carga:	10.000 – 21.000 min ⁻¹ (rpm)
Ajuste con 6 velocidades (1 - 6):	1) 10.000 min ⁻¹ (rpm) 2) 12.000 min ⁻¹ (rpm) 3) 14.000 min ⁻¹ (rpm) 4) 16.000 min ⁻¹ (rpm) 5) 19.000 min ⁻¹ (rpm) 6) 21.000 min ⁻¹ (rpm)
Pinzas de apriete:	½" y ¼"
Diámetro máximo de la fresa:	<ul style="list-style-type: none"> • 1¾" (con casquillo guía instalado) • 3" (sin casquillo guía instalado) • 2" (cuando se utilice con casquillo guía en la mesa de fresado TWX7RT001)

Vástago máximo de la fresa:	½"
Ajuste de profundidad:	3⅞"
Diámetro de la salida de extracción de polvo:	Interno : 1½z" Externo : 1¼"
Longitud del cable de alimentación:	10'
Clase de protección:	
Grado de protección:	IPX0
Dimensiones (L x An x A):	17 x 9⅞ x 11⅞"
Peso:	15 lbs
Como parte de nuestra política de desarrollo de productos, los datos técnicos de los productos Triton pueden cambiar sin previo aviso.	
Información sobre ruido y vibración	
Presión acústica L_{PA}:	86,3 dB(A)
Potencia acústica L_{WA}:	97,3 dB(A)
Incertidumbre K:	3 dB(A)
Vibración ponderada a_n:	2,5 m/s ²

El nivel de intensidad sonora para el usuario puede exceder de 85 dB(A). Se recomienda usar medidas de protección sonora.

⚠ **ADVERTENCIA:** Utilice siempre protección auditiva cuando el nivel ruido exceda 85 dB(A) o cuando esté expuesto durante largos periodos de tiempo. Si por algún motivo nota algún tipo de molestia auditiva incluso llevando orejeras de protección, detenga inmediatamente la herramienta y compruebe que las orejeras de protección estén colocadas adecuadamente.

⚠ **ADVERTENCIA:** La exposición a la vibración durante la utilización de una herramienta puede provocar pérdida del sentido del tacto, entumecimiento, hormigueo y disminución de la capacidad de sujeción. La exposición durante largos periodos de tiempo puede provocar enfermedad crónica. Si es necesario, limite el tiempo de exposición a la vibración y utilice guantes anti-vibración. No utilice la herramienta cuando sus manos estén muy frías, las vibraciones tendrán un mayor efecto. Utilice los datos técnicos de su herramienta para evaluar la exposición y medición de los niveles de ruido y vibración.

⚠ **ADVERTENCIA:** Las vibraciones producidas durante el uso de esta herramienta pueden ser diferentes al valor total declarado y pueden variar dependiendo del tipo de método de uso de esta herramienta. Por lo tanto, será necesario aplicar todas las medidas de seguridad apropiadas para proteger al usuario durante el uso de esta herramienta. Habrá que tener en cuenta todos los aspectos relacionados con el ciclo de trabajo (apagado de la herramienta, funcionamiento sin carga y tiempo de accionamiento).

El nivel total de vibraciones producidas ha sido medido mediante un proceso estándar y podrá evaluarse tomando como referencia los datos de emisión comparativos de máquinas similares. El nivel de vibración total también podrá utilizarse en una evaluación de exposición previa.

Los niveles de vibración y ruido están determinados según las directivas internacionales vigentes. Los datos técnicos se refieren al uso normal de la herramienta en condiciones normales. Una herramienta defectuosa, mal montada o desgastada puede incrementar los niveles de ruido y vibración. Para más información sobre ruido y vibración, puede visitar la página web www.osha.europa.eu

Instrucciones de seguridad para herramientas eléctricas

⚠ **ADVERTENCIA:** Lea siempre cuidadosamente todas las advertencias e instrucciones seguridad para utilizar este producto de forma segura. El incumplimiento de todas las instrucciones indicadas a continuación puede provocar una descarga eléctrica, un incendio y/o lesiones graves.

Conservar estas instrucciones de seguridad para futura referencia.

El término "herramienta eléctrica" descrito en este manual se refiere a una herramienta alimentada por conexión eléctrica mediante cable (herramienta alámbrica) o una herramienta eléctrica alimentada por batería (herramienta inalámbrica).

1) Seguridad en el área de trabajo

- Mantenga el área de trabajo limpia y bien iluminada.**
Las áreas desordenadas y poco iluminadas pueden provocar accidentes.
- No utilice herramientas eléctricas en atmósferas explosivas que contengan líquidos, gases o polvos inflamables.** Las herramientas eléctricas producen chispas que pueden incendiar el polvo o los vapores.
- Mantenga a las personas y niños alejados de la zona de trabajo.** Las distracciones pueden causar la pérdida de control de la herramienta.

2) Seguridad eléctrica

- El enchufe de su herramienta eléctrica debe coincidir con la toma de corriente. No modifique nunca el enchufe. No utilice adaptadores de enchufe sin toma de tierra.** Los enchufes si modificar y el uso de tomas de corrientes adecuadas reducirán el riesgo de descargas eléctricas.
- Evite el contacto con materiales conductores tales como tuberías, radiadores, estufas y refrigeradores.** El riesgo de descarga eléctrica se incrementa si su cuerpo está expuesto a materiales conductores.
- No utilice las herramientas eléctricas bajo la lluvia o en zonas extremadamente húmedas.** Si entra agua en la herramienta eléctrica, aumentará el riesgo de descarga eléctrica.
- No doble el cable de alimentación. No use nunca el cable de alimentación para transportar la herramienta eléctrica, tirar de ella o desenchufarla. Mantenga el cable alejado del calor, el aceite, los bordes afilados y las piezas móviles.** Los cables dañados o enredados aumentan el riesgo de descarga eléctrica.
- Use un cable de extensión adecuado para uso exterior cuando utilice la herramienta eléctrica en áreas exteriores.** El uso de un cable adecuado para exteriores reducirá el riesgo de descargas eléctricas.

- f) Si es inevitable trabajar con una herramienta eléctrica en lugares húmedos, use un suministro protegido por un interruptor diferencial o disyuntor por corriente diferencial o residual (RCD). El uso de un RCD reduce el riesgo de descargas eléctricas.
- g) Cuando utilice esta herramienta en Australia o Nueva Zelanda, se recomienda conectar esta herramienta a tomas de corriente protegida con dispositivo de protección de corriente diferencial residual de 30 mA o inferior.
- h) Utilice un cable alargador adecuado. Asegúrese de que el cable sea lo suficientemente resistente para el nivel de corriente requerido. Asegúrese de que el cable sea lo suficientemente resistente para el nivel de corriente requerido. Un cable más fino disminuirá la tensión de corriente y provocará la pérdida de potencia y sobrecalentamiento de este producto.
- h) Utilice un cable alargador adecuado. Asegúrese de que el cable alargador este en perfectas condiciones. Asegúrese de que el cable sea lo suficientemente resistente para el nivel de corriente requerido. Un cable más fino disminuirá la tensión de corriente y provocará la pérdida de potencia y sobrecalentamiento de la herramienta. La tabla A mostrada a continuación muestra el tipo de cable adecuado dependiendo de la longitud y amperaje requerido. Para mayor seguridad se recomienda utilizar siempre el cable más grueso. A menor calibre mayor será la resistencia del cable.
- d) Retire todas las llaves de ajuste antes de encender la herramienta. Una llave colocada sobre una parte móvil de la herramienta eléctrica puede causar lesiones graves.
- e) No adopte posturas forzadas. Manténgase en posición firme y en equilibrio en todo momento. Esto le permitirá controlar mejor la herramienta eléctrica en situaciones inesperadas.
- f) Vístase de manera apropiada. No lleve ropa holgada ni joyas. Mantenga el cabello, la ropa y guantes lejos de las piezas en movimiento. La ropa holgada, las joyas o el cabello largo pueden quedar atrapados en las piezas en movimiento.
- g) Utilice siempre un dispositivo de extracción de polvo/ aspiradora y asegúrese de utilizarlos de manera apropiada. El uso de estos dispositivos reducirá los peligros relacionados con el polvo.
- h) No deje que la familiaridad con el producto a base de utilizarlo repetidamente sustituya las normas de seguridad indicadas para utilizar esta herramienta. Utilizar esta herramienta de forma incorrecta puede causar daños y lesiones personales.

4) Uso y mantenimiento de las herramientas eléctricas

- a) Nunca fuerce la herramienta eléctrica. Utilice esta herramienta eléctrica de forma adecuada. Utilice su herramienta de forma correcta para cada aplicación.
- b) No use esta herramienta eléctrica cuando el interruptor de encendido/apagado esté averiado. Cualquier herramienta eléctrica que no se pueda controlar con el interruptor de encendido/apagado será peligrosa y debe ser reparada inmediatamente.
- c) Desenchufe siempre la herramienta o retire la batería antes de realizar cualquier ajuste, cambiar accesorios o almacenar la herramienta. Estas medidas de seguridad preventivas evitarán el arranque accidental de su herramienta eléctrica.
- d) Guarde siempre las herramientas eléctricas fuera del alcance de los niños. No permita que las personas que no estén familiarizadas con estas instrucciones utilicen la herramienta. Las herramientas eléctricas son peligrosas en manos de personas que no estén capacitadas para su uso.
- e) Compruebe regularmente el funcionamiento de sus herramientas eléctricas. Asegúrese de que no haya piezas en movimiento desalineadas o trabadas, piezas rotas o cualquier otro problema que pueda afectar al funcionamiento de la herramienta. Repare siempre las piezas dañadas antes de utilizar la herramienta. Muchos accidentes son causados por herramientas eléctricas que carecen de un mantenimiento adecuado.
- f) Las herramientas de corte deben estar siempre afiladas y limpias. Las herramientas de corte correctamente afiladas son menos propensas a trabarse y son más fáciles de controlar.
- g) Utilice esta herramienta eléctrica y los accesorios según el manual de instrucciones y teniendo en cuenta las condiciones y el trabajo que necesite realizar. El uso de esta herramienta eléctrica con un propósito distinto al cual ha sido diseñada podría ser peligroso y causar lesiones.
- h) Mantenga siempre las empuñaduras y superficies de sujeción limpias y libres de grasa. Las empuñaduras y superficies resbaladizas pueden provocar la pérdida de control de la herramienta de forma inesperada.

Tabla A						
Amperaje		Voltios	Longitud del cable en pies			
		120	25	50	100	150
		240	50	100	200	300
Superior a	Inferior a	Calibre mínimo del cable				
0	6	18	16	16	14	
6	10	18	16	14	12	
10	12	16	16	14	12	
12	16	14	12	No recomendado		

3) Seguridad personal

- a) Manténgase alerta, fíjese en lo que está haciendo y use el sentido común cuando esté utilizando una herramienta eléctrica. No use una herramienta eléctrica cuando esté cansado o bajo la influencia de drogas, alcohol o medicamentos. Distraerse mientras está utilizando una herramienta eléctrica puede provocar lesiones corporales graves.
- b) Use equipo de protección personal. Use siempre protección ocular. El uso de dispositivos de seguridad personal (mascarillas antipolvo, calzado de seguridad antideslizante, casco de protección y protección auditiva) reducirá el riesgo de lesiones corporales.
- c) Evite el arranque accidental de la herramienta. Asegúrese de que el interruptor esté en la posición de apagado antes de enchufar, colocar la batería o transportar la herramienta. Nunca transporte herramientas con el dedo colocado en el interruptor o con el interruptor en posición de encendido.

5) Mantenimiento y reparación

- a) **Repáre siempre su herramienta eléctrica en un servicio técnico autorizado. Utilice únicamente piezas de recambio idénticas y homologadas.** Esto garantizará un funcionamiento óptimo y seguro de su herramienta eléctrica.

Instrucciones de seguridad para fresadoras

⚠ ADVERTENCIA

- **Sujete la herramienta siempre por las empuñaduras aisladas para evitar el riesgo de descargas eléctricas en caso de accidente.** Cortar un cable "bajo tensión" puede provocar que las partes metálicas expuestas de la herramienta eléctrica estén "bajo tensión" y provocar una descarga eléctrica al usuario.
- **Sujete la pieza de trabajo en una plataforma estable.** Sujetar la pieza de trabajo con las manos o cerca de usted podría provocar la pérdida de control.
- **Para evitar el riesgo de lesiones, sustituya el cable de alimentación solo en un servicio técnico autorizado.**
- **Se recomienda conectar esta herramienta a tomas de corriente protegida con dispositivo de protección de corriente diferencial residual de 30 mA o inferior.**
- a) **Use equipo de seguridad como gafas de seguridad o una visera protectora, protección auditiva, mascarilla contra el polvo y ropa protectora, incluyendo guantes de seguridad.**
- b) **No debe dejar nunca trapos, ropa, cuerda, cable o similares alrededor de la zona de trabajo.**
- c) **Asegúrese de que la tensión de su suministro de red sea la misma que la placa de identificación de su herramienta.**
- d) **Cuando necesite un cable de extensión, debe asegurarse de que tenga la intensidad de corriente adecuada para su herramienta eléctrica y que esté en buen estado.**
- e) **Desenrolle totalmente los cables de extensión para evitar un posible recalentamiento.**
- f) **Utilice detectores para determinar si existen cables o tuberías ocultas en la pieza o zona de trabajo.** Contacte con las compañías de suministro si es necesario. El contacto con cables bajo tensión puede provocar una descarga eléctrica o un incendio. Dañar una tubería de gas podría provocar una explosión. Dañar una tubería de agua podría provocar daños graves en la zona de trabajo.
- g) **Asegúrese de haber retirado los objetos extraños como clavos y tornillos de la pieza de trabajo antes de iniciar la operación.**
- h) **Manipule las fresas con mucha precaución; pueden estar extremadamente afiladas.**
- i) **Inspeccione la fresa cuidadosamente antes de utilizarla. Sustituya las fresas rotas o dañadas inmediatamente.**
- j) **Asegúrese de que las fresas estén afiladas y en buen estado.** Tenga precaución al realizar cortes en cantos y bordes ya que podría ser peligroso.
- k) **Sujete siempre la fresadora por las empuñaduras utilizando ambas manos antes de comenzar el corte.**
- l) **Mantenga las empuñaduras siempre limpias de suciedad, grasa, lubricante o aceite.**
- m) **Antes de utilizar la herramienta, conéctela y déjela en funcionamiento durante unos instantes.** Compruebe que no existan ruidos y vibraciones anormales causadas por una instalación de la fresa incorrecta.
- n) **Observe la dirección de giro de la fresa y la dirección de avance.**
- o) **Mantenga las manos alejadas de la fresa y la zona de corte.** Utilice siempre las empuñaduras auxiliares para sujetar correctamente la herramienta.
- p) **Nunca encienda la fresadora mientras la fresa esté en contacto con la pieza de trabajo.**
- q) **Asegúrese que el muelle de profundidad esté siempre montado cuando use la herramienta a mano.**
- r) **Asegúrese que la fresa está completamente parada antes de colocar la fresadora en posición de bloqueo de la pinza de apriete.**
- s) **La velocidad máxima de la fresa deberá ser como mínimo igual de rápida que la velocidad máxima de la herramienta.**
- t) **Las fresas se calentaran durante el uso.** Nunca toque las fresas inmediatamente después de usarlas, podría provocarle quemaduras graves.
- u) **No deje que la fresa entre en contacto con materiales inflamables.**
- v) **Use sólo fresas con un diámetro de vástago compatible con la pinza de apriete suministrada con esta fresadora.** Las fresas incompatibles podrían vibrar y salir despedidas hacia el usuario.
- w) **Nunca utilice el botón de bloqueo del husillo cuando la fresadora esté en funcionamiento.**
- x) **Presione ligeramente cuando realice un corte y deje que la fresa trabaje por sí misma.** Nunca presione excesivamente, de esta forma evitará la sobrecarga del motor.
- y) **Asegúrese de que los símbolos y las advertencias indicadas en la herramienta se puedan leer correctamente.** Sustitúyalas inmediatamente si están dañadas.
- z) **Tenga precaución cuando esté realizando un corte, si la fresa queda atascada podría provocar la pérdida de control de la herramienta y causar daños graves. Compruebe siempre que las fresas estén en buen estado.** En caso de accidente, suelte inmediatamente el interruptor de encendido y apagado.
- **Compruebe durante el funcionamiento que la fresa no se balancee o vibre excesivamente.** Una fresa mal colocada podría provocar la pérdida de control de la herramienta y dañar gravemente al usuario.
- **Tenga EXTREMA precaución cuando utilice fresas con un diámetro superior a 50 mm (2").** Use velocidades de avance muy bajas o repita el corte por etapas para evitar sobrecargar el motor.
- **Desconecte la herramienta y espere siempre hasta que la fresa se haya detenido completamente antes de retirar la fresadora de la pieza de trabajo.**
- **Desenchufe la herramienta de la toma de corriente antes de realizar cualquier ajuste o tarea de mantenimiento.**
- **Incluso cuando se esté utilizando según lo prescrito, no es posible eliminar todos los factores de riesgo residuales.** Si tiene alguna duda sobre el uso seguro de esta herramienta, no la utilice.

⚠ **ADVERTENCIA:** El polvo generado por el uso de herramientas eléctricas puede ser tóxico. Algunos materiales pueden estar tratados con productos tóxicos. Algunos materiales naturales y sintéticos pueden ser tóxicos. Las pinturas antiguas pueden contener plomo y otros productos químicos peligrosos. Evite exponerse al polvo durante largos periodos de tiempo. Evite el polvo en la cara, la piel, ojos y boca. Siempre que sea posible, trabaje en un área bien ventilada. Utilice siempre mascarilla anti-polvo y un sistema de extracción de polvo. Utilice medidas de protección adicionales cuando esté expuesto al polvo durante largos periodos de tiempo.

⚠ **ADVERTENCIA**

El polvo creado al lijar, aserrar, amolar, perforar y al realizar otros trabajos de construcción puede contener sustancias químicas identificadas por el estado de California como causantes de cáncer, o defectos de nacimientos, y/u otros daños reproductivos. Algunos ejemplos de estos productos químicos son:

- Plomo de pinturas a base de plomo.
- La sílice cristalina de los ladrillos y cemento y otros productos de mampostería.
- El arsénico y el cromo de goma tratados químicamente.

El riesgo derivado de estas exposiciones puede variar dependiendo de la frecuencia con que se realice este tipo de trabajo. Para reducir la exposición a estas sustancias químicas, trabaje siempre en áreas bien ventilada y lleve equipos de seguridad adecuados, tales como máscaras contra el polvo especialmente diseñadas para filtrar partículas microscópicas.

Características del producto

1. Motor
2. Base
3. Pasador (x 4)
4. Tambor del motor
5. Tapa de acceso a las escobillas (x 2)
6. Tornillos de la tapa de acceso a las escobillas (x 2)
7. Ranuras de ventilación del motor
8. Selector de velocidad
9. Tapa de seguridad del interruptor
10. Interruptor de encendido/apagado
11. Cable de alimentación del motor
12. Botón de bloqueo del husillo
13. Pinza de apriete
14. Empuñadura principal
15. Interruptor de gatillo
16. Botón de funcionamiento continuo
17. Toma de corriente
18. Escala de profundidad
19. Ranura
20. Empuñadura auxiliar
21. Salida de extracción de polvo
22. Abrazadera de bloqueo
23. Perilla de montaje de la placa guía
24. Placa de guía
25. Base

26. Ranura de montaje para la guía de corte (x 2)
27. Perilla de montaje de la guía de corte (x 2)
28. Cable de alimentación principal
29. Tornillo para la placa de guía (4 x ¼ UNC)
30. Lengüeta de montaje de la placa de guía
31. Lengüeta de sujeción para el casquillo guía (x 2)
32. Tornillos de sujeción de la placa para el casquillo guía (x 2)
33. Placa para casquillo guía

Accesorios

Nota: No suministrados en todos los kits.

34. Pinza de apriete (¼")
35. Llave de ajuste (x 2)
36. Adaptador para casquillo guía
37. Guía de corte

Imagen J

38. Marca cero
39. Línea índice

Imagen L

- a) Fresa
- b) Casquillo guía
- c) Plantillas
- d) Pieza de trabajo
- e) Espacio

Aplicaciones

Fresadora eléctrica con base fija diseñada para recortar perfiles, ranuras, cantos y agujeros elípticos en maderas naturales, materiales compuestos y plásticos. Se puede utilizar con casquillos guía y plantillas para cortar formas, seguir patrones, puede instalarse de forma estacionaria sobre una mesa de fresado Triton o también puede utilizarse con el Workcentre Triton, y otros sistemas compatibles.

Esta herramienta está destinada a ser utilizada con fresas diseñadas para cortar y dar forma a la madera. No es adecuada para su uso con fresas diseñadas para otros usos como el desbaste, lijado, etc. No indicada para uso industrial.

Esta herramienta SOLO debe utilizarse para el propósito para la cual ha sido diseñada. Cualquier uso distinto a los mencionados en este manual se considerará un uso incorrecto. El fabricante no se hará responsable por los daños causados debido a la utilización incorrecta de esta herramienta. El fabricante no se hará responsable por los daños causados debidos a la modificación de esta herramienta.

Desembalaje

- Desembale e inspeccione la herramienta con cuidado. Familiarícese con todas sus características y funciones.
- Asegúrese de que el embalaje incluya todas las piezas y compruebe que estén en buenas condiciones.
- Si faltan piezas o están dañadas, sustitúyalas antes de utilizar esta herramienta.

Antes de usar

⚠ **ADVERTENCIA:** Desconecte siempre la herramienta de la toma de corriente antes de cambiar o sustituir cualquier accesorio.

IMPORTANTE: Nunca apriete la pinza de apriete si antes no ha instalado una fresa. Apretar la pinza de apriete sin tener colocada una fresa podrá dañar la pinza.

Montaje del motor en la base

IMPORTANTE: Para evitar dañar el cable de alimentación del motor (11), asegúrese de desconectarlo de la toma de corriente (17) antes de montar el motor (1) (Imagen B).

1. Afloje la abrazadera de bloqueo (22) (Imagen A).
2. Introduzca el motor en la base (2), alineando el pasador más bajo (3) con la ranura (19) situada en la base (Imagen B).
3. Gire el motor en el sentido horario a la base hasta que el pasador superior esté firmemente asentado en la ranura de la base.
4. Apriete la abrazadera de bloqueo firmemente.

Nota: La presión de la abrazadera de bloqueo puede ajustarse mediante el perno de ajuste (Imagen A / a).

Instalación de la pinza de apriete y la fresa

⚠ **ADVERTENCIA:** Utilice siempre guantes de protección resistentes a los cortes cuando maneje fresas y accesorios de corte.

1. Asegúrese de que la fresadora esté apagada y que la tapa de seguridad del interruptor (10) esté cerrada.
2. Retire el motor (1) fuera de la base (2):
 - a. Afloje la abrazadera de bloqueo (22) (Imagen A).
 - b. Sujete la base y gire el motor en sentido antihorario hasta que el pasador más bajo (3) se desprenda de la ranura (19) situada en la base.
 - c. Retire el motor fuera de la base.
3. Coloque el motor de lado sobre un banco de trabajo con la pinza de apriete (13) mirando hacia usted.
4. Apriete el botón de bloqueo del husillo (12) y utilice la llave de ajuste (35) para girar la pinza de apriete y bloquear el husillo.
5. Mantenga presionado el botón de bloqueo del husillo y afloje la pinza de apriete girándola en sentido horario hasta retirarla completamente (Imagen C).
6. Seleccione una pinza de apriete y enrósquela en el portapiezas girando en sentido horario pero sin apretarla completamente.
7. Introduzca la fresa en la pinza de apriete y asegúrese de que al menos 20 mm o la mitad de la longitud del vástago esté insertado dentro de la pinza de apriete.
8. Apriete el botón de bloqueo del husillo y utilice la llave de ajuste para girar la pinza de apriete y apretar la fresa.

Nota: El bloqueo del husillo no será accesible cuando se monte sobre una mesa de fresado Triton. Sin embargo, el husillo podrá bloquearse con una segunda llave. Véase Imagen D

Salida de extracción de polvo

La fresadora Triton dispone de una salida de extracción de polvo (21) para extraer virutas de forma eficaz. (Véase "Características técnicas" para ver la compatibilidad con dispositivos de extracción de polvo.)

Guía de corte

Nota: La guía de corte (37) no se suministra con todos los kits.

1. Introduzca la guía de corte en las ranuras de montaje (26) de la base (2), y sujétela firmemente utilizando el tornillo de montaje de la guía (27).

Placa de montaje de casquillo guía e instalación de un casquillo

Nota: La fresadora se suministra con una placa de montaje para casquillos guía (33) compatible con todos los casquillos guía Triton utilizados para fresar con plantillas.

Nota: La fresadora puede utilizarse normalmente con la placa de montaje para casquillos guía instalada en la base (24). Véase "Características técnicas" para saber el tamaño máximo del diámetro de la fresa requerido para su uso con y sin la placa de montaje para casquillos guía.

Desmontaje de la placa para casquillos guía (Imagen E):

1. Invierta la fresadora para apoyarla en las ranuras de ventilación planas del motor (7) de modo que la base (24) esté orientada hacia arriba.
2. Desenrosque los tornillos de sujeción de la placa para el casquillo guía (x 2) (32).
3. Retire la placa para casquillo guía (33).

⚠ **ADVERTENCIA:** Compruebe SIEMPRE que la placa de montaje para casquillos guía esté alineada de forma correcta. El agujero de la placa de montaje debe estar centrado en la base de la fresadora para usar de forma segura con casquillos guía y fresas. La falta de alineación correcta podría dañar la fresadora, la placa, el casquillo guía, la fresa y podría causar graves lesiones personales.

Instalación de los casquillos guías (Imagen F):

Nota: La fresadora no se suministra con casquillos guías; sin embargo, los juegos de casquillos están disponibles como accesorios opcionales en su distribuidor Triton.

Nota: Asegúrese de que la placa de montaje para casquillos guías (33) esté instalada (ver más arriba).

1. Afloje los 2 tornillos de fijación de la placa guía y asegúrese de que las 2 lengüetas de fijación del casquillo guías (31) estén orientadas hacia el borde exterior de la base de la fresadora (25).
2. Alinee las ranuras del casquillo guía con los tornillos y colóquela en la ranura de la placa de montaje del casquillo guía (33).
3. Gire las lengüetas de fijación para mirar hacia el casquillo guía y apriete los tornillos de fijación del casquillo guía para asegurar el casquillo guía en su lugar.
4. Para quitar el casquillo guía, siga las instrucciones anteriores en orden inverso.

Adaptador para casquillo guía Porter Cable

El adaptador de casquillo guía (36) se instala de la misma manera que un casquillo guía Triton - Véase "Instalación de casquillos guías" más arriba. El adaptador puede utilizarse para instalar casquillos guía Porter Cable.

Funcionamiento

⚠ **ADVERTENCIA:** Lleve SIEMPRE protección adecuada cuando utilice esta herramienta, incluido protección ocular, protección auditiva y guantes de protección.

Encendido y apagado

Nota: La tapa de seguridad del interruptor (9) evita el arranque accidental de la fresadora. Debe ser retraída antes de encender la fresadora. La tapa de seguridad permanecerá abierta hasta que la fresadora esté apagada.

Nota: El interruptor de encendido/apagado y el gatillo deberán estar activados para poder encender el motor.

Cuando se utilice con la base:

1. Asegúrese de que la fresa no interfiera con ningún objeto cuando la herramienta esté encendida.
2. Conecte el cable de alimentación del motor (11) en la toma de corriente (17) situada en la empuñadura principal (14) de la base (2) (Imagen G).
3. Enchufe el cable de alimentación principal (28) en la toma de corriente.
4. Deslice la tapa de seguridad del interruptor (9) para mostrar el interruptor de encendido/apagado (Imagen H).
5. Para encender la fresadora, coloque el interruptor de encendido/apagado en la posición 'I'. Mientras el interruptor de encendido/apagado esté en esta posición, se evitará que la tapa de seguridad del interruptor vuelva a cubrir el interruptor de encendido/apagado.
6. Para apagar la fresadora, coloque el interruptor de encendido/apagado en la posición 'O'. La tapa de seguridad del interruptor volverá de nuevo a su posición inicial.
7. Para encender el motor, apriete el gatillo (15) situado en la empuñadura principal (14).
8. Para bloquear el gatillo de forma continua, mantenga apretado el botón de funcionamiento continuo (16) y suelte el gatillo. Ahora la herramienta continuará funcionando hasta que vuelva a apretar de nuevo el gatillo.

Nota: El interruptor de encendido/apagado se iluminará al activar el gatillo.

Cuando se utilice con el Workcentre Triton:

1. Asegúrese de que la fresa no interfiera con ningún objeto cuando la herramienta esté encendida.
2. Enchufe el cable de alimentación del motor directamente en la toma de salida del Workcentre.
3. Para encender la fresadora, coloque el interruptor de encendido/apagado en la posición 'I'. Mientras el interruptor de encendido/apagado esté en esta posición, se evitará que la tapa de seguridad del interruptor vuelva a cubrir el interruptor de encendido/apagado.
4. Para apagar la fresadora, coloque el interruptor de encendido/apagado en la posición 'O'. La tapa de seguridad del interruptor volverá de nuevo a su posición inicial.
5. Utilice el interruptor de encendido del Workcentre para encender la herramienta.

Luces de trabajo

- Esta fresadora está equipada con 2 Luces de trabajo situadas en la base del motor.
- Las Luces se encenderán cuando se active el motor.
- Después de encender el motor habrá un retardo momentáneo antes de que las luces se activen.

Ajuste de velocidad

Nota: La configuración de la velocidad de la fresadora no es crítica. Por lo general, se debe utilizar la velocidad más alta para no causar marcas de quemaduras en la pieza de trabajo. Cuando se indique, siga siempre las limitaciones de velocidad máxima del fabricante de la fresa utilizada.

- El funcionamiento a velocidad reducida aumenta el riesgo de daños en la fresadora causados por una sobrecarga. Utilice velocidades de avance muy lentas o cortes de poca profundidad.
- Se pueden utilizar fresas de más de 2½" cuando se utilice la fresadora a bajas velocidades. Si las dimensiones de la fresa son entre 2½" y 3", solo podrá utilizar los ajustes de velocidad de 10.000 o 12.000 rpm. Si las dimensiones de la fresa son entre 3" y 3½", solo podrá utilizar el ajuste de velocidad de 10.000 rpm.
- El selector de velocidad (8) dispone de 6 ajustes diferentes (1 - 6), que corresponden aproximadamente a las velocidades indicadas en la tabla mostrada a continuación. Gire el selector de velocidad para ajustar la herramienta a la velocidad requerida (Imagen I).

Ajuste	min ⁻¹ (rpm)
6	21.000
5	19.000
4	16.000
3	14.000
2	12.000
1	10.000

Importante: En el funcionamiento a baja y media velocidad, la velocidad se controla para evitar que la velocidad del motor disminuya. Si espera oír un cambio de velocidad y sigue sobrecargando el motor, podría dañarlo por sobrecalentamiento. Reduzca la profundidad de corte y/o disminuya el avance para evitar daños en la herramienta.

Se recomienda ajustar la velocidad antes de introducir la fresa en el material. Si es necesario cambiar la velocidad una vez haya iniciado el corte, detenga primero la fresadora, retírela y ajuste de nuevo la velocidad.

Ajuste de profundidad de corte

1. Afloje la abrazadera de bloqueo (22) (Imagen A).
2. Mientras sujeta la base (2), gire el motor (1) en sentido antihorario hasta que la punta de la fresa esté por encima de la superficie inferior de la placa de guía (24).
3. Coloque la fresadora sobre una superficie plana de madera.
4. Gire el motor en sentido horario hasta que la fresa entre en contacto la superficie de madera.
5. Apriete la abrazadera de bloqueo.
6. Gire la escala de profundidad (18) hasta que la marca cero (38) se quede situada frente a la línea índice (39) de la carcasa (imagen J).
7. Afloje la abrazadera de bloqueo (22).

8. Incline la fresadora para que la broca no toque la superficie de la madera. Gire el motor (1), en el sentido horario hasta que la línea índice (39) de la carcasa del motor alcance la profundidad deseada indicada en la escala de profundidad.
9. Apriete la abrazadera de bloqueo firmemente.
 - Ajustar la línea de índice a 1/4" en la escala de profundidad significa que el borde de corte de la fresa estará expuesto a ¼" por debajo de la base.
 - Una vuelta completa del motor es equivalente a 1" de profundidad de corte

Realizar un corte

⚠ **ADVERTENCIA:** El motor no está diseñado para su uso individual, sin estar unido previamente a la base. El incumplimiento de estas instrucciones puede provocar lesiones graves.

Nota: NUNCA utilice la fresadora en modo manual sin guía de corte. Se puede utilizar como guía una fresa con rodamientos, un borde recto, o una guía de corte (37) (no incluida con todos los kits).

Nota: Cuando frese en un borde recto, calcule la posición de corte necesaria en la pieza de trabajo comprobando la distancia desde el centro de la fresa hasta el borde exterior de la base de la fresadora.

1. Sujete SIEMPRE la fresadora por las empuñaduras con las dos manos. Asegúrese de que la pieza de trabajo no se mueva y use abrazaderas cuando sea necesario.
2. Deje que el motor alcance su velocidad máxima.
3. Acerque la fresa hasta la pieza de trabajo mientras mueve la fresadora lentamente manteniendo la placa de guía (24) contra la pieza de trabajo.
4. Para fresar bordes, mantenga la pieza de trabajo a la izquierda de la fresadora, en relación a la dirección de corte (Imagen K / a-d).
5. Mantenga una presión constante y deje que la fresa trabaje de forma uniforme a través del material. Tenga en cuenta que los nudos y otras irregularidades ralentizarán la progresión del corte.

Nota: Para evitar vibraciones en la fresa, dirija el corte en sentido antihorario (Imagen K / b y c) para realizar cortes exteriores y en sentido horario para cortes interiores (Imagen K / d).

Nota: Mover la fresadora demasiado rápido puede provocar un corte de mala calidad y sobrecalentar el motor de la herramienta. Mover la fresadora demasiado despacio puede recalentar excesivamente la pieza de trabajo.

Nota: No utilice la fresadora boca abajo a menos que esté montada de manera segura sobre una mesa de fresado (ej: mesa de fresado Triton).

Fresado con plantillas y casquillos guía (Imagen L)

- Existen diferentes casquillos guía para fresar con plantillas.
- También hay juegos de accesorios disponibles a través de su distribuidor Triton.
- Véase "Placa de montaje de casquillo guía e instalación de un casquillo".
- Las plantillas se utilizan con un casquillo copiadore (Imagen L / b) para permitir que la fresadora pueda fresar un patrón determinado sobre la pieza de trabajo con formas consistentes y repetitivas.

- Cuando se utiliza una plantilla y un casquillo guía, el corte en la pieza de trabajo final será diferente del espacio en la plantilla, por lo tanto, el espacio (Imagen L / e) del casquillo guía deberá tenerse en cuenta antes de fresar.
- Para averiguar el ajuste adecuado, use esta fórmula: Espacio = Diámetro exterior del casquillo copiadore - Diámetro de la fresa.
- Las plantillas y patrones pueden realizarse en gran variedad de materiales tales como maderas duras, madera contrachapada, plástico o metal.

Funcionamiento sobre una mesa de fresado

⚠ **ADVERTENCIA:** Cuando utilice esta herramienta con el módulo de mesa de fresado Workcentre Triton TWX7RT001, el diámetro máximo de la fresa deberá ser de 2". Esto está limitado por las especificaciones del TWX7RT001.

Nota: Este producto ha sido diseñado para un funcionamiento eficaz y conveniente en la mayoría de las mesas de fresado, y es especialmente adecuado para utilizarse con el módulo de mesa de fresado Triton TWX7RT001.

⚠ **ADVERTENCIA:** Cuando utilice este producto con una mesa de fresado de otras marcas, deberá consultar la sección "Características técnicas" de este manual para saber el diámetro de corte máximo de la fresa. Consulte las instrucciones suministradas con su mesa de fresado para conocer el diámetro de corte máximo de la mesa de fresado.

Nota: La instalación y el funcionamiento de esta fresadora en mesas de fresado de otras marcas se debe llevar a cabo de acuerdo con las instrucciones suministradas con su mesa de fresado.

Nota: Los ajustes de esta fresadora son extremadamente fáciles cuando se utilicen las funciones descritas anteriormente en el manual. Véase "Instalación de la pinza de apriete y la fresa" y "Ajuste de profundidad de corte".

Acceso a las roscas de los tornillos de la placa guía

1. Para montar la fresadora en una mesa de fresado de otra marca, retire los 4 tornillos para la placa guía (29) fuera de la de la placa guía (24) (Imagen M) y retire la placa guía de la fresadora.
2. Los 4 agujeros de los tornillos de la placa guía disponen de rosca UNC de ¼, utilizadas para asegurar la placa guía a la base (25) pero también para el montaje sobre una mesa de fresado si es necesario.
3. Vea las dimensiones del espacio de los agujeros de los tornillos de la placa guía en la (Imagen N).

Accesorios

- Existen gran variedad de accesorios, fresas, guías de corte, pinzas de apriete y casquillos guía para esta herramienta disponibles en su distribuidor Triton.
- Las piezas de repuesto, incluido casquillos guía pueden obtenerse a través de www.toolsaresonline.com

Mantenimiento

⚠ **ADVERTENCIA:** Desconecte SIEMPRE la fresadora de la toma de corriente antes de inspeccionarla, limpiarla o realizar cualquier tarea de mantenimiento.

Inspección general

- Compruebe regularmente que todos los tornillos y elementos de fijación estén bien apretados.
- Inspeccione el cable de alimentación antes de utilizar esta herramienta y asegúrese de que no esté dañado. Las reparaciones deben realizarse por un servicio técnico Triton autorizado. Este consejo también se aplica a los cables de extensión utilizados con esta herramienta.

Limpieza

⚠ **ADVERTENCIA:** Utilice SIEMPRE guantes y protección ocular cuando limpie esta herramienta.

- Mantenga la herramienta siempre limpia. La suciedad y el polvo pueden dañar y reducir la vida útil su herramienta.
- Utilice un cepillo suave o un paño seco para limpiar la herramienta.
- Nunca utilice agentes cáusticos para limpiar las piezas de plástico. Se recomienda utilizar un paño humedecido con un detergente suave.
- Nunca deje que el agua entre en contacto con la herramienta.
- Asegúrese de que la herramienta esté completamente seca antes de utilizarla.
- Si dispone de un compresor de aire comprimido, sople con aire seco y limpio para limpiar los orificios de ventilación.

Lubricación

- Esta herramienta ha sido lubricada con lubricante de alta calidad para utilizar y preservar la herramienta en condiciones de trabajo normales. Por lo tanto, no se requiere lubricación adicional.

Sustitución de las escobillas

- Con el tiempo, las escobillas de carbono del motor se desgastarán.
- Si las escobillas se han desgastado excesivamente, el rendimiento del motor puede disminuir, la herramienta tal vez no arranque o quizás observe una excesiva presencia de chispas.

Para sustituir las escobillas:

1. Retire la tapa de acceso a las escobillas (5) (Imagen O).
2. Retire el tornillo del conjunto de las escobillas (Imagen P).
3. Deslice el conjunto de escobillas parcialmente hacia fuera y retire el conector de cableado (Imagen Q).
4. Retire el conector eléctrico de las escobillas (Imagen R / a), mueva el muelle hacia un lado (Imagen R / b) y retire con cuidado las escobillas desgastadas (Imagen R / c).
5. Asegúrese de que las ranuras estén limpias.
6. Sustituya con precaución la escobilla por una nueva.
7. Deslice el conjunto de escobillas parcialmente en su posición y vuelva a conectar los conectores eléctricos.
8. Empuje el conjunto hasta el fondo y sujételo con el tornillo.
9. Asegúrese de que el muelle está correctamente situado para que presione sobre la parte superior de la nueva escobilla.
10. Vuelva a colocar la tapa de acceso a las escobillas.
11. Repita los pasos 1 - 10 para instalar la otra escobilla.
12. Encienda la fresadora y déjala funcionando durante 2 - 3 minutos para asentar las escobillas.

Nota: El proceso de rodaje de las escobillas puede durar durante varios usos. Las chispas en el motor pueden continuar hasta que las nuevas escobillas de carbono se hayan asentado.

- En caso de duda, lleve la herramienta a un servicio técnico autorizado.

Almacenaje

- Guarde siempre la herramienta en su caja.
- Guarde esta herramienta en un lugar seco y seguro fuera del alcance de los niños.

Contacto

Servicio técnico de reparación - Tel (gratuito): 855-227-3478

Web: www.tritontools.com

Dirección:

Longleaf Distribution
85 North Street
Piedmont
AL 36272
EUA.

Reciclaje

Deshágase siempre de los aparatos eléctricos adecuadamente respetando las normas de reciclaje indicadas en su país.

- No desheche las herramientas y aparatos eléctricos junto con la basura convencional.
- Póngase en contacto con la autoridad local encargada de la gestión de residuos para obtener más información sobre cómo reciclar este tipo de herramientas correctamente.

Solución de problemas

Problema	Causa	Solución
La herramienta no se enciende al accionar interruptor de encendido/apagado (10)	Falta de alimentación eléctrica	Compruebe el suministro eléctrico
	Interruptor de encendido/apagado averiado	Sustituya el interruptor de encendido/apagado en un servicio técnico Triton
Perfil de corte inexacto	Fresa/pinza de apriete mal colocada o aflojada (13)	Apriete la fresa/pinza de apriete correctamente
No hay alimentación eléctrica	Compruebe el suministro eléctrico	Compruebe la fuente el suministro eléctrico
	Escobillas gastadas o pegadas	Desconecte la herramienta, abra la tapa de las escobillas (5) y compruebe el estado de las escobillas
	Interruptor averiado Componentes del motor averiados o cortocircuito	Repare la herramienta en un servicio técnico autorizado Triton
La fresadora funciona lentamente	Fresa desgastada o dañada	Afile o sustituya la fresa por una nueva
	Selector de velocidad (8) con ajuste demasiado bajo	Incremente la velocidad
	Motor sobrecargado	Disminuya la presión ejercida sobre la fresadora
Vibración excesiva	Fresa dañada o mal colocada	Sustituya la fresa por una nueva o colóquela correctamente
	Fresa doblada o dañada	Sustituya la fresa por una nueva
	Las escobillas no se mueven libremente	Desconecte la herramienta, retire las escobillas y límpielas o sustitúyalas
	Motor dañado o desgastado	Repare la herramienta en un servicio técnico autorizado Triton
La fresadora hace un ruido inusual	Obstrucción mecánica	Repare la herramienta en un servicio técnico autorizado Triton
	Piezas en el interior dañadas	

Garantía

Para registrar su garantía, visite nuestra página Web en tritontools.com* e introduzca sus datos personales.

Recordatorio de compra

Fecha de compra: ___/___/___

Modelo: TFBR001

Conserve su recibo como prueba de compra.

Las herramientas Triton disponen de un período de garantía de 3 años. Para obtener esta garantía, deberá registrar el producto online en un plazo de 30 días contados a partir de la fecha de compra. Si durante ese período apareciera algún defecto en el producto debido a la fabricación o materiales defectuosos, Triton se hará cargo de la reparación o sustitución del producto adquirido.

Esta garantía no se aplica al uso comercial por desgaste de uso normal, daños accidentales o por mal uso de esta herramienta.

* Registre el producto online en un plazo de 30 días contados a partir de la fecha de compra.

Se aplican los términos y condiciones.

Esto no afecta a sus derechos legales como consumidor.

Tradução das instruções originais

Introdução

Obrigado por comprar este produto Triton. Este manual contém as informações necessárias para a operação segura e eficiente deste produto. Este produto apresenta recursos exclusivos, e mesmo que você esteja familiarizado com produtos similares, é necessário ler o manual cuidadosamente para garantir que as instruções sejam totalmente entendidas. Assegure-se de que todos os usuários desta ferramenta leiam e compreendam totalmente o manual.

Descrição dos símbolos

A placa de identificação do seu produto pode apresentar alguns símbolos. Estes indicam informações importantes sobre o produto, ou instruções sobre seu uso.



Use proteção auricular
Use proteção ocular
Use proteção respiratória
Use proteção de cabeça



Use proteção nas mãos



AVISO: Para reduzir o risco de lesões, o usuário deve ler o manual de instruções



NÃO use sob chuva ou em ambientes úmidos!



As peças móveis podem causar ferimentos por esmagamento ou corte.



Construção de classe II (isolamento duplo para proteção adicional)

Proteção ambiental

O descarte de produtos elétricos não deve ser feito no lixo doméstico. Faça a reciclagem em locais próprios para isso. Consulte as autoridades locais ou seu revendedor para saber como reciclar.



Cumpra a legislação e os padrões de segurança aplicáveis.



Cuidado!




Cuidado com os contragolpes!

Abreviações técnicas

V	Volts
~	Corrente alternada
A, mA	Ampere, milliampere
n ₀	Velocidade sem carga
n	Velocidade nominal
°	Graus
∅	Diâmetro
Hz	Hertz
W, kW	Watt, Quilowatt
min ⁻¹	Operations per minute
RPM	Rotações por minuto
dB(A)	Nível sonoro, em decibéis (A ponderado)
m/s ²	Metros por segundo ao quadrado (magnitude de vibração)

Especificação

Modelo:	TFBR001
Voltagem:	120 V~, 60 Hz
Potência de pico:	3,25 CV
Potência de entrada:	15 A
Velocidade sem carga:	10.000 – 21.000 min ⁻¹ (RPM)
6 configurações de velocidade (1 - 6):	1) 10.000 min ⁻¹ (RPM) 2) 12.000 min ⁻¹ (RPM) 3) 14.000 min ⁻¹ (RPM) 4) 16.000 min ⁻¹ (RPM) 5) 19.000 min ⁻¹ (RPM) 6) 21.000 min ⁻¹ (RPM)
Engaste:	1/2" e 1/4"

Diâmetro máximo da ferramenta de corte:	<ul style="list-style-type: none"> • 1¼" com a Placa de montagem da bucha-guia instalada • 3" sem a Placa de montagem da bucha-guia instalada • 2" quando usada com o TWX7RT001, sem a Placa de montagem da bucha-guia instalada
Tamanho máximo do engaste:	½"
Ajuste de profundidade:	3/8"
Diâmetro do bocal de extração de pó:	Interno: 1½" Externo: 1¼"
Comprimento do cabo elétrico:	10'
Classe de proteção:	
Proteção de entrada:	IPX0
Dimensões (C x L x A):	17 x 9 7/8 x 11 1/8"
Peso:	15 lbs
Como parte do desenvolvimento contínuo de nossos produtos, as especificações da Triton poderão ser alteradas sem aviso.	
Informações sobre ruído e vibração	
Pressão sonora (L_{PA}):	86,3 dB(A)
Potência sonora (L_{WA}):	97,3 dB(A)
Incerteza K:	3,0 dB(A)
Vibração ponderada a_n:	< 2,5 m/s ²

O nível de intensidade sonora para o operador poderá exceder 85 dB(A) e medidas de proteção auditiva são necessárias.

⚠ **AVISO:** Use sempre proteção auditiva apropriada, quando o ruído da ferramenta ultrapassar 85dB(A), e limite o tempo de exposição ao mínimo necessário. Caso os níveis de ruído se tornem desconfortáveis, mesmo com proteção auditiva, pare imediatamente de usar a ferramenta e verifique se a proteção auditiva está ajustada de forma correta, de modo prover a atenuação sonora correta, para o nível de ruído produzido pela ferramenta.

⚠ **AVISO:** A exposição do usuário à vibração da ferramenta pode resultar em perda de sentido do tato, dormência, formigamento e diminuição da capacidade de agarrar. A exposição por longo prazo pode levar a uma condição crônica. Caso necessário, limite o período de tempo que fica exposto à vibração e use luvas antivibração. Não use a ferramenta com as mãos expostas a uma temperatura abaixo da temperatura normal confortável, uma vez que a vibração tem mais impacto nessa condição. Use os valores fornecidos na especificação relativa a vibrações, para calcular a duração e frequência de uso da ferramenta.

⚠ **AVISO:** A produção de vibração, durante o uso atual da ferramenta elétrica, pode diferir do valor total declarado, dependendo da forma como a ferramenta é usada. Existe a necessidade de identificar medidas de segurança para proteger o operador, as quais são baseadas em uma estimativa de exposição nas condições reais de uso (levando em consideração todas as partes do ciclo de operação, como os momentos em que a ferramenta é desligada, quando está funcionando sem carga e o tempo de acionamento).

O valor total declarado de vibração foi determinado de acordo com o método de teste padrão, e pode ser usado para se comparar uma ferramenta com outra. O valor total declarado de vibração também pode ser usado em uma avaliação preliminar de exposição.

Os níveis sonoros da especificação são determinados de acordo com padrões internacionais. Os valores consideram o uso normal da ferramenta, sob condições de trabalho normais. Uma ferramenta montada, mantida ou usada incorretamente, poderá produzir níveis de ruído, e de vibração, superiores: O site www.osha.europa.eu fornece mais informações sobre níveis de vibração e ruído em locais de trabalho, e pode ser útil para usuários domésticos que usam ferramentas por longos períodos de tempo.

Avisos de segurança geral da ferramenta

⚠ **AVISO:** Leia todos os avisos, instruções, ilustrações e especificações fornecidas com esta ferramenta. O descumprimento das instruções abaixo pode resultar em choque elétrico, incêndio e/ou ferimentos graves.

Guarde todos os avisos e instruções para consulta futura.

O termo "ferramenta elétrica", nos avisos, se refere a uma ferramenta que usa alimentação da rede elétrica (com cabo elétrico) ou uma bateria (sem cabo elétrico).

1) Segurança na área de trabalho

- Mantenha a área de trabalho limpa e bem iluminada.** Áreas desorganizadas ou escuras facilitam os acidentes.
- Não opere ferramentas elétricas em atmosferas explosivas, como na presença de líquidos, gases ou serragens inflamáveis.** Ferramentas elétricas produzem faíscas que podem inflamar a serragem ou os gases.
- Mantenha as crianças e observadores à distância, quando operar ferramentas elétricas.** Distrações podem fazer você perder o controle.

2) Segurança elétrica

- O plugue de tomada da ferramenta deve ser compatível com a tomada de parede. Nunca modifique um conector, de maneira alguma. Nunca use conectores adaptadores em ferramentas elétricas com fio terra (aterradas).** Conectores sem modificações e tomadas corretas reduzem o risco de choques elétricos.
- Evite o contato de seu corpo com superfícies aterradas como tubos, radiadores, extensões e refrigeradores.** Existe um risco maior de choque elétrico se o seu corpo estiver aterrado.

- c) Não deixe as ferramentas elétricas expostas a chuva ou condições úmidas. *A água que entra em uma ferramenta elétrica, aumenta o risco de choque elétrico.*
- d) Não abuse do cabo elétrico. Nunca use o cabo para carregar, puxar ou desconectar a ferramenta elétrica. Mantenha o cabo longe de calor, óleo, bordas afiadas ou peças móveis. *Cabos danificados ou emaranhados aumentam o risco de choque elétrico.*
- e) Quando operar uma ferramenta elétrica ao ar livre, use um cabo de extensão adequado para uso externo. *A utilização de um cabo adequado para uso externo reduz o risco de choque elétrico.*
- f) Se o uso da ferramenta elétrica em local úmido for inevitável, use uma fonte de alimentação protegida com Dispositivo de Corrente Residual (DR). *O uso de um DR reduz o risco de choque elétrico.*
- g) Quando usada na Austrália ou Nova Zelândia, recomenda-se que esta ferramenta seja SEMPRE alimentada através de um Dispositivo de Corrente Residual (DR), com corrente residual nominal de 30mA ou menos.
- h) Use um cabo de extensão elétrico adequado. Certifique-se de que o cabo de extensão está em boas condições. Quando usar um cabo de extensão, assegure-se de que suporta a corrente consumida pelo produto. *Um cabo subestimado provocará uma queda na tensão de alimentação e resultará em perda de potência e superaquecimento. A tabela A mostra a bitola correta a ser usada em função do comprimento do cabo e do valor nominal de consumo em Amperes. Caso esteja em dúvida, use a bitola imediatamente*

Tabela A						
Amperagem nominal		Volts	Comprimento total do cabo em pés			
		120	25	50	100	150
		240	50	100	200	300
Mais do que	Não mais do que	Amperagem mín. do cabo				
0	6	18	16	16	14	
6	10	18	16	14	12	
10	12	16	16	14	12	
12	16	14	12	Não recomendado		

3) Segurança pessoal

- a) Mantenha-se alerta, preste atenção no que faz e use de bom senso enquanto opera a ferramenta elétrica. Não use ferramentas elétricas quando estiver cansado ou sob influência de drogas, álcool ou medicamentos. *Um momento de desatenção, quando se opera uma ferramenta elétrica, pode resultar em ferimentos pessoais graves.*
- b) Use equipamentos de proteção individual. Use sempre proteção ocular. *Equipamentos de proteção como máscara respiratória, calçados de proteção antiderrapantes, capacete ou protetores auditivos, usados de acordo com as condições apropriadas, reduzem a ocorrência de ferimentos.*
- c) Evite partidas não intencionais. Certifique-se de que o interruptor esteja na posição desligada, antes de conectar a ferramenta à fonte de alimentação e/ou bateria, quando estiver transportando a ferramenta. *Transportar ferramentas elétricas com seu dedo no interruptor ou energizar ferramentas elétricas com o interruptor na posição ligada, propicia acidentes.*
- d) Remova todas as chaves ou ferramentas de trabalho, antes de ligar a ferramenta elétrica. *Uma chave deixada em uma peça rotativa da ferramenta elétrica poderá resultar em ferimentos.*
- e) Não se estique demais. Mantenha sempre o equilíbrio e os pés em local firme. *Isto permite um melhor controle da ferramenta em situações inesperadas.*
- f) Vista-se apropriadamente. Não use joias, nem roupas largas. Mantenha cabelos e roupas longe das peças móveis. *Roupas largas, joias e cabelos longos podem ficar presos nas peças móveis*
- g) Se for utilizar dispositivos para a aspiração e coleta de pó, assegure-se de que estejam conectados e sejam usados corretamente. *O uso da coleta de pó pode reduzir os riscos associados ao excesso de pó.*
- h) Não deixe que a familiaridade adquirida com o uso da ferramenta o torne complacente e ignore os princípios de segurança da ferramenta. *Uma ação descuidada pode causar danos sérios em uma fração de segundo.*
- #### 4) Uso e cuidados com a ferramenta elétrica
- a) Não force a ferramenta elétrica. Use a ferramenta correta para sua aplicação. *A ferramenta correta fará o trabalho melhor e com mais segurança, com a produtividade para a qual foi projetada.*
- b) Não use a ferramenta elétrica se o interruptor liga/desliga não estiver funcionando. *Qualquer ferramenta que não puder ser controlada com o interruptor liga/desliga é perigosa e deve ser consertada.*
- c) Desconecte o conector de tomada da rede elétrica e/ou a bateria da ferramenta, antes de realizar quaisquer ajustes, trocar acessórios ou de guardá-la. *Estas medidas de segurança preventivas reduzem o risco de se ligar a ferramenta por acidente.*
- d) Guarde a ferramenta elétrica fora do alcance de crianças, quando não estiver em uso, e não permita que pessoas não familiarizadas com a ferramenta, e com estas instruções, a operem. *Ferramentas elétricas são perigosas nas mãos de pessoas não treinadas.*
- e) Conserve as ferramentas elétricas. Verifique o alinhamento ou emperramento das peças móveis, se existem peças quebradas ou outra condição que possa afetar a operação da ferramenta. *Se a ferramenta estiver danificada, providencie o conserto, antes de usá-la. Muitos acidentes são causados por ferramentas mal conservadas.*
- f) Mantenha as ferramentas de corte limpas e afiadas. *Ferramentas de corte com bordas afiadas, quando mantidas corretamente, são menos propensas a emperramentos e mais fáceis de controlar*
- g) Use a ferramenta elétrica, seus acessórios e outros elementos de acordo com estas instruções, considerando as condições de trabalho e o serviço a ser executado. *O uso da ferramenta para operações diferentes daquelas para as quais foi projetada pode resultar em uma situação de risco*

h) Mantenha as empunhaduras secas, limpas e livres de óleo e graxa. *Empunhaduras escorregadias não são seguras para o manuseamento e controle da ferramenta em situações inesperadas.*

5) Serviço

a) Entregue sua ferramenta para reparos a pessoal técnico qualificado, que use apenas peças de reposição originais. *Isto garantirá que a ferramenta continuará oferecendo segurança.*

Segurança adicional para tupias

⚠ AVISO

- **Segure a ferramenta elétrica apenas pelas empunhaduras e superfícies aderentes isoladas, uma vez que o cortador poderá cortar o próprio cabo da ferramenta.** O corte de um cabo eletrificado ("vivo") poderá eletrificar as partes metálicas da ferramenta, provocando um choque no operador.
- **Use uma morsa ou outra forma prática de apoiar e prender a peça de trabalho a uma plataforma firme.** Segurar a peça de trabalho com a mão ou contra o corpo é um arranjo instável que poderá levar à perda de controle.
- **Caso seja necessário trocar o cabo de alimentação, isto deverá ser feito pelo fabricante ou seu agente autorizado, de modo a evitar riscos.**
- **Recomenda-se que a ferramenta seja sempre alimentada por meio de um dispositivo de corrente residual (DR) com especificação nominal de 30 mA ou menos.**
- a) Use equipamento de segurança, incluindo óculos ou escudo de segurança, proteção auricular, máscara contra pó e roupa de proteção, incluindo luvas.
- b) Panos, cabos, cordões, etc. nunca devem ser deixados na área de trabalho.
- c) **Assegure-se de que a voltagem de alimentação da rede elétrica é igual à voltagem indicada na placa de identificação da ferramenta.**
- d) **Certifique-se de que todas as extensões de cabo elétrico, usadas com esta ferramenta, estão em boas condições de segurança, e possuem a capacidade de amperagem exigida pela ferramenta.**
- e) **Desenrole completamente extensões de cabo para evitar possíveis superaquecimentos.**
- f) **Use os detectores apropriados para determinar a existência de possíveis tubulações de gás, água e eletricidade, localizadas abaixo da superfície de trabalho.** Consulte as empresas fornecedoras de água, gás ou eletricidade, se for o caso. O contato com tubulações elétricas poderá provocar choques elétricos e incêndios. Danificar uma tubulação de gás poderá levar a uma explosão. Similarmente, o contato com tubulações de água poderá causar grandes danos na instalação.
- g) **Assegure-se de que todos os objetos embutidos da peça de trabalho, como pregos e parafusos, foram removidos antes de começar a operação.**
- h) **Manuseie as brocas da tupia com cuidado, pois podem estar extremamente afiadas.**
- i) **Antes do uso, verifique a broca com cuidado em busca de sinais de dano ou trincas.** Substitua fresas danificadas ou trincadas, imediatamente.
- j) **Assegure-se de manter as brocas/fresas corretamente afiadas.** Arestas de corte cegas poderão provocar situações de descontrole, incluindo o travamento da ferramenta, aumento de calor e eventuais ferimentos.
- k) **Use SEMPRE ambas as mãos e segure a tupia firmemente antes de continuar qualquer trabalho.**
- l) **Mantenha as empunhaduras e superfícies aderentes limpas, secas e livres de óleo e graxa, para garantir que a ferramenta pode ser empunhada com firmeza durante o uso.**
- m) **Antes de usar a ferramenta para fazer um corte, ligue-a e deixe-a funcionar durante um tempo.** Vibração pode indicar que a broca ou fresa está instalada de forma incorreta.
- n) **Observe o sentido de rotação da fresa e a direção de alimentação da peça de trabalho.**
- o) **Mantenha suas mãos longe da área de corte e da ferramenta de corte.** Ponha sua segunda mão na empunhadura auxiliar ou em uma superfície aderente isolada.
- p) **NUNCA ligue a tupia com a ferramenta de corte em contato com a peça de trabalho.**
- q) **Assegure-se sempre de que a mola da tupia está instalada, quando for realizar cortes segurando a tupia com as mãos.**
- r) **Assegure-se de que a ferramenta de corte parou completamente antes de colocá-la na posição travada do engaste.**
- s) **A velocidade máxima da broca/ferramenta de corte deve ser pelo menos tão elevada quanto a velocidade máxima da ferramenta elétrica.**
- t) **As brocas da tupia poderão ficar quentes durante a operação.** Não as manuseie imediatamente após o uso para evitar risco de queimaduras.
- u) **Não permita que as peças entrem em contato com os materiais consumíveis.**
- v) **O tamanho da haste da broca/ferr. de corte da tupia deve corresponder exatamente ao tamanho do engaste da tupia.** Ferramentas de corte/brocas instaladas incorretamente na tupia irão girar de forma irregular e produzir mais vibração, o que poderá provocar uma perda de controle.
- w) **NÃO o botão de trava do mandril, nem tente colocar a ferramenta em modo de troca de broca, enquanto a ferramenta estiver ligada.**
- x) **mantenha a pressão constante enquanto estiver cortando a peça de trabalho, deixando que a broca dite a velocidade de corte.** NÃO force a ferramenta, o que sobrecarregaria o motor.
- y) **Certifique-se de que as etiquetas com as especificações da tupia podem ser lidas com facilidade e troque-as caso não possam mais ser lidas com clareza ou se danificarem.**
- z) **Quando operar a tupia, esteja preparado para o travamento da ferramenta de corte na peça de trabalho, que pode provocar uma perda de controle.** Assegure-se sempre de que está segurando a tupia firmemente e de que solta o botão liga/desliga imediatamente, caso essa condição seja perdida.
- **Após ligar a tupia, verifique se a broca da tupia está girando uniformemente (sem 'oscilar') e se não existe vibração adicional devido a instalação incorreta da broca.** O uso da tupia com uma broca instalada incorretamente poderá provocar perda de controle e ferimentos graves.

- Deve ser tomado cuidado **EXTREMO** quando se usam ferramentas de corte com diâmetro maior do que 50 mm (2"). Use taxas de alimentação muito lentas e/ou múltiplos cortes rasos, para evitar sobrecarga do motor.
- **SEMPRE desligue e aguarde a ferramenta de corte parar completamente de girar, antes de retirá-la da peça de trabalho.**
- **Desconecte a ferramenta da alimentação elétrica, antes de realizar qualquer ajuste, manutenção ou limpeza.**
- **Mesmo quando a ferramenta é usada conforme prescrito, não é possível eliminar todos os fatores de risco residuais.** Caso tenha alguma dúvida com relação ao uso seguro desta ferramenta, não a use.

⚠ **AVISO: Os pós produzidos pelo uso de ferramentas elétricas podem ser tóxicos.** Alguns materiais podem ter tratamento ou revestimento químico e criar um risco tóxico. Alguns materiais naturais ou compostos podem conter substâncias tóxicas. Algumas pinturas velhas poderão conter chumbo ou outras substâncias químicas. Evite a exposição prolongada ao pó produzido pela operação da tupa. NÃO permita que o pó atinja sua pele ou olhos, e não deixe que entre em sua boca, de modo a evitar a absorção de substâncias químicas nocivas. Onde possível, trabalhe em uma área bem ventilada. Use uma máscara contra poeira e um sistema de coleta de pó, sempre que possível. Onde houver uma frequência de exposição maior, é mais importante que todas as precauções de segurança sejam seguidas e que seja usado um maior nível de proteção individual.

⚠ AVISO:

Alguns pós, produzidos pelas operações de lixamento, serragem, esmerilamento e perfuração, efetuadas com ferramentas elétricas, contêm substâncias químicas, conhecidas no estado da Califórnia por provocar câncer, doenças congênitas e outras doenças reprodutivas. Alguns exemplos dessas substâncias químicas, incluem:

- Chumbo de tintas à base de chumbo
- Sílica cristalina de tijolos e cimento e outros produtos de alvenaria, e
- Arsênico e cromo de borrachas tratadas quimicamente

O risco a que você se expõe, devido a essas substâncias, depende da frequência com que você faz esses respectivos tipos de trabalho. Para reduzir sua exposição a essas substâncias químicas: trabalhe em áreas bem ventiladas e com os equipamentos de segurança aprovados, como máscaras respiratórias especificamente concebidas para filtrar partículas microscópicas.

Familiarização com o produto

1. Unidade do motor
2. Unidade da base
3. Pino (x 4)
4. Tambor do motor
5. Tampa de acesso às escovas do motor (x 2)
6. Parafuso da tampa de acesso às escovas do motor (x 2)
7. Saídas de ar do motor
8. Controlador de velocidade
9. Tampa de segurança do interruptor
10. Interruptor liga/desliga
11. Cabo de alimentação da unidade do motor

12. Botão de trava do eixo
13. Engaste
14. Empunhadura principal
15. Gatilho liga/desliga
16. Botão de trava do gatilho liga/desliga
17. Soquete
18. Indicador de profundidade
19. Ranhura
20. Empunhadura auxiliar
21. Bocal de extração de pó
22. Braçadeira de trava
23. Parafuso de fixação da placa da base
24. Placa da base
25. Base
26. Fenda de instalação da guia paralela (x 2)
27. Parafuso de fixação da guia paralela (x 2)
28. Cabo de alimentação principal
29. Parafusos da placa da base (4 x ¼ UNC)
30. Aba de montagem da placa-base
31. Aba de fixação da bucha-guia (x 2)
32. Parafuso de fixação da placa de montagem da bucha-guia (x 2)
33. Placa de montagem da bucha-guia

Acessórios

Nota: Não fornecido com todas as kits.

34. Engaste de ¼"
35. Chave (x 2)
36. Adaptador para bucha-guia
37. Guia paralela

Imagem J

38. Marca zero
39. Linha de índice

Imagem L

- a) Ferramenta de corte
- b) Bucha-guia
- c) Modelo
- d) Peça de trabalho
- e) Offset (diferença)

Uso pretendido

Tupia de base fixa manual alimentada por tomada elétrica. Usada para corte de perfis, ranhuras e bordas em madeira (natural e composta), e plásticos. Usada, também, com buchas-guia e templates, no corte de formas e acompanhamento de modelos, como tupia estacionária na Mesa de Tupia Triton, dentro do Workcentre Triton e em outros sistemas de mesa apropriados.

A ferramenta só deve ser usada com brocas de corte rotativas projetadas para cortar e modelar madeira. Não é adequada para uso com brocas projetadas para outros usos como esmerilhar, lixar etc.

Produto para uso não comercial.

A ferramenta só deve ser usada para a finalidade prescrita. Qualquer tipo de uso não mencionado neste manual será considerado um caso de mau uso. O usuário, e não o fabricante, é responsável por todos os danos e ferimentos decorrentes dos casos de mau uso. O fabricante não se responsabilizará por modificações feitas na ferramenta, nem por quaisquer danos que resultem de tais modificações.

Desembalagem da sua ferramenta

- Desembale e inspecione cuidadosamente a sua ferramenta. Familiarize-se com todos os seus recursos e funções.
- Certifique-se de que todas as peças do produto estão presentes e em bom estado.
- Caso estejam faltando peças, ou existam peças danificadas, substitua-as primeiro, antes de tentar usar o produto.

Antes do uso

⚠ **AVISO:** Assegure-se de que a ferramenta está desconectada da fonte de alimentação, antes de instalar ou trocar acessórios, ou fazer quaisquer ajustes.

IMPORTANTE: Nunca aperte o engaste sem uma ferramenta de corte instalada. Apertar um engaste vazio pode danificar a engaste.

Conexão do motor à base

IMPORTANTE: Para evitar danos ao cabo de alimentação da unidade do motor (11), certifique-se de que ele esteja desconectado do soquete (17) antes de conectar a unidade do motor (1) (Imagem B).

1. Solte a braçadeira de travamento (22) (Imagem A)
2. Insira o motor na base (2), alinhando o pino-guia inferior (3) com a ranhura (19) na base (Imagem B)
3. Gire o motor no sentido horário, na base, até que o pino-guia superior esteja firmemente assentado na ranhura da base
4. Aperte firmemente a braçadeira de travamento

Nota: A pressão aplicada pela braçadeira de travamento pode ser ajustada usando o parafuso de ajuste (Imagem A / a)

Instalação do engaste e ferramenta de corte

⚠ **AVISO:** Use luvas de proteção quando instalar e remover ferramentas de corte devido às bordas afiadas.

1. Certifique-se de que a tupa está DESLIGADA e que a tampa de segurança do interruptor (9) está fechada
2. Remova o motor (1) da base (2):
 - a. Abra a braçadeira de travamento (22) (Imagem A)
 - b. Segure a base e gire a unidade de motor no sentido anti-horário, até que o pino-guia inferior (3) seja desengatado da ranhura (19) na base
 - c. Remova o motor da base
3. Coloque o motor de lado em uma bancada com o engaste (13) apontando para longe de você
4. Pressione o botão de trava do fuso (12) e, usando a chave inglesa (35), gire o engaste levemente para engatar a trava do fuso
5. Continue pressionando o botão de travamento do fuso e afrouxe o engaste, girando-o no sentido anti-horário até à remoção (Imagem C)
6. Selecione o engaste desejado e instale-o no mandril rosado, aparafusando o engaste no sentido horário, mas sem apertar totalmente

7. Insira a fresa de tupa requerida no engaste, garantindo que pelo menos 20 mm ou metade da haste (o que for maior) seja inserido no engaste
8. Pressione o botão de travamento do fuso e, usando a chave inglesa, gire o engaste no sentido horário para apertar a fresa de tupa

Nota: Quando montada na mesa da tupa Triton, a trava do fuso não fica acessível. No entanto, o fuso pode ser travado com uma segunda chave. Veja a imagem D

Coleta de pó

A tupa Triton é equipada com um bocal de extração de pó (21) para extração das serragens por cima do corte. (Consulte 'Especificação' para saber a compatibilidade dos tamanhos de bocal com seu sistema de extração.)

Guia de corte

Nota: A Guia de corte (37) não é fornecida em todos os kits

1. Insira a Guia de corte nas fendas de instalação (26), da base (2) e fixe-a usando os parafusos de fixação da guia (27).

Instalação da bucha-guia e placa de montagem

Nota: a tupa é fornecida com uma Placa de montagem da bucha-guia (33), que é compatível com todas as buchas-guia da Triton, usadas no corte com modelos.

Nota: a tupa pode ser usada normalmente com a Placa de montagem da bucha-guia conectada à Placa da base (24). Consulte a 'Especificação' para saber o diâmetro máximo da ferramenta de corte com e sem a placa de montagem da bucha-guia conectada.

Remoção da placa de montagem da bucha-guia (Imagem E):

1. Inverta a tupa de modo a apoiá-la nas Saídas de ar do motor (7), de modo que a Placa da base (24) fique virada para cima
2. Solte os 2 parafusos de fixação da placa de fixação da bucha-guia (32)
3. Remova a placa de fixação da bucha-guia (33)

⚠ **AVISO:** Verifique SEMPRE se a Placa de montagem da bucha-guia está alinhada corretamente. O orifício da placa de montagem deve ficar centralizado na base da tupa para permitir um uso seguro com as buchas-guia e fresas da tupa. Um alinhamento incorreto poderia danificar a tupa, a placa, a bucha-guia, a fresa da tupa e causar ferimentos pessoais sérios.

Instalação das buchas-guia (Imagem F):

Nota: A tupa não é fornecida com buchas-guia; contudo, os conjuntos de buchas podem ser adquiridos como acessórios opcionais em seu revendedor Triton.

Nota: Assegure que a Placa de montagem da bucha-guia (33) está instalada (consulte acima).

1. Afrouxe os 2 parafusos de fixação da placa de fixação da bucha-guia e certifique-se de que as 2 guias de fixação da bucha-guia (31) estejam voltadas para a borda externa da Base da tupa (25)
2. Alinhe os entalhes da bucha-guia com os parafusos e coloque no rebaixo da placa de fixação da bucha-guia (33)
3. Gire as abas de fixação para ficarem de frente para a bucha-guia e, em seguida, aperte os parafusos de fixação da bucha-guia para prendê-la no lugar
4. Para remover a bucha-guia, siga as instruções acima na ordem inversa

Adaptador de bucha-guia do portador de cabo

O Adaptador da bucha-guia (36) é instalado da mesma forma que uma bucha-guia Triton - Consulte "Instalação de buchas-guia" acima. O adaptador pode ser usado para instalar a variedade de buchas de guia de cabo de Porter.

Operação

⚠ **AVISO:** Use SEMPRE proteção ocular, auricular e respiratória, bem como luvas apropriadas, quando trabalhar com esta ferramenta.

Acionamento e Desligamento

Nota: A tampa de segurança do interruptor (9) impede que a tupa seja ligada acidentalmente. Ela deve ser retirada para que a tupa possa ser ligada. A tampa de segurança do interruptor permanecerá aberta até que a tupa seja desligada.

Nota: Tanto o interruptor basculante ON / OFF como o interruptor de gatilho principal devem estar na posição ON para ativar o motor.

Quando usada com base:

1. Certifique-se de que a fresa não entrará em contato com nenhum objeto estranho quando a tupa estiver LIGADA
2. Conecte o cabo de alimentação do motor (11) ao soquete de alimentação (17) na empunhadura principal (14) da base (2) (imagem G)
3. Conecte o cabo de alimentação principal (28) à fonte de alimentação elétrica
4. Deslize a tampa de segurança do botão (9) para trás para revelar o botão basculante ON / OFF (Imagem H)
5. Para ligar, pressione o botão basculante ON / OFF até à posição 'I'. Enquanto o botão basculante ON / OFF estiver nesta posição, a tampa de segurança do botão será impedida de cobrir novamente o botão basculante ON / OFF
6. Para desligar, pressione o botão basculante ON / OFF até à posição 'O'. A tampa de segurança do botão deslizará de volta para sua posição original
7. Para ativar o motor, aperte o interruptor de gatilho (15) na empunhadura principal (14)
8. Para travar o botão de gatilho na posição ON, pressione e segure o botão de trava do botão de gatilho (16) e solte o botão de gatilho. A ferramenta continuará a funcionar até que o botão de gatilho seja pressionado novamente, o que desativará o bloqueio

Nota: O botão basculante ON / OFF acenderá quando o gatilho for ativado

Quando usada com o Workcentre Triton:

1. Certifique-se de que a fresa não entrará em contato com nenhum objeto estranho quando a tupa estiver LIGADA
2. Conecte o cabo de alimentação do motor diretamente à tomada do Workcentre
3. Para ligar, pressione o botão basculante ON / OFF até à posição 'I'. Enquanto o botão basculante ON / OFF estiver nesta posição, a tampa de segurança do botão será impedida de cobrir novamente o botão basculante ON / OFF
4. Para desligar, pressione o botão basculante ON / OFF até à posição 'O'. A tampa de segurança do botão deslizará de volta para sua posição original
5. Use o botão ON / OFF do Workcentre para ativar a ferramenta

Luzes de trabalho

- A tupa é equipada com luzes de trabalho na base da unidade do motor.
- As luzes acenderão quando o motor for ativado
- Há um atraso momentâneo depois que a unidade é ligada antes que as luzes sejam ativadas

Controle de velocidade variável

Nota: As configurações de velocidade da tupa não são críticas. Normalmente, deve ser usada a maior velocidade que não provoque marcas de queimadura na peça de trabalho. Siga sempre os limites de velocidade especificados pelo fabricante, quando apresentados.

- A operação em velocidades mais baixas aumenta o risco de danos à tupa devido a sobrecarga. Use taxas de alimentação da peça de trabalho muito lentas e/ou faça múltiplos cortes rasos.
- Fresas maiores que 2 1/2" podem ser usadas ao operar a tupa em velocidades mais baixas. Se a fresa estiver entre 2 1/2" e 3", você só pode usar as configurações de velocidade de 10.000 ou 12.000 RPM. Se a fresa estiver entre 3" e 3 1/2", você só pode usar a configuração de velocidade de 10.000 RPM.
- O Controlador de velocidade (8) tem marcas de 1 a 6, que correspondem aproximadamente às velocidades e diâmetros de cortes mostrados abaixo. Gire o controlador para selecionar a velocidade requerida (Imagem I)

Configuração	min ⁻¹ (RPM)
6	21.000
5	19.000
4	16.000
3	14.000
2	12.000
1	10.000

Importante: Em operação de baixa e média velocidade, a velocidade é controlada para evitar que a velocidade do motor diminua. Se você esperar ouvir uma redução de velocidade e continuar aumentando a carga no motor, poderá danificá-lo por superaquecimento. Reduza a profundidade de corte e/ou diminua a taxa de avanço para evitar danos à ferramenta.

Recomenda-se que a velocidade seja definida antes de tocar a peça de trabalho com a fresa de tupa em funcionamento. Se for necessário alterar a velocidade após o início do trabalho, pare a tupa, retire a fresa da peça de trabalho e ajuste a configuração de velocidade.

Ajuste de profundidade de corte

1. Afrouxe a braçadeira de travamento (22) (Imagem A)
2. Enquanto segura a base (2), gire o motor (1), no sentido anti-horário, até que a ponta da fresa esteja acima da superfície inferior da placa de base (24)
3. Coloque a tupa em uma superfície plana de madeira
4. Gire o motor no sentido horário até que a fresa da tupa toque a superfície da madeira

5. Aperte a braçadeira de bloqueio
6. Gire o Medidor de Profundidade (18) até que a Marca Zero (38) esteja oposta à Linha de Índice (39) na caixa (Imagem J)
7. Afrouxe a braçadeira de travamento (22)
8. Incline a tupa para que a fresa fique longe da superfície da madeira. Gire o motor (1), no sentido horário até que a linha de índice (39), na carcaça do motor, atinja a profundidade desejada indicada no medidor de profundidade
9. Aperte a braçadeira de travamento com firmeza
 - Definir a linha de índice em $\frac{1}{4}$ ", no Medidor de profundidade, significa que a borda cortante da fresa fica exposta $\frac{1}{4}$ " abaixo da base
 - Uma volta completa do motor é igual a 1" de profundidade de corte

Realização de cortes

⚠ **AVISO:** O motor não se destina a uso manual portátil, sem estar fixado à unidade base. Lesões graves podem resultar do não atendimento destas instruções.

Nota: NUNCA use a tupa à mão livre sem algum tipo de guia. Uma guia pode ser obtida por meio de uma fresa de tupa com rolamentos, uma borda reta, ou guias específicas como a Guia paralela (37) (não fornecido com todas as kits).

Nota: Quando operar com uma borda reta, calcule a posição do corte requerido, na peça de trabalho, verificando a distância do centro da ferramenta de corte à borda externa da Base da tupa.

1. Segure SEMPRE a tupa com ambas as mãos, pelas empunhaduras existentes. Garanta que a peça de trabalho não se move. Use abraçadeiras sempre que possível.
2. Deixe que o motor atinja sua velocidade de operação normal.
3. Abaixe a broca da tupa na peça de trabalho enquanto desloca a tupa lentamente, mantendo a Placa da base (24) firme contra a peça de trabalho.
4. Caso esteja cortando uma borda, a peça de trabalho deve ficar no lado esquerdo em relação ao sentido de corte (Imagem K / a-d).
5. Mantenha a pressão constante e deixe a ferramenta trabalhar uniformemente no material. Esteja ciente de que nós e outras variações na madeira diminuirão a taxa de progresso.

Nota: Para evitar trepidação da broca, oriente o corte no sentido anti-horário (Imagem K / b-c), no caso de cortes externos, e no sentido horário, no caso de corte internos (Imagem K / d).

Nota: A movimentação rápida demais da tupa poderá resultar em baixa qualidade do acabamento e sobrecarga do motor. Mover a tupa muito lentamente poderá resultar no superaquecimento da peça de trabalho.

Nota: Não use a tupa de cabeça para baixo, a menos que seja fixada firmemente em uma mesa de tupa com as devidas proteções (por ex. mesa da marca Triton).

Buchas guia modelo (Imagem L)

- Existem diversas buchas guia modelo à disposição para uso com a tupa.
- O seu revendedor local Triton também possui kits de acessórios à venda.
- Consulte 'Instalação da bucha-guia e placa de montagem'
- Modelos de corte são usados com uma bucha-guia (não fornecida) (Imagem L / b) para permitir que a tupa corte um padrão na peça de trabalho e são usados para cortar formas repetidas de maneira consistente.

- Quando usar um modelo e a bucha-guia, o corte na peça de trabalho será diferente do espaço no modelo e o Offset (diferença) (Imagem L / e) da bucha-guia deve ser considerada, antes de se iniciar o corte.
- Para considerar o Offset (diferença), use esta fórmula: Offset = Diâmetro externo da bucha-guia - Diâmetro da fresa de tupa
- Modelos e gabaritos podem ser feitos a partir de uma variedade de materiais como madeiras compensadas, plásticos ou metais.

Operação em mesa

⚠ **AVISO:** Quando usada com o Módulo de mesa de tupa do Centro de trabalho Triton, TWX7RT001, o diâmetro máximo da ferramenta de corte é de 2". Isto é definido pela especificação do TWX7RT001.

Nota: Embora este produto tenha sido desenhado para operar de forma eficiente e conveniente com a maioria das mesas de tupa, ele é particularmente adequado às Mesa de tupa TWX7RT001 da Triton.

⚠ **AVISO:** Quando usado com uma mesa de tupa de terceiros, consulte a seção 'Especificação' deste manual para o diâmetro máximo de corte da tupa. Consulte as instruções fornecidas com a mesa da tupa para obter o diâmetro máximo de corte da mesa da tupa.

Nota: A instalação e utilização desta tupa em uma mesa de tupa de terceiros devem ser realizadas de acordo com a documentação fornecida com a mesa de tupa.

Nota: Os ajustes de tupa são extremamente fáceis devido às características exclusivas descritas anteriormente neste manual. Consultar 'Instalação do engaste e ferramenta de corte' e 'Ajuste de profundidade de corte'.

Acesso às roscas dos parafusos da base

1. Para instalar a tupa em uma mesa de tupa de terceiros, ou em uma mesa particular construída por você, remova os 4 parafusos da placa da base (29) (Imagem M), e remova a placa da base (24)
2. Existem as 4 x rosca de $\frac{1}{4}$ UNC, usadas para prender a base (25), e também adequadas para instalação em mesa
3. Consulte as dimensões de espaçamento dos furos de parafuso da Placa-base, na Imagem N

Acessórios

- Seu revendedor Triton possui uma ampla linha de acessórios adequados a esta ferramenta, incluindo uma grande seleção de fresas de tupa, um guia paralela, engastes e buchas-guia.
- Peças de reposição, incluindo buchas, buchas guia e engastes também podem ser encontradas à venda em seu revendedor Triton ou no site www.toolsparsonline.com.

Manutenção

⚠ **AVISO:** SEMPRE desconecte a ferramenta da alimentação elétrica, antes de realizar qualquer manutenção/limpeza.

Inspeção geral

- Verifique regularmente se todos os parafusos de fixação estão apertados.
- Inspeccione o cabo de energia da ferramenta, antes de cada utilização, em busca de desgaste ou danos. Reparos devem ser realizados em um Centro de Serviços Triton. Esta orientação também se aplica a reparos nos cabos de alimentação elétrica da ferramenta.

Limpeza

⚠ **AVISO:** Use SEMPRE equipamento de proteção, incluindo proteção ocular e luvas, quando limpar esta ferramenta.

- Mantenha sua ferramenta limpa o tempo todo. A sujeira e o pó produzem desgaste acelerado das peças internas e encurtam a vida útil da ferramenta.
- Limpe o corpo de sua ferramenta com uma escova macia e pano seco.
- Nunca use agentes cáusticos para limpar peças plásticas. Caso não seja suficiente uma limpeza seca, recomenda-se o uso de um pano úmido com detergente suave.
- Água não deve nunca entrar em contato com a ferramenta.
- Assegure-se de que a ferramenta está completamente seca, antes de usá-la.
- Se houver ar comprimido disponível, use-o para soprar a sujeira nos orifícios de ventilação (onde aplicável).

Lubrificação

- Esta ferramenta foi lubrificada com uma quantidade suficiente de lubrificante de alto grau para a vida útil da unidade em condições normais de operação. Nenhuma lubrificação adicional é necessária

Escovas

- Com o tempo, as escovas de carbono do motor poderão ficar gastas.
- Escovas excessivamente gastas, podem causar perda de potência, falhas intermitentes, ou centelhamento visível.

Para trocar as escovas:

1. Remova a tampa de acesso à escova (5) (imagem O)
2. Desfaça o parafuso de fixação do conjunto da escova (Imagem P)
3. Deslize o conjunto da escova parcialmente para fora e remova o conector da fixação (Imagem Q)
4. Remova o conector elétrico da escova (Imagem R / a), mova a mola para o lado (Imagem R / b) e remova cuidadosamente a escova gasta (Imagem R / c)
5. Certifique-se de que os soquetes estão limpos
6. Substitua com cuidado por uma escova nova
7. Deslize o conjunto da escova parcialmente de volta ao lugar e reconecte os conectores elétricos
8. Empurre o conjunto totalmente para dentro e prenda usando o parafuso
9. Certifique-se de que a mola está localizada corretamente para que aplique pressão na parte superior da nova escova
10. Substitua a tampa de acesso à escova
11. Repita as etapas 1 a 10 para a outra escova
12. Depois de encaixar as duas escovas, opere a tupa sem carga, por 2-3 minutos, para ajudar a assentar as escovas

Nota: O processo completo de assentamento poderá requerer várias utilizações. O centelhamento no motor poderá continuar até que as novas escovas de carbono tenham assentado.

- Alternativamente, leve a máquina a um Centro de Serviço Autorizado da Triton.

Armazenamento

- Armazene esta ferramenta com cuidado na caixa fornecida
- Guarde esta ferramenta com cuidado, em um lugar seguro e seco, fora do alcance de crianças.

Contato

Para obter orientações sobre serviços técnicos e de reparos, contate a linha de assistência (gratuito): 855-227-3478

Web: www.tritontools.com

Endereço:

Longleaf Distribution
85 North Street
Piedmont
AL 36272
EUA

Descarte

Cumpra sempre as leis nacionais ao descartar ferramentas elétricas que não funcionam mais e cujo reparo não é mais viável.

- Não descarte ferramentas elétricas, ou outros equipamentos elétricos e eletrônicos (WEEE) no lixo doméstico.
- Contate a autoridade local de eliminação de resíduos para saber o modo correto de descartar ferramentas elétricas.

Resolução de problemas

Problema	Possível causa	Solução
A ferramenta não funciona quando se aciona o Interruptor liga/desliga (10)	Não há energia	Verifique a fonte de alimentação elétrica
	Interruptor liga/desliga danificado	Troque o interruptor liga/desliga em um Centro de Serviços Autorizado da Triton
Perfil de corte sem precisão	Ferramenta de corte/Engaste (13) instalados incorretamente ou soltos	Aperte o conjunto ferramenta de corte/engaste
A tupa não funciona	A energia elétrica não está chegando à tupa	Verifique se existe energia elétrica na fonte
	Escovas gastas ou aderentes	Desconecte a energia, abra as tampas de acesso às escovas do motor (5) e assegure-se de que as escovas não estão excessivamente gastas ou danificadas
	O interruptor está defeituoso	Leve a máquina a um Centro de Serviços Autorizado da Triton
	Componentes do motor defeituosos ou em curto-circuito	
A tupa se desloca ou corta lentamente	Ferramenta de corte cega ou danificada	Amole ou troque a ferramenta de corte
	Controlador de velocidade (8) na velocidade baixa	Aumente o ajuste de velocidade variável
	Motor sobrecarregado	Diminua a força que exerce sobre a tupa
Vibração excessiva	Ferramenta de corte solta ou instalada incorretamente	Reinstale ou aperte a ferramenta de corte
	Ferramenta de corte curvada ou danificada	Substitua a ferramenta de corte
Centelhamento intenso dentro do alojamento do motor	As escovas não estão se movendo livremente	Desconecte a energia elétrica, remova as escovas, e limpe ou troque-as
	Motor danificado ou desgastado	Leve a máquina a um Centro de Serviços Autorizado da Triton
Faz um som incomum	Obstrução mecânica	Leve a máquina a um Centro de Serviços Autorizado da Triton
	Danos nos enrolamentos internos	

Garantia

Para registrar sua garantia, visite nosso site em tritontools.com* e cadastre suas informações.

Registro de compra

Data de compra: ___/___/___

Modelo: TFBRO01

Retenha sua nota fiscal como comprovante de compra.

A Triton Precision Power Tools garante ao comprador deste

produto que se qualquer peça estiver comprovadamente defeituosa devido a falhas de material ou mão de obra durante os próximos 3 anos a partir da data da compra original, Triton irá reparar ou, a seu critério, substituir a peça defeituosa sem custo. Esta garantia não se aplica ao uso comercial nem se estende ao desgaste normal ou a danos decorrentes de acidente, abuso ou uso indevido.

* Registre-se online dentro de 30 dias após a compra.

Termos e condições aplicáveis.

Isto não afeta seus direitos legais.

