

EN Operating & Safety Instructions

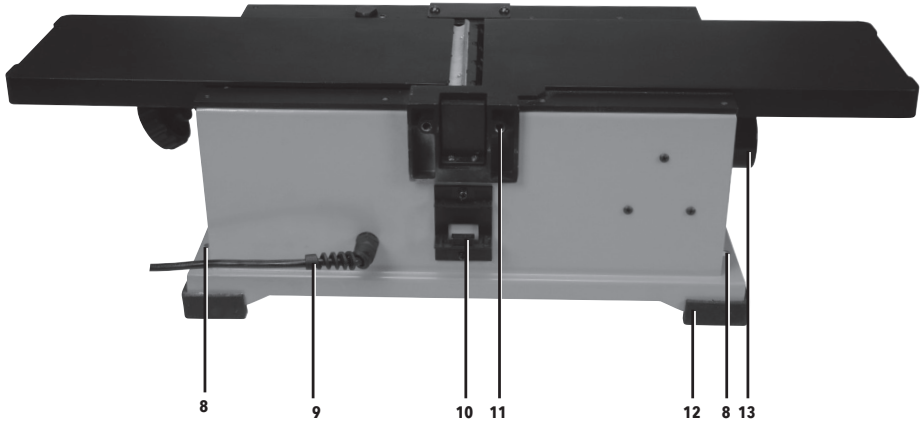
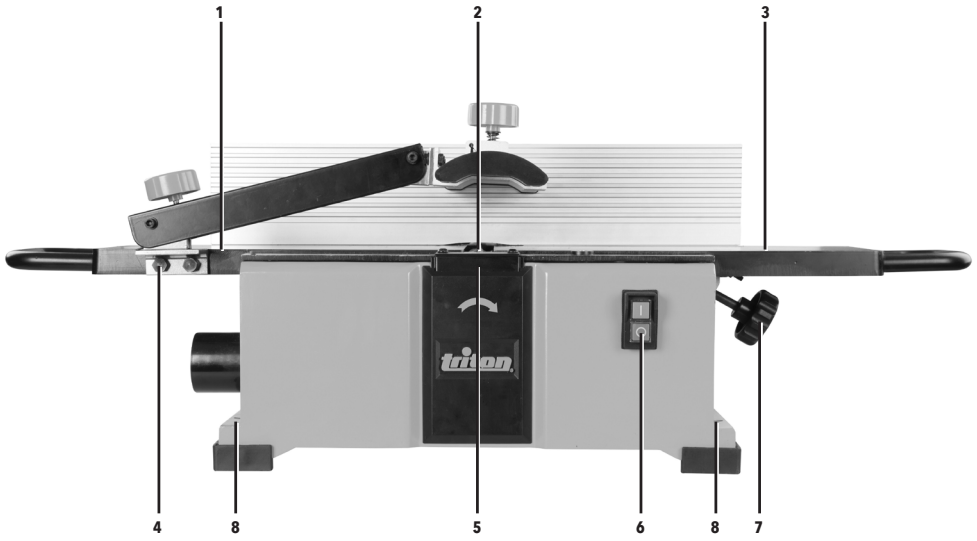
- NL** Bedienings- en veiligheidsvoorschriften
- FR** Instructions d'utilisation et consignes de sécurité
- DE** Sicherheits- und Bedienungsanleitung
- IT** Istruzioni per l'uso e la sicurezza
- ES** Instrucciones de uso y de seguridad
- PT** Instruções de Operação e Segurança
- PL** Instrukcja obsługi i bezpieczeństwa
- CZ** Provozní a bezpečnostní pokyny

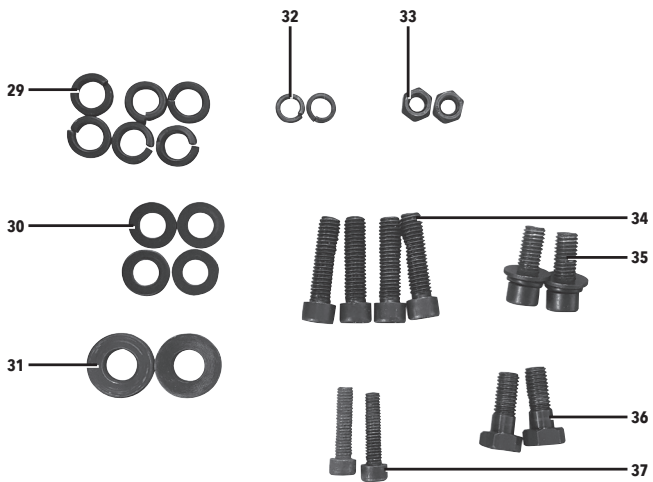
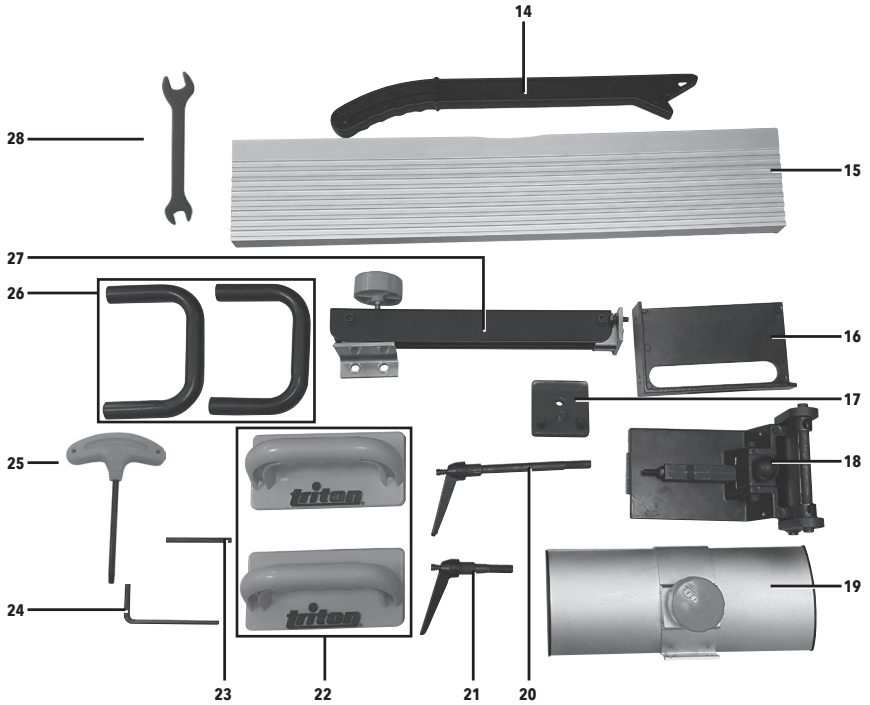


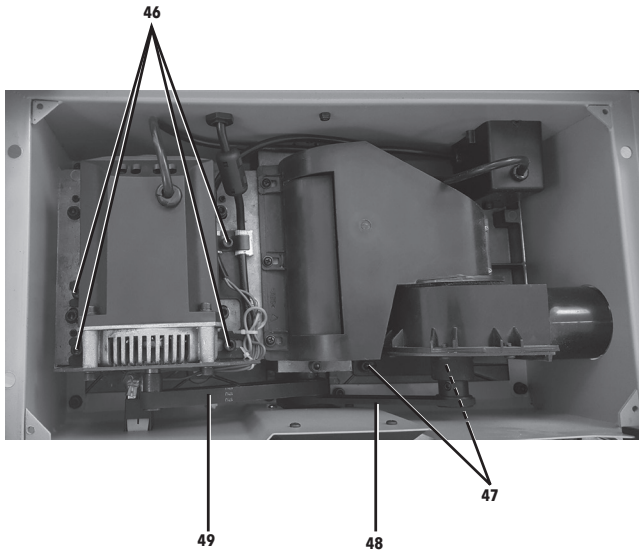
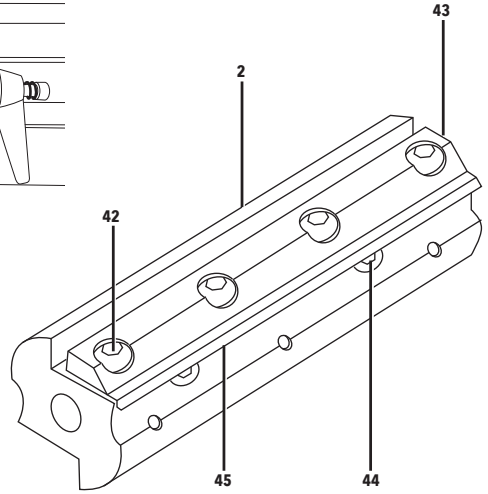
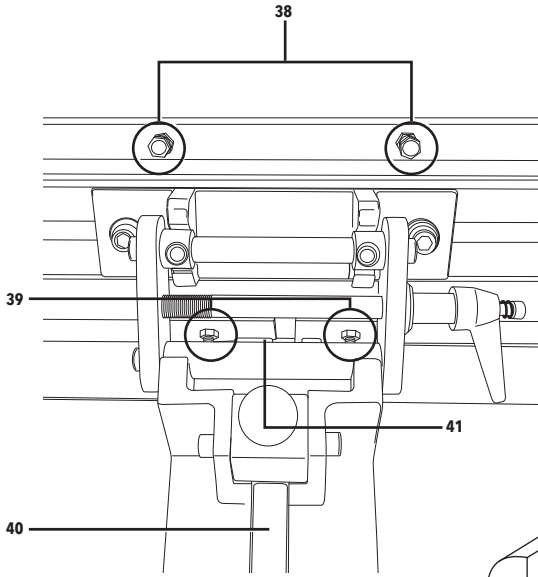
Version date: 15.02.24

Designed in Europe 

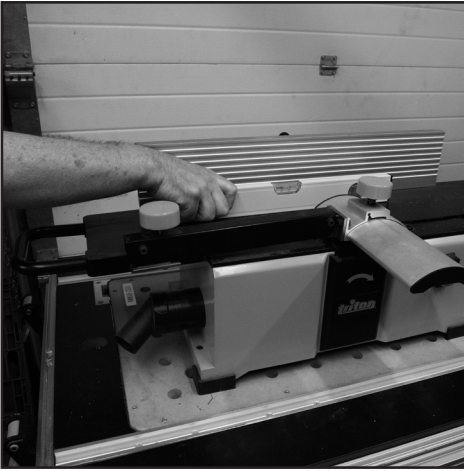




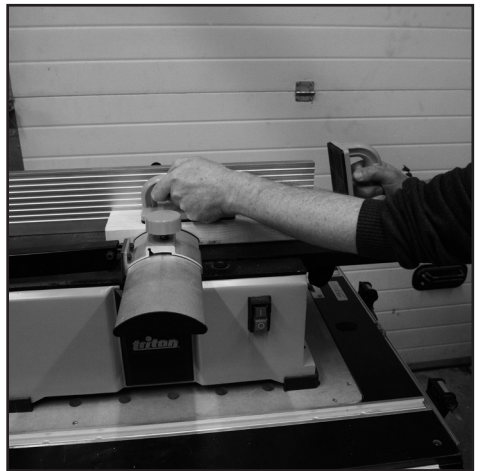




A



B



C



D

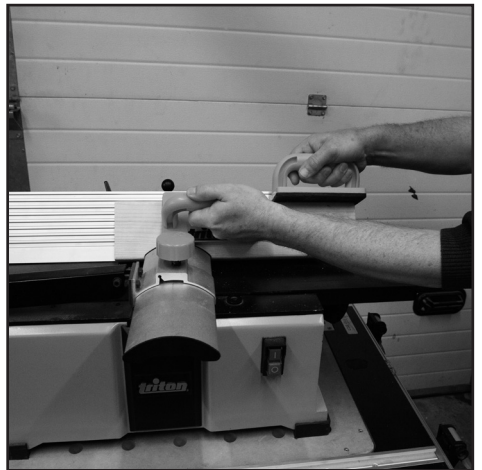


Fig.I

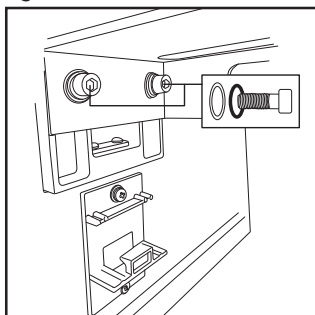


Fig.II

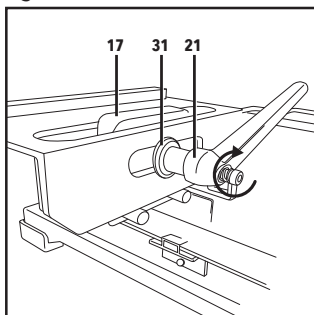


Fig.III

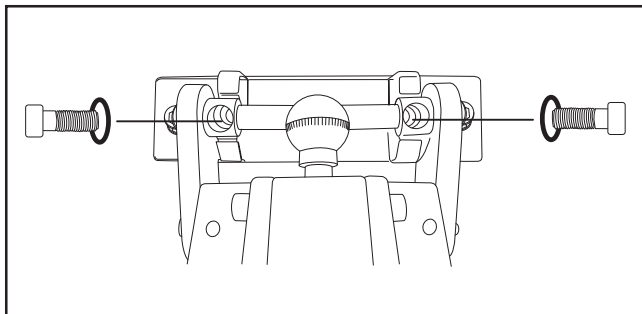


Fig.IV

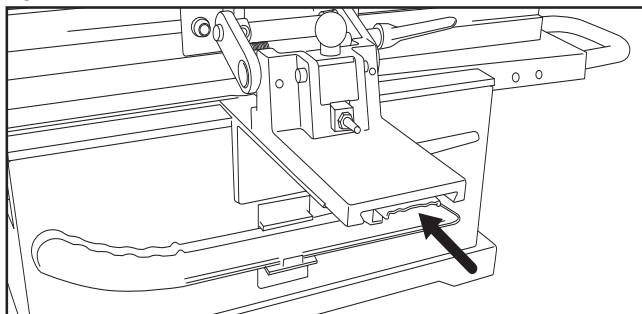


Fig.V

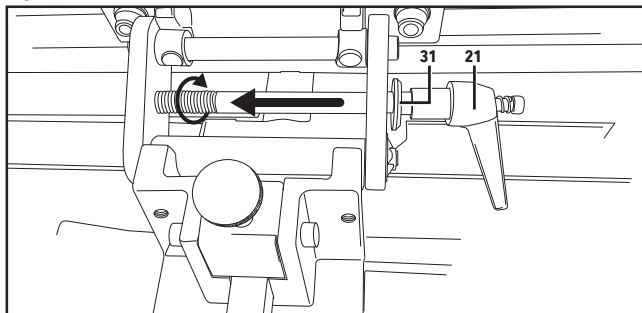


Fig.VI

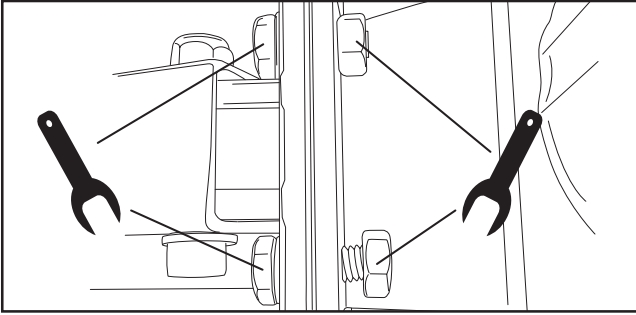


Fig.VII

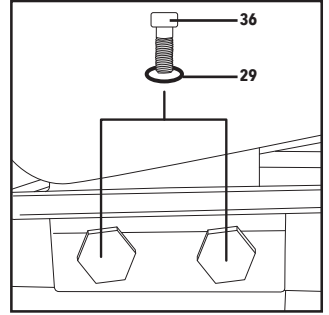


Fig.VIII

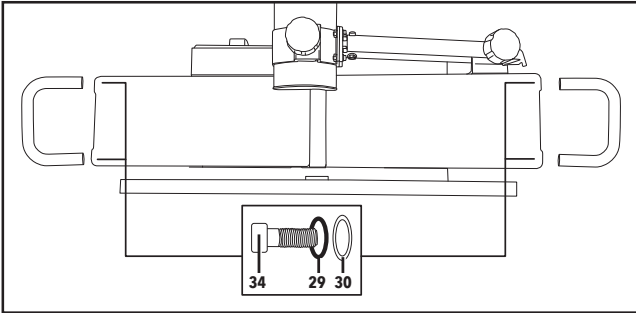


Fig.IX

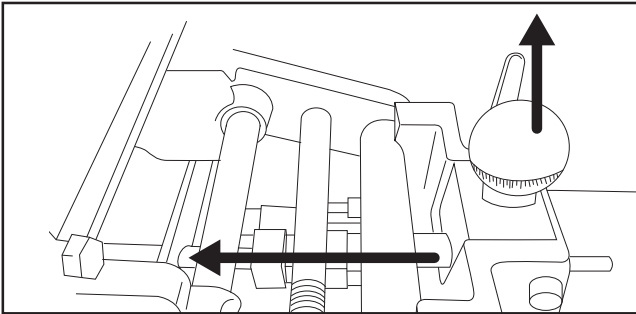


Fig.X

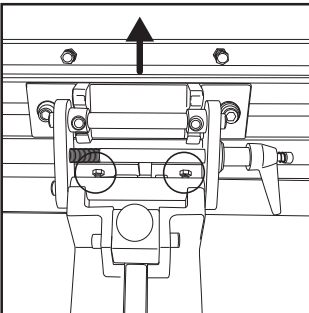


Fig.XI

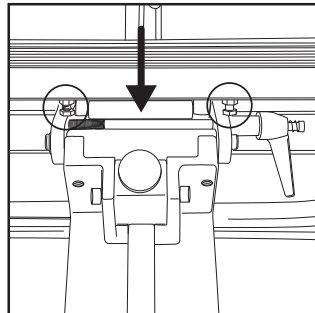


Fig.XII

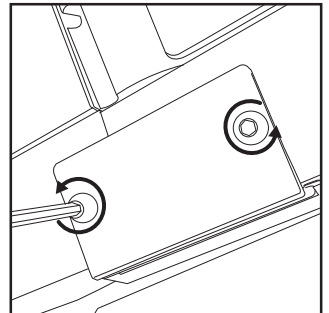


Fig.XIII

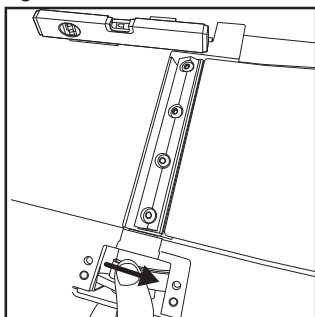


Fig.XIV

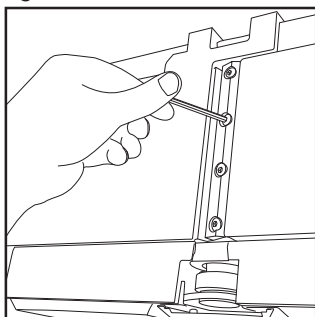


Fig.XV

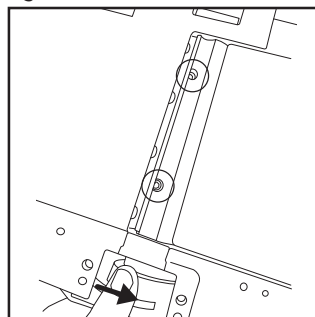


Fig.XVI

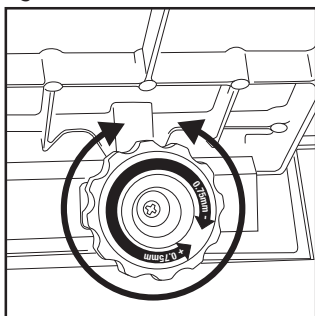


Fig.XVII

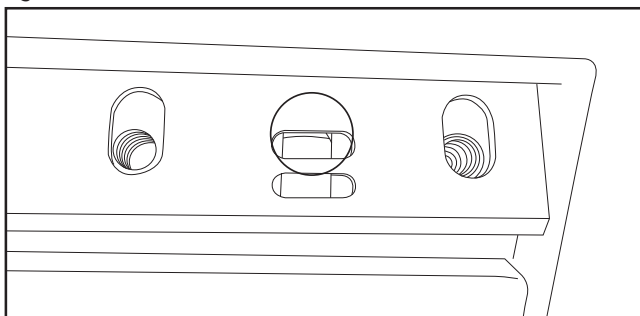
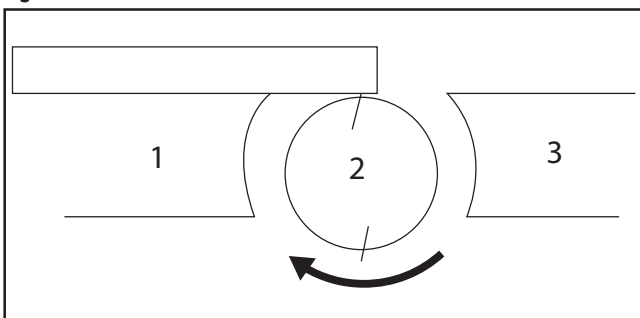


Fig.XVIII



Original Instructions

Introduction

Thank you for purchasing this Triton product. This manual contains information necessary for safe and effective operation of this product. This product has unique features and, even if you are familiar with similar products, it is necessary to read this manual carefully to ensure you fully understand the instructions. Ensure all users of the product read and fully understand this manual. Keep these instructions with the product for future reference.

Description of Symbols

The rating plate on your tool may show symbols. These represent important information about the product or instructions on its use.



Wear hearing protection
Wear eye protection
Wear breathing protection
Wear head protection



Wear hand protection



Read instruction manual



DO NOT use in rain or damp environments!



Always disconnect from the power supply when adjusting, changing accessories, cleaning, carrying out maintenance and when not in use!



WARNING: Moving parts can cause crush and cut injuries.



Do not touch the blades before the machine is disconnected from the supply and the blades have come to complete stop.



WARNING: LIFTING HAZARD

Single Person Lift could cause injury
Use assistance when moving or lifting

WARNING: This product is heavy and as a precaution it is advised that two people assemble the tool.



Class I construction (protective earth)



Environmental Protection

Waste electrical products should not be disposed of with household waste. Please recycle where facilities exist. Check with your local authority or retailer for recycling advice.



Conforms to relevant legislation and safety standards.



Caution!



Be aware of kickback!



For indoor use only!



Dust extraction required or recommended

Technical Abbreviations Key

V	Volts
~	Alternating current
A, mA	Ampere, milli-Amp
n_0	No load speed
Nm	Newton metres (torque)
psi	Pounds per square inch
°	Degrees
Hz	Hertz
W, kW	Watt, kilowatt
min ⁻¹	Operations per minute
dB(A)	Decibel sound level (A weighted)

Specification

Model:	TSPL152
Voltage:	220-240V~ 50/60Hz
Power:	1100W
Plug fuse rating (UK Only):	13A
No load speed:	8000min ⁻¹
Max planing depth:	0-3.2mm
Planing width:	0-152.4mm
Table size:	771 x 250mm
Fence angle range:	45-135°

Dust Port Dimensions:	Inner: 50mm Outer: 60mm
Protection class:	⊕
Ingress protection:	IP20
Power cord length:	2m
Dimensions (L x W x H):	965 x 505 x 315mm
Weight:	25.4kg
As part of our ongoing product development, specifications of Triton products may alter without notice.	
Sound & vibration information	
Sound pressure L_{PA}:	94.3dB(A)
Sound power L_{WA}:	107.3dB(A)
Uncertainty K:	3dB(A)

The sound intensity level for the operator may exceed 85dB(A) and sound protection measures are necessary.

⚠ WARNING: Always wear ear protection where the sound level exceeds 85dB(A) and limit the time of exposure if necessary. If sound levels are uncomfortable, even with ear protection, stop using the tool immediately and check the ear protection is correctly fitted and provides the correct level of sound attenuation for the level of sound produced by your tool.

⚠ WARNING: User exposure to tool vibration can result in loss of sense of touch, numbness, tingling and reduced ability to grip. Long term exposure can lead to a chronic condition. If necessary, limit the length of time exposed to vibration and use anti-vibration gloves. Do not operate the tool with hands below a normal comfortable temperature, as vibration will have a greater effect. Use the figures provided in the specification relating to vibration to calculate the duration and frequency of operating the tool.

⚠ WARNING: The vibration emission during actual use of the power tool can differ from the declared total value depending on the ways in which the tool is used. There is the need to identify safety measures to protect the operator that are based on an estimation of exposure in the actual conditions of use (taking account of all parts of the operating cycle such as the times when the tool is switched off and when it is running idle in addition to the trigger time).

The declared vibration total value has been measured in accordance with a standard test method and may be used for comparing one tool with another. The declared vibration total value may also be used in a preliminary assessment of exposure.

Sound and vibration levels in the specification are determined according to international standards. The figures represent normal use for the tool in normal working conditions. A poorly maintained, incorrectly assembled, or misused tool may produce increased levels of noise and vibration. www.osha.europa.eu provides information on sound and vibration levels in the workplace that may be useful to domestic users who use tools for long periods of time.

General Power Tool Safety Warnings

⚠ WARNING: When using electric power tools, basic safety precautions should always be followed to reduce the risk of fire, electric shock and personal injury including the following safety information. Read all these instructions before attempting to operate this product and save these instructions for future use.

⚠ WARNING: This appliance is not intended for use by persons (including children) with reduced, physical or mental capabilities or lack of experience or knowledge unless they have been given supervision or instruction concerning use of the appliance by a person responsible for their safety. Children must be supervised to ensure that they do not play with the appliance.

CAUTION: Use the power tool, accessories and tool bits etc. in accordance with these instructions, taking into account the working conditions and the work to be performed. Use of the power tool for operations different from those intended could result in a hazardous situation.

The term "power tool" in the warnings refers to your mains-operated (corded) power tool or battery-operated (cordless) power tool.

- 1 Keep work area clear** - Cluttered areas and benches invite injuries
- 2 Consider work area environment**
 - Do not expose tools to rain
 - Do not use tools in damp or wet locations
 - Keep work area well lit
 - Do not use tools in the presence of flammable liquids or gases
- 3 Guard against electric shock** - Avoid body contact with earthed or grounded surfaces (e.g. pipes, radiators, ranges, refrigerators)
- 4 Keep other persons away** - Do not let persons, especially children, not involved in the work touch the tool or the extension cord and keep them away from the work area
- 5 Store idle tools** - When not in use, tools should be stored in a dry locked-up place, out of reach of children
- 6 Do not force the tool** - It will perform the job better and safer at the rate for which it was intended
- 7 Use the right tool** - Do not force small tools to do the job of a heavy duty tool Do not use tools for purposes for which they are not intended; for example do not use circular saws to cut tree limbs or logs
- 8 Dress appropriately**
 - Do not wear loose clothing or jewellery, which can be caught in moving parts
 - Suitable safety footwear is recommended when working outdoors.
 - Wear protective covering to contain long hair

9 Use protective equipment

- Use safety glasses
- Use face or dust mask if working operations create dust

⚠ WARNING: Not using protective equipment or appropriate clothing can cause personal injury or increase the severity of an injury.

10 Connect dust extraction equipment - If the tool is provided for the connection of dust extraction and collecting equipment, ensure these are connected and properly used

11 Do not abuse the power cable - Never pull the power cable to disconnect it from the socket. Keep the power cable away from heat, oil and sharp edges. Damaged or entangled power cables increase the risk of electric shock

12 Secure work - Where possible use clamps or a vice to hold the work. It is safer than using your hands

13 Do not overreach - Keep proper footing and balance at all times

14 Maintain tools with care

- Keeping cutting tools sharp and clean makes the tool easier to control and less likely to bind or lock in the workpiece
- Follow instructions for lubricating and changing accessories
- Inspect tool power cables periodically and have them repaired by an authorised service facility if damaged
- Inspect extension cables periodically and replace if damaged
- Keep handles dry, clean and free from oil and grease

⚠ WARNING: Many accidents are caused by poorly maintained power tools.

15 Disconnect tools - Disconnect tools from the power supply when not in use, before servicing and when changing accessories such as blades, bits and cutters

⚠ WARNING: The use of accessories or attachments not recommended by the manufacturer may result in a risk of injury to persons.

16 Remove adjusting keys and wrenches - Form the habit of checking to see that keys and adjusting wrenches are removed from the tool before switching it on

17 Avoid unintentional starting - Ensure switch is in "off" position when connecting to a mains socket, inserting a battery pack, or when picking up or carrying the tool

⚠ WARNING: Unintended starting of a tool can cause major injuries.

18 Use outdoor extension leads - When the tool is used outdoors, use only extension cords intended for outdoor use and so marked. Use of an extension cable suitable for outdoor use reduces the risk of electric shock

19 Stay alert

- Watch what you are doing, use common sense and do not operate the tool when you are tired
- Do not use a power tool while you are under the influence of drugs, alcohol or medication

⚠ WARNING: A moment of inattention while operating power tools may result in serious personal injury.

20 Check damaged parts

- Before further use of tool, it should be carefully checked to determine that it will operate properly and perform its intended function
- Check for alignment of moving parts, binding of moving parts, breakage of parts, mounting and any other conditions that may affect its operation
- A guard or other part that is damaged should be properly repaired or replaced by an authorised service centre unless otherwise indicated in this instruction manual
- Have defective switches replaced by an authorised service centre

⚠ WARNING: Do not use the tool if the on/off switch does not switch the tool on and off. The switch must be repaired before the tool is used.

21 Have your tool repaired by a qualified person - This electric tool complies with the relevant safety rules. Repairs should only be carried out by qualified persons, otherwise this may result in considerable danger to the user

⚠ WARNING: When servicing use only identical replacement parts.

⚠ WARNING: If the power cable is damaged it must be replaced by the manufacturer or an authorised service centre.

22 Power tool mains plugs must match the mains socket - Never modify the plug in any way. Do not use any adapter plugs with earthed (grounded) power tools. Unmodified plugs and matching sockets will reduce risk of electric shock

23 If operating a power tool outside use a residual current device (RCD) - Use of an RCD reduces the risk of electric shock

NOTE: The term "residual current device (RCD)" may be replaced by the term "ground fault circuit interrupter (GFCI)" or "earth leakage circuit breaker (ELCB)".

24 When used in Australia or New Zealand, it is recommended that this tool is ALWAYS supplied via Residual Current Device (RCD) with a rated residual current of 30mA or less.

25 Use proper extension cord. Make sure your extension cord is in good condition. When using an extension cord, be sure to use one heavy enough to carry the current your product will draw. An undersized cord will cause a drop in line voltage resulting in loss of power and overheating.

26 Never leave the tool running unattended. Turn power off. Don't leave the tool until it comes to a complete stop

Even when used as prescribed it is not possible to eliminate all residual risk factors. Use with caution. If you are at all unsure of the correct and safe manner in which to use this tool, do not attempt to use it.

⚠ WARNING: Before connecting a tool to a power source (mains switch power point receptacle, outlet, etc.) be sure that the voltage supply is the same as that specified on the nameplate of the tool. A power source with a voltage greater than that specified for the tool can result in serious injury to the user, and damage to the tool. If in doubt, do not plug in the tool. Using a power source with a voltage less than the nameplate rating is harmful to the motor.

Cutting tool safety

⚠ WARNING: Before connecting a tool to a power source (mains switch power point receptacle, outlet, etc.) be sure that the voltage supply is the same as that specified on the nameplate of the tool. A power source with a voltage greater than that specified for the tool can result in serious injury to the user, and damage to the tool. If in doubt, do not plug in the tool. Using a power source with a voltage less than the nameplate rating is harmful to the motor.

Use the correct cutting tool

- Ensure the cutting tool is suitable for the job. Do not assume a tool is suitable without checking the product literature before use

Protect your eyes

- Always wear appropriate eye protection when using cutting tools
- Spectacles are not designed to offer any protection when using this product; normal lenses are not impact resistant and could shatter

Protect your hearing

- Always wear suitable hearing protection when tool noise exceeds 85dB

Protect your breathing

- Ensure that yourself, and others around you, wear suitable dust masks

Protect your hands

- Do not allow hands to get close to the cutting wheel or blades. Use a suitable push stick for shorter workpieces with appropriate power tools

Be aware of others around you

- It is the responsibility of the user to ensure that other people in the vicinity of the work area are not exposed to dangerous noise or dust and are also provided with suitable protective equipment

Hidden objects

- Inspect the workpiece and remove all nails and other embedded objects before cutting
- Do not attempt to cut material that contains embedded objects unless you know that the cutting tool fitted to your machine is suitable for the job
- Walls may conceal wiring and piping, car body panels may conceal fuel lines, and long grass may conceal stones and glass. Always check the work area thoroughly before proceeding

Beware of projected waste

- In some situations, waste material may be projected at speed from the cutting tool. It is the user's responsibility to ensure that other people in the work area are protected from the possibility of projected waste

Fitting cutting tools

- Ensure cutting tools are correctly and securely fitted and check that wrenches / adjusters are removed prior to use
- Only use cutting tools recommended for your machine
- Do not attempt to modify cutting tools
- Ensure blades are sharp, in good condition and correctly fitted

- Do not attempt to sharpen blades that are not suitable for sharpening, these may include specially hardened blades or blades made from hardened alloys typically containing tungsten
- Blades that can be sharpened should be sharpened only according to the blade manufacturer's instructions. These may include a limited number of times the blade can be sharpened
- Sharpened blades should be more thoroughly inspected before use and replaced immediately if there is any doubt about their condition and suitability for use
- In the event blades encounter an embedded object in use that the blades are not suitable for, blades should be replaced immediately

Direction of feed

- Always feed work into the blade or cutter against the direction of movement of the blade or cutter

Beware of heat

- Cutting tools and workpieces may become hot in use. Do not attempt to change tools until they have been allowed to cool completely

Control dust / swarf

- Do not allow dust or swarf to build up. Sawdust is a fire hazard, and some metal swarf is explosive
- Be especially careful when cutting wood and metal. Sparks from metal cutting are a common cause of wood dust fires
- Where possible, use a dust extraction system to ensure a safer working environment

Surface Planer Safety

⚠ WARNING: Never use the tool without the appropriate guard in place or correctly adjusted.

⚠ WARNING: Any portion of the cutter block not being used for planing shall be guarded.

⚠ WARNING: When planing narrow workpieces, additional measures such as the use of horizontal pressure devices, may be necessary to ensure safe working.

⚠ WARNING: Planing tools should not be used to cut rebate, recess, tenon or mould.

- **Use appropriate respiratory protection:** Use of this tool can generate dust containing chemicals known to cause cancer, birth defects or other reproductive harm. Some wood contains preservatives such as copper chromium arsenate (CCA) which can be toxic. When sanding, drilling, or cutting these materials extra care should be taken to avoid inhalation and minimise skin contact.

- **Use only sharp blades.** Handle the blades very carefully with cut-proof gloves.

⚠ WARNING: Do not use knives that are blunt as this increases the danger of kickback.

- **Ensure all cloth, cord, rags, string and similar items are removed from the work area.** To prevent entanglement in the planer mechanism
- **Allow the tool to reach full speed before making contact with the workpiece and starting cutting**

- **ALWAYS switch OFF and allow the blades to come to a complete standstill before attempting any adjustments, cleaning or carrying out maintenance**
- **Replace all blades at the same time**, otherwise the resulting imbalance will cause vibration and shorten the service life of planer and blades
- **Do not attempt to perform cutting operations that are not recommended by the manufacturer.** Stopped cuts, recesses, tenons, moulds or planing of severely bowed wood is not permitted with this tool.
- **Do not use the planer if it has not been fixed to a secure work surface.** Without sufficient fixing the bench planer may move abruptly during operation potentially causing severe injury to the operator.
- **Always keep the push-stick next to the infeed table during planing operations.** When planing short work pieces, the push stick should be used. Use the push-stick to feed the workpiece when in close proximity to the blade and when the workpiece is less than 75mm thick.
- **Do not attempt planing of badly bowed material if there is inadequate contact with the infeed table**
- **When transporting the tool, ensure its transport handles are used (not operating handle) and that all the locking mechanisms and guards are securely in place**

Kickback Prevention

Note: Kickback occurs when the blade stalls rapidly, as a result of being pinched, bound or misaligned, and drives the workpiece back towards the operator. It can also pull the operator's hand into the blade, resulting in serious injury.

⚠ WARNING: Kickback is the result of tool misuse and/ or incorrect operating procedures or conditions, however, if precautions are taken, kickback forces can be controlled by the operator or avoided altogether:

- NEVER attempt to cut with a dull or warped blade.** ALWAYS ensure the blade is suitable for the material to be cut.
- ALWAYS ensure the fence/table is parallel to the blade.** If the fence/table tilts inward towards the blade, the workpiece can come into contact with the back edge of the blade.
- Use CAUTION when cutting large workpieces.** Ensure larger stock is properly supported by adequate in-feed and out-feed supports.
- DO NOT cut round stock or workpieces that cannot lay flat on the table.** Avoid cutting twisted, distorted or knotty wood.
- DO NOT cut wet wood, as it produces higher friction against the blade.** Wet sawdust can accumulate on the blade, further increasing the likelihood of kickback.
- ALWAYS maintain a firm grip with both hands on the workpiece and position your arms to resist kickback forces.**
- Stay out of blade path and position your body to either side of the blade, but not in line with the blade.**
- DO NOT back out of the cut.** If you have to interrupt a cut before it is complete, switch the tool 'OFF', and remove the workpiece from the tool, once the blade has stopped spinning.
- ALWAYS use push sticks where appropriate, to guide the workpiece through the blade.** Use feather boards to hold down the workpiece wherever possible.

Product Familiarisation

1. Outfeed Table
2. Blade Drum
3. Infeed Table
4. Guard Mounting Holes
5. Belt Cover
6. ON/OFF Switch
7. Cutting Depth Adjustment Knob
8. Bench Mounting Holes
9. Power Cord
10. Push Stick Storage Bracket
11. Fence Bracket Mount
12. Rubber Feet
13. Dust Extraction Port
14. Push Stick
15. Fence
16. Fence Mounting Bracket
17. Fence Locking Plate
18. Fence Sliding Bracket
19. Blade Drum Guard
20. Fence Angle Locking Handle
21. Sliding Fence Locking Handle
22. Push Blocks
23. 6mm Hex Key
24. 5mm Hex Key
25. 4mm Hex Spanner
26. Handles
27. Guard Arm
28. Spanner (10 x 12mm)
29. 8mm Spring Washer
30. 8mm Flat Washer
31. 10mm Spacer
32. 6mm Spring Washer
33. M6 x 10mm Nut
34. M8 x 30mm Hex Screw
35. M8 x 20mm Hex Screw
36. 13 x 20mm Bolt
37. M6 x 25mm Hex Screw
38. Outward Stop Bolt
39. Inward Stop Bolt
40. Sliding Stop Block
41. Sliding Protective Plate
42. Blade Screw
43. Blade Clamp
44. Blade Alignment Adjusting Screw
45. Blade
46. Motor Unit Hex Screws
47. Dust Extraction Unit Hex Screws
48. Auxiliary Belt
49. Drive Belt

Intended Use

Mains-powered bench-mounted 152mm surface planer with adjustable fence for planing stock up to 152mm wide. For light-duty wood planing tasks only.

The tool must ONLY be used for its intended purpose. Any use other than those mentioned in this manual will be considered a case of misuse. The operator, and not the manufacturer, shall be liable for any damage or injury resulting from such cases of misuse. The manufacturer shall not be liable for any modifications made to the tool, nor for any damage resulting from such modifications.

Not intended for commercial use.

Unpacking Your Tool

- Carefully unpack and inspect your new tool. Familiarise yourself with all its features and functions
- Ensure that all parts of the tool are present and in good condition. If any parts are missing or damaged, have such parts replaced before attempting to use this tool

Before Use

⚠ **WARNING:** Ensure the tool is disconnected from the power supply before attaching or changing any accessories, or making any adjustments.

⚠ **WARNING:** ALWAYS wear suitable cut proof gloves (not supplied) when handling this tool.

Important guidance for the safe use of this tool

- Disconnect the tool from power source whenever adjusting or replacing any parts
- Ensure the ON/OFF Switch (6) is in the 'OFF' position before connecting the tool to mains power
- Keep limbs away from all moving parts
- Wear eye protection and a face mask when using this tool
- Make sure all mobile parts move freely and are free from interference
- Keep Blades sharp, aligned and properly secured to the cutter head
- Never turn the machine 'ON' with the workpiece in contact with the blades
- Whenever the tool is not in use, switch 'OFF' and disconnect from power
- Keep the tool in good order. Follow the maintenance instructions (see 'Maintenance')
- Never use the tool to make partial cuts – allow it to cut the full length of the workpiece
- Do not use the tool to cut recesses, tenons or moulds
- Note the rotational direction of the cutter indicated on the tool

Bench mounting

- Using the Bench Mounting Holes (8), secure the tool to a sturdy flat work surface using bolts, hex nuts and lock washers (not supplied).

Fence installation

Attaching the Fence Mounting Bracket

1. Align the Fence Mounting Bracket (16) with the Fence Bracket Mount (11) and secure in place using 2 x M8 x 20mm Hex Screws (35) and 6mm Hex Key (23) (Fig. I)
2. Insert the Fence Locking Plate (17) into the Fence Mounting Bracket. Position so that the two pins are against the bottom edge of the Fence Mounting Bracket
3. Lock the Fence Locking Plate in position using the Sliding Fence Locking Handle (21) and 10mm Spacer (31) (Fig. II)

Assembling the Fence & Fence Sliding Bracket

1. Attach the Fence (15) to the Fence Sliding Bracket (18) using the M6 x 25mm Hex Screws (37), 6mm Spring Washers (32) and 5mm Hex Key (24) (Fig. III)
2. Slide the Fence and Fence Sliding Bracket onto the dovetails on the Fence Mounting Bracket (16) and Fence Locking Plate (Fig. IV)
3. Slide the Fence Angle Locking Handle (20) through a 10mm Spacer (31) then the Fence assembly and screw clockwise to tighten (Fig. V)

Note: Both the Fence Angle Locking Handle (20) and the Sliding Fence Locking Handle (21) have independent spring adjustment, which means that the handles can be rotated independently of the bar. This is done by pulling the handles, rotating then releasing. This feature can be used when the handles cannot be rotated due to part of the tool assembly interfering.

Attaching the Blade Drum Guard

1. Attach the Blade Drum Guard (19) to the Guard Arm (27) using the two M6 x 10mm Nuts (33) and two 10mm Spanners (1 x 10mm Spanner(28)) (Fig. VI)
2. Attach the guard assembly to the tool via the Guard Mounting Holes (4) using the two 13 x 20mm Bolts (36), 2 x 8mm Spring Washers (29) and a 12mm Spanner (28) (Fig. VII)

Attaching the Carry Handles

1. Attach the Handles (26) using the M8 x 30mm Hex Screws (34), 8mm Spring Washers (29), 8mm Flat Washers (30) and the 6mm Hex Key (23) (Fig. VIII)

Dust extraction

- Adequate dust extraction is essential for a safe workplace; the fine fibres produced from planing operations can be hazardous to health. Always wear a dust mask when operating this machine.
- External dust extraction devices can be attached to the tool via the Dust Extraction Port (13)

Table calibration

1. Place a spirit level (not provided) or similar, flat on the Outfeed Table (1) over the Blade Drum (2) (Image A)
2. Turn the Cutting Depth Adjustment Knob (7) clockwise to raise the Infeed Table (3) (lower cutting depth), or anti-clockwise to lower the Table (increase cutting depth), aligning the Infeed Table with the Outfeed Table for a reading of 0mm

Positioning the Fence

⚠ WARNING: ALWAYS ensure that the Sliding Protective Plate (41) is covering the Blade Drum (2) to the rear of the Fence (15) when the Fence protrudes over the Blade Drum while operating.

1. The Fence (15) angle can be adjusted to accommodate a variety of workpiece shapes
2. The Fence can be adjusted to angles between 45° inward and 45° outward
3. There are 3 locking positions that use stops 45° inward, 45° outward and 90°
4. For precise measurements use a machinist's square to check the desired angle of the Fence

Setting Fence at 90°

1. Position the Fence (15) assembly on the tool and tighten the Sliding Fence Locking Handle (21)
2. Loosen the Fence Angle Locking Handle (20)
3. Slide the Sliding Stop Block (40) into position by lifting the locking knob and sliding the Block towards the Fence (Fig. IX)
4. Position the Fence so that the Stop Block is in contact with the magnet on the rear of the Fence
5. Slide the Sliding Protective Plate (41) over the exposed Blade Drum (2) to the rear of the Fence
6. Once in position tighten the Fence Angle Locking Handle

Setting the Fence inward 45°

1. Position the Fence (15) assembly on the tool and tighten the Sliding Fence Locking Handle (21)
2. Loosen the Fence Angle Locking Handle (20)
3. Remove the Sliding Stop Block (40) to prevent interference with the fence positioning
4. Tilt the top of the Fence inward until it comes into contact with the Inward Stop Bolts (39) (Fig. X)
5. Slide the Sliding Protective Plate (41) over the exposed Blade Drum (2) to the rear of the Fence
6. Tighten the Fence Angle Locking Handle to lock the Fence in position

Setting the Fence outward 45°

1. Position the Fence (15) assembly on the tool and tighten the Sliding Fence Locking Handle (21)
2. Loosen the Fence Angle Locking Handle (20)
3. Remove the Sliding Stop Block (40) to prevent interference with the fence positioning
4. Tilt the top of the Fence outward until it comes into contact with the Outward Stop Bolts (38) (Fig. XI)
5. Slide the Sliding Protective Plate (41) over the exposed Blade Drum (2) to the rear of the Fence
6. Tighten the Fence Angle Locking Handle to lock the Fence in position

Setting the Blade alignment

⚠ WARNING: Do not touch the cutting edge of the Blade (45) at any time, it is extremely sharp.

Note: The Blades have been adjusted at the factory and should not require any adjustment prior to first use. However, the Blades can become misaligned during shipping and handling and should always be checked prior to use for accurate cutting.

Checking the Blades

1. Position a straight edge on the Outfeed Table (1) overhanging the Blade Drum (2)
2. Remove the belt cover screws and Belt Cover (5) using the 4mm Hex Spanner (25) (Fig. XII)
3. Rotate the Blade Drum using the exposed Drive Belt (49) (Fig. XIII)
4. The Blade (45) should just touch the straight edge as the Drum rotates
5. If the Blade does not come in contact with the straight edge or pulls the straight edge forward, then the Blade requires adjustment
6. Check the Blade height at both ends to see if it is level side to side

Aligning the Blades

1. Rotate the Blade Drum (2) so that the four Blade Screws (42) are exposed
2. Loosen the four Blade Screws using the 4mm Hex Spanner (25) (Fig. XIV)
3. Rotate the Blade Drum so that the two Blade Alignment Adjusting Screws (44) are exposed (Fig. XV)
4. With a straight edge in place above the Blade Drum on the Outfeed Table (1), rotate the Blade Alignment Adjusting Screw until the Blade (45) just comes into contact with the straight edge when the Blade Drum is rotated (Fig. XVIII)
5. Repeat with the second Blade Alignment Adjusting Screw to ensure the Blade is level side to side
6. Once the Blade is aligned, retighten the four Blade Screws and repeat the alignment process on the second Blade

Transportation

- When transporting or storing the tool, ensure the Guard (19) is positioned down over the Cutter Head and all bevel and adjustment locks are securely in place
- Only use Handles (26) to lift and transport the tool
- If the tool is mounted to a bench or support, ensure the fixings are removed and the tool is free to move
- If the tool is mounted to a portable board, ensure the board is unclamped from the workbench or support so the tool is free to move
- When moving or transporting the tool, always keep it upright

Operation

⚠ WARNING: ALWAYS wear eye protection, adequate respiratory and hearing protection as well as suitable gloves when working with this tool.

⚠ WARNING: Ensure the tool is disconnected from the power supply before attaching or changing any accessories or making any adjustments.

IMPORTANT: Always inspect the tool before each use. Before connecting the tool to mains power, inspect the guards and the correct functioning safety features of the tool.

IMPORTANT: Ensure the operator has adequate training in the operation, adjustment, and maintenance of the tool before connecting the tool to mains power and operating the tool.

⚠ WARNING: ALWAYS ensure the tool is unplugged from mains power before adjusting or changing any of the tool's parts. Observe the rotational direction of the blade and compare to the correct rotational direction on the tool

Adjusting the cutting depth

⚠ WARNING: ALWAYS ensure the tool is switched off and disconnected from the power supply before attempting to adjust the depth of cut. NEVER adjust the depth of cut when the tool is running.

IMPORTANT: The cutting range of this tool is indicated in the specification and should be strictly adhered to.

1. To adjust the cutting depth turn the Cutting Depth Adjustment Knob (7) anticlockwise to increase the cutting depth and clockwise to decrease the cutting depth (Fig. XVI)
2. Each full revolution of the Cutting Depth Adjustment Knob will increase or decrease the depth of the cut by 0.75mm
3. For accurate measurement perform a test cut on a scrap piece of wood and measure

Switching 'ON' & 'OFF'

Ensure the Power Cord (9) is plugged into the mains power supply before attempting to switch the tool 'ON'.

- The ON/OFF Switch (6) is located on the front of the tool
- To turn the tool 'ON' press the green 'I' switch
- To turn the tool 'OFF' press the red 'O' switch

Surface planer operation

⚠ WARNING: When using this tool the operator must always be positioned at the Infeed Table (3) end of the tool, and must not reach over the Blade Drum (2) at any time while operating the tool.

⚠ WARNING: Keep hands and fingers at least 150mm away from the Blade Drum. When feeding a workpiece in close proximity to the Blade Drum, always use the Push Stick (14) or Push Blocks (22).

⚠ WARNING: If the Blade Drum stops during the cutting process for any reason, immediately switch 'OFF' the power. Do not restart the tool partway through making a cut, and do not attempt to make partial cuts to the workpiece.

⚠ WARNING: Always store the Push Stick in the Push Stick Storage Bracket (10) so that it is easily accessible when operating the tool.

⚠ WARNING: This tool is designed for use with dry, natural wood fibre ONLY. Never use metals, plastics, laminated materials, plywood MDF or other synthetic products with this machine. Do not attempt planing of badly bowed material if there is inadequate contact with the Infeed Table.

⚠ WARNING: ALWAYS ensure that the Sliding Protective Plate (41) is covering the Blade Drum (2) to the rear of the Fence (15) when the Fence protrudes over the Blade Drum while operating.

IMPORTANT: Always consider the type of wood and condition of the workpiece before commencing work with this machine. Only perform shallow cuts on harder materials or materials with rougher surfaces.

Using the Guard

⚠ WARNING: Never use the tool without the appropriate guard in place or correctly adjusted.

Before making a cut, use the adjusters on the Guard Arm (27) to position the Blade Drum Guard (19) to cover any part of the Blade Drum (2) that is left exposed when the workpiece is in place – see Images A - D.

Surface planing

See Image B.

- Surface planing is done to create a flat surface on a workpiece in preparation for thickness planing

1. Set Infeed Table (3) height to desired cutting depth

IMPORTANT: When surface planing only take shallow cuts to prevent kickback.

2. Set the Fence (15) to 90° (see 'Positioning the Fence')
3. Start the tool
4. Place workpiece firmly against Infeed Table and Fence
5. Position the Guard (19) – see 'Using the Guard'
6. Feed the workpiece completely across the cutter whilst maintaining firm pressure against the Fence and Tables during the entire cut
7. Repeat if necessary, until desired finish is achieved

Edge jointing

See Image C.

- Edge jointing is done to produce a flat, true surface along the side of a workpiece. It is essential to do this when creating squared-up stock or for preparing a workpiece for finishing and joinery

1. Set Infeed Table (3) height to desired cutting depth

IMPORTANT: When edge jointing only take shallow cuts to prevent kickback.

2. Set the Fence (15) to 90° (see 'Positioning the Fence')
3. Start the tool
4. Place workpiece firmly against Infeed Table (3) and Fence
5. Position the Blade Drum Guard (19) – see 'Using the Guard'
6. Feed the workpiece completely across the cutter whilst maintaining firm pressure against the Fence and Tables during the entire cut
7. Repeat if necessary, until desired finish is achieved

Bevel cutting

See Image D.

- Bevel cuts are angled cuts and can be created by positioning the Fence (15) at the desired angle and feeding the workpiece along the Fence. This process usually requires several passes or cuts to produce the desired finish

1. Set Infeed Table (3) height to desired cutting depth

IMPORTANT: When bevel cutting only take shallow cuts to prevent kickback.

2. Set Fence to desired angle of cut (see 'Positioning the Fence')

3. Place the workpiece against the Infeed Table and Fence concave side down

4. Start the tool

5. Position the Blade Drum Guard (19) – see 'Using the Guard'

6. Maintain workpiece pressure against the Fence and Tables with the lead Push Block (22) and feed the workpiece with the second Push Block

7. Repeat until desired finish is achieved

Accessories

- A range of accessories and consumables, including face masks, dust extractors and cut resistant gloves, is available from your Triton stockist
- Spare parts can be obtained from toolsparsonline.com

Maintenance

⚠ WARNING: Ensure the tool is disconnected from the power supply before attaching or changing any accessories, or making any adjustments.

⚠ WARNING: ALWAYS wear suitable cut-proof gloves when handling the Blade Drum (2) and its sub-components.

- This tool is manufactured using class leading components and makes use of the latest in intelligent circuitry that protects the tool and its components. In normal use it should provide a long working life
- Parts of this tool that can be replaced by the user include:
 - I. Blades
 - II. Drive Belt
 - III. Auxiliary Belt

Note: Instruction on servicing these items is provided in this section of the manual.

General inspection

- Regularly check that all the fixing screws are tight
- Inspect the supply cord of the tool, prior to each use, for damage or wear. Repairs should be carried out by an authorised Triton service centre. This advice also applies to extension cords used with this tool
- If you are uncertain as to how to carry out any of the following maintenance procedures DO NOT attempt, instead have the maintenance carried out by an authorised Triton service centre

Cleaning

⚠ WARNING: Ensure when cleaning or removing blockages from the tool that the tool is disconnected from the mains supply and is switched 'OFF'. Always wear cut-proof gloves while carrying out cleaning and unblocking procedures as the tool contains sharp surfaces and components.

- Keep your tool clean at all times. Dirt and dust will cause internal parts to wear quickly, and shorten the machine's service life. Clean the body of your machine with a soft brush, or dry cloth. If available, use clean, dry, compressed air to blow through the ventilation holes
- After use, vacuum the tool to remove wood chips, sawdust and debris
- Remove sawdust, wood chips and grease from belt, gears and moving parts
- Clean the tool casing with a soft damp cloth using a mild detergent. Do not use alcohol, petrol or strong cleaning agents
- Never use caustic agents to clean plastic parts

Blade replacement

⚠ WARNING: ALWAYS wear cut-proof gloves when handling the Blades (45).

IMPORTANT: Only use Blades that are specifically designed for the machine.

1. Remove the Belt Cover (5) using the 4mm Hex Spanner (25) (Fig. XII)
2. Rotate the Blade Drum so that the four Blade Screws (42) are exposed
3. Remove the four Blade Screws (Fig. XIV)
4. Carefully remove the Blade Clamp (43) and the Blade
5. Replace the Blade, locating it on the Blade Alignment Adjusting Screws (44) (Fig. XVII)
6. Insert the Blade Screws and realign the Blade (see 'Aligning the Blades')
7. Repeat with second Blade

Belt replacement

Replacing the Auxiliary Belt

1. Lay the tool on the ground or workbench so the base of the tool is accessible
2. Unscrew and remove the bottom cover
3. Slacken but do not remove the two Dust Extraction Unit Hex Screws (47) so that the dust extraction unit can move from side to side
4. Replace the Auxiliary Belt (48)
5. Tension the Belt and retighten the Hex Screws
6. Refit the bottom cover

Replacing the Drive Belt

1. Lay the tool on the ground or workbench so the base of the tool is accessible
2. Unscrew and remove the bottom cover
3. Remove the Auxiliary Belt (48) (see 'Replacing the Auxiliary Belt')
4. Slacken but do not remove the four Motor Unit Hex Screws (46) so that the motor unit can slide from side to side
5. Remove the Drive Belt (49)
6. Replace the Drive Belt
7. Tension the Belt and retighten the Hex Screws
8. Refit the Auxiliary Belt and bottom cover

Lubrication

- Slightly lubricate all moving parts at regular intervals with a suitable spray lubricant
- The bearings in motor and cutter head units are factory-sealed and should require no further lubrication
- Components requiring regular lubrication:
 - Cutting Depth Adjustment Knob Thread
 - Fence Sliding Bracket
 - Fence Angle Locking Knob
 - Sliding Fence Locking Knob
 - Guard adjustment mechanism
- Remove any residues of grease from the other components, using mineral spirits if necessary, then apply a coat of light grade multi-purpose grease (not included)
- The work tables can be coated with a very thin coat of lubricating wax (not included) to protect the surface from rust and to facilitate smooth feed during operation

Brushes

- Over time the carbon brushes inside the motor may become worn
- Excessively worn brushes may cause loss of power, intermittent failure, or visible sparking
- If you suspect that the brushes may be worn, have them replaced at an authorised Triton service centre

Storage

Store this tool carefully in a secure, dry place out of the reach of children

Contact

For technical or repair service advice, please contact the helpline on (+44) 1935 382 222

Web: www.tritontools.com

UK Address:

Toolstream Ltd.
Boundary Way
Lufton Trading Estate
Yeovil, Somerset
BA22 8HZ, United Kingdom

EU Address:

Toolstream B.V.
Hogeweg 39
5301 LJ Zaltbommel
The Netherlands

Disposal

Always adhere to national regulations when disposing of power tools that are no longer functional and are not viable for repair.

- Do not dispose of power tools, or other waste electrical and electronic equipment (WEEE), with household waste
- Contact your local waste disposal authority for information on the correct way to dispose of power tools

Troubleshooting

Problem	Possible Cause	Solution
No function when ON/OFF Switch (6) is operated	No power	Check power supply
	Defective ON/OFF Switch	Replace the ON/OFF Switch at an authorised Triton service centre
Motor does not start	Carbon brushes worn	Brushes need replacing
Poor surface finish after planing	Chosen cutting depth too big	Reduce cutting depth and work in several passes instead
	Blunt Blades (45)	Turn or replace Blades (see 'Changing Blades')
	Wood is damp	Switch 'OFF' immediately. Evaluate and correct positioning of Blades (see 'Blade replacement')
Barrel not rotating	Broken Drive Belt (49)	See 'Replacing the Drive Belt' and replace Belt
Vibration and abnormal noise	STOP using tool immediately	Re-check all user accessible parts are secure and correctly fitted
		Contact an authorised Triton service centre

Guarantee

To register your guarantee visit our web site at tritontools.com* and enter your details.

Purchase Record

Date of Purchase: ___/___/___

Model: TSPL152

Retain your receipt as proof of purchase.

Triton Precision Power Tools guarantees to the purchaser of this product that if any part proves to be defective due to faulty materials or workmanship within 3 YEARS from the date of original purchase, Triton will repair, or at its discretion replace, the faulty part free of charge.

This guarantee does not apply to commercial use nor does it extend to normal wear and tear or damage as a result of accident, abuse or misuse.

* Register online within 30 days.

Terms & conditions apply.

This does not affect your statutory rights

Australian Warranty Information

You may wish to register your product at www.tritontools.com but you are not under any obligation to do so.

Our goods come with guarantees that cannot be excluded under the Australian Consumer Law.

You are entitled to a replacement or refund for a major failure and for compensation for any other reasonably foreseeable loss or damage. You are also entitled to have the goods repaired or replaced if the goods fail to be of acceptable quality and the failure does not amount to a major failure.

This product is guaranteed against faulty materials and workmanship for 3 YEARS from the date of purchase. Please retain your receipt as proof of purchase.

This warranty does not cover defects caused by or resulting from:

- (a) misuse, abuse or neglect;
- (b) trade, professional or hire use;
- (c) repairs attempted by anyone other than our authorised repair centres; or
- (d) damage caused by foreign objects, substances or accident.

Warranty Exclusions

Wearing parts, consumable items or service-related parts required when performing normal and regular maintenance of this product are not covered by the warranty unless it is found to be defective by an Authorised Service Centre.

Distributed in Australia by Carbatec:
Carbatec Pty Ltd, 128 Ingleston Rd, Wakerley QLD 4154

Enquiries

Email: callcentre@carbatec.com.au
Freecall number: 1800 658 111

The Carbatec policy is one of continuous improvement and the company reserves the right to alter designs, colours and specifications without notice.

Vertaling van de originele instructies

Introductie

Hartelijk dank voor de aankoop van dit Triton-product. Deze handleiding omvat informatie die nodig is voor een veilig en efficiënt gebruik van dit product. Dit product is in het bezit van unieke kenmerken en, zelfs indien u bekend bent met gelijkaardige producten, is het nodig om deze handleiding aandachtig door te lezen om er zeker van te zijn dat u de instructies volledig begrijpt. Zorg ervoor dat alle gebruikers van het product deze handleiding volledig gelezen en begrepen hebben. Bewaar deze instructies bij het product, zodat u deze later nog eens kunt raadplegen.

Beschrijving van de symbolen

Op het typeplaatje van uw product kunnen symbolen voorkomen. Deze vertegenwoordigen belangrijke informatie met betrekking tot het product of instructies met betrekking tot het gebruik ervan.



Draag gehoorbescherming
Draag een veiligheidsbril
Draag een stofmasker
Draag een veiligheidshelm



Draag handschoenen



Lees de handleiding



Gebruik niet bij regen of in vochtige omstandigheden!



Ontkoppel de machine van de stroombron voor het maken van aanpassingen, het verwisselen van accessoires, het schoonmaken, het uitvoeren van onderhoud en wanneer de machine niet in gebruik is!



WAARSCHUWING: Bewegende delen kunnen ernstig letsel veroorzaken.



Ontkoppel de machine van de stroombron en wacht tot de bladen volledig stil staan voordat u deze aanraakt.

WAARSCHUWING: GEVAAR DOOR ZWARE LASTEN

Hef de last niet alleen, dit resulteert mogelijk in persoonlijk letsel

Hef met meerdere personen

WAARSCHUWING: Dit product is zwaar en als voorzorgsmaatregel moet de machine met twee personen samengesteld worden.



Klasse 1 (met beveiligde aarding).

Milieubescherming



Elektrische producten mogen niet met het normale huisvuil worden weggegooid. Gelieve te recycleren indien deze mogelijkheid bestaat. Vraag de plaatselijke autoriteiten of de verkoper om advies.



Voldoet aan de relevante wetgeving en veiligheidsnormen.



Voorzichtig!



Let op: terugslaggevaar!



Enkel geschikt voor binnen gebruik!



Stofafvoer vereist of aanbevolen

Technische afkortingen

V	Volt
~	Wisselspanning
A, mA	Ampère, milliampère
n_0	Onbelaste snelheid
Nm	Newtonmeter (koppel)
psi	Pond per vierkante inch
°	Graden
Hz	Hertz
W, kW	Watt, kilowatt
min ⁻¹	Operaties per minuut
dB(A)	Decibel geluidsniveau (A-gewogen)

Specificaties

Model:	TSPL152
Spanning:	220-240 V~ 50/60 Hz
Vermogen:	1100 W
Stekkerzekering (Alleen VK):	13 A
Onbelaste snelheid:	8000 min ⁻¹

Max. schaaftdiepte:	0-3,2 mm
Schaafbreedte:	0-152,4 mm
Tafelafmeting	771 x 250 mm
Hoekbereik geleiding:	45-135°
Diameter stofpoort:	Binnendiameter: 50 mm Buitendiameter: 60 mm
Beschermingsklasse:	⊕
Beschermingsgraad:	IP20
Lengte stroomsnoer:	2 m
Afmetingen (L x B x H):	965 x 505 x 315 mm
Gewicht:	25,4 kg
In het kader van onze voortgaande productontwikkeling kunnen de specificaties van Triton-producten zonder voorafgaande kennisgeving worden gewijzigd.	
Geluids- en trillingsgegevens	
Geluidsdruk L_{PA}:	94,3 dB(A)
Geluidsvermogen L_{WA}:	107,3 dB(A)
Onzekerheid K:	3 dB(A)

De geluidsintensiteit voor de bediener kan 85 dB(A) overschrijden en de gehoorbescherming is noodzakelijk.

⚠ WAARSCHUWING: Bij een geluidsintensiteit van 85 dB(A) of hoger is het dragen van gehoorbescherming en het limiteren van de blootstellingstijd vereist. Bij oncomfortabel hoge geluidsniveaus, zelfs met het dragen van gehoorbescherming, stopt u het gebruik van de machine onmiddellijk. Controleer de pasvorm en het geluiddempingsniveau van de bescherming.

⚠ WAARSCHUWING: Blootstelling aan trilling resulteert mogelijk in gevoelloosheid, tinteling en een verminderd gripvermogen. Langdurige blootstelling kan aanleiding geven tot een chronische aandoening. Limiteer de blootstellingsduur en draag anti-vibratie handschoenen. Vibratie heeft een grotere invloed op handen met een temperatuur lager dan een normale, comfortabele temperatuur. Maak gebruik van de informatie in de specificaties voor het berekenen van de gebruiksduur en frequentie van de machine.

⚠ WAARSCHUWING: De trillingsbelasting tijdens het werken met het elektrisch gereedschap kan variëren afhankelijk van de toepassing en van de opgegeven totale vibratiewaarde. Om adequate veiligheidsmaatregelen te kunnen nemen om de gebruiker te beschermen, moet bij een nauwkeurige schatting van de trillingsbelasting ook rekening worden gehouden met de tijden waarop de machine wordt uitgeschakeld of de machine ingeschakeld is, maar niet daadwerkelijk wordt gebruikt.

Het in deze handleiding vermelde trillingsniveau is gemeten volgens een standaard genormeerde meetmethode en kan worden gebruikt om het ene gereedschap met het andere te vergelijken. Het is ook geschikt voor een voorlopige inschatting van de trillingsbelasting.

Geluidniveau in de specificatie zijn vastgesteld volgens internationale norm. De waarden gelden voor een normaal gebruik in normale werkomstandigheden. Een slecht onderhouden, onjuist samengestelde of onjuist gebruikte machine produceert mogelijk hogere geluids- en trillingsniveaus. www.osha.europa.eu biedt informatie met betrekking tot geluids- en trillingsniveaus op de werkplek wat mogelijk nuttig is voor regelmatige gebruikers van machines.

Veiligheidswaarschuwingen voor elektrisch gereedschap

⚠ WAARSCHUWING: Bij gebruik van een elektrisch apparaat dienen de veiligheidsinstructies altijd te worden opgevolgd om het risico op brand, elektrische schokken en persoonlijk letsel te verminderen. Lees deze instructies aandachtig door alvorens het apparaat in gebruik te nemen en bewaar ze voor toekomstig gebruik.

⚠ WAARSCHUWING: De machine is niet geschikt voor gebruik door personen met een verminderde mentale of fysieke gesteldheid of een gebrek aan ervaring, tenzij de persoon wordt begeleid of geïnstrueerd door een persoon verantwoordelijk voor de veiligheid. Kinderen moeten onder toezicht staan om ervoor te zorgen dat ze niet met het apparaat spelen.

LET OP: Gebruik het elektrische gereedschap, de accessoires en onderdelen, etc. volgens deze instructies en volgens bestemming voor het specifieke type elektrisch gereedschap, en houd daarbij rekening met de werkomstandigheden en het uit te voeren werk. Gebruik van elektrisch gereedschap voor werkzaamheden die verschillen van die waarvoor het apparaat bestemd is, kan leiden tot gevaarlijke situaties.

De term "elektrisch gereedschap" in alle hieronder vermelde waarschuwingen heeft betrekking op uw elektrische gereedschap dat op de stroom is aangesloten (met een snoer) of met een accu wordt gevoed (snoerloos).

- Houd de werkruimte zuiver.** - Rommelige werkplaatsen en werkoppervlakken geven dikwijls aanleiding tot letsel
- Denk aan de omgeving van de werkplaats**
 - Stel het gereedschap niet bloot aan regen
 - Gebruik het gereedschap niet in een vochtige of natte omgeving
 - Houd de werkplaats goed verlicht
 - Gebruik de gereedschappen niet in de buurt van ontvlambare vloeistoffen of gassen
- Bescherming tegen elektrische schokken** - Vermijd lichaamscontact met geaarde oppervlakken (bijvoorbeeld buizen, radiatoren, koelkasten)
- Houd andere personen op afstand** - Laat geen personen, en dan in het bijzonder kinderen, die niets te maken hebben met het werk, het gereedschap of het verlengsnoer aanraken, en houd ze verwijderd van de werkplaats

5 **Berg niet gebruikt gereedschap op** - Wanneer ze niet gebruikt worden, dienen gereedschappen opgeborgen te worden op een droge en afgesloten plek, buiten het bereik van kinderen

6 **Forceer het gereedschap niet** - Het gereedschap functioneert beter en veiliger op de snelheid waarvoor het ontworpen is

7 **Gebruik het juiste gereedschap** - forceer kleine machines niet om het werk uit te voeren waarvoor een zwaardere machine nodig zou zijn

Gebruik gereedschap niet voor doeleinden waarvoor ze niet bedoeld zijn, bijvoorbeeld: gebruik geen cirkelzaag om boomtakken of boomstronken te zagen

8 **Draag de juiste kleding**

- Draag geen losse kleding en sieraden die door bewegende delen zouden gegrepen kunnen worden

- Geschikte schoenen zijn aan te bevelen wanneer in de buitenomgeving werkzaamheden worden uitgevoerd

- Berg lang haar op

9 **Gebruik beschermende uitrusting**

- Gebruik een veiligheidsbril

- Gebruik een gezichts- of stofmasker indien de uitgevoerde werkzaamheden aanleiding geven tot stofvorming

⚠ **WAARSCHUWING:** Het niet gebruiken van de nodige beschermende uitrusting of het niet dragen van de gepaste kleding kan aanleiding geven tot persoonlijk letsel of kan de ernst van eventueel letsel verergeren.

10 **Sluit een stofvoersysteem aan** - Indien het gereedschap is voorzien om een stofvoer- en verzamelsysteem aan te sluiten, zorg er dan voor dat dit op de correcte wijze is aangesloten en gebruikt wordt.

11 **Misbruik het stroomsnoer niet** - Trek nooit aan het stroomsnoer om de stekker uit het stopcontact te trekken. Houd het stroomsnoer verwijderd van hitte, olie, en scherpe randen. Een beschadigd of in de knoop geraakt snoer verhoogt het risico op elektrische schokken.

12 **Veilig werken** - Indien mogelijk, gebruik klemmen of bankschroeven om het werkstuk te immobiliseren. Dit is veiliger dan het werkstuk met de handen vast te houden

13 **Reik niet te ver** - Blijf altijd stevig en in balans staan

14 **Onderhoud uw gereedschap zorgvuldig**

- Indien snijgereedschappen scherp en schoon worden gehouden, is het gereedschap gemakkelijker onder controle te houden en zal het minder vastlopen in het werkstuk.

- Volg de instructies voor het smeren en het vervangen van accessoires

- Controleer de snoeren van elektrisch gereedschap op periodieke wijze en laat ze repareren door een geautoriseerd servicecentrum indien ze beschadigd zijn

- Inspecteer verlengsnoeren op periodieke wijze en vervang ze indien ze beschadigd zijn

- Houd de grepen droog, schoon, en vrij van olie en vet

⚠ **WAARSCHUWING:** Vele ongelukken worden veroorzaakt door slecht onderhouden elektrisch gereedschap.

15 **Koppel gereedschappen los** - Koppel gereedschappen los van de voeding wanneer ze niet gebruikt worden, alvorens ze gerepareerd worden, en wanneer accessoires vervangen worden zoals bladen, bits, en messen

⚠ **WAARSCHUWING:** Het gebruik van accessoires of hulpmiddelen die niet zijn aanbevolen door de fabrikant kan aanleiding geven tot risico's op persoonlijk letsel.

16 **Verwijder stel- en moersleutels** - Meet uzelf de gewoonte aan om te controleren of eventuele stelsleutels en moersleutels uit het gereedschap verwijderd zijn alvorens het gereedschap in te schakelen

17 **Vorkom het per ongeluk inschakelen** - Zorg ervoor dat de schakelaar in de uit-positie staat wanneer de verbinding wordt tot stand gebracht met een stopcontact, wanneer een accu in het gereedschap wordt aangebracht, of wanneer het gereedschap wordt opgetild of wordt verplaatst

⚠ **WAARSCHUWING:** Het onvoorzien starten van een gereedschap kan ernstig letsel veroorzaken.

18 **Gebruik van verlengsnoeren buitenshuis** - Wanneer het gereedschap buiten wordt gebruikt, maak dan enkel gebruik van verlengsnoeren die specifiek hiervoor voorzien zijn en als dusdanig gemarkeerd zijn. Het gebruik van een verlengsnoer dat geschikt is voor gebruik buitenshuis beperkt het risico op elektrische schokken

19 **Blijf alert**

- Let op wat u doet, gebruik uw gezond verstand, en gebruik het gereedschap niet wanneer u vermoeid bent

- Gebruik elektrisch gereedschap nooit wanneer u vermoeid bent of onder de invloed bent van drugs, alcohol of geneesmiddelen.

⚠ **WAARSCHUWING:** Onoplettendheid tijdens het gebruik van elektrisch gereedschap kan aanleiding geven tot ernstig persoonlijk letsel.

20 **Controleer beschadigde onderdelen**

- Voorafgaand aan het gebruik van het gereedschap moet het aandachtig gecontroleerd worden, om er zeker van te zijn dat het correct werkt en de beoogde functie op de juiste wijze uitvoert

- Controleer de uitlijning van bewegende delen, het eventueel vastzitten van bewegende delen, eventuele gebroken onderdelen, en welke andere afwijkingen dan ook die de werking zouden kunnen beïnvloeden.

- Een bescherming of een ander deel dat beschadigd is, dient op de juiste wijze gerepareerd te worden of vervangen te worden door een geautoriseerd servicecentrum, tenzij anders aangeduid in deze gebruikshandleiding

- Laat defecte schakelaars vervangen door een geautoriseerd servicecentrum

⚠ **WAARSCHUWING:** Gebruik het gereedschap niet indien de aan/uit-schakelaar het gereedschap niet in- en uitschakelt. De schakelaar dient gerepareerd te worden alvorens het gereedschap wordt gebruikt.

21 **Laat uw gereedschap repareren door een gekwalificeerde persoon** - Dit elektrisch gereedschap voldoet aan de relevante veiligheidsregels. Reparaties mogen enkel uitgevoerd worden door gekwalificeerd personeel, zoniet kan dat gevaar inhouden voor de gebruiker

⚠ **WAARSCHUWING:** Gebruik bij onderhoud of reparaties enkel identieke vervangstukken.

⚠ **WAARSCHUWING:** Indien het snoer beschadigd is, dient dit door de fabrikant of door een geautoriseerd servicecentrum vervangen te worden.

22 De stekkers op elektrisch gereedschap dienen overeen te stemmen met het stopcontact - Wijzig de stekker nooit op welke wijze dan ook. Gebruik geen adapterstekkers in combinatie met geaard elektrisch gereedschap. Het gebruik van ongewijzigde stekkers en passende stopcontacten beperkt het risico op elektrische schokken.

23 Indien elektrisch gereedschap buiten wordt gebruikt, zorg dan dat er een aardlekbeveiliging (RCD) voorzien is - het gebruik van een aardlekbeveiliging beperkt het risico op elektrische schokken

OPMERKING: De term "aardlekbeveiliging" (residual current device -RCD) kan vervangen worden door de term "aardingsfoutschakelaar" (ground fault circuit interrupter - GFCI) of "aardlekschakelaar" (earth leakage circuit breaker - ELCB).

24 Wanneer de machine in Australië of Nieuw-Zeeland wordt gebruikt, is het aan te bevelen dat het gereedschap STEEDS gevoed wordt via een systeem waarop een aardlekbeveiliging (RCD) is voorzien met een nominale lekstroom van ten hoogste 30 mA.

25 Gebruik het juiste verlengsnoer en zorg ervoor dat het verlengsnoer in goede staat is. Wanneer u een verlengsnoer gebruikt, zorg er dan voor dat het zwaar genoeg is om de stroom te dragen die uw product zal trekken. Een te klein verlengsnoer kan leiden tot een daling van de netspanning, wat kan resulteren in stroomverlies en oververhitting.

26 Laat het apparaat nooit onbeheerd werken. Schakel de stroom uit. Laat het apparaat niet achter totdat het volledig tot stilstand is gekomen.

Zelfs indien men dit gereedschap gebruikt zoals voorgeschreven, is het onmogelijk om alle residuele risicofactoren te elimineren. Wees voorzichtig tijdens het gebruik. Indien u niet zeker bent van de correcte en veilige wijze waarop dit product gebruikt dient te worden, probeer dat dan niet.

⚠ **WAARSCHUWING:** Voordat u elektrisch gereedschap aansluit op een stroombron (stopcontact, aftakking, enzovoort) dient u zich er van te vergewissen dat de voedingsspanning dezelfde is als deze die gespecificeerd is op het typeplaatje van het gereedschap. Een voeding met een spanning die groter is dan deze die gespecificeerd is voor het gereedschap kan aanleiding geven tot ernstig letsel en kan het gereedschap beschadigen. Indien u twijfelt, steek de stekker dan niet in het stopcontact. Een voeding met een spanning die lager is dan deze die gespecificeerd is op het typeplaatje, is schadelijk voor de motor.

Veiligheid Snijgereedschap

⚠ **WAARSCHUWING:** Voordat u elektrisch gereedschap aansluit op een stroombron (stopcontact, aftakking, enzovoort) dient u zich er van te vergewissen dat de voedingsspanning dezelfde is als deze die gespecificeerd is op het typeplaatje van het gereedschap. Een voeding met een spanning die groter is dan deze die gespecificeerd is voor het gereedschap kan aanleiding geven tot ernstig letsel en kan het gereedschap beschadigen. Indien u twijfelt, steek de stekker dan niet in het stopcontact. Een voeding met een spanning die lager is dan deze die gespecificeerd is op het typeplaatje, is schadelijk voor de motor.

Gebruik steeds het juiste snijgereedschap

- Vergewis u ervan dat het snijgereedschap geschikt is voor het uit te voeren werk. Ga er niet zomaar van uit dat het gereedschap geschikt is, zonder de productdocumentatie geraadpleegd te hebben.

Bescherm uw ogen

- Draag steeds gepaste oogbescherming wanneer u snijgereedschap gebruikt.
- Een bril is niet geschikt als bescherming tijdens het gebruik van dit gereedschap; normale brillenglazen zijn niet bestand tegen een eventuele impact, en zouden dan ook kunnen breken.

Bescherm uw oren

- Draag steeds de gepaste gehoorbescherming in gevallen waarin het gereedschap meer geluid produceert dan 85 dB.

Bescherm uw ademhaling

- Zorg ervoor dat uzelf en anderen in de omgeving geschikte stofmaskers gebruiken.

Bescherm uw handen

- Breng uw handen niet te dicht in de buurt van snijwielen of -bladen. Gebruik een duwstaaf voor kortere werkstukken.

Wees attent op personen in de buurt

- Het behoort tot de verantwoordelijkheid van de gebruiker om ervoor te zorgen dat andere personen die zich in de buurt van de plaats waar gewerkt wordt ophouden, niet blootgesteld worden aan gevaarlijk lawaai en stof, en dat ze de beschikking hebben over geschikte beschermende uitrusting.

Verborgen objecten

- Inspecteer het werkstuk en verwijder eventuele spijkers en andere ingebedde voorwerpen alvorens het werk aan te vatten.
- Probeer geen materiaal te snijden waarin ingebedde voorwerpen aanwezig zijn, tenzij u er zeker van bent dat het snijgereedschap dat u gebruikt geschikt is voor het werk.
- In muren kunnen bedradingen en buizen verborgen zijn, in panelen van een autocarosserie brandstofleidingen, en hoog gras kan stenen en glas verbergen. Controleer de werkzone steeds grondig alvorens tot actie over te gaan.

Let op weggeslingerd afval

- In bepaalde situaties kan afvalmateriaal door het snijgereedschap weggeslingerd worden aan hoge snelheid. Het behoort tot de verantwoordelijkheid van de gebruiker om ervoor te zorgen dat andere personen in de werkzone beschermd zijn tegen de risico's van eventueel weggeslingerd afval.

Aanbrengen van snijgereedschap

- Zorg ervoor dat snijgereedschap correct en veilig is aangebracht, en controleer dat sleutels en dergelijke verwijderd zijn alvorens de werkzaamheden aan te vatten.
- Gebruik enkel snijgereedschap dat is aanbevolen voor uw machine.
- Probeer geen snijgereedschap aan te passen of te wijzigen.
- Zorg ervoor dat bladen scherp zijn, in goede staat verkeren, en correct aangebracht zijn.
- Probeer bladen die niet geschikt zijn om geslepen te worden, te slijpen. Daarbij kan het gaan om speciaal geharde bladen of om bladen die vervaardigd zijn uit geharde legeringen, legeringen die typisch wolfram omvatten.
- Bladen die wel geslepen kunnen worden, mag men enkel slijpen in overeenstemming met de instructies van de fabrikant. Het kan zijn dat dergelijke bladen slechts een beperkt aantal maal geslepen kunnen worden.
- Geslepen bladen dienen grondiger geïnspecteerd te worden voorafgaand aan het gebruik, en dienen onmiddellijk vervangen te worden indien er twijfels bestaan betreffende hun toestand en de geschiktheid ervan om gebruikt te worden.
- Indien bladen in contact komen met een ingebed object waarvoor de bladen in kwestie niet geschikt zijn, dienen ze onmiddellijk vervangen te worden.

Aanvoerrichting

- Voer het werkstuk enkel naar het blad of naar de cutter aan tegen de rotatierichting in van het blad of van de cutter.

Opgepast met ontwikkelde warmte

- Snijgereedschappen en werkstukken kunnen heet worden tijdens het gebruik. Probeer gereedschappen niet te vervangen zolang ze niet volledig afgekoeld zijn.

Controle van stof/spanen

- Zorg ervoor dat stof en spanen niet kunnen accumuleren. Zaagsel vormt een brandgevaar, terwijl sommige metaalspanen explosief zijn.
- Wees uitermate voorzichtig wanneer u hout en metaal snijdt. Vonken tijdens het snijden van metaal zijn een veelvoorkomende oorzaak van houtstofbranden.
- Gebruik indien mogelijk een stofafvoersysteem om een veilige werkomgeving te garanderen.

Veiligheid vlakschaafmachine

⚠ **WAARSCHUWING:** Gebruik het gereedschap nooit zonder de gepaste bescherming die op de correcte wijze dient ingesteld te zijn.

⚠ **WAARSCHUWING:** Welk deel dan ook van het snijblok dat niet gebruikt wordt om te schaven, dient beveiligd te zijn.

⚠ **WAARSCHUWING:** Bij het schaven van smalle werkstukken kan het zijn dat u bijkomende maatregelen dient te nemen om veilig te kunnen werken, zoals inrichtingen om horizontale druk uit te oefenen.

⚠ **WAARSCHUWING:** Schaafmachines mogen niet gebruikt worden om groeven en inkepingen aan te brengen, om pennen te vervaardigen, of om vormen te maken.

- **Maak gebruik van de gepaste ademhalingsbescherming.** Het gebruik van dit gereedschap kan aanleiding geven tot het genereren van stof dat chemicaliën omvat waarvan het geweten is dat ze kanker of aangeboren afwijkingen veroorzaken, dan wel schadelijk zijn voor de voortplanting. Sommige houtsoorten omvatten bewaarmiddelen zoals koper-chroomarsenaat (CCA) dat toxisch kan zijn. Bij het schuren van, boren in, of snijden of zagen van dergelijke materialen dient men extra op te letten om het inademen van of het in contact komen van de huid met het geproduceerde stof te voorkomen.

- **Gebruik enkel scherpe bladen.** Manipuleer de bladen zeer voorzichtig, en enkel met veiligheidschamoes.

⚠ **WAARSCHUWING:** Gebruik geen botte bladen omdat dat het gevaar op terugslag doet toenemen.

- **Zorg ervoor dat textiel, koor, lomp en, lomp en, dergelijke uit de werkzone zijn verwijderd.** Om meesleuren door het schaaftmechanisme te voorkomen.
- **Laat het gereedschap de volle snelheid bereiken alvorens het in contact wordt gebracht met het werkstuk en alvorens het snijden te starten.**
- **Schakel het gereedschap STEEDS UIT en laat de bladen volledig tot stilstand komen alvorens te trachten aanpassingen door te voeren, het gereedschap schoon te maken, of onderhoud uit te voeren.**
- **Vervang alle bladen tegelijkertijd,** zoniet kan een onbalans aanleiding geven tot trillingen en tot een verkorting van de nuttige levensduur van de schaafmachine en van de bladen
- **Probeer geen snijbewerkingen uit te voeren die niet aanbevolen zijn door de fabrikant.** Blinde sneden, inkepingen, deuvelpennen, vormen, of het schaven van ernstig verbogen hout mogen niet uitgevoerd worden met dit gereedschap.
- **Gebruik de schaafmachine niet indien ze niet is vastgezet op een veilig werkoppervlak.** Indien de machine niet stevig is vastgemaakt, kan ze plots verschuiven tijdens de werking, wat aanleiding kan geven tot ernstig letsel voor de gebruiker.
- **Houd de duwstaaf steeds in de buurt van het aanvoerplateau tijdens het uitvoeren van schaaftwerkzaamheden.** Wanneer u korte werkstuk schaaft, dient de duwstaaf gebruikt te worden. Gebruik de duwstaaf om het werkstuk voort te duwen in de buurt van het blad en in gevallen waarin het werkstuk minder dan 75 mm dik is.
- **Probeer geen sterk gebogen materiaal te schaven indien er onvoldoende contact is tussen het plateau en het materiaal.**
- **Wanneer de schaafmachine wordt verplaatst, dient u ervoor te zorgen dat de transporthandvaten worden gebruikt (niet het bedieningshandvat), en dat de vergrendelmechanismen en beveiligingen aangebracht zijn en werken.**

Voorkomen terugslag

Opmerking: Er doet zich een terugslag voor wanneer het blad plots tot stilstand komt omdat het gekneld wordt, vast komt te zitten, of verkeerd is uitgelijnd, waardoor het werkstuk in de richting van de operator wordt bewogen. Het kan ook zijn dat de handen van de operator tegen het blad worden getrokken, met ernstig letsel tot gevolg.

⚠ WAARSCHUWING: Een terugslag is het gevolg van een verkeerd gebruik van het gereedschap en/of van verkeerde bediening of omstandigheden. Terugslagkrachten kunnen echter door de operator onder controle worden gehouden of volledig voorkomen worden:

- a) **Probeer NOOIT te snijden met een bot of verwrongen blad.** Zorg er STEEDS voor dat het blad geschikt is voor het te snijden materiaal.
- b) **Zorg er STEEDS voor dat de geleiding/plateau parallel is opgesteld aan het blad.** Indien de geleiding of het plateau een inwaartse helling vertoont in de richting van het blad kan het zijn dat het werkstuk in contact komt met de rugzijde van het blad.
- c) **Wees VOORZICHTIG bij het snijden van grote werkstukken.** Zorg ervoor dat grotere delen materiaal op de correcte wijze ondersteund worden door adequate aan- en afvoersteunen te voorzien.
- d) **Snijd GEEN rond materiaal, noch materiaal dat niet plat of vlak op het plateau kan gelegd worden.** Vermijd het snijden van verwrongen, gebogen, of hout met knopen.
- e) **Snijd GEEN vochtig of nat hout omdat dergelijk hout een grotere wrijving tegen het blad creëert.** Nat zaagsel kan accumuleren op het blad, wat op zijn beurt de kans op terugslag doet toenemen.
- f) **Houd het werkstuk STEEDS stevig met beide handen vast, en positioneer uw armen op een zodanige wijze dat u eventuele terugslagkrachten kunt opvangen.**
- g) **Blijf uit het traject van het blad en positioneer uw lichaam zijdelings ten opzichte van het blad en niet in lijn ermee.**
- h) **Voer GEEN achterwaartse beweging uit een snede uit.** Indien u een snede dient te onderbreken alvorens ze volledig is afgewerkt, schakel het gereedschap dan UIT en verwijder het werkstuk van het gereedschap zodra het blad tot stilstand is gekomen.
- i) **Gebruik STEEDS duwstaven indien dat nodig is om het werkstuk langs het blad te verplaatsen.** Gebruik indien mogelijk kamplaten om werkstukken neergedrukt te houden.

16. Geleidingsmontagebeugel
17. Geleidingsvergrendelplaat
18. Geleidingschuifbeugel
19. Bladtrommel bescherming
20. Hoekgeleiding borghandvat
21. Schuifgeleiding borghandvat
22. Duwblokjes
23. Zeskantsleutel 6 mm
24. Zeskantsleutel 5mm
25. Zeskantmoersleutel 4 mm
26. Handvaten
27. Beschermingsarm
28. Zeskant moersleutel (10 x 12 mm)
29. Veerring 8 mm
30. Sluistring 8 mm
31. Afstandhouder 10 mm
32. Veerring 6 mm
33. M6 x 10 mm moer
34. M8 x 30 mm Zeskantschroef
35. M8 x 20 mm Zeskantschroef
36. 13 x 20 mm Bout
37. M6 x 25 mm Zeskantschroef
38. Buitenste Aanslagbout
39. Binnenste Aanslagbout
40. Schuifaanslagblok
41. Schuivende beschermingsplaat
42. Bladschroef
43. Bladklem
44. Instelschroef voor bladuitlijning
45. Blad
46. Zeskantschroeven motoreenheid
47. Zeskantschroeven stofafvoerenheid
48. Hulpriem
49. Aandrijfriem

Productonderdelen

1. Afvoertafel
2. Bladtrommel
3. Aanvoertafel
4. Beschermingsmontagegaten
5. Riemafdekking
6. AAN/UIT Schakelaar
7. Instelknop voor schaaftdiepte
8. Opening tafelbevestiging
9. Voedingsnoer
10. Duwstaaf opbergbeugel
11. Montage Geleidingsbeugel
12. Rubberen voeten
13. Stofafvoeropening
14. Duwstaaf
15. Geleider

Voorzien gebruik

Via het voedingsnetwerk gevoede, op een werkbank gemonteerde schaafmachine met instelbare geleiding voor het schaven van materiaal met een breedte tot 152 mm. Enkel voor lichte schaafwerkzaamheden.

Gebruik de machine enkel voor doeleinden waarvoor het bedoeld is. Elk ander gebruik dan vermeld in deze handleiding wordt beschouwd als een geval van misbruik. De gebruiker, niet de fabrikant, is aansprakelijk voor schade en/of letsel resulterend uit misbruik. De fabrikant is niet aansprakelijk voor eventuele wijzigingen aan het gereedschap, noch voor enige schade als gevolg van dergelijke wijzigingen.

Niet voor commercieel gebruik.

Het uitpakken van uw gereedschap

- Pak uw toestel / gereedschap uit. Inspecteer het en zorg dat u met alle kenmerken en functies vertrouwd raakt.
- Controleer of alle onderdelen aanwezig zijn en in goede staat verkeren. Als er onderdelen ontbreken of beschadigd zijn, zorg dan dat deze vervangen worden voor u dit toestel / gereedschap gebruikt.

Voorafgaand aan het gebruik

⚠ **WAARSCHUWING:** Zorg ervoor dat het gereedschap is losgekoppeld van de voeding alvorens accessoires aan te brengen of te vervangen, of alvorens aanpassingen door te voeren.

⚠ **WAARSCHUWING:** Gebruik STEEDS tegen sneden bestendige handschoenen (niet meegeleverd) wanneer u dit gereedschap gebruikt.

Belangrijke informatie betreffende het veilig gebruiken van dit gereedschap

- Koppel het gereedschap los van de voeding wanneer u instellingen doorvoert of onderdelen ervan vervangt.
- Vergewis u ervan dat de AAN/UIT-schakelaar (6) zich in de UIT-stand bevindt alvorens het gereedschap te verbinden met de voeding.
- Houd ledematen verwijderd van alle bewegende onderdelen.
- Draag oogbescherming en een gezichts masker wanneer u dit gereedschap gebruikt.
- Zorg ervoor dat alle bewegende onderdelen vrij bewegen en nergens een interferentie vertonen.
- Houd bladen scherp, uitgelijnd, en correct bevestigd op de kop van het gereedschap.
- Schakel de machine nooit IN wanneer het werkstuk contact maakt met de bladen.
- Wanneer de schaafmachine niet gebruikt wordt, schakelt u haar UIT en koppelt u ze los van de voeding.
- Houd de schaafmachine in perfecte toestand. Volg de onderhoudsinstructies (zie "Onderhoud").
- Gebruik de schaafmachine nooit om gedeeltelijke sneden uit te voeren - laat de machine de snede over de volledige lengte van het werkstuk uitvoeren.
- Gebruik de schaafmachine niet voor het creëren van inkepingen, deuvelpennen, of vormen.
- Let op de rotatierichting die staat aangeduid op het gereedschap.

Tafel-/plateaubevestiging

- U bevestigt de schaafmachine op een stevig en vlak met behulp van bouten, zeskantmoeren, en borgringen (niet meegeleverd), door gebruik te maken van de montagegaten (8).

Installatie van de geleiding

Bevestigen van de geleidingsmontagebeugel

1. Lijn de geleidingsmontagebeugel (16) uit met de geleidingsbeugelmontage (11), en bevestig op de juiste plaats met behulp van 2 x M8 x 20 mm zeskantschroeven (35) en 6 mm zeskantsleutel (23) (afb. I).
2. Breng de geleidingsvergrendelplaat (17) aan in de geleidingsmontagebeugel. Positioneer het geheel op een zodanige wijze dat de twee pennen aanliggen tegen de onderste rand van de geleidingsmontagebeugel.
3. Zet de geleidingsvergrendelplaat in de juiste positie vast met behulp van het schuifgeleider borghandvat (21) en de 10 mm afstandhouder (31) (afb. II).

Assembleren van de geleiding & schuifbeugel

1. Verbind de geleiding (15) met de geleidingsschuifbeugel (18) met behulp van de M6 x 25 mm zeskantschroeven (37), 6 mm veerringen (32), en 5 mm zeskantsleutel (24) (afb. III).
2. Schuif de geleiding en de schuifbeugel op de zwaluwstaart op de geleidingsmontagebeugel (16) en de geleidingsvergrendelplaat (afb. IV).
3. Schuif de geleidingshoek borghandvat (20) door een 10 mm afstandhouder (31) en vervolgens het geleidingsgeheel, en draai in wijzerzin om vast te zetten (afb. V).

Opmerking: Zowel het hoekgeleidings borghandvat (20) als het schuifgeleidings borghandvat (21) zijn voorzien van onafhankelijke veerinstellingen, wat inhoudt dat de handvaten onafhankelijk van de staaf kunnen geroteerd worden. Dit kunt u doen door de handvaten weg te trekken, te verdraaien, en vervolgens los te laten. Dit kan nuttig zijn wanneer de handvaten niet verdraaid kunnen worden omdat een deel van de schaafmachine een hindernis vormt.

Aanbrengen van de bladtrommelbescherming

1. Verbind de bladtrommelbescherming (19) met de beschermingsarm (27) met behulp van de twee M6 x 10 mm moeren (33) en de 10 mm moersleutel (28) (afb. VI).
2. Verbind het beschermingsgeheel met de schaafmachine met behulp van de beschermingsmontagegaten (4) door gebruik te maken van de twee 13 x 20 mm bouten (36), 2 x 8 mm veerringen (29) en de 12 mm sleutel (28) (afb. VII).

Aanbrengen van de draaghandvaten

1. Verbind de handvaten (26) met behulp van de M8 x 30 mm zeskantschroeven (34), 8 mm veerringen (29), 8 mm sluitringen (30), en de 6 mm zeskantsleutel (23) (afb. VIII).

Stofafvoer

- Een goede stofafvoer is van essentieel belang om een veilige werkplaats te creëren, die fijne vezels die geproduceerd worden tijdens het schaven, kunnen schadelijk zijn voor de gezondheid. Draag steeds een stofmasker wanneer u deze machine gebruikt.
- Externe stofafvoerinrichtingen kunnen met de schaafmachine verbonden worden via de stofafvoeropening (13).

Kalibratie tafel/plateau

1. Plaats een waterpas (niet meegeleverd) of dergelijke plat op de afvoertafel (1) over de bladtrommel (2) (afb. A).
2. Draai de instelknop voor de schaaftdiepte (7) in wijzerzin om de aanvoertafel (3) naar boven te brengen (kleinere schaaftdiepte), of in tegenwijzerzin om de tafel neer te laten (snijdiepte opdrijven), waarbij de aanvoer- met de afvoertafel dient uitgelijnd te zijn voor een uitzetting van 0 mm.

Positioneren van de geleiding

⚠ **WAARSCHUWING:** Zorg ervoor dat de schuivende beschermingsplaat (41) STEEDS de bladtrommel (2) bedekt aan de achterzijde van de geleiding (15) wanneer de geleiding uitsteekt over de bladtrommel tijdens de werking.

1. De hoek van de geleiding (15) kan ingesteld worden om een heel assortiment van werkstukvormen te kunnen verwerken.
2. De geleiding kan ingesteld worden onder hoeken tussen 45° inwaarts en 45° buitenwaarts.
3. Er zijn 3 vergrendelposities die gebruikmaken van aanslagen op 45° inwaarts, 45° buitenwaarts, en 90°.
4. Voor exacte metingen kunt u een precisiewinkelhaak gebruiken om de gewenste hoek van de geleiding te controleren.

Instellen van de geleiding op 90°

Plaats het geleidingsgeheel (15) op de schaafmachine en span het vergrendelhandvat van de schuifgeleiding (21) aan.

1. Los het borghandvat (20) voor de hoekgeleiding.
2. Schuif het aanslagblok (40) naar de juiste positie door de borgknop op te tillen en het blok in de richting van de geleiding te schuiven (afb. IX).
3. Positioneer de geleiding op een zodanige wijze dat het aanslagblok contact maakt met de magneet op de achterzijde van de geleiding.
4. Schuif de beschermingsplaat (41) over de blootgelegde bladtrommel (2) aan de achterzijde van de geleiding
5. Zodra ze in de juiste positie is geplaatst, spant u het vergrendelhandvat voor de hoek van de geleiding aan.

Instellen van de geleiding op 45° inwaarts

1. Plaats het geleidingsgeheel (15) op de schaafmachine en span het vergrendelhandvat van de schuifgeleiding (21) aan.
2. Los het borghandvat (20) voor de hoekgeleiding.
3. Verwijder het aanslagblok (40) om interferentie te voorkomen met het positioneren van de geleiding.
4. Kantel de bovenzijde van de geleiding naar binnen tot ze in contact komt met de inwaartse aanslagbouten (39) (afb. X).
5. Schuif de beschermingsplaat (41) over de blootgelegde bladtrommel (2) aan de achterzijde van de geleiding.
6. Span het borghandvat voor de geleidingshoek aan om de geleiding vast te zetten.

Instellen van de geleiding op 45° buitenwaarts

1. Plaats het geleidingsgeheel (15) op de schaafmachine span het vergrendelhandvat van de schuifgeleiding (21) aan.
2. Los het borghandvat (20) voor de hoekgeleiding.
3. Verwijder het aanslagblok (40) om interferentie te voorkomen met het positioneren van de geleiding.
4. Kantel de bovenzijde van de geleiding naar buiten tot ze in contact komt met de buitenwaartse aanslagbouten (38) (afb. X).
5. Schuif de beschermingsplaat (41) over de blootgelegde bladtrommel (2) aan de achterzijde van de geleiding.
6. Span het borghandvat voor de hoekgeleiding aan om de geleiding vast te zetten

Instellen van de uitlijning van het blad

⚠ **WAARSCHUWING:** Raak de snijrand van het blad (45) nooit aan omdat het ontzettend scherp is.

Opmerking: De bladen zijn in de fabriek ingesteld en behoeven geen enkele aanpassing voorafgaand aan het eerste gebruik. De bladen kunnen echter verkeerd uitgelijnd raken tijdens het transport en de manipulatie ervan, en het nauwkeurig snijden ervan dient steeds gecontroleerd te worden voorafgaand aan het gebruik ervan.

De bladen controleren

1. Positioneer een rechte rand op de afvoertafel (1) over de bladtrommel.
2. Verwijder de schroeven van de riemafdekking en de riemafdekking (5) met behulp van de 4 mm zeskantmoersleutel (25) (afb. XII).
3. Verdraai de bladtrommel door gebruik te maken van de blootgelegde aandrijfriem (49) (afb. XIII).
4. Het blad (45) moet net de rechte rand raken wanneer de trommel draait
5. Als het blad niet in contact komt met de rechte rand of de rechte rand voorwaarts trekt, moet het blad opnieuw ingesteld worden.
6. Controleer de bladhoogte aan beide einden om te controleren of het waterpas ligt van de ene naar de andere zijde.

Bladen uitlijnen

1. Verdraai de bladtrommel (2) zodat de vier bladschroeven (42) blootliggen.
2. Los de vier bladschroeven met behulp van de 4 mm zeskantmoersleutel (25) (afb. XIV).
3. Verdraai de bladtrommel zodat de vier instelschroeven voor de bladuitlijning (44) blootliggen (afb. XV).
4. Met een rechte rand boven de bladtrommel op de afvoertafel (1), verdraait u de instelschroef voor de bladuitlijning tot het blad net contact maakt met de rechte rand wanneer de trommel wordt verdraaid (afb. XVIII).
5. Herhaal dit voor de tweede instelschroef zodat het blad waterpas ligt van de ene naar de andere zijde.
6. Zodra het blad is uitgelijnd, spant u de vier bladschroeven opnieuw aan en herhaalt u de uitlijningsprocedure op het tweede blad.

Transport

- Wanneer u de schaafmachine verplaatst of opslaat, dient u ervoor te zorgen dat de bladtrommel bescherming (19) omlaag over de kop is geplaatst en dat alle afschuin- en instelvergrendelingen veilig zijn aangebracht.
- Gebruik enkel de handvaten (26) om de schaafmachine op te tillen en te verplaatsen.
- Indien de schaafmachine is opgesteld op een werkbank of op een steun dient u ervoor te zorgen dat de bevestigingen verwijderd zijn en dat u de schaafmachine vrij kunt verplaatsen.
- Indien de schaafmachine op een verplaatsbare plaat is aangebracht, dient u ervoor te zorgen dat de plaat is losgemaakt van de werkbank of van de steun, zodat u het geheel vrij kunt verplaatsen.
- Tijdens het verplaatsen of het transporteren van de dient zij steeds rechtop gehouden te worden.

Werking

⚠ **WAARSCHUWING:** Draag bij het werken met deze machine STEEDS oogbescherming, geschikte ademhalings- en oorbeschermers, alsook geschikte handschoenen.

⚠ **WAARSCHUWING:** Zorg ervoor dat het gereedschap is losgekoppeld van de voeding alvorens accessoires te bevestigen of te vervangen, of alvorens instellingen door te voeren.

BELANGRIJK: Inspecteer de schaafmachine voorafgaand aan elk gebruik. Alvorens de machine met de voeding te verbinden, dient u de beschermingen en beveiligingen, alsook de correcte werking van de veiligheidskenmerken van deze machine te controleren.

BELANGRIJK: Zorg ervoor dat de gebruiker van het gereedschap correct is opgeleid voor wat betreft de bediening, het instellen, en het onderhoud van de schaafmachine alvorens de machine met de voeding te verbinden en ze te gebruiken.

⚠ **WAARSCHUWING:** Zorg er STEEDS voor dat de machine is losgekoppeld van de voeding alvorens welke onderdelen ervan dan ook aan te passen of te vervangen. Neem de rotatierichting van het blad in acht en vergelijk met de correcte draairichting van het gereedschap.

Instellen van de snijdiepte

⚠ **WAARSCHUWING:** Zorg er STEEDS voor dat het gereedschap is uitgeschakeld en dat de stekker is verwijderd uit het stopcontact alvorens de snijdiepte aan te passen. Wijzig de snijdiepte NOOIT terwijl het gereedschap is ingeschakeld.

BELANGRIJK: Het snijbereik van deze schaafmachine is terug te vinden in de specificaties en dient strikt nageleefd te worden.

1. Om de snijdiepte aan te passen, draait u de instelknop (7) voor de schaaftdiepte in tegenwijzerzin om de schaaftdiepte te verhogen, en in wijzerzin om de schaaftdiepte te reduceren (afb. XVI).
2. Elke volledige omwenteling van de instelknop voor de schaaftdiepte vergroot of verkleint de schaaftdiepte met 0,75 mm.
3. Voor een nauwkeurige meting voert u een testsnede uit op een stuk afvalhout en meet u het resultaat op.

In- en uitschakelen

Zorg ervoor dat het voedingsnoer (9) is verbonden met het voedingsnetwerk alvorens u tracht om het gereedschap IN te schakelen.

- De Aan-knop (6) bevindt zich aan de voorzijde van de schaafmachine
- Om de schaafmachine IN te schakelen, drukt u op de groene I-schakelaar
- Om de schaafmachine UIT te schakelen, drukt u op de rode O-schakelaar

Bediening schaafbank

⚠ **WAARSCHUWING:** Tijdens het gebruik van dit gereedschap dient de gebruiker steeds langs de zijde van de aanvoertafel (3) van de schaafmachine gepositioneerd te zijn, en mag hij of zij op geen enkel moment over de bladtrommel (2) reiken tijdens het gebruik van de machine.

⚠ **WAARSCHUWING:** Houd handen en vingers ten minste 150 mm verwijderd van de bladtrommel (2). Wanneer een werkstuk in de buurt van de bladtrommel wordt gebracht, moet u steeds een duwstaaf (14) of duwblokjes (22) gebruiken.

⚠ **WAARSCHUWING:** Indien de bladtrommel tijdens het schaven om welke reden dan ook stopt, schakel dan onmiddellijk de voeding van de machine UIT. Herstart het gereedschap niet halverwege een uitgevoerde snede, en probeer geen gedeeltelijke sneden door het werkstuk aan te brengen.

⚠ **WAARSCHUWING:** Berg de duwstaaf steeds op in de opbergbeugel (10), zodat hij gemakkelijk tevoorschijn kan gehaald en gebruikt worden tijdens de schaaftwerkzaamheden.

⚠ **WAARSCHUWING:** Deze schaafmachine is ENKEL ontworpen voor gebruik met droge en natuurlijke houtvezels. Gebruik deze machine nooit om metaal, plastic, gelamineerde materialen, gelaagd hout, MDF, of andere synthetische producten te bewerken. Probeer geen sterk gebogen materiaal te schaven indien er onvoldoende contact is tussen het plateau en het materiaal.

⚠ **WAARSCHUWING:** Zorg ervoor dat de schuivende beschermingsplaat (41) STEEDS de bladtrommel (2) bedekt aan de achterzijde van de geleiding (15) wanneer de geleiding uitsteekt over de bladtrommel tijdens de werking.

BELANGRIJK: Neem steeds het type hout en de toestand van het werkstuk in beschouwing alvorens de werkzaamheden met deze machine aan te vatten. Voer enkel ondiepe sneden uit op hardere materialen of op materialen met ruwe oppervlakken.

Gebruik van de bescherming

⚠ **WAARSCHUWING:** Gebruik het gereedschap nooit zonder de juiste beschermkap op zijn plaats of correct afgesteld.

Voordat u een snede maakt, gebruikt u de stelschroeven op de beschermingsarm (27) om de bladtrommel bescherming (19) zo te positioneren dat elk deel van de bladtrommel (2) dat blootligt wanneer het werkstuk op zijn plaats is, wordt bedekt - zie Afbeeldingen A - D.

Vlakschaven

Zie afbeelding B.

- Vlakschaven dient om een vlak oppervlak te creëren op een werkstuk als voorbereiding voor het van maat schaven.

1. Stel de aanvoertafel (3) in op de gewenste snijdiepte

BELANGRIJK: Voer tijdens vlakschaven enkel ondiepe sneden uit om terugslag te voorkomen

2. Stel de geleiding (15) in op 90° (zie "Positioneren van de geleiding").
3. Start de schaafmachine.
4. Plaats het werkstuk stevig op de aanvoertafel (3) en tegen de geleiding.
5. Lijn de bescherming (19) uit - zie bescherming gebruiken.
6. Beweeg het werkstuk volledig over de schaaaf onder een stevige druk tegen de geleiding en op de tafel, en dit gedurende de volledige snede.
7. Herhaal indien nodig, tot de gewenste afwerking is bereikt.

Afvlakken van randen

Zie afbeelding C.

- Het afvlakken van randen gebeurt om een vlak oppervlak te creëren langs de zijde van een werkstuk. Dit is van essentieel belang bij het aanleggen van een haakse voorraad of als voorbereiding van een werkstuk voor afwerking of voor het maken van verbindingen.

1. Stel de aanvoertafel (3) in op de gewenste snijdiepte

BELANGRIJK: Voer tijdens het afvlakken enkel ondiepe sneden uit om terugslag te voorkomen.

2. Stel de geleiding (15) in op 90° (zie "Positioneren van de geleiding").
3. Start de schaafmachine.
4. Plaats het werkstuk stevig op de aanvoertafel (3) en tegen de geleiding.
5. Lijn de bescherming (19) uit - zie bescherming gebruiken.
6. Beweeg het werkstuk volledig over de schaaaf onder een stevige druk tegen de geleiding en op de tafel, en dit gedurende de volledige snede.
7. Herhaal indien nodig, tot de gewenste afwerking is bereikt.

Afschuinen

Zie afbeelding D.

- Hierbij gaat het om sneden onder een hoek die uitgevoerd kunnen worden door de geleiding (15) onder de gewenste hoek te plaatsen en door het werkstuk langs de geleiding te verplaatsen. Dit proces vereist gewoonlijk diverse doorgangen of sneden om de gewenste afwerking te realiseren.

1. Stel de aanvoertafel (3) in op de gewenste snijdiepte

BELANGRIJK: Voer tijdens het afschuinen enkel ondiepe sneden uit om terugslag te voorkomen.

2. Stel de geleiding in op de gewenste hoek (zie "Positioneren van de geleiding").
3. Plaats het werkstuk vlak op de aanvoertafel en tegen de geleiding, met de concave zijde naar onderen.

4. Start de schaafmachine.

5. Lijn de bescherming (19) uit - zie bescherming gebruiken.

6. Houd het werkstuk tegen de geleiding en tegen de tafel aangedrukt met het duwblokje (22) en duw het verder met het tweede duwblokje.

7. Herhaal tot de gewenste afwerking bereikt is.

Accessories

- Een assortiment accessoires en verbruiksmaterialen, met inbegrip van gezichtsmaskers, stofafvoersystemen, en werkhandschoenen is te verkrijgen bij uw Triton leverancier
- Reserveonderdelen kunt u aankopen via toolsparensonline.com

Onderhoud

⚠ WAARSCHUWING: Zorg ervoor dat het gereedschap is losgekoppeld van de voeding alvorens accessoires aan te brengen of te vervangen, of alvorens aanpassingen door te voeren.

⚠ WAARSCHUWING: Draag STEEDS veiligheidshandschoenen wanneer u de bladtrommel (2) en de componenten daarvan manipuleert

- Dit gereedschap is vervaardigd op basis van de beste componenten, en omvat de meest recente intelligente schakelingen die het gereedschap en de componenten ervan beschermen. Indien u het gereedschap op de gepaste wijze gebruikt, is een lange levensduur verzekerd.
- Delen van dit gereedschap die door de gebruiker vervangen kunnen worden, omvatten:

- I. Bladen
- II. Aandrijfriem
- III. Hulpriem

Opmerking: Onderhoudsinstructies voor deze items zijn terug te vinden in dit deel van de handleiding.

Algemene inspectie

- Controleer regelmatig of alle bevestigingsschroeven aangedraaid zijn
- Inspecteer het netsnoer van het gereedschap op eventuele schade of slijtage, voorafgaand aan elk gebruik. Reparaties mogen enkel uitgevoerd worden door een geautoriseerd Triton-servicecentrum. Dit geldt eveneens voor verlengsnoeren die in combinatie met dit gereedschap gebruikt worden.
- Indien u niet zeker bent van de wijze waarop welke dan ook van de volgende onderhoudsprocedures dient uitgevoerd te worden, probeer dat dan NIET, en laat het onderhoud uitvoeren door een geautoriseerde Triton-servicecentrum.

Schoonmaken

⚠ WAARSCHUWING: Wanneer u het gereedschap schoonmaakt of blokkeringen verwijdert, dient het gereedschap losgekoppeld te zijn van de voeding en UIT-geschakeld te zijn. Draag steeds snijbestendige veiligheidshandschoenen wanneer u de schoonmaakprocedures uitvoert, omdat het gereedschap scherpe oppervlakken en componenten omvat.

- Houd het gereedschap te allen tijde schoon. Vuil en stof geven aanleiding tot een snelle slijtage van de interne onderdelen, en verkorten de levensduur van de machine. Maak het lichaam van het gereedschap schoon met een zachte borstel of met een droog doek. Indien aanwezig, maak dan gebruik van droge perslucht om de ventilatiegaten door te blazen
- Na gebruik dient u de schaafmachine te ontdoen van spanen, zaagsel, en restmateriaal met behulp van een stofzuiger.
- Verwijder zaagsel, houtkrullen, en smeervet van de riem, overbrengingen, en bewegende delen.
- Maak de behuizing van het gereedschap schoon met een zachte vochtige doek en met een milde detergent. Gebruik geen alcohol, petroleum, of sterke schoonmaakmiddelen.
- Gebruik nooit bijtende middelen om plastic onderdelen schoon te maken

Vervanging van het blad

⚠ WAARSCHUWING: Draag STEEDS snijbestendige veiligheidshandschoenen wanneer u de bladen (45) manipuleert.

BELANGRIJK: Gebruik enkel bladen die specifiek ontworpen zijn voor de machine.

1. Verwijder de riemafdekking (5) met behulp van de 4 mm zeskantmoersleutel (25) (afb. XII).
2. Verdraai de bladtrommel zodat de vier bladschroeven (42) blootliggen
3. Verwijder de vier bladschroeven (afb. XIV).
4. Verwijder voorzichtig de bladkleem (43) en het blad (45).
5. Vervang het blad oor het op de instelschroeven voor de bladuitlijning (44) (afb. XVII) te lokaliseren.
6. Breng de bladschroeven aan en lijn het blad opnieuw uit (zie "Uitlijnen van de bladen").
7. Herhaal de procedure voor het tweede blad.

Vervangen van de riem

Vervangen van de hulpriem

1. Leg de schaafmachine op de grond of op de werkbank, zodat de basis van het gereedschap toegankelijk is.
2. Schroef het onderdeksel los en verwijder het.
3. Los de twee zeskantschroeven (47) van de stofafvoerenheid, zonder ze echter te verwijderen, zodat de stofafvoerenheid zijdelings kan bewegen.
4. Vervang de hulpriem (48).
5. Span de riem aan en draai de zeskantschroeven opnieuw vast.
6. Breng het onderdeksel opnieuw aan.

Vervangen van de aandrijfriem

1. Leg de schaafmachine op de grond of op de werkbank, zodat de basis van het gereedschap toegankelijk is.
2. Schroef het onderdeksel los en verwijder het.
3. Verwijder de hulpriem (48) (zie "Vervangen van de hulpriem").
4. Los de twee zeskantschroeven (46) van de motoreenheid, zonder ze echter te verwijderen, zodat de motoreenheid zijdelings kan bewegen.
5. Verwijder de aandrijfriem (49).
6. Vervang de aandrijfriem.
7. Span de riem aan en draai de zeskantschroeven opnieuw vast.
8. Breng de hulpriem en het onderdeksel opnieuw aan.

Smering

- Smeer alle bewegende onderdelen lichtjes en op regelmatige tijdstippen met behulp van een geschikt sproei- of smeermiddel.
- De lagers in motor- en snijkoppeenheid zijn in de fabriek afgedicht en behoeven geen verdere smering
- Componenten die regelmatige smering vereisen:
 - o Schroefdraad knop diepte-instelling
 - o Schuifbeugel geleiding
 - o Borgknop hoek geleiding
 - o Borgknop schuifgeleiding
 - o Instelmechanisme beveiliging
- Verwijder smeermiddelresidu's van de overige componenten met behulp van minerale oplosmiddelen indien dat nodig is, en breng vervolgens een laag licht multifunctioneel vet aan (niet meegeleverd)
- De werktafels of -plateaus kunnen gecoat worden met een zeer dunne laag smeeras (niet meegeleverd) om het oppervlak ervan te beschermen tegen roest en om de vlotte aanvoer tijdens het werken met de machine mogelijk te maken

Borstels

- In de loop van de tijd kunnen de koolstofborstels van de motor afslijten
- Buitensporig afgesleten borstels kunnen de oorzaak zijn van vermogensverlies, van defecten, of van zichtbare vonk Vorming
- Indien u denkt dat de borstels versleten zouden kunnen zijn, laat ze dan vervangen door een geautoriseerd Triton-servicecentrum

Opberging

- Berg de machine op een droge en veilige plek, buiten het bereik van kinderen op.

Contact

Voor technische ondersteuning of voor reparatieadvies, gelieve contact op te nemen met de hulplijn op (+44) 1935 382 222

Web: www.tritontools.com

VK-Adres:

Toolstream Ltd.
Boundary Way
Lufton Trading Estate
Yeovil, Somerset
BA22 8HZ, Verenigd Koninkrijk

EU-Adres:

Toolstream B.V.
Hogeweg 39
5301 LJ Zaltbommel
Nederland

Afvoer

Bij het buiten gebruik stellen en de afvoer van elektrische machines die niet langer werken en die niet gerepareerd kunnen worden, neemt u de nationale voorschriften in acht.

- Elektrische en elektronische apparaten (WEEE) mogen niet met huishoudelijk afval worden weggegooid.
- Neem contact op met uw gemeente voor informatie betreffende de verwijdering en afvoer van elektrisch gereedschap

Problemen oplossen

Probleem	Mogelijke oorzaak	Oplossing
Geen effect wanneer de AAN/UIT-schakelaar (6) wordt gebruikt	Geen spanning	Controleer de voeding
	AAN/UIT-schakelaar defect	Laat de aan/uit-schakelaar vervangen door een geautoriseerd Triton-servicecentrum
Motor start niet	Versleten koolstofborstels	De borstels dienen vervangen te worden
Slechte afwerking van het oppervlak na het schaven	Te grote snijdiepte	Reduceer de snijdiepte en ga te werk met diverse doorgangen
	Botte bladen (45)	Draai of vervang de bladen (zie "Vervangen van de bladen")
	Hout is vochtig	Schakel onmiddellijk UIT. Evalueer en corrigeer de positionering van de bladen (zie "Vervangen van de bladen")
Trommel roteert niet	Aandrijfriem (49) gebroken	Zie "Vervangen van de aandrijfriem" en vervang de riem
Trilling of abnormaal geluid	Stop het gebruik van het gereedschap onmiddellijk	Controleer of alle, door de gebruiker toegankelijke delen correct en stevig aangebracht zijn.
		Neem contact op met een geautoriseerde Triton-servicecentrum

Garantie

Om uw garantie te registreren, gaat u naar onze website op tritontools.com* en voert u uw gegevens in.

Aankoopgegevens

Datum van aankoop: ___ / ___ / ____

Model: TSPL152

Bewaar uw aankoopbon als aankoopbewijs rt pr

Triton Precision Power Tools garandeert de koper van dit product dat indien een onderdeel defect is vanwege fouten in materiaal of uitvoering binnen 3 jaar na de datum van de oorspronkelijke aankoop, Triton het defecte onderdeel gratis repareert of, naar eigen inzicht, vervangt.

Deze garantie heeft geen betrekking op commercieel gebruik en strekt zich niet uit tot normale slijtage of schade ten gevolge van een ongeluk, verkeerd gebruik of misbruik.

* Registreer online binnen 30 dagen.

Algemene voorwaarden van toepassing.

Traduction des instructions originales

Introduction

Nous vous remercions d'avoir choisi ce produit Triton. Ces instructions contiennent les informations nécessaires au fonctionnement efficace et sûr de ce produit. Veuillez lire attentivement ce manuel pour vous assurer de tirer pleinement avantage des caractéristiques uniques de votre nouveau produit. Gardez ce manuel à portée de main et assurez-vous que tous les utilisateurs l'aient lu et bien compris avant toute utilisation. Veuillez conserver ces instructions et consignes de sécurité avec le produit pour toute référence ultérieure.

Description des symboles

La plaque signalétique figurant sur votre produit peut présenter des symboles. Ces symboles constituent des informations importantes relatives au produit ou des instructions concernant son utilisation.



Port de protections auditives
Port de protections oculaires
Port de protections respiratoires
Port du casque



Port de gants



Lire le manuel d'instructions



NE PAS utiliser sous la pluie ou dans un environnement humide !



TOUJOURS débrancher l'appareil avant d'effectuer un réglage, de changer d'accessoire, de le nettoyer, de l'entretenir, ou lorsqu'il n'est plus utilisé !



AVERTISSEMENT : les pièces mobiles peuvent occasionner écrasements et coupures



NE PAS toucher les lames avant que la machine ne soit débranchée et que les lames aient atteint un arrêt complet.



AVERTISSEMENT : CE PRODUIT EST LOURD Ne pas porter sans se faire aider, risque de blessures. Faites-vous aider pour déplacer ou le soulever le produit.
AVERTISSEMENT : ce produit est lourd et deux personnes sont ainsi nécessaires à l'assemblage de celui-ci.



Construction de classe I (mise à la terre)



Protection de l'environnement

Les appareils électriques usagés ne doivent pas être jetés avec les ordures ménagères. Veuillez les recycler dans les centres prévus à cet effet. Pour plus d'informations, veuillez contacter votre municipalité ou point de vente.



Conforme aux réglementations et aux normes de sécurité pertinentes.



Attention !



ATTENTION à l'effet de rebond !



Pour usage à l'intérieur uniquement !




Dispositif d'évacuation de la poussière nécessaire ou vivement recommandé.

Abréviations pour les termes techniques

V	Volt(s)
~	Courant alternatif
A, mA	Ampère(s), Milliampère(s)
n_0	Vitesse à vide
Nm	Newton-mètre(s) (couple de serrage)
psi	Livre(s)-force par pouce carré (unité de mesure de contrainte et de pression britannique)
°	Degré(s)
Hz	Hertz
W, kW	Watt(s), Kilowatt(s)
min ⁻¹	Opération(s) par minute
dB (A)	Puissance acoustique en décibel (A pondéré)

Caractéristiques techniques

Modèle :	TSPL152
Tension :	220-240 V~, 50/60 Hz
Puissance :	1 100 W
Fusible de la prise (GB uniquement) :	13 A
Vitesse à vide :	8 000 min ⁻¹
Profondeur de rabotage max. :	0 - 3,2 mm
Largeur de rabotage :	0 - 152,4 mm
Dimensions du plateau :	771 x 250 mm
Plage de réglage de l'angle :	45 - 135°
Diamètre de la tubulure d'extraction des poussières :	Interne : 50 mm Externe : 60 mm
Classe de protection :	
Indice de protection :	IP20 / IP54
Longueur du câble d'alimentation :	2 m
Dimensions (L x l x H) :	965 x 505 x 315 mm
Poids :	25,4 kg
Dans le cadre du développement continu de nos produits, les caractéristiques techniques des produits Triton peuvent être modifiées sans notification préalable.	
Informations sur le niveau sonore et vibratoire	
Pression acoustique L _{PA} :	94,3 dB (A)
Puissance acoustique L _{WA} :	107,3 dB (A)
Incertitude K :	3 dB (A)

L'intensité sonore peut dépasser 85 dB (A) et il est nécessaire que l'utilisateur prenne des mesures de protection sonore.

⚠ AVERTISSEMENT : portez toujours des protections auditives lorsque le niveau d'intensité est supérieur à 85 dB (A) et limitez le temps d'exposition si nécessaire. Si l'intensité sonore devient inconfortable, même avec les protections, arrêtez immédiatement d'utiliser l'appareil, vérifiez que les protections sont bien en places et adaptés avec le niveau sonore produit par le produit.

⚠ AVERTISSEMENT : l'exposition de l'utilisateur aux vibrations peut entraîner une perte du toucher, des engourdissements, des picotements et ainsi réduire la capacité de préhension. De longues expositions peuvent également provoquer ces symptômes de façon chronique. Si nécessaire, limitez le temps d'exposition aux vibrations et portez des gants anti-vibrations. N'utilisez pas ce produit lorsque la température de vos mains est en dessous des températures normales, car l'effet vibratoire en est accentué. Référez-vous aux "Informations relatives au niveau d'intensité sonore et vibratoire" fournies dans les "Caractéristiques techniques" pour calculer le temps et la fréquence d'utilisation du produit.

⚠ AVERTISSEMENT : l'émission de vibrations effective au cours de l'utilisation de l'appareil peut différer de la valeur totale déclarée en fonction de la manière dont l'outil est utilisé. Il sera utile d'identifier les mesures de sécurité afin de protéger l'utilisateur en fonction de l'estimation de l'exposition en conditions réelles d'utilisation (en prenant en compte toutes les phases du cycle de fonctionnement telles que les périodes où l'outil est éteint, lorsqu'il est allumé mais inactif, en plus du temps de déclenchement).

La valeur totale des vibrations déclarée a été mesurée conformément à une méthode d'essai normalisée et permet de comparer un outil à un autre. La valeur totale des vibrations déclarée peut également être utilisée lors d'une évaluation préliminaire d'exposition.

Les niveaux sonores et vibratoires indiqués dans la section "Caractéristiques techniques" du présent manuel sont déterminés en fonction de normes internationales. Ces données correspondent à un usage normal du produit, et ce dans des conditions de travail normales. Un produit mal entretenu, mal assemblé ou mal utilisé peut augmenter les niveaux sonores et vibratoires. Le site www.osha.europa.eu offre de plus amples informations sur les niveaux sonores et vibratoires sur le lieu de travail, celles-ci pourront être utiles à tout particulier utilisant des produits/outils/appareils électriques pendant des périodes prolongées.

Consignes générales de sécurité relatives à l'utilisation d'appareils électriques

⚠ AVERTISSEMENT : veuillez lire toutes les consignes de sécurité et toutes les instructions dispensées dans le présent manuel. Le non-respect des instructions et consignes de sécurité peut entraîner un risque de décharge électrique, d'incendie et/ou se traduire par des blessures graves.

⚠ AVERTISSEMENT : cet appareil n'est pas conçu pour être utilisé par des personnes (enfants compris) ayant des capacités physiques ou mentales réduites, ou n'ayant pas la connaissance ou l'expérience requise, à moins d'être sous la supervision d'une personne responsable de leur sécurité ou d'avoir reçu les instructions nécessaires. Les enfants ne doivent pas s'approcher et jouer avec cet appareil.

ATTENTION : utiliser l'appareil électrique et ses accessoires conformément à ces instructions, en tenant compte des conditions de travail et de la tâche à réaliser. Toute utilisation d'un appareil électrique autre que celle pour laquelle il a été conçu peut entraîner des risques.

L'expression « appareil électrique » employée dans les présentes consignes recouvre aussi bien les appareils filaires à brancher sur secteur que les appareils sans fils fonctionnant avec batterie.

1 **Maintenir une zone de travail propre.** Des zones encombrées et mal éclairées sont sources d'accidents.

2 **Prendre en compte la zone de travail**

- Ne pas exposer les outils à la pluie,
- Ne pas utiliser les outils dans des endroits humides,
- Travailler dans une zone bien éclairée,
- Ne pas utiliser d'outils électriques dans des environnements explosifs, tels qu'à proximité de liquides, de gaz ou de poussières inflammables.

3 **Éviter les décharges électriques.** Éviter le contact corporel avec les surfaces mises à la terre telles que tuyaux, radiateurs, cuisinières et réfrigérateurs.

4 **Éloigner les personnes aux alentours.** Ne laisser aucune personne dont la présence n'est pas nécessaire, surtout les enfants, s'approcher de la zone de travail et d'être en contact avec l'appareil.

5 **Ranger les appareils électriques.** Ranger les appareils inutilisés dans un endroit sûr, sec et hors de portée des enfants.

6 **Ne pas forcer sur l'appareil électrique.** Un appareil électrique adapté et employé au rythme pour lequel il a été conçu permettra de réaliser un travail de meilleure qualité et dans de meilleures conditions de sécurité.

7 **Utiliser l'appareil électrique approprié au travail à effectuer.**

Ne pas utiliser de petits outils pour des tâches intensives. Ne pas utiliser un outil sur des tâches pour lesquelles il n'a pas été conçu ; par exemple, ne pas utiliser une scie circulaire pour couper les bûches de bois.

8 **Porter des vêtements appropriés**

- Ne pas porter de vêtements amples ou des bijoux pendants qui peuvent être happés par les pièces en rotation.
- Le port de chaussures de sécurité est recommandé en extérieur.
- Attacher et protéger les cheveux longs.

9 **Porter un équipement de protection approprié**

- Utiliser des protections oculaires.
- Porter un masque à poussières lors de travaux créant de la poussière.

⚠ AVERTISSEMENT : Le fait de ne pas porter d'équipements de protection personnelle appropriés peut entraîner des blessures graves.

10 **Brancher un système d'extraction de la poussière.** Si l'appareil est pourvu de dispositifs destinés au raccord d'équipements d'extraction et de récupération de la poussière/sciure, s'assurer qu'ils soient bien fixés et utilisés correctement.

11 **Ne pas maltraiter le cordon électrique.** Ne jamais utiliser le cordon électrique pour porter, tirer ou débrancher l'appareil. Protéger le cordon électrique de la chaleur, du contact avec l'essence, des bords tranchants et pièces rotatives. Un cordon électrique endommagé ou entortillé accroît le risque de décharge électrique.

12 **Immobiliser votre travail.** Si possible, utiliser des serre-joints ou un étai pour maintenir la pièce de travail. C'est plus sûr et efficace que de tenir avec la main.

13 **Ne pas essayer d'atteindre une zone hors de portée.** Gardez une position stable afin de maintenir votre équilibre.

14 **Veiller à l'entretien des appareils électriques**

- Garder les appareils de coupe affûtés et propres. Des appareils de coupe bien entretenus, aux tranchants bien affûtés, sont moins susceptibles de se gripper et sont plus faciles à contrôler.
- Suivre les instructions de lubrification et de changement des accessoires.
- Vérifier régulièrement l'état des câbles et les faire réparer/remplacer par un centre agréé si nécessaire.
- Vérifier également l'état des rallonges utilisées.
- Veiller à ce que les poignées et toute surface de préhension de l'appareil soient toujours propres, sèches et exemptes d'huile et de graisse.

⚠ AVERTISSEMENT : de nombreux accidents sont entraînés par l'utilisation d'appareils électriques mal entretenus.

15 **Débrancher l'appareil électrique.** Lorsque l'appareil n'est pas utilisé, ou avant toute opération d'entretien ou de changement d'accessoires, veiller à débrancher l'appareil de sa source d'alimentation.

⚠ AVERTISSEMENT : utiliser des accessoires non recommandés par le fabricant peut engendrer des blessures.

16 **Enlever les clés et outils de réglage.** Prendre l'habitude de retirer ces outils avant de mettre l'appareil en marche.

17 **Éviter tout démarrage accidentel ou intempestif.** S'assurer que l'interrupteur marche-arrêt soit en position d'arrêt avant de brancher l'appareil sur l'alimentation secteur ou d'installer la batterie, de prendre l'appareil ou de le transporter.

⚠ AVERTISSEMENT : les démarrages accidentels peuvent entraîner des blessures graves.

18 **Utiliser des rallonges pour l'extérieur.** Lors d'une utilisation de l'appareil électrique en extérieur, se servir d'une rallonge appropriée à une utilisation en extérieur. Cela réduit le risque de décharge électrique.

19 **Rester vigilant**

- Faire preuve de bon sens lors de la manipulation de l'appareil.
- Ne pas utiliser un appareil électrique lorsque l'on se trouve dans un état de fatigue, sous l'influence de drogues, d'alcool ou de médicaments.

⚠ AVERTISSEMENT : un moment d'inattention pendant l'utilisation d'un outil électrique peut entraîner des blessures graves.

20 Inspecter les pièces endommagées

- Avant d'utiliser un appareil, toujours vérifier qu'il soit en bon état de marche.
- Vérifier que les éléments rotatifs soient bien alignés et non grippés. S'assurer de l'absence de pièces cassées ou endommagées susceptibles de nuire au bon fonctionnement de l'appareil.
- Une protection ou partie défectueuse doit être réparée ou remplacée par un centre agréé, sauf en cas d'indication du manuel.
- Les interrupteurs défectueux doivent être remplacés par un centre de réparation agréé.

⚠ **AVERTISSEMENT** : ne pas utiliser un appareil électrique si l'interrupteur marche-arrêt ne permet plus d'allumer ou d'éteindre l'appareil. L'interrupteur doit être réparé avant d'utiliser l'appareil.

21 **Faire réparer l'appareil par une personne qualifiée.** Cet appareil est conforme aux normes de sécurité en vigueur. Cela permet de maintenir la sécurité d'utilisation de l'appareil électrique et d'éviter des risques considérables pour l'utilisateur.

⚠ **AVERTISSEMENT** : utiliser uniquement des pièces de rechange identiques.

⚠ **AVERTISSEMENT** : si le câble d'alimentation est endommagé, le faire remplacer par le fabricant ou un centre agréé.

22 **La prise d'un appareil électrique doit être adaptée à la prise du secteur.** Ne jamais modifier la prise en aucune façon. Ne jamais utiliser d'adaptateur sur la prise électrique d'appareil mis à la terre. Des prises non modifiées, adaptées aux boîtiers de prise de courant, réduiront le risque de décharge électrique.

23 **Si une utilisation de l'appareil électrique dans un environnement humide ne peut être évitée, utiliser une alimentation protégée par un disjoncteur différentiel.** L'utilisation d'un disjoncteur différentiel réduit le risque de décharge électrique.

REMARQUE : le terme « Disjoncteur Différentiel Résiduel » (DDR / RCD) peut être remplacé par le terme « Disjoncteur Différentiel de Fuite à la Terre » (DDFT / GFCI) ou « Disjoncteur de Fuite à la Terre (DFT / ELCB) ».

24 **Lorsqu'utilisé en Australie ou en Nouvelle Zélande, il est recommandé que cet appareil soit TOUJOURS alimenté via un disjoncteur différentiel ayant un courant résiduel de 30 mA ou moins.**

25 **Utilisez une rallonge adaptée.** Vérifiez que les rallonges électriques soient toujours en bon état. Lors de l'utilisation d'une rallonge, assurez-vous qu'elle soit adaptée au transport du courant requis par l'appareil utilisé spécifiquement. Un câble sous-dimensionné entraînera une baisse de tension et conduira à une perte de puissance voire à une surchauffe.

26 **Ne laissez jamais un outil en fonctionnement sans surveillance. Éteignez toujours l'appareil.** Ne vous éloignez pas de votre appareil avant qu'il ne parvienne à un arrêt complet.

Sachez qu'utiliser un outil conformément aux instructions ne garantit pas l'élimination de tous les facteurs de risque. Procédez avec prudence. N'utilisez pas cet outil si vous avez des doutes quant à la manière sûre et correcte de procéder.

⚠ **AVERTISSEMENT** : avant de brancher l'outil sur l'alimentation secteur, vérifiez que la tension d'alimentation est la même que celle indiquée sur la plaque signalétique de l'outil. Une alimentation électrique dont la tension est supérieure à celle indiquée sur l'outil risque d'entraîner des blessures chez l'utilisateur et des dommages sur l'outil. En cas de doute, ne branchez pas l'outil. L'utilisation d'une source de courant dont la tension est inférieure à celle indiquée sur l'outil peut endommager le moteur.

Consignes de sécurité relatives aux outils de coupe

⚠ **AVERTISSEMENT** : avant de brancher l'outil sur l'alimentation de secteur, vérifiez bien que la tension d'alimentation soit la même que celle indiquée sur la plaque signalétique de l'outil. Une alimentation électrique dont la tension est supérieure à celle indiquée sur l'outil risque d'entraîner des blessures chez l'utilisateur et des dommages sur l'outil. En cas de doute, ne branchez pas l'outil. L'utilisation d'une source de courant dont la tension est inférieure à celle indiquée sur l'outil peut endommager le moteur.

Utilisation de l'outil de coupe approprié

- Assurez-vous que votre outil de coupe convient au travail entrepris. Référez-vous toujours à la notice d'utilisation, ne présumez pas qu'un outil est approprié à la tâche sans faire de vérification préalable.

Protection oculaire

- Portez toujours des protections oculaires appropriées lors de l'utilisation d'outils de coupe.
- Les lunettes ordinaires n'ont pas pour fonction de fournir une protection efficace à l'utilisation de ce produit. Des verres normaux ne résistent pas aux impacts et pourraient éclater.

Protection auditive

- Portez toujours des protections auditives appropriées lorsque le niveau sonore dépasse 85 dB.

Protection respiratoire

- Assurez-vous de porter, ainsi que toute personne à proximité, un masque antipoussière approprié.

Protection des mains

- Ne placez pas vos mains près des accessoires de coupe. Utilisez un bâton poussoir adapté pour les petites pièces à travailler avec l'outil électroporatif adapté.

Tenez compte des personnes autour de vous

- Il en va de la responsabilité de l'utilisateur de s'assurer que les personnes se trouvant à proximité de la zone de travail ne soient pas exposées à des niveaux sonores dangereux ou à des concentrations de poussières dangereuses et qu'ils disposent de protections appropriées.

Objets cachés

- Avant d'effectuer une coupe, vérifiez qu'aucun corps étranger ne se trouve dans la pièce de travail.
- Ne coupez aucun matériau comportant des corps étrangers à moins d'être certain que l'accessoire installé sur votre appareil convient à ce travail.
- Des fils électriques et des tuyaux peuvent être dissimulés dans les murs, des durites de carburant peuvent être dissimulées dans les panneaux de carrosserie et l'herbe haute peut dissimuler des pierres et du verre. Vérifiez toujours minutieusement la zone de travail avant de commencer la coupe.

Attention aux projections de débris

- Dans certains cas, des débris peuvent être projetés à grande vitesse, à proximité de l'outil de coupe. Aucune autre personne ne doit se trouver à proximité de la zone de travail. Si la présence d'autres personnes à proximité de la zone de travail est nécessaire, l'utilisateur a la responsabilité de s'assurer que ces personnes soient munies d'équipements de protection appropriés.

Installation d'accessoires de coupe

- Assurez-vous que les accessoires de coupe sont correctement et solidement installés avant utilisation et que les clés ou tout autre outil de réglage ont été retirées.
- Utilisez uniquement des accessoires de coupe recommandés pour votre appareil.
- N'effectuez aucune modification sur l'accessoire.
- Assurez-vous que les lames sont aiguisées, en bon état et correctement installées.
- N'essayez pas d'affûter les lames n'étant pas prévue pour être affûtées, cela peut inclure les lames trempées, ou les lames en alliage trempé, contenant en général du tungstène
- Les lames pouvant être réaffûtées doivent être réaffûtées en suivant les instructions du fabricant de la lame. Cela peut inclure un nombre limité de sessions d'affûtage de la lame.
- Les lames aiguisées devraient être inspectées de plus près avant de les utiliser et remplacer immédiatement si vous avez un doute à propos de son état et sa compatibilité avec la tâche.
- Si la lame rentre en contact avec un objet caché avec lequel elle n'est pas compatible pendant l'utilisation, la lame devrait être remplacée immédiatement.

Sens d'avancée

- Faites avancer la pièce de travail vers la lame ou la fraise, et ce dans le sens inverse au sens de la lame ou de la fraise.

Attention à la chaleur

- Sachez que les outils de coupe ainsi que les pièces de travail peuvent chauffer pendant l'utilisation de l'appareil. Ne tentez pas de changer d'accessoire tant que l'appareil n'a pas complètement refroidi.

Contrôle de la poussière et des copeaux

- Ne laissez pas les poussières ou copeaux de métal s'accumuler. La sciure constitue un risque d'incendie et certains copeaux métalliques sont explosifs.
- Faites particulièrement attention lors de la coupe du bois ou du métal à l'aide de machines électriques. Les étincelles provoquées par la coupe du métal sont une cause courante d'incendie des poussières de bois.
- Lorsque cela est possible, utilisez un système d'extraction de la poussière pour assurer un environnement de travail plus sûr.

Consignes de sécurité relatives aux dégauchisseuses

⚠ AVERTISSEMENT : ne jamais utiliser cet appareil sans les dispositifs de sécurité ou si ceux-ci ne sont pas correctement ajustés.

⚠ AVERTISSEMENT : toutes parties tranchantes de l'appareil n'étant pas utilisées pour raboter doivent être couvertes.

⚠ AVERTISSEMENT : lors du rabotage de petites pièces, des mesures de sécurité additionnelles telles que l'usage de dispositifs de pression horizontale, doivent être utilisées pour garantir l'usage en toute sécurité de l'appareil.

⚠ AVERTISSEMENT : les outils et appareils de rabotage ne doivent pas être utilisés pour couper les feuillures, les tenons etc.

- **Utiliser une protection respiratoire adaptée :** l'utilisation de cet appareil peut générer de la poussière contenant des produits chimiques pouvant causer le cancer, des malformations congénitales et autres problèmes affectant la reproduction. Certains types de bois contiennent des agents de conservation tels que l'arséniate de cuivre et de chrome (ACC), celui-ci pouvant être toxique. Lors du ponçage, perçage ou la découpe de ces matériaux, prenez davantage de précaution afin d'éviter de respirer les poussières et de minimiser le contact avec la peau.
- **Utiliser uniquement des lames bien affûtées.** Portez des gants anti-coupures lorsque vous manipuler des lames affûtées.

⚠ AVERTISSEMENT : ne pas utiliser de lames émoussées puisque cela augmente les risques de rebond.

- **Veiller à ce qu'aucuns chiffons, vêtements, cordes, ficelle etc. ne soient présents sur la surface de travail.** Cela permet d'éviter les risques d'entraînement dans le mécanisme de l'appareil.
- **Laisser l'outil atteindre sa vitesse maximale avant de mettre les aiguilles en contact avec la surface de travail.**
- **TOUJOURS éteindre l'appareil et attendre que les lames parviennent à un arrêt complet avant d'effectuer un réglage, de nettoyer ou d'entretenir l'appareil.**
- **Lors du changement de lame, remplacez toujours toutes les lames.** Le non-respect de cette consigne peut entraîner une perte de balance et ainsi la vibration des lames, et réduire la durée de service de l'appareil.
- **Ne pas effectuer d'opérations de coupe n'étant pas recommandées par le fabricant de cet appareil.** L'usage non conforme de cet appareil est interdit.
- **Ne pas utiliser l'appareil si celui-ci n'est pas fixé à une surface de travail stable.** L'appareil pourrait se déplacer brusquement lors de l'opération et ainsi entraîner des blessures graves.

- **Toujours garder un bâton poussoir à proximité pendant les opérations de rabotage.** Utilisez le bâton poussoir pour pousser la pièce lorsque à proximité de la lame et lorsque l'épaisseur de la pièce de travail est inférieure à 75 mm.
- **Ne jamais Ne jamais travailler avec du bois excessivement déformé ou courbé, ou toute pièce ne pouvant être maintenue de manière stable sur la table d'entrée.**
- **Lors du transport de l'outil, veillez à utiliser les poignées de transport (non-opérationnelles) et à ce que tous les mécanismes de verrouillage et carters de protection soient positionnés correctement.**

Prévention de l'effet rebond

Remarque : le rebond se produit lorsque la lame se bloque rapidement, à la suite d'un pincement, d'un grippage ou d'un défaut d'alignement, ce qui renvoie la pièce à couper vers l'utilisateur. Il peut également attirer la main de l'utilisateur vers la lame, au risque de blessures graves.

⚠ AVERTISSEMENT : le rebond provient d'une mauvaise utilisation et/ou de procédures ou de conditions inadéquates de manipulation de l'appareil, qui peuvent être évitées en tenant compte des précautions suivantes.

- Ne JAMAIS tenter d'effectuer une coupe avec une lame émoussée ou gauchie.** Assurez-vous TOUJOURS que la lame soit compatible avec le matériau à couper.
- TOUJOURS s'assurer que le guide ou la table est parallèle à la lame.** Si le guide ou la table s'incline légèrement vers la lame, la pièce de travail pourrait rentrer en contact avec l'arrière de la lame.
- Soyez vigilant avec les grands panneaux de bois.** Assurez-vous que les grandes pièces de bois soient bien soutenues au niveau des plateaux d'entrée et de sortie de la table.
- NE PAS couper des rondins ou pièces qui ne peuvent pas être maintenues à plat sur la table.** Évitez de couper des pièces de bois tordues, déformées ou dotées de nœuds.
- NE PAS couper de bois humide, car cela entraîne une adhérence plus importante sur la lame.** La sciure humide peut s'accumuler sur la lame, ce qui augmente le risque de rebond.
- TOUJOURS maintenir fermement la pièce à couper, avec les deux mains, et placer les bras de manière à pouvoir résister à l'effet de rebond.**
- TOUJOURS se placer d'un côté ou de l'autre de la lame, et jamais dans son alignement.**
- NE PAS retirer la pièce pendant l'opération.** Si vous devez interrompre l'opération avant qu'elle ne soit finie, éteignez l'appareil et attendez que la lame soit complètement arrêtée avant de retirer la pièce.
- TOUJOURS utiliser un bâton poussoir ou un bloc poussoir afin de guider la pièce de travail sur la lame.** Si possible, utilisez un peigne pour maintenir la pièce contre la surface de la table.

Descriptif du produit

- Table de sortie
- Tambour à lame
- Table d'entrée
- Trous de montage du carter
- Carter de la courroie moteur
- Interrupteur marche/arrêt
- Bouton de réglage de la profondeur
- Trous pour montage sur établi
- Câble d'alimentation
- Support de rangement pour bâton poussoir
- Emplacement pour support de montage du guide
- Pieds en caoutchouc
- Tube d'extraction de la poussière
- Bâton poussoir
- Guide
- Support de montage du guide
- Plaque de verrouillage du guide
- Support coulissant du guide
- Carter du tambour à lame
- Poignée de verrouillage de l'angle du guide
- Poignée de verrouillage coulissante du guide
- Blocs poussoirs
- Clé hexagonale 6 mm
- Clé hexagonale 5 mm
- Clé 4 mm
- Poignées
- Bras du carter
- Clé (10 x 12 mm)
- Rondelle ressort 8 mm
- Rondelle plate 8 mm
- Entretoise 10 mm
- Rondelle ressort 6 mm
- Écrou M6 x 10 mm
- Vis hexagonale M8 x 30 mm
- Vis hexagonale M8 x 20 mm
- Boulon 13 x 20 mm
- Vis hexagonale M6 x 25 mm
- Boulon d'arrêt (externe)
- Boulon d'arrêt (interne)
- Bloc d'arrêt coulissant
- Plateau de protection coulissant
- Vis de la lame
- Pince de la lame
- Vis d'alignement de la lame
- Lame
- Vis hexagonales du moteur
- Vis hexagonales du dispositif d'extraction
- Courroie auxiliaire
- Courroie principale

Usage conforme

Dégauchisseuse électrique alimentée par secteur et conçue pour un montage sur établi. Fournie avec un guide ajustable permettant le rabotage des pièces jusqu'à 152 mm de largeur. Conçu uniquement pour les tâches de rabotage légères.

L'outil doit UNIQUEMENT être utilisé dans son but prescrit. Toute autre utilisation que celle indiquée dans le présent manuel sera considérée impropre. Tout dommage et toute lésion provenant d'une quelconque utilisation impropre de l'outil relèvera de la responsabilité de l'utilisateur et non du fabricant. Le fabricant ne peut être tenu responsable d'aucune modification apportée à l'outil ni d'aucun dommage résultant d'une telle modification.

Ce produit n'est pas indiqué pour un usage commercial.

Déballage

- Déballez le produit avec soin. Veillez à retirer tout le matériau d'emballage et familiarisez-vous avec toutes les caractéristiques du produit.
- Assurez-vous que toutes les pièces sont présentes et en bon état. Si des pièces sont endommagées ou manquantes, faites-les réparer ou remplacer avant d'utiliser l'appareil.

Avant utilisation

⚠ **AVERTISSEMENT** : assurez-vous que l'outil soit déconnecté de la source d'alimentation avant d'effectuer un réglage ou avant tout changement d'accessoire.

⚠ **AVERTISSEMENT** : portez TOUJOURS des gants de protection anti-coupures (non fournis) lorsque vous travaillez avec cet appareil.

Consignes de sécurité importantes relatives à l'usage de cet appareil

- Déconnectez l'appareil de toute source d'alimentation avant toute opération de réglage ou d'ajustement.
- Veillez à ce que l'interrupteur marche/arrêt (6) soit sur la position « OFF » (arrêt) avant de brancher l'appareil sur l'alimentation secteur.
- Restez toujours à l'écart des éléments en mouvement.
- Portez des protections oculaires et respiratoires lors de l'utilisation de cet appareil.
- Veillez à ce que toutes les parties mobiles de cet appareil puissent se déplacer librement.
- Veillez à utiliser des lames affûtées, alignées et montées correctement.
- Ne jamais mettre l'appareil en marche lorsque la pièce de travail est en contact avec les fers/lames.
- Lorsque l'appareil n'est pas utilisé, veillez à le déconnecter de la source d'alimentation.
- Veillez à maintenir l'appareil en bon état. Toujours suivre les consignes d'entretien fournies dans ce manuel (voir « Entretien »).
- N'utilisez jamais l'appareil afin d'effectuer des coupes partielles – Laissez l'appareil couper sur toute la longueur de la pièce.

- N'utilisez jamais l'appareil pour couper les tenons, les encoches etc.
- Veillez à prendre connaissance du sens de rotation de cet appareil (indiqué sur celui-ci).

Montage sur établi

- À l'aide des trous pour montage sur établi (8) prévus à cet effet, montez l'outil sur une surface de travail stable. Utilisez des boulons, écrous hexagonaux et rondelles de verrouillage (non fournis).

Installation du guide

Installation du support de montage du guide

1. Alignez le support de montage du guide (16) avec l'emplacement pour support de montage du guide (11) et maintenez celui-ci en place à l'aide de 2 x vis hexagonales M8 x 20 mm (35) et de la clé hexagonale 6 mm (23) (Fig. I).
2. Insérez la plaque de verrouillage du guide (17) dans le support de montage du guide. Positionnez celle-ci de manière à ce que les deux petites broches soient contre le bord inférieur du support de montage.
3. Verrouillez la plaque de verrouillage du guide en position à l'aide de la poignée de verrouillage coulissante du guide (21) et de l'entretoise 10 mm (31) (Fig. II).

Assemblage du guide et du support coulissant

1. Attachez le guide (15) au support coulissant du guide (18) à l'aide des vis hexagonales M6 x 25 mm (37), des rondelles ressort 6 mm (32) et de la clé hexagonale 5 mm (24) (Fig. III).
2. Glissez le guide et le support coulissant du guide sur les queues d'aronde du support de montage du guide (16) et la plaque de verrouillage du guide (Fig. IV).
3. Glissez la poignée de verrouillage de l'angle du guide (20) à travers l'entretoise 10 mm (31) puis à travers la monture du guide et vissez dans le sens horaire pour serrer l'assemblage (Fig. V).

Remarque : la poignée de verrouillage de l'angle du guide (20) ainsi que la poignée de verrouillage coulissante du guide (21) disposent d'un ajustement à ressort indépendant. Ainsi, les poignées peuvent tourner indépendamment de la barre. Il suffit de tirer sur les poignées, les pivoter et de les relâcher. Cette caractéristique peut être utile lorsque les poignées ne peuvent être pivotées à cause d'une partie de la monture venant interférer avec celles-ci.

Installation du carter du tambour à lame

1. Attachez le carter du tambour à lame (19) au bras du carter (27) à l'aide des deux écrous M6 x 10 mm (33) et des deux clés de 10 mm (1 x clé (10 x 12 mm) (28)) (Fig. VI).
2. Attachez la monture du carter à l'appareil par le biais des trous de montage du carter (4), à l'aide des deux boulons 13 x 20 mm (36), des deux rondelles ressort 8 mm (29) et une clé de 12 mm (28) (Fig. VII).

Installation des poignées de transport

1. Attachez les poignées (26) à l'aide des vis hexagonales M8 x 30 mm (34), des rondelles ressort 8 mm (29), des rondelles plates 8 mm (30) et de la clé hexagonale 6 mm (23) (Fig. VIII).

Extraction de la poussière

- Un système d'extraction de la poussière adapté est essentiel pour maintenir une zone de travail sûre ; les poussières fines produites lors des opérations de rabotage peut être dangereuse pour la santé. Il est donc important de toujours porter un masque anti-poussière lorsque vous utilisez cet appareil.
- Les systèmes d'extraction de la poussière peuvent être connectés à l'appareil à l'aide de la tubulure d'extraction de la poussière (13).

Calibration de la table

1. Positionnez un niveau à bulle (non fourni), sur la surface plate de la table de sortie (1) au-dessus du tambour à lame (2) (Image A).
2. Tournez le bouton de réglage de la profondeur (7) dans le sens horaire pour relever la table d'entrée (3) (diminue la profondeur), ou dans le sens antihoraire pour la rabaisser (augmente la profondeur), en veillant à aligner la table d'entrée avec la table de sortie pour une lecture de 0 mm.

Positionnement du guide

⚠ **AVERTISSEMENT** : TOUJOURS s'assurer que le plateau de protection coulissant (41) couvre le tambour à lame (2) à l'arrière du guide (15) lorsque le guide est plus élevé que le tambour pendant opération.

1. L'angle du guide (15) peut être ajusté pour accommoder une multitude de pièce de travail.
2. Le guide peut être ajusté sur une plage d'angles de 45° interne à 45° externe.
3. Il existe 3 positions de verrouillage : à 45° interne, 45° externe et à 90°.
4. Pour des mesures précises, utilisez une équerre afin de vérifier l'angle du guide.

Positionnement du guide à 90°

1. Positionnez le guide (15) sur l'appareil puis resserrez la poignée de verrouillage coulissante du guide (21).
2. Desserrez la poignée de verrouillage de l'angle du guide (20).
3. Glissez le bloc d'arrêt coulissant (40) en position, en relevant la molette de serrage et en glissant le bloc vers le guide (Fig. IX).
4. Positionnez le guide de manière à ce que le bloc d'arrêt soit en contact avec l'aimant à l'arrière du guide.
5. Glissez le plateau de protection coulissant (41) au-dessus de la partie exposée du tambour à lame (2), à l'arrière du guide.
6. Une fois en position, resserrez la poignée de verrouillage de l'angle du guide (20).

Positionnement du guide à 45° interne

1. Positionnez le guide (15) sur l'appareil puis resserrez la poignée de verrouillage coulissante du guide (21).
2. Desserrez la poignée de verrouillage de l'angle du guide (20).
3. Retirez le bloc d'arrêt coulissant (40) pour éviter les interférences avec le positionnement du guide.
4. Inclinez le haut du guide vers l'intérieur jusqu'à ce qu'il entre en contact avec le boulon d'arrêt interne (39) (Fig. X).

5. Glissez le plateau de protection coulissant (41) au-dessus de la partie exposée du tambour à lame (2), à l'arrière du guide.
6. Une fois en position, resserrez la poignée de verrouillage de l'angle du guide pour verrouiller le guide en place.

Positionnement du guide à 45° externe

1. Positionnez le guide sur l'appareil puis resserrez la poignée de verrouillage coulissante du guide (21).
2. Desserrez la poignée de verrouillage de l'angle du guide (20).
3. Retirez le bloc d'arrêt coulissant (40) pour éviter les interférences avec le positionnement du guide.
4. Inclinez le haut du guide vers l'extérieur jusqu'à ce qu'il entre en contact avec le boulon d'arrêt externe (38) (Fig. X).
5. Glissez le plateau de protection coulissant (41) au-dessus de la partie exposée du tambour à lame (2), à l'arrière du guide.
6. Une fois en position, resserrez la poignée de verrouillage de l'angle du guide pour verrouiller le guide en place.

Paramétrage de l'alignement de la lame

⚠ **AVERTISSEMENT** : ne jamais toucher la partie tranchante de la lame (45) puisque celle-ci est très affûtée.

Remarque : les lames ont été ajustées à la fabrication du produit et devraient ainsi être paramétrées correctement avant la première utilisation de l'appareil. Cependant, les lames peuvent se déplacer légèrement pendant le transport et la manipulation et il est ainsi recommandé de vérifier celles-ci avant usage, pour garantir un rabotage précis.

Inspection des lames

1. Positionnez une règle sur la table de sortie (1), surplombant le tambour à lame (2).
2. Retirez les vis du carter de la courroie moteur (5) à l'aide de la clé 4 mm (25) (Fig. XII).
3. Pivotez le tambour à lame à l'aide de la courroie principale (49) (Fig. XIII).
4. La lame (45) devrait juste toucher la règle lorsque le tambour tourne.
5. Si la lame ne rentre pas en contact avec la règle ou tire la règle vers l'avant, la lame doit alors être ajustée.
6. Vérifiez la hauteur de la lame des deux côtés pour vérifier que celle-ci est à niveau.

Alignement des lames

1. Tournez le tambour à lame (2) afin que les quatre vis de la lame (42) soient exposées.
2. Dévissez les quatre vis à l'aide de la clé 4 mm (25) (Fig. XIV).
3. Tournez le tambour à lame afin que les vis d'alignement de la lame (44) soient exposées (Fig. XV).
4. Avec une règle positionnée sur le dessus du tambour à lame (sur la table de sortie (1)), tournez la vis d'alignement de lame jusqu'à ce que la lame (45) rentre tout juste en contact avec la règle lorsque le tambour tourne (Fig. XVIII).
5. Répétez cette étape avec à la deuxième vis pour s'assurer que la lame est à niveau des deux côtés.
6. Une fois la lame alignée, resserrez les quatre vis de la lame et répétez les étapes d'alignement pour la deuxième lame.

Transport

- Lors du transport ou rangement de l'appareil, veillez à ce que le carter du tambour à lame (19) est positionné au-dessus de celle-ci et à ce que tous les éléments de verrouillage soient en place.
- Utilisez uniquement les poignées (26) de transport pour lever, déplacer ou transporter l'appareil.
- Si l'appareil est monté sur un établi ou autre surface de travail, veillez à retirer les fixations afin de pouvoir déplacer la dégauchisseuse.
- Si l'appareil est monté sur une surface mobile, veillez à ce que la surface puisse se déplacer librement avant de la retirer hors de l'établi ou autre surface de travail.
- Lors du déplacement ou rangement de l'appareil, veillez à garder celui-ci dans une position horizontale.

Instructions d'utilisation

⚠ AVERTISSEMENT : portez TOUJOURS des équipements de protection individuelle adaptés tels que des protections oculaires, auditives et respiratoires lorsque vous réglez et utilisez cet appareil.

⚠ AVERTISSEMENT : assurez-vous que l'outil soit déconnecté de la source d'alimentation avant d'effectuer un réglage ou de changer d'accessoire.

IMPORTANT : inspectez toujours l'appareil avant utilisation. Avant de brancher l'appareil sur l'alimentation secteur, vérifiez l'état des carters et que tous les dispositifs de sécurité de l'appareil sont opérationnels.

IMPORTANT : veillez à ce que l'utilisateur dispose d'une formation adéquate quant à l'usage, le réglage et l'entretien de cet appareil avant de brancher celui-ci sur l'alimentation secteur.

⚠ AVERTISSEMENT : vérifiez TOUJOURS que l'appareil est débranché de l'alimentation secteur avant d'effectuer un réglage ou de remplacer un élément de l'appareil. Veillez à respecter le sens de rotation de l'appareil lors de l'installation des lames.

Réglage de la profondeur de coupe

⚠ AVERTISSEMENT : vérifiez TOUJOURS que l'appareil est éteint et débranché de l'alimentation secteur avant d'ajuster la profondeur de coupe. Ne JAMAIS ajuster la profondeur de coupe lorsque l'appareil est en marche.

IMPORTANT : la plage de coupe de cet appareil est indiquée dans les caractéristiques techniques et doit impérativement être respectée.

1. Pour ajuster la profondeur de coupe, tournez le bouton de réglage de la profondeur (7) dans le sens antihoraire pour augmenter la profondeur de coupe, ou dans le sens horaire pour réduire la profondeur (Fig. XVI).
2. Chaque tour complet du bouton de réglage augmentera ou réduira la profondeur de coupe par palier de 0,75 mm.
3. Pour des mesures précises, il est essentiel d'effectuer des tests sur une chute de bois.

Mise en marche/arrêt

1. Veillez à ce que le câble d'alimentation (9) soit branché à l'alimentation secteur avant de mettre l'appareil en marche.
- L'interrupteur marche/arrêt (6) est situé à l'avant de l'appareil.
 - Pour mettre l'appareil en marche, appuyer sur l'interrupteur vert « I ».
 - Pour arrêter l'appareil, appuyez sur l'interrupteur « 0 ».

Utilisation de la dégauchisseuse

⚠ AVERTISSEMENT : lors de l'utilisation de cet appareil, l'utilisateur doit toujours se positionner du côté de la table d'entrée de l'appareil, et ne doit jamais s'approcher du tambour à lame (2) lorsque l'appareil est en marche.

⚠ AVERTISSEMENT : gardez vos mains et vos doigts à au moins 150 mm du tambour à lame. Lors de l'usinage d'une pièce près du tambour à lame, utilisez toujours le bâton poussoir (14) ou les blocs poussoirs (22).

⚠ AVERTISSEMENT : si le tambour à lame s'arrête pendant l'opération de coupe, peu importe la cause, arrêtez l'appareil immédiatement. Ne pas redémarrer l'appareil lorsque la coupe est déjà commencée et n'essayez d'effectuer des coupes partielles.

⚠ AVERTISSEMENT : rangez toujours le bâton poussoir dans le support de rangement pour bâton poussoir (10) afin que celui-ci soit facilement accessible lors de l'opération de coupe.

⚠ AVERTISSEMENT : cette dégauchisseuse est UNIQUEMENT conçue pour un usage sur fibre de bois naturelle et sèche. Ne jamais utiliser cet appareil avec des matériaux en métal, en plastique, laminés, en MDF ou tout autres matériaux synthétiques. Ne jamais travailler avec une pièce de travail ne pouvant être maintenue de manière stable sur la table d'entrée de l'appareil.

⚠ AVERTISSEMENT : TOUJOURS s'assurer que le plateau de protection coulissant (40) couvre le tambour à lame (2) à l'arrière du guide (15) lorsque le guide est plus élevé que le tambour pendant opération.

IMPORTANT : vérifiez toujours que le type de bois et l'état de la pièce de travail avant de commencer à travailler avec cet appareil. N'effectuez que des coupes superficielles sur les matériaux plus rigides ou dont la surface est plus grossière.

Utilisation du carter

⚠ AVERTISSEMENT : ne jamais utiliser cet appareil sans les carters et autres dispositifs de sécurité, ou si ceux-ci ne sont pas correctement ajustés.

Avant d'effectuer une coupe, utilisez les dispositifs de réglage du bras du carter (27) pour positionner le carter du tambour à lame (19) afin de couvrir toute partie du tambour à lame (2) qui reste exposée lorsque la pièce est en place - voir images A - D.

Dégauchissage de surface

Voir Image B.

- Le dégauchissage de surface permet d'obtenir une surface plane sur une pièce de travail et ainsi préparer la pièce pour un dégauchissage d'épaisseur.
1. Ajustez la hauteur de la table d'entrée (3) en fonction de la profondeur de coupe requise.

IMPORTANT : lors du dégauchissage de surface, il est recommandé d'effectuer uniquement des coupes superficielles afin d'éviter les risques de rebond.

2. Paramétrez le guide (15) à 90° (voir « Positionnement du guide »).
3. Démarrer l'appareil.
4. Positionnez la pièce de travail fermement contre la table d'entrée (3) et le guide.
5. Positionnez le carter du tambour à lame (19) – voir « Utilisation du carter ».
6. Poussez la pièce de travail complètement à travers la lame tout en maintenant une pression adaptée contre la surface et le guide.
7. Répétez ces étapes, jusqu'à obtenir la finition requise.

Dégauchissage de côté

Voir Image C.

- Le dégauchissage de côté permet d'obtenir une surface plane sur les côtés d'une pièce de travail. Ce type de dégauchissage est essentiel lorsque vous devez joindre deux pièces ou lorsque la finition de la pièce est primordiale.

1. Ajustez la hauteur de la table d'entrée (3) en fonction de la profondeur de coupe requise.

IMPORTANT : lors du dégauchissage de côté, il est recommandé d'effectuer uniquement des coupes superficielles afin d'éviter les risques de rebond.

2. Paramétrez le guide (15) à 90° (voir « Positionnement du guide »).
3. Démarrer l'appareil.
4. Positionnez la pièce de travail fermement contre la table d'entrée (3) et le guide.
5. Positionnez le carter du tambour à lame (19) – voir « Utilisation du carter ».
6. Poussez la pièce de travail complètement à travers la lame tout en maintenant une pression adaptée contre la surface et le guide.
7. Répétez ces étapes si nécessaire, jusqu'à obtenir la finition requise.

Dégauchissage biseauté

Voir Image D.

- Le dégauchissage biseauté permet d'obtenir une pièce de travail avec une surface biseautée. Ceci peut être effectué en ajustant l'angle du guide (15). Cette méthode nécessite généralement plusieurs passages afin d'obtenir la finition requise.

1. Ajustez la hauteur de la table d'entrée (3) en fonction de la profondeur de coupe requise.

IMPORTANT : lors du dégauchissage biseauté, il est recommandé d'effectuer uniquement des coupes superficielles afin d'éviter les risques de rebond.

2. Paramétrez le guide sur l'angle requis (voir « Positionnement du guide »).
3. Positionnez la pièce de travail fermement contre la table d'entrée et le guide, avec le côté à couper vers le bas.

4. Démarrer l'appareil.
5. Positionnez le carter du tambour à lame (19) – voir « Utilisation du carter ».
6. Poussez la pièce de travail complètement à travers la lame à l'aide du bloc pousoir (22), tout en maintenant une pression adaptée contre la surface et le guide à l'aide du second bloc pousoir.
7. Répétez ces étapes si nécessaire, jusqu'à obtenir la finition requise.

Accessoires

- Une gamme complète d'accessoires et de consommables, y compris des masques à poussières, des adaptateurs pour tubulure d'extraction et des gants anti-coupures, est disponible auprès de votre revendeur Triton.
- Vous pouvez également commander des pièces de rechange sur www.toolsparsonline.com.

Entretien

⚠ AVERTISSEMENT : assurez-vous que l'outil soit déconnecté de la source d'alimentation avant d'effectuer un réglage ou avant tout changement d'accessoire.

⚠ AVERTISSEMENT : portez TOUJOURS des gants de protection anti-coupures (non fournis) lors de la manipulation du tambour à lame (2) et de ses éléments.

- Cet outil est fabriqué à partir de composants de première qualité et équipé des dernières avancées en ingénierie intelligente afin de protéger l'outil et ses composants. Une utilisation normale procure une bonne durabilité de l'appareil.
- Certains éléments de cet appareil peuvent être remplacés par l'utilisateur, y compris :
 - I. Lames
 - II. Courroie principale
 - III. Courroie auxiliaire

Remarque : les instructions relatives à l'entretien de ces éléments sont fournies dans cette section du manuel d'instructions.

Inspection générale

- Vérifiez régulièrement que toutes les vis soient bien serrées. Elles peuvent devenir lâches avec le temps.
- Vérifiez régulièrement le bon état du câble d'alimentation et avant chaque utilisation. En cas d'usure ou d'endommagement nécessitant une réparation, celle-ci ne doit être réalisée que par le fabricant ou qu'auprès d'un centre de réparation agréé Triton. Ce conseil s'applique également pour les rallonges utilisées avec cet appareil.
- Si vous n'êtes pas sûr quant aux étapes de la procédure d'entretien de cet appareil, N'ESSAYEZ PAS d'effectuer l'entretien. L'entretien peut alors être effectué auprès d'un centre de réparation agréé Triton.

Nettoyage

⚠ **AVERTISSEMENT** : assurez-vous que l'outil soit éteint et déconnecté de la source d'alimentation avant d'effectuer le nettoyage de l'appareil ou d'éliminer les blocages. Portez toujours des gants anti-coupures lors des étapes de nettoyage ou de déblocage de cet appareil car celui-ci est doté d'éléments et de surfaces coupantes.

- Gardez l'appareil propre. La poussière et la saleté provoquent l'usure rapide des éléments internes de l'appareil et peuvent réduire la durée de vie de l'appareil. Utilisez une brosse souple ou un chiffon sec pour le nettoyage. Nettoyez le boîtier de la machine avec un chiffon doux et humide. Si possible, nettoyez les orifices de ventilation à l'air comprimé propre et sec (si applicable).
- Après utilisation, utilisez un aspirateur pour éliminer les copeaux, la poussière et les débris.
- Retirez également les copeaux, la poussière et les débris présents sur la courroie, les engrenages et les parties mobiles de l'appareil.
- Nettoyez le boîtier de la machine avec un chiffon doux et humide. N'utilisez pas d'alcool, essence ou d'agents d'entretien puissants.
- N'utilisez jamais d'agents caustiques sur les parties plastiques

Remplacement de la lame

⚠ **AVERTISSEMENT** : portez TOUJOURS des gants anti-coupures lorsque vous manipulez les lames (45).

IMPORTANT : N'utilisez que des lames spécialement conçues pour cet appareil.

1. Retirez le carter de la courroie (5) à l'aide de la clé 4 mm (25) (Fig. XII).
2. Tournez le tambour à lame afin que les 4 vis de la lame (42) soient exposées.
3. Retirez les 4 vis de la lame (Fig. XIV).
4. Retirez la pince de la lame (43) avec précaution, ainsi que la lame.
5. Remplacez la lame et alignez celle-ci à l'aide des vis d'alignement de la lame (44) (Fig. XVII).
6. Insérez les vis de la lame et réalignez la lame (voir « Alignement de la lame »).
7. Répétez ces étapes si vous souhaitez remplacer une autre lame.

Remplacement de la courroie

Remplacement de la courroie auxiliaire

1. Positionnez l'appareil sur son côté, afin de pouvoir accéder au-dessous de l'appareil.
2. Dévissez puis retirez le cache de l'appareil.
3. Dévissez mais ne retirez pas les deux vis hexagonales du dispositif d'extraction (47) de manière à ce que le dispositif d'extraction puisse se déplacer de gauche à droite.
4. Remplacez la courroie auxiliaire (48).
5. Mettez la courroie sous tension puis revissez les vis hexagonales.
6. Remplacez le cache de l'appareil.

Remplacement de la courroie principale

1. Positionnez la dégauchisseuse sur son côté, afin de pouvoir accéder au-dessous de l'appareil.
2. Dévissez puis retirez le cache de l'appareil.
3. Retirez la courroie auxiliaire (48) (voir « Remplacement de la courroie auxiliaire »).
4. Dévissez mais ne retirez pas les quatre vis hexagonales du moteur (46) de manière à ce que le moteur puisse se déplacer de gauche à droite.
5. Retirez la courroie principale (49).
6. Remplacez la courroie principale.
7. Mettez la courroie sous tension puis revissez les vis hexagonales.
8. Remplacez la courroie auxiliaire puis le cache de l'appareil.

Lubrification

- Lubrifiez régulièrement les parties mobiles avec un vaporisateur de lubrifiant adéquat.
- Les roulements du moteur et de l'unité de coupe sont scellés en usine et ne devraient donc pas nécessiter de lubrification.
- Les éléments nécessitant lubrification sont les suivants :
 - o Partie fileté de bouton de réglage de la profondeur
 - o Support coulissant du guide
 - o Poignée de verrouillage de l'angle du guide
 - o Poignée de verrouillage coulissant du guide
 - o Mécanismes de réglage du carter
- Éliminez les résidus de graisse présents sur les éléments de l'appareil, à l'aide d'essence minérale si nécessaire, puis appliquez une couche de graisse multi-usage (non fournie).
- La surface peut être revêtue d'une couche très fine de cire à lubrifier (non fournie) afin de protéger celle-ci de la rouille et de faciliter la glisse de la pièce de travail.

Remplacement des balais de charbon

- Avec le temps, les balais de charbon du moteur s'usent. Ce processus d'usure est accéléré si la machine est surchargée ou utilisée dans des environnements poussiéreux.
- Si les balais sont excessivement usés, le rendement du moteur peut diminuer, la machine peut ne pas démarrer ou une quantité anormale d'étincelles peut être observée.
- Si vous soupçonnez une usure des balais, faites-les remplacer dans un centre d'entretien agréé.

Rangement

- Ranger cet outil dans un endroit sûr, sec et hors portée des enfants.

Contact

Pour tout conseil technique ou réparation, veuillez nous contacter au (+44) 1935 382 222.

Site web : www.tritontools.com

Adresse (GB) :

Toolstream Ltd.
Boundary Way
Lufton Trading Estate
Yeovil, Somerset
BA22 8HZ, Royaume-Uni

Adresse (UE) :

Toolstream B.V.
Hogeweg 39
5301 LJ Zaltbommel
Pays-Bas

Recyclage

Lorsque l'appareil n'est plus en état de fonctionner et qu'il n'est pas réparable, recyclez celui-ci conformément aux réglementations nationales.

- Ne jetez pas les outils électriques, batteries et autres déchets d'équipements électriques ou électroniques (DEEE) avec les ordures ménagères.
- Contactez les autorités locales compétentes en matière de gestion des déchets pour vous informer de la procédure à suivre pour recycler les outils électriques.

En cas de problème

Problème	Cause possible	Solution
L'appareil ne fonctionne pas après avoir actionné l'interrupteur marche/arrêt (6)	Absence d'alimentation	Vérifiez la source d'alimentation électrique.
	Interrupteur marche/arrêt défectueux	Faites remplacer l'interrupteur marche/arrêt auprès d'un centre de réparation agréé Triton.
Le moteur ne démarre pas	Balais à charbon usés	Les balais doivent être remplacés.
La finition de la surface est irrégulière	La profondeur de coupe sélectionnée est trop élevée	Réduisez la profondeur de coupe et effectuez plusieurs passages.
	Lame (45) émoussée	Tournez ou remplacez la lame (voir « Remplacement des lames »).
	Le bois est humide	Arrêtez immédiatement l'appareil. Évaluez puis corrigez le positionnement de la lame (voir « Positionnement de la lame »).
Le tambour ne tourne pas	La courroie principale (49) est cassée ou défectueuse	Référez-vous à la section « Remplacement de la courroie principale » afin de remplacer la courroie.
Présence de vibrations et d'un bruit anormal	Arrêtez IMMÉDIATEMENT d'utiliser l'appareil	Vérifiez que les parties accessibles à l'utilisateur sont positionnées de manière correcte et sûre.
		Contactez un centre de réparation agréé Triton.

Garantie

Pour valider votre garantie, rendez-vous sur notre site internet tritontools.com* et saisissez vos coordonnées.

Pense-bête

Date d'achat : ____ / ____ / ____

Modèle: TSPL152

Veillez conserver votre ticket de caisse comme preuve d'achat.

Si toute pièce de ce produit s'avérait défectueuse du fait d'un défaut de fabrication ou de matériau dans les 3 ANS à compter de la date d'achat, Triton Precision Power Tools s'engage auprès de l'acheteur de ce produit à réparer ou, à sa discrétion, à remplacer gratuitement la pièce défectueuse.

Cette garantie ne s'applique pas lors d'un usage commercial et ne couvre pas l'usure normal du produit ou les dommages liés à un accident, un usage abusif ou un usage non-conforme de l'appareil.

* Enregistrez votre produit en ligne dans les 30 jours suivant la date d'achat.

Offre soumise à conditions.

Ceci n'affecte pas vos droits statutaires.

Übersetzung der Originalbetriebsanleitung

Einführung

Vielen Dank, dass Sie sich für dieses Triton-Werkzeug entschieden haben. Die vorliegende Anleitung enthält wichtige Informationen für das sichere und effektive Arbeiten mit diesem Produkt. Selbst wenn Sie bereits mit ähnlichen Produkten vertraut sind, lesen Sie diese Anleitung bitte sorgfältig durch, um den größtmöglichen Nutzen aus diesem Werkzeug ziehen zu können. Stellen Sie sicher, dass alle nutzenden Personen diese Bedienungsanleitung vollständig gelesen und verstanden haben. Bewahren Sie diese Gebrauchsanweisung sorgfältig zum späteren Nachschlagen auf.

Symbolerklärung

Auf dem Typenschild des Werkzeugs sind möglicherweise Symbole abgebildet. Sie vermitteln wichtige Informationen über das Produkt oder dienen als Gebrauchsanweisung.



Gehörschutz tragen
Augenschutz tragen
Atemschutz tragen
Kopfschutz tragen



Schutzhandschuhe tragen



Bedienungsanleitung sorgfältig lesen



NIEMALS in nassen/feuchten Umgebungen verwenden!



WARNUNG!

Trennen Sie das Gerät stets von der Stromversorgung, bevor Sie Wartungs- oder Reinigungsarbeiten durchführen.



WARNUNG!

Risiko von Quetsch- und Schnittverletzungen durch bewegliche Teile!



Messer erst berühren, wenn das Gerät vom Stromnetz getrennt ist und die Messer zum völligen Stillstand gekommen sind.



WARNUNG! GEFAHR DURCH SCHWERE LASTEN.

Nicht allein anheben! Nur mit mehreren Personen anheben und verschieben.

WARNUNG! Dieser Artikel ist schwer und muss von mind. zwei Personen montiert werden.



Schutzklasse 1 (Schutzleiter)

Umweltschutz

Elektrowerkzeuge dürfen nicht über den Haushaltsmüll entsorgt werden. Nach Möglichkeit bitte über entsprechende Einrichtungen entsorgen. Lassen Sie sich bezüglich der sachgemäßen Entsorgung von Elektrowerkzeugen von der zuständigen Behörde oder dem Handel beraten.



Erfüllt die einschlägigen Rechtsvorschriften und Sicherheitsnormen



Achtung, Gefahr!



Vorsicht vor Rückschlag.



Nur für den Innenbereich!




Staubabsaugung erforderlich bzw. empfohlen

Verzeichnis der technischen Symbole und Abkürzungen

V	Volt
~	Wechselstrom
A, mA	Ampere, Milliampere
n ₀	Leerlaufdrehzahl
Nm	Newtonmeter (Drehmoment)
psi	Pfund pro Quadratzoll
°	Grad
Hz	Hertz
W, kW	Watt, Kilowatt
min ⁻¹	Umdrehungen pro Minute
dB(A)	Schallpegel in Dezibel (A-bewertet)

Technische Daten

Modell:	TSPL152
Spannung:	220-240 V~ 50/60 Hz
Leistung:	1100 W
Stecker-Sicherung (Nur für GB-Stecker):	13 A
Leerlaufdrehzahl:	8.000 min ⁻¹
Spanabnahme:	0 - 3,2 mm
Hobelbreite:	0 - 152,4 mm
Tischgröße:	771 x 250 mm
Winkelanschlagsbereich:	45 - 135°
Absaugstutzenmaße:	Innen: 50 mm Außen: 60 mm
Schutzklasse:	
Schutzart:	IP20
Netzkabellänge:	2 m
Abmessungen (L x H x B):	965 x 315 x 505 mm
Gewicht:	25,4 kg
Aufgrund der fortlaufenden Weiterentwicklung unserer Produkte können sich die technischen Daten von Triton-Produkten ohne vorherige Ankündigung ändern.	
Geräusch- und Vibrationsinformationen:	
Schalldruckpegel L_{PA}:	94,3 dB(A)
Schallleistungspegel L_{WA}:	107,3 dB(A)
Unsicherheit K:	3 dB(A)

Der Schallintensitätspegel kann für die bedienende Person 85 dB(A) übersteigen und Lärmschutzmaßnahmen sind notwendig.

⚠️ WARNUNG! Tragen Sie in Bereichen, in denen der Lärmpegel 85 dB(A) überschreitet, unbedingt angemessenen Gehörschutz und begrenzen Sie nach Möglichkeit die Belastungsdauer. Sollte trotz Gehörschutz Unbehagen irgendeiner Art auftreten, beenden Sie die Arbeit unverzüglich und überprüfen Sie den Gehörschutz auf korrekten Sitz und Funktion und stellen Sie sicher, dass dieser einen angemessenen Schutz für den Lärmpegel bietet, der von den verwendeten Werkzeugen ausgeht.

⚠️ WARNUNG! Bei der Benutzung mancher Werkzeuge wird die bedienende Person Vibrationen ausgesetzt, welche zum Verlust des Tastsinns, zu Taubheitsgefühl, Krabbeln und zu einer Verminderung der Handgreifkraft führen können. Langfristige Belastung kann zu chronischen Beschwerden führen. Begrenzen Sie, falls nötig, die Exposition zu Vibrationen und tragen Sie vibrationsmindernde Handschuhe. Verwenden Sie dieses Werkzeug nicht mit kalten Händen, da Vibrationen bei Temperaturen unter dem individuellen Komfortbereich eine stärkere Wirkung zeigen. Beurteilen Sie die Vibrationsbelastung unter Zuhilfenahme der Technischen Daten des jeweiligen Werkzeuges und bestimmen Sie die zulässige Belastungsdauer und -häufigkeit.

⚠️ WARNUNG! Die Schwingungsbelastung während der Arbeit mit dem Elektrowerkzeug kann je nach Einsatzart des Werkzeuges vom angegebenen SchwingungsGesamtwert abweichen. Um angemessene Sicherheitsmaßnahmen zum Schutz der bedienenden Person ergreifen zu können, sollten für eine genaue Abschätzung der Schwingungsbelastung auch die Zeiten berücksichtigt werden, in denen das Gerät abgeschaltet ist oder zwar läuft, aber nicht tatsächlich im Einsatz ist.

Der in dieser Anweisung angegebene SchwingungsGesamtwert wurde mittels eines standardisierten Prüfverfahrens gemessen und kann zum Vergleich verschiedener Werkzeuge genutzt werden. Er eignet sich auch für eine vorläufige Einschätzung der Schwingungsbelastung.

Die in den Technischen Daten angegebenen Geräusch- und Vibrationsinformationen werden nach internationalen Standards bestimmt. Die angegebenen Werte entsprechen einer normalen Benutzung des Werkzeugs unter normalen Arbeitsbedingungen. Schlecht gewartete, inkorrekt montierte und unsachgemäß verwendete Werkzeuge können erhöhte Schallpegel und Vibrationswerte aufweisen. Weitere Informationen zur EU-Vibrationsrichtlinie und zu Schall- sowie Vibrationsbelastungen, die auch für Heimanwendende relevant sein können, finden Sie auf den Seiten der Europäischen Agentur für Sicherheit und Gesundheitsschutz am Arbeitsplatz: www.osha.europa.eu

Allgemeine Sicherheitshinweise für Elektrowerkzeuge

⚠️ WARNUNG! Beim Gebrauch von Elektrowerkzeugen sind zum Schutz gegen elektrischen Schlag, Verletzungs- und Brandgefahr folgende grundsätzliche Sicherheitsmaßnahmen zu beachten. Lesen Sie alle diese Anweisungen bevor Sie das Gerät betreiben und bewahren Sie diese Anweisungen auf.

⚠️ WARNUNG! Dieses Gerät darf nicht von Personen (wie z.B. Kindern) mit eingeschränkten körperlichen oder geistigen Fähigkeiten oder von Personen ohne Erfahrung im Umgang mit einem solchen Gerät betrieben werden, außer wenn sie von einer für ihre persönliche Sicherheit verantwortlichen Person in der Benutzung unterwiesen worden sind und dabei beaufsichtigt werden. Kinder müssen beaufsichtigt werden, um sicherzustellen, dass sie das Gerät nicht als Spielzeug verwenden.

VORSICHT! Verwenden Sie Elektrowerkzeug, Zubehör, Einsatzwerkzeuge usw. entsprechend diesen Anweisungen. Berücksichtigen Sie dabei die Arbeitsbedingungen und die auszuführende Tätigkeit. Der Gebrauch von Elektrowerkzeugen für andere als die vorgesehenen Anwendungen kann zu gefährlichen Situationen führen.

Der in den Sicherheitshinweisen verwendete Begriff „Elektrowerkzeug“ bezieht sich auf netzbetriebene Elektrowerkzeuge (mit Netzkabel) und auf akkubetriebene Elektrowerkzeuge (ohne Netzkabel).

1 Halten Sie den Arbeitsbereich sauber und aufgeräumt.

Unordnung auf Werkbänken und Böden begünstigt Verletzungen.

2 Beachten Sie die Arbeitsplatzbedingungen:

- Verwenden Sie Werkzeuge niemals im Regen.
- Verwenden Sie Werkzeuge niemals in feuchten oder nassen Bereichen.
- Sorgen Sie für angemessene Beleuchtung von Arbeitsbereichen.
- Verwenden Sie Werkzeuge niemals in der Nähe von brennbaren Flüssigkeiten.

3 Schützen Sie sich vor elektrischen Schlägen. Vermeiden Sie Kontakt mit geerdeten Objekten und Oberflächen wie z.B. Rohrleitungen, Heizkörpern, Haushaltsgeräten usw.

4 Halten Sie andere Personen vom Arbeitsplatz fern.

Achten Sie darauf, dass Personen, die nicht direkt am Arbeitsvorgang beteiligt sind, insbesondere Kinder, von Werkzeugen und Werkstücken fernbleiben, Werkzeuge und deren Anschlussleitungen nicht berühren und sich nicht im Arbeitsbereich aufhalten.

5 Entfernen Sie nicht benötigte Werkzeuge aus dem Arbeitsbereich. Nicht verwendete Werkzeuge sollten an einem sicheren, trockenen Ort außerhalb der Reichweite von Kindern gelagert und eingeschlossen werden.

6 Wenden Sie bei der Benutzung von Werkzeugen keine Gewalt an. Werkzeuge erzeugen die besten und effektivsten Ergebnisse, wenn sie mit der Geschwindigkeit und dem Vorschub verwendet werden, für welche sie konzipiert wurden.

7 Verwenden Sie für die auszuführende Aufgabe geeignete Werkzeuge. Kleine, leichte Werkzeuge verfügen nicht über die gleiche Leistung wie schwere Profi-Werkzeuge. Verwenden Sie Werkzeuge niemals zweckentfremdet; z.B. dürfen Kreissägen nicht zum Sägen von Baumstämmen oder Ästen verwendet werden.

8 Tragen Sie geeignete Arbeitskleidung:

- Tragen Sie weder lose Kleidung noch Schmuck, da sich diese in den beweglichen Komponenten von Maschinen verfangen könnten.
- Bei Arbeiten im Freien sind rutschfeste Schuhe empfehlenswert. Decken Sie lange Haare ab.

9 Verwenden Sie geeignete persönliche Schutzausrüstung:

- Tragen Sie stets eine geeignete Schutzbrille.
- Tragen Sie bei stauberzeugenden Arbeiten stets eine Atemmaske.

⚠️ WARNUNG! Falls keine persönliche Schutzausrüstung getragen wird, können schwerwiegende Verletzungen und Erkrankungen auftreten.

10 Verwenden Sie Staubabsaugungsausrüstung. Verwenden Sie Geräte mit Staubabsauganschluss stets mit einer geeigneten Absaugvorrichtung.

11 Verwenden Sie die Anschlussleitung nicht missbräuchlich. Ziehen Sie niemals am Kabel, um dieses aus der Steckdose zu entfernen. Halten Sie Anschlussleitungen fern von Hitze, Schmiermitteln und scharfen Kanten. Beschädigte und abgenutzte Leitungen erhöhen das Risiko von elektrischen Schlägen.

12 Fixieren Sie Ihre Werkstücke. Verwenden Sie stets Schraubzwingen, Schraubstöcke und andere Klemmvorrichtungen, um Werkstücke sicher zu fixieren. Dies ist sicherer als das Halten von Hand.

13 Nicht zu weit hinauslehnen. Bleiben Sie standfest und halten Sie stets Ihr Gleichgewicht.

14 Führen Sie Instandhaltungsarbeiten sorgfältig durch:

- Halten Sie Schneidwerkzeuge scharf. Werkzeuge mit scharfen Schneiden sind besser zu kontrollieren und verkanten sich weniger leicht.
- Befolgen Sie die Anweisung zur Schmierung und zum Austausch von Zubehörteilen.
- Überprüfen Sie Anschlussleitungen in regelmäßigen Abständen und lassen Sie diese bei Beschädigung oder Abnutzung von einem autorisierten Servicetechniker austauschen. Verlängerungskabel regelmäßig prüfen und bei Beschädigung austauschen lassen.
- Halten Sie die Griffe trocken, sauber und frei von Öl und Fett.

⚠️ WARNUNG! Viele Unfälle haben ihre Ursache in schlecht gewarteten Elektrowerkzeugen.

15 Trennen Sie Geräte nach dem Gebrauch vom Stromnetz. Trennen Sie Elektrowerkzeuge stets von der Spannungsversorgung, bevor Sie Wartungsarbeiten durchführen und Zubehör abnehmen oder anbringen.

⚠️ WARNUNG! Die Verwendung von Zubehör, das nicht vom Hersteller des Elektrowerkzeugs empfohlen wird, kann zu schwerwiegenden Sach- und Personenschäden führen.

16 Entfernen Sie stets alle Werkzeuge vom Gerät.

Machen Sie es sich zur Gewohnheit, vor dem Einschalten von Elektrowerkzeugen zu überprüfen, dass alle beim Zubehörwechsel oder zur Justierung verwendeten Werkzeuge (z.B. Innensechskant-, Maul- und Stiftschlüssel) entfernt wurden.

17 Vermeiden Sie unbeabsichtigtes Einschalten. Vergewissern Sie sich, dass sich der Betriebsschalter von Elektrowerkzeugen im ausgeschalteten Zustand befindet, bevor Sie das Werkzeug mit dem Stromnetz verbinden bzw. Akkus einsetzen.

⚠️ WARNUNG! Ein unbeabsichtigtes Einschalten von Elektrowerkzeugen kann zu schwerwiegenden Sach- und Personenschäden führen.

18 Verwenden Sie geeignete Verlängerungsleitungen.

Falls das Elektrowerkzeug in Außenbereichen verwendet wird, muss eine speziell für Außenbereiche geeignete Verlängerungsleitung verwendet werden. Die Anwendung eines für den Außenbereich geeigneten Verlängerungskabels verringert das Risiko eines elektrischen Schlags.

19 Seien Sie aufmerksam:

- Achten Sie darauf, was Sie tun, wenden Sie gutes Urteilsvermögen an und verwenden Sie Werkzeuge niemals, wenn Sie müde sind.
- Verwenden Sie Elektrowerkzeuge niemals, wenn Sie unter dem Einfluss von Drogen, Alkohol oder Medikamenten stehen.

⚠️ WARNUNG! Ein Moment der Unachtsamkeit kann zu schweren Verletzungen führen.

20 Überprüfen Sie den Zustand von Werkzeugen vor der Benutzung :

- Das Werkzeug muss vor jeder Verwendung auf Beschädigungen überprüft werden. Vergewissern Sie sich, dass sich das Gerät in einem Zustand befindet, indem es seine normale Funktion sicher erfüllen kann.
- Begutachten Sie bewegliche Teile auf feste Verbindung, korrekte Ausrichtung, Schäden, korrekte Montage und andere Fehlerzustände, die ihre Funktion beeinträchtigen könnten.
- Beschädigte Schutzvorrichtungen und andere fehlerhafte Komponenten müssen von einem autorisierten Servicetechniker repariert oder ausgetauscht werden, außer wenn in dieser Bedienungsanleitung abweichend beschrieben.
- Defekte Schalter müssen von einem autorisierten Servicetechniker ausgetauscht werden.

⚠️ WARNUNG! Verwenden Sie das Gerät nicht, falls es sich nicht über den Ein-/Ausschalter einschalten und auch ausschalten lässt. Der Schalter muss zur sicheren Verwendung ausgetauscht werden.

21 Lassen Sie das Werkzeug ausschließlich von qualifizierten Technikern warten und reparieren. Dieses Elektrowerkzeug entspricht den relevanten Sicherheitsvorschriften. Reparaturen dürfen ausschließlich von autorisierten Servicetechnikern durchgeführt werden, da unsachgemäße Reparaturen eine ernstzunehmende Gefahr darstellen können.

⚠️ WARNUNG! Verwenden Sie zur Instandhaltung ausschließlich identische Originalersatzteile.

⚠️ WARNUNG! Eine beschädigte Anschlussleitung muss durch den Hersteller oder eine autorisierte Fachwerkstatt ausgetauscht werden.

22 Der Netzstecker des Gerätes darf ausschließlich an einer geeigneten Steckdose verwendet werden. Der Netzstecker des Gerätes darf niemals modifiziert werden. Verwenden Sie keine Adapter mit geerdeten Elektrowerkzeugen. Unveränderte Stecker und passende Steckdosen verringern das Risiko eines elektrischen Schlages.

23 Bei der Verwendung in Außenbereichen muss das Gerät an einem Stromkreis betrieben werden, der von einem Fehlerstromschutzschalter abgesichert ist. Die Verwendung von FI-Schaltern vermindert die Gefahr elektrischer Schläge.

HINWEIS: Fehlerstromschutzschalter werden auch als FI-Schalter, FI-Schutzschalter oder RCDs bezeichnet.

24 In Australien und Neuseeland darf dieses Gerät nur unter Verwendung einer Fehlerstromschutzeinrichtung (FI-Schalter) mit einem Bemessungsfehlerstrom von höchstens 30 mA an die Spannungsversorgung angeschlossen werden.

25 Verwenden Sie ein geeignetes Verlängerungskabel und vergewissern Sie sich, dass es in gutem Zustand ist. Achten Sie bei Nutzung eines Verlängerungskabels darauf, dass es stark genug für den Strom ist, den Ihr Gerät verbraucht. Ein unterdimensioniertes Kabel verursacht einen Spannungsabfall, der zu Leistungsverlusten und Überhitzung führt.

26 Lassen Sie das Gerät niemals unbeaufsichtigt laufen.

Schalten Sie das Gerät aus. Verlassen Sie das Gerät erst, wenn es vollständig zum Stillstand gekommen ist.

Auch wenn dieses Gerät wie vorgeschrieben verwendet wird, ist es nicht möglich, sämtliche Restrisiken auszuschließen. Gerät stets mit Vorsicht verwenden. Sollten Sie sich bezüglich der sachgemäßen und sicheren Verwendung dieses Gerätes nicht vollkommen sicher sein, verwenden Sie es nicht.

⚠️ WARNUNG! Stellen Sie vor Anschluss eines Werkzeugs an eine Stromquelle (Steckdose, Stromanschluss u.ä.) sicher, dass die Netzspannung der auf dem Typenschild des Werkzeugs angegebenen Spannung entspricht. Eine Stromquelle mit einer höheren Spannung als der für das Werkzeug spezifizierten Spannung kann zu schweren Verletzungen des Bedieners sowie Beschädigung des Werkzeugs führen. Im Zweifelsfalle verbinden Sie das Werkzeug nicht mit der Stromversorgung. Eine niedrigere Spannung als auf dem Typenschild angegeben schadet dem Motor.

Zusätzliche Sicherheitshinweise für Schneidwerkzeuge

⚠️ WARNUNG! Stellen Sie vor Anschluss eines Werkzeugs an eine Stromquelle (Steckdose, Stromanschluss u.ä.) sicher, dass die Netzspannung der auf dem Typenschild des Werkzeugs angegebenen Spannung entspricht. Eine Stromquelle mit einer höheren Spannung als der für das Werkzeug spezifizierten Spannung, kann zu schweren Verletzungen des Bedieners sowie Beschädigung des Werkzeugs führen. Im Zweifelsfalle verbinden Sie das Werkzeug nicht mit der Stromversorgung. Eine niedrigere Spannung als auf dem Typenschild angegeben schadet dem Motor.

Korrektes Schneidwerkzeug verwenden

- Vergewissern Sie sich, dass sich das Schneidwerkzeug für die auszuführende Aufgabe eignet. Ziehen Sie vor Gebrauch immer die Produktliteratur heran und gehen Sie nicht ohne Überprüfung davon aus, dass das Werkzeug für die Anwendung geeignet ist.

Augen schützen

- Tragen Sie bei Verwendung von Schneidwerkzeugen immer angemessenen Augenschutz.
- Gewöhnliche Brillen sind als Augenschutz bei Verwendung dieses Werkzeugs nicht ausreichend. Normale Brillengläser sind nicht schlagfest und könnten zersplittern.

Gehör schützen

- Bei Werkzeugeschallpegeln über 85 dB immer geeigneten Gehörschutz tragen.

Atemwege schützen

- Sorgen Sie dafür, dass Sie selbst und Umstehende geeignete Staubschutzmasken tragen.

Hände schützen

- Halten Sie die Hände von Schneidwerkzeugen fern. Verwenden Sie für kürzere Werkstücke einen entsprechend geeigneten Schiebestock, wenn dies mit der Art des Elektrowerkzeugs vereinbar ist.

Auf Umstehende achten

- Es liegt in der Verantwortung des Bedieners, dass andere Personen im Arbeitsbereich keinen gefährlichen Schallpegeln oder Staub ausgesetzt werden. Sorgen Sie dafür, dass diesen Personen geeignete Schutzrüstung zur Verfügung steht.

Nicht sichtbare Gegenstände

- Untersuchen Sie das Werkstück vor Arbeitsbeginn gründlich auf Nägel und andere Fremdkörper und entfernen Sie diese.
- Bearbeiten Sie keine Werkstücke, die Fremdkörper enthalten, es sei denn, Sie sind sicher, dass sich der Schneideinsatz am Gerät für die Aufgabe eignet.
- In Wänden können sich verdeckte Drähte und Leitungen befinden, in Karosserieteilen können versteckte Kraftstoffleitungen verlaufen und in hohem Gras können Steine oder Glas vorhanden sein. Überprüfen Sie vor Arbeitsbeginn immer zunächst gründlich den Arbeitsbereich.

Auf geschleuderten Verschnitt achten

- In einigen Situationen können Verschnittstücke mit hoher Geschwindigkeit vom Schneidwerkzeug weggeschleudert werden. Es liegt in der Verantwortung des Bedieners, für den Schutz anderer, im Arbeitsbereich befindlicher Personen vor katapultiertem Ausschussmaterial zu sorgen.

Einsetzen von Zubehör

- Vergewissern Sie sich vor Gebrauch, dass das Schneidzubehör ordnungsgemäß und fest eingesetzt wurde.
- Verwenden Sie nur für das Gerät empfohlenes Zubehör.
- Versuchen Sie nicht, das Gerät oder sein Zubehör zu modifizieren.
- Stellen Sie sicher, dass die Hobelmesser scharf, in einwandfreiem Betriebszustand und ordnungsgemäß montiert sind.
- Niemals Hobelmesser schärfen, die sich nicht ausdrücklich zum Nachschärfen eignen. Dazu zählen z.B. speziell gehärtete Messer sowie Messer aus gehärteten, meist wolframhaltigen Legierungen.
- Zum Nachschärfen geeignete Hobelmesser dürfen nur gemäß den Anweisungen des Messerherstellers geschärft werden. Die Anzahl der Nachschärfungen ist möglicherweise begrenzt.
- Nachgeschärfte Hobelmesser müssen vor Gebrauch gründlich geprüft und sofort ausgetauscht werden, wenn Zweifel an ihrem Zustand und ihrer Eignung für die Verwendung bestehen.
- Falls die Hobelmesser während der Anwendung auf einen verborgenen Gegenstand treffen, zu dessen Bearbeitung sie nicht geeignet sind, müssen die Messer umgehend ersetzt werden.

Vorschubrichtung

- Führen Sie das Werkstück dem Sägeblatt oder Schneideinsatz nur gegen die Bewegungsrichtung von Sägeblatt oder Schneideinsatz zu.

Vorsicht vor Hitzebildung

- Beachten Sie, dass Schneidwerkzeuge und Werkstücke während des Gebrauchs heiß werden können. Versuchen Sie nicht, Werkzeuge auszutauschen, bevor sie völlig abgekühlt sind.

Abfallstoffe kontrollieren

- Achten Sie darauf, dass sich keine Späne oder Staub ansammeln. Sägemehl stellt eine Brandgefahr dar und einige Metallspäne sind explosionsgefährlich.
- Lassen Sie bei Geräten zum Sägen von Holz und Metall besondere Vorsicht walten. Funken infolge von Metallsägen sind eine häufige Ursache für Holzstaubfeuer.
- Verwenden Sie nach Möglichkeit ein Staubabsaugsystem, um eine sicherere Arbeitsumgebung zu gewährleisten.

Zusätzliche Sicherheitshinweise für Abbrichtobelmaschinen

⚠️ WARNUNG! Verwenden Sie das Werkzeug niemals ohne oder korrekt eingestellte Schutzvorrichtungen.

⚠️ WARNUNG! Jeder Teil des Schneidblocks, der nicht zum Hobeln verwendet wird, muss mit einer Schutzvorrichtung versehen werden.

⚠️ WARNUNG! Beim Hobeln schmaler Werkstücke können zusätzliche Maßnahmen erforderlich sein, z. B. die Verwendung horizontaler Druckvorrichtungen, um ein sicheres Arbeiten zu gewährleisten.

⚠️ WARNUNG! Hobelwerkzeuge sollten nicht für Innenschnitte, Aussparungen, Zapfen, Formschnitte und die Bearbeitung von stark gebogenem Holz verwendet werden.

• Angemessenen Atemschutz verwenden: Bei der Arbeit mit diesem Gerät kann Staub entstehen, der als krebserregend und geburts- bzw. fortpflanzungsschädigend eingestufte Chemikalien enthält. Das zu bearbeitende Holz kann mit dem Giftstoff Kupfer-Chrom-Arsen (CCA) behandelt worden sein. Beim Abschleifen, Bohren und Schneiden derartiger Materialien das Einatmen von Staub sowie Hautkontakt unbedingt vermeiden.

• Verwenden Sie nur scharfe Messer. Lassen Sie bei der Handhabung der Hobelmesser äußerste Vorsicht walten und tragen Sie stets Schnittschutzhandschuhe.

⚠️ WARNUNG! Verwenden Sie diese Maschine nicht mit unscharfen Hobelmessern, da somit eine erhöhte Gefahr eines Rückschlages besteht.

• Stellen Sie sicher, dass sämtliche Lappen, Tücher, Schnüre usw. aus dem Arbeitsbereich entfernt worden sind, um zu verhindern, dass sich diese im Hobelmechanismus verfangen.

• Warten Sie, bis die Maschine ihre volle Betriebsgeschwindigkeit erreicht hat, bevor sie mit dem Werkstück in Kontakt kommt und mit Hobeln begonnen wird.

• Schalten Sie das Gerät stets aus und lassen Sie es zum vollständigen Stillstand kommen, bevor Sie Einstellungsänderungen oder Wartungs- und Reinigungsarbeiten vornehmen.

• Wechseln Sie alle Messer gleichzeitig aus, da das Austauschen einzelner Messer zu Unwucht und ungleichmäßigem Lauf führt, was die Standzeit von Messern und Hobel verkürzt.

- **Führen Sie nur Hobelanwendungen aus, die ausdrücklich vom Hersteller empfohlen werden.** Innenschnitte, Aussparungen, Zapfen, Formschnitte und die Bearbeitung von stark gebogenem Holz sind mit dieser Maschine nicht zulässig.
- **Verwenden Sie den Abrichthobel nur, wenn dieser an einer stabilen Arbeitsfläche montiert ist.** Bei nicht ordnungsgemäßer Befestigung kann sich die Maschine während des Betriebs plötzlich verschieben und schwere Verletzungen des Bedieners verursachen.
- **Halten Sie den Schiebestock während der Hobelanwendung in der Nähe des Zufuhrtisches.** Verwenden Sie einen Schiebestock zum zuführen kleinerer Werkstücke, wenn sich dieses nahe den Messern befindet sowie für Werkstücke unter 75 mm Stärke.
- **Verwenden Sie das Gerät nicht zum Abrichten von verformtem Holz, oder wenn nicht genügend Kontakt zwischen Werkstück und Eingabetisch vorhanden ist.**
- **Vergewissern Sie sich beim Transportieren der Hobelmaschine, dass die Transportgriffe verwendet werden (kein Bedienungsgriff) und dass alle Verriegelungsmechanismen und Schutzvorrichtungen fest sitzen.**

Maßnahmen zur Verhinderung von Rückschlag

Hinweis: Rückschlag bezeichnet eine plötzliche Reaktion auf ein verklemmtes, verhaktes oder fehlausgerichtetes Messer und führt dazu, dass das Werkstück in Richtung des Bedieners zurückgeschleudert wird. Es kann auch die Hand des Bedieners in die Klinge ziehen, was zu schweren Verletzungen führen kann.

⚠️ WARNUNG! Rückschlag ist die Folge eines falschen oder fehlerhaften Gebrauchs des Hobels. Dies kann durch geeignete Vorsichtsmaßnahmen, wie nachfolgend beschrieben, verhindert werden.

- a) **Hobeln Sie NIEMALS mit unscharfen Hobelmessern.**
Vergewissern Sie sich STETS, dass die verwendeten Hobelmesser für die Anwendung geeignet sind.
- b) **Stellen Sie sicher, dass sich der Anschlag STETS parallel zum Hobelmesser befindet.** Wenn der Anschlag / Tisch nach innen zur Klinge neigt, kann das Werkstück mit der Hinterkante des Messers in Berührung kommen.
- c) **Lassen Sie beim Hobeln größerer Werkstücke äußerste VORSICHT walten.** Stellen Sie sicher, dass größere Werkstücke durch einen geeigneten Eingabe- und Abgabetisch ordnungsgemäß abgestützt werden.
- d) **Bearbeiten Sie NIEMALS Rundmaterial oder Werkstücke, die nicht flach auf dem Tisch liegen können.** Hobeln Sie kein verdrehtes, verzogenes oder stark mit Astlöchern versehenes Holz.
- e) **Hobeln Sie NIEMALS nasses Holz, da dies zu einer höheren Reibung gegen die Klinge führt.** Nasser Holzspan kann sich in den Hobelmessern anhäufen und das Risiko eines Rückschlages erhöhen.
- f) **Halten Sie das Werkstück mit beiden Händen gut fest und positionieren Sie die Arme so, dass Sie den Rückschlagkräften widerstehen können.**

- g) **Bringen Sie Ihren Körper niemals auf eine Linie mit den Hobelmessern, sondern stellen Sie sich immer seitlich in Position.**
- h) **Ziehen Sie das Werkstück während des Arbeitsvorgangs NICHT aus dem laufenden Hobel.** Wenn Sie den Arbeitsvorgang aus irgendwelchen Gründen unterbrechen müssen, lassen Sie den Auslöser los und warten bis der Hobel zum völligen Stillstand gekommen ist, bevor Sie das Werkstück entnehmen.
- i) **Verwenden Sie STETS Schiebestöcke, um das Werkstück durch den Hobel zu führen und setzen Sie nach Möglichkeit Druckkämme ein, um Werkstücke niederzuhalten.**

Geräteübersicht

1. Abgabetisch
2. Messerwelle
3. Zufuhrtisch
4. Schutzhaubenmontagelöcher
5. Antriebsriemenabdeckung
6. Ein-/Ausschalter
7. Spanabnahmeeinsteller
8. Werkbank-Montagebohrungen
9. Netzkabel
10. Schiebestockaufbewahrung
11. Montagevorrichtung für Anschlagwinkelhalterung
12. Gummifüße der Maschine
13. Staubaugsaugstutzen
14. Schiebestock
15. Abrichtanschlag
16. Anschlagwinkelhalterung
17. Sicherungsplatte des Abrichtanschlags
18. Anschlagsschiebebügel
19. Messerwellenabdeckung
20. Sicherungshebel für Winkelanschlag
21. Sicherungshebel für Parallelanschlag
22. Schiebeblöcke
23. Innensechskantschlüssel, 6 mm
24. Innensechskantschlüssel, 5 mm
25. Innensechskantschlüssel, 4 mm
26. Haltegriffe
27. Messerwellenabdeckungsschiene
28. Sechskant-Schraubenschlüssel (10 x 12 mm)
29. Federring, 8 mm
30. Unterlegscheibe, 8 mm
31. Abstandshalter, 10 mm
32. Federring, 6 mm
33. Mutter, M6 x 10 mm
34. Sechskantschraube, M8 x 30 mm
35. Sechskantschraube, M8 x 20 mm

- 36. Bolzen, 13 x 20 mm
- 37. Sechskantschraube, M6 x 25 mm
- 38. Äußerer Anschlagbolzen
- 39. Innerer Anschlagbolzen
- 40. Schieblockanschlag
- 41. Abschirmblech
- 42. Messerschraube
- 43. Messerhalterung
- 44. Messerausrichtungsschraube
- 45. Messerwelle
- 46. Sechskantschrauben für Motorgehäuse
- 47. Sechskantschrauben für Staubabsaugvorrichtung
- 48. Zusatzriemen
- 49. Antriebsriemen

Bestimmungsgemäße Verwendung

Netzbetriebene Abrichtobelmaschine zur Werkbankmontage mit verstellbarem Anschlag zum Abrichten von Holz bis 152-mm-Breite. Nur für leichte Hobelanwendungen geeignet.

Das Gerät darf nur für seinen bestimmungsgemäßen Zweck verwendet werden. Die bedienende Person, nicht der Hersteller, ist für jegliche Schäden oder Verletzungen aufgrund missbräuchlicher Verwendung haftbar. Der Hersteller haftet weder für Änderungen am Werkzeug noch für Schäden, die durch solche Änderungen entstehen.

Nicht für den gewerblichen Einsatz geeignet.

Auspacken des Gerätes

- Packen Sie Ihr Werkzeug vorsichtig aus und überprüfen Sie es. Machen Sie sich vollständig mit allen seinen Eigenschaften und Funktionen vertraut.
- Vergewissern Sie sich, dass sämtliche Teile des Werkzeugs vorhanden und in einwandfreiem Zustand sind. Sollten Teile fehlen oder beschädigt sein, lassen Sie diese ersetzen, bevor Sie das Werkzeug verwenden.

Vor Inbetriebnahme

⚠ **WARNUNG!** Trennen Sie das Gerät stets vom Stromnetz, bevor Sie Zubehörwechsel oder Einstellungsänderungen vornehmen.

⚠ **WARNUNG!** Tragen Sie bei der Handhabung dieses Werkzeugs IMMER geeignete schnittfeste Handschuhe (nicht mitgeliefert).

Wichtige Hinweise für die sichere Nutzung dieses Werkzeugs

- Trennen Sie das Gerät stets vom Stromnetz, bevor Sie Zubehörwechsel oder Einstellungsänderungen vornehmen.
- Sorgen Sie dafür, dass sich der Ein-/Ausschalter (6) vor dem Anschluss an eine Stromquelle in der Aus-Stellung befindet.

- Halten Sie die Hände von allen beweglichen Teilen fern.
- Tragen Sie Augenschutz, sowie eine Staubmaske, wenn Sie mit diesem Gerät arbeiten.
- Stellen Sie sicher, dass sich alle beweglichen Teile einwandfrei bewegen können.
- Halten Sie die Klängen scharf, ausgerichtet und ordnungsgemäß am Schneidkopf befestigt.
- Schalten Sie niemals den Hobel ein, wenn das Werkstück Kontakt mit dem Hobelmesser hat.
- Schalten Sie den Abrichtobel aus und trennen Sie ihn von der Stromversorgung, wenn das Gerät nicht in Betrieb ist.
- Bewahren Sie den Abrichtobel/Dickenhobel in gutem Zustand auf. Folgen Sie den Wartungsanweisungen (siehe dazu „Wartung und Pflege“).
- Nehmen Sie keine unvollständigen Hobeldurchgänge vor, sondern bearbeiten Sie die gesamte Länge des Werkstücks.
- Verwenden Sie den Hobel nicht zum Fräsen von Einkerbungen, Zapfen oder Formen.
- Beachten Sie die auf dem Werkzeug angegebene Drehrichtung des Hobels.

Werkbankmontage

- Befestigen Sie den Abrichtobel mit Hilfe der Montagelöcher (8) auf einer stabilen ebenen Arbeitsfläche mit Schrauben, Sechskantmutter und Sicherungsscheiben (nicht im Lieferumfang enthalten).

Anschlag anbringen

Installation der Anschlagwinkelhalterung

1. Richten Sie die Anschlagwinkelhalterung (16) mit den Montagelöchern der Anschlagwinkelhalterung (11) aus und befestigen Sie die Halterung mit den mitgelieferten M8 x 20 mm-Sechskantschrauben (35) mithilfe des 6-mm-Innensechskantschlüssels (23) (siehe Abb. I).
2. Führen Sie die Sicherungsplatte des Abrichtanschlags (17) in die Anschlagwinkelhalterung. Richten Sie die beiden Stifte gegen die Unterkante der Anschlagwinkelhalterung.
3. Befestigen Sie die Anschlagplatte mit dem Sicherungshebel für den Parallelanschlag (21) und dem 10-mm-Abstandshalter (31) (Abb. II).

Zusammenbau des Anschlags und des Anschlagsschiebebügels

1. Befestigen Sie den Abrichtanschlag (15) mit den M6 x 25 mm-Sechskantschrauben (37) und den 6-mm-Federscheiben (32) am Anschlagsschiebebügel (18) mithilfe des 5-mm-Innensechskantschlüssels (24) (Abb. III).
2. Schieben Sie den Anschlag und den Schiebebügel auf die Schwalbenschwanz-Zapfen der Anschlagwinkelhalterung (16) und der Anschlagssicherungsplatte (Abb. IV).
3. Schieben Sie den Sicherungshebel des Winkelanschlags (20) durch den 10-mm-Abstandshalter (31) in die Anschlagsvorrichtung und schrauben Sie ihn im Uhrzeigersinn fest (Abb. V).

Hinweis: Sowohl der Sicherungsgriff für den Winkelanschlag (20) als auch der Sicherungsgriff für den Parallelanschlag (21) verfügen über eine unabhängige Federeinstellung, sodass die Griffe unabhängig von der Stange gedreht werden können. Dies erfolgt durch Ziehen an den Griffen, Drehen und Freigeben. Diese Funktion ist nützlich, wenn die Griffe durch Geräteteile behindert werden und sich ansonsten nicht drehen lassen.

Befestigung der Messerwellenabdeckung

1. Befestigen Sie die Messerwellenabdeckung (19) mit den zwei M6 x 10 mm-Muttern (33) an der Messerwellenabdeckungsschiene (27) mithilfe des 10-mm-Ende des Sechskant-Schraubenschlüssels (28). (Abb. VI).
2. Befestigen Sie die Schutzvorrichtung am Abrichtobel, indem Sie die zwei 13 x 20 mm Bolzen (36), 2 x 8 mm Federscheiben (29) durch die Schutzhaubenmontagelöcher (4) mithilfe des 12-mm-Ende des Sechskant-Schraubenschlüssels (28) festziehen (Abb. VII).

Montage der Tragegriffe

1. Befestigen Sie die Haltegriffe (26) mit den M8 x 30-mm-Sechskantschrauben (34), 8-mm-Federscheiben (29), 8-mm-Unterlegscheiben (30) mit dem 6-mm-Innensechskantschlüssel (23) (Abb. VIII).

Spanabsaugung

- Eine angemessene Spanabsaugung ist unabdingbar, um ein sicheres Arbeitsumfeld zu gewährleisten. Die beim Hobeln erzeugten feinen Fasern können gesundheitsschädlich sein. Tragen Sie daher beim Betrieb dieser Maschine stets eine Staubschutzmaske.
- Ein externes Staubabsaugsystem kann über den Staubabsaugstutzen (13) angeschlossen werden.

Tischkalibrierung

1. Legen Sie eine Wasserwaage (nicht im Lieferumfang enthalten) o.ä. flach auf den Abnahmetisch (1) über die Messerwelle (2) (siehe Abb. A).
2. Drehen Sie den Spanabnahmeinsteller (7) im Uhrzeigersinn, um den Zufahrtisch (3) anzuheben (d.h. geringere Spanabnahme einstellen) und entgegen den Uhrzeigersinn, um den Tisch abzusenken (d.h. erhöhte Spanabnahme einstellen). Richten Sie auf diese Weise den Zufahrtisch mit dem Abnahmetisch auf 0 mm aus.

Anschlag anbringen

⚠️ WARNUNG! Stellen Sie sicher, dass das Abschirmblech (41) die Messerwelle (2) hinter dem Abrichtanschlag (15) abdeckt, wenn der Anschlag während des Betriebs über der Messerwelle vorsteht.

1. Der Abrichtanschlag (15) kann verschiedenen Werkstücksformen angepasst werden.
2. Er lässt sich auf innere und äußere 45°-Winkel einstellen.
3. Das Gerät bietet insgesamt drei Winkelpositionen, somit stehen 45°-Winkelanschlätze nach innen und nach außen und ein 90°-Winkelanschlag zur Verfügung.
4. Verwenden Sie für präzise Messungen ein Winkelmaß, um den gewünschten Winkel des Anschlags zu überprüfen.

Anschlag auf 90°-Winkel einstellen

1. Positionieren Sie die Anschlagsvorrichtung (15) auf dem Abrichtobel und ziehen Sie den Sicherungsgriff (21) des Parallelanschlags fest.
2. Lösen Sie den Sicherungshebel des Winkelanschlags (20).
3. Führen Sie den Schiebepblockanschlag (40) in Position, indem Sie den Sperrknopf anheben und den Block in Richtung Anschlag schieben (Abb. IX).
4. Positionieren Sie den Anschlag so, dass der Schiebepblock den Magneten auf der Rückseite des Anschlags berührt.
5. Schieben Sie das Abschirmblech (41) über die Messerwelle (2) an der Rückseite des Anschlags.
6. Befestigen Sie das Blech, indem Sie den Sicherungsgriff des Winkelanschlags anziehen.

Anschlag auf inneren 45°-Winkel einstellen

1. Positionieren Sie die Anschlagsvorrichtung (15) auf dem Abrichtobel und ziehen Sie den Sicherungsgriff (21) des Parallelanschlags fest.
2. Lösen Sie den Sicherungshebel des Winkelanschlags (20).
3. Entfernen Sie den Schiebepblockanschlag (40), um eine Behinderung des Abrichtanschlags zu verhindern.
4. Kippen Sie die Oberseite des Anschlags nach innen, bis er mit den nach innen gerichteten Anschlagbolzen (39) in Kontakt kommt (Abb. X).
5. Schieben Sie das Abschirmblech (41) über die Messerwelle (2) an der Rückseite des Anschlags.
6. Ziehen Sie den Sicherungsgriff des Winkelanschlags an, um den Anschlag zu arretieren.

Anschlag auf äußeren 45°-Winkel einstellen

1. Positionieren Sie die Anschlagsvorrichtung (15) auf dem Abrichtobel und ziehen Sie den Sicherungsgriff (21) des Parallelanschlags fest.
2. Lösen Sie den Sicherungshebel des Winkelanschlags (20).
3. Entfernen Sie den Schiebepblockanschlag (40), um eine Behinderung des Abrichtanschlags zu verhindern.
4. Kippen Sie die Oberseite des Anschlags nach außen, bis er mit den nach außen gerichteten Anschlagbolzen (38) in Kontakt kommt (Abb. X).
5. Schieben Sie das Abschirmblech (41) über die Messerwelle (2) an der Rückseite des Anschlags.
6. Ziehen Sie den Sicherungsgriff des Winkelanschlags an, um den Anschlag zu arretieren.

Ausrichten der Hobelmesser

⚠️ WARNUNG! Berühren Sie nie die Schneidkante des Hobelmessers (45), da diese rasiermesserscharf ist.

Hinweis: Die Hobelmesser wurden im Werk eingestellt und sollten vor der ersten Verwendung nicht weiter justiert werden. Allerdings kann es vorkommen, dass sich die Messer, infolge von Transport und der damit verbundenen Handhabung, verstellt haben. Überprüfen Sie stets die genaue Einstellung der Hobelmesser vor jedem Gebrauch.

Überprüfung der Hobelmesser

1. Positionieren Sie ein Kantenlineal am Abgabetisch (1), der über der Messerwelle hinausragt.
2. Entfernen Sie die Riemenabdeckungsschrauben und die Antriebsriemenabdeckung (5) mit dem 4-mm-Innensechskantschlüssel (25) (Abb. XII).
3. Rotieren Sie die Messerwelle mit dem freiliegenden Antriebsriemen (49) (Abb. XIII).
4. Die Messer (45) sollten bei Drehung der Messerwelle, das Kantenlineal gerade berühren.
5. Wenn die Messer nicht mit dem Kantenlineal in Kontakt kommen oder es nach vorne ziehen, müssen die Messer erneut eingestellt werden.
6. Überprüfen Sie die Messerhöhe an beiden Enden, um festzustellen, dass sie waagrecht ausgerichtet ist.

Ausrichten der Hobelmesser

1. Rotieren Sie die Messerwelle (2), so dass die vier Messerschrauben (42) freiliegen.
2. Lösen Sie die vier Messerschrauben mit dem 4-mm-Schraubenschlüssel (25) (Abb. XIV).
3. Rotieren Sie die Messerwelle, so dass die beiden Messerausrichtungsschrauben (44) frei liegen (Abb. XV).
4. Positionieren Sie ein Kantenlineal über der Messerwelle auf dem Abgabetisch (1), drehen Sie die Messerausrichtungsschraube, bis die Messer das Kantenlineal gerade so eben berühren, wenn die Messerwelle rotiert wird (Abb. XVIII).
5. Wiederholen Sie dies mit der zweiten Ausrichtungsschraube, um sicherzustellen, dass das Messer waagrecht liegt.
6. Sobald das Messer ausgerichtet ist, ziehen Sie die vier Ausrichtungsschrauben wieder an und wiederholen den Vorgang am zweiten Messer.

Transport

- Vergewissern Sie sich beim Transportieren oder Lagern des Abrichthobels, dass die Messerwellenabdeckung (19) die Messerwelle vollständig abdeckt und dass alle Neigungs- und Sicherungshebel fest sitzen.
- Verwenden Sie nur die Haltegriffe (26), um die Maschine anzuheben und zu transportieren.
- Wenn der Abrichthobel an einer Werkbank oder ähnlichem montiert ist, stellen Sie sicher, dass die Befestigungsmittel entfernt werden und der Hobel sich frei bewegen kann.
- Wenn der Abrichthobel auf einer tragbaren Platte montiert ist, stellen Sie sicher, dass die Platte nicht an der Werkbank oder ähnlichem befestigt ist, sodass sich der Hobel frei bewegen kann.
- Halten Sie den Abrichthobel beim Transportieren stets aufrecht.

Bedienung

⚠️ WARNUNG! Tragen Sie STETS eine Schutzbrille, angemessenen Atem- und Gehörschutz sowie geeignete Schutzhandschuhe, wenn Sie mit diesem Gerät arbeiten.

⚠️ WARNUNG! Trennen Sie das Gerät stets vom Stromnetz, bevor Sie Zubehörwechsel oder Einstellungsänderungen vornehmen.

WICHTIG: Überprüfen Sie den Abrichthobel vor jedem Gebrauch. Stellen Sie sicher, dass die Schutzvorrichtungen ordnungsgemäß installiert sind und alle Sicherheitsfunktionen des Werkzeugs einwandfrei funktionieren, bevor Sie den Abrichthobel an das Stromnetz anschließen.

WICHTIG: Achten Sie darauf, dass alle Bediener dieses Geräts hinsichtlich der Verwendung, Anpassung und Wartung der Maschine angemessen geschult sind, bevor sie das Gerät mit der Stromversorgung verbinden und den Hobel in Betrieb nehmen.

⚠️ WARNUNG! Trennen Sie das Gerät stets vom Stromnetz, bevor Sie Zubehörwechsel oder Einstellungsänderungen vornehmen. Beachten Sie die Drehrichtung des Messers und vergewissern Sie sich, dass sie mit der Drehrichtung des Werkzeugs übereinstimmt.

Einstellung der Spanabnahme

⚠️ WARNUNG! Schalten Sie das Gerät stets ab und trennen Sie es vom Stromnetz, bevor Sie die Spanabnahme ändern. Nehmen Sie Einstelländerungen der Spanabnahme niemals bei laufender Maschine vor!

WICHTIG: Der Spanabnahmebereich dieses Hobels ist in den Technischen Daten angegeben und sollte unbedingt eingehalten werden.

1. Drehen Sie den Spanabnahmeinsteller (7) entgegen den Uhrzeigersinn, um die Spanabnahme zu erhöhen und im Uhrzeigersinn, um diese zu verringern (Abb. XVI).
2. Jede volle Umdrehung des Spanabnahmeinstellers erhöht oder verringert die Schnitttiefe um 0,75 mm.
3. Führen Sie zur genauen Messung einen Probeschnitt an einem Stück Ausschussmaterial durch.

Ein-/Ausschalten

1. Vergewissern Sie sich, dass das Netzkabel (9) mit der Stromversorgung angeschlossen ist, bevor Sie das Gerät einschalten.
- Der Ein-/Ausschalter (6) befindet sich auf der Vorderseite des Abrichthobels.
- Zum Einschalten des Hobels, drücken Sie den grünen „I“ -Schalter.
- Zum Ausschalten des Hobels, drücken Sie den roten „O“ -Schalter.

Bedienung des Abrichthobels

⚠️ WARNUNG! Achten Sie darauf, dass Sie sich bei der Bedienung dieses Werkzeugs, immer am Ende des Zufuhrtsch (3) positionieren und zu keinem Zeitpunkt über die Messerwelle (2) greifen, während der Abrichthobel in Betrieb ist.

⚠ **WARNUNG!** Halten Sie Hände und Finger mindestens 150 mm von der Messerwelle (2) fern. Verwenden Sie stets einen Schiebstock und Niederhalter, um Werkstücke nahe der Messerwelle zu führen.

⚠ **WARNUNG!** Falls die Messerwelle während der Anwendung den Betrieb plötzlich einstellt, schalten Sie die Maschine sofort aus. Lassen Sie sie nicht innerhalb eines bereits begonnenen Schnittes wieder anlaufen und nehmen Sie keine unvollständigen Hobeldurchgänge vor.

⚠ **WARNUNG!** Bewahren Sie den Schiebstock (14) in der Schiebstock-Aufbewahrung (10) auf, damit er während der Arbeit immer parat ist.

⚠ **WARNUNG!** Der Abrichthobel ist nur für die Verarbeitung von trockenen Holzfasern ausgerichtet. Bearbeiten Sie keine Metalle, Kunststoffe, Lamine, Spanplatten, MDF oder andere synthetische Werkstoffe mit diesem Werkzeug. Verwenden Sie das Gerät nicht zum Abrichten von verformtem Holz, oder wenn nicht genügend Kontakt zwischen Werkstück und Zufuhrtisch vorhanden ist.

⚠ **WARNUNG!** Stellen Sie sicher, dass das Abschirmblech (41) die Messerwelle (2) hinter dem Anschlag (15) immer abdeckt, wenn der Anschlag während des Betriebs über der Messerwelle hervorsteht.

WICHTIG: Berücksichtigen Sie immer die Holzart und den Zustand des Werkstücks, bevor Sie mit dieser Maschine arbeiten. Führen Sie bei härteren Materialien oder bei rauheren Oberflächen nur flachere Hobeldurchgänge durch.

Messerwellenabdeckung verwenden

⚠ **WARNUNG!** Verwenden Sie das Werkzeug niemals ohne die entsprechende Schutzvorrichtung oder deren korrekte Einstellung.

Bevor Sie einen Schnitt ausführen, positionieren Sie die Messerwellenabdeckung (19) mit den Einstellvorrichtungen am Schutzarm (27) so, dass sie alle Teile der Messerwelle (2) abdeckt, die bei eingesetztem Werkstück freiliegen – siehe Abbildungen A - D.

Oberflächenglättung

Siehe Abbildung B.

• Die Oberflächenglättung verleiht dem Werkstück eine gleichmäßige ebene Oberfläche und bereitet es auf die Verarbeitung mit dem Dickenhobel vor.

1. Stellen Sie den Zufuhrtisch (3) auf die gewünschte Spanabnahme ein.

WICHTIG: Nehmen Sie beim Hobeln der Oberfläche nur Spanabnahmen mit geringer Tiefe vor, um einen Rückschlag zu vermeiden.

2. Stellen Sie den Anschlag (15) auf den 90°-Winkel (siehe Anschlag anbringen) ein.

3. Schalten Sie den Abrichthobel ein.

4. Halten Sie das Werkstück fest gegen den Zufuhrtisch (3) und den Anschlag.

5. Richten Sie die Abdeckung (19) aus – siehe Messerwellenabdeckung verwenden.

6. Führen Sie das Werkstück vollständig über den Hobel. Halten Sie einen festen Druck gegen Anschlag und Tisch während des gesamten Durchgangs aufrecht.

7. Wiederholen Sie den Durchgang, falls erforderlich, bis Sie die gewünschte Oberflächengüte erreicht haben.

Kantenbearbeitung

Siehe Abbildung C.

• Die Kantenbearbeitung des Werkstücks erzeugt eine flache, rechtwinklige Oberfläche entlang der Werkstückkante. Dies ist unbedingt erforderlich, wenn Sie Werkstücke für die Endbearbeitung und für die Tischlerei vorbereiten.

1. Stellen Sie die Höhe des Zufuhrtisches (3) auf die gewünschte Spanabnahme ein.

WICHTIG: Nehmen Sie beim Hobeln der Oberfläche nur Spanabnahmen mit geringer Tiefe vor, um einen Rückschlag zu vermeiden.

2. Stellen Sie den Anschlag (15) auf den 90°-Winkel (siehe Anschlag anbringen) ein.

3. Schalten Sie den Abrichthobel ein.

4. Halten Sie das Werkstück fest gegen den Zufuhrtisch (3) und den Anschlag.

5. Richten Sie die Abdeckung (19) aus – siehe Messerwellenabdeckung verwenden.

6. Führen Sie das Werkstück vollständig über den Hobel. Halten Sie einen festen Druck gegen Anschlag und Tisch während des gesamten Durchgangs aufrecht.

7. Wiederholen Sie den Durchgang, falls erforderlich, bis Sie die gewünschte Oberflächengüte erreicht haben.

Abrichten von Schrägungen

Siehe Abbildung D.

• Schrägschnitte sind Winkelschnitte, welche sich mit dem Winkelanschlag (15) in gewünschten Winkeln anfertigen lassen, wenn das Werkstück entlang des Winkelanschlags vorgeschoben wird. Dieser Arbeitsvorgang benötigt in der Regel mehrere Durchgänge, um die gewünschte Oberflächengüte zu bekommen.

1. Stellen Sie die Höhe des Zufuhrtisches (3) auf die gewünschte Spanabnahme ein.

WICHTIG: Nehmen Sie beim Hobeln der Oberfläche nur Spanabnahmen mit geringer Tiefe vor, um einen Rückschlag zu vermeiden.

2. Stellen Sie den Anschlag auf die gewünschte Winkeleinstellung (siehe Anschlag anbringen) ein.

3. Halten Sie das Werkstück fest gegen den Zufuhrtisch und den Anschlag.

4. Legen Sie das Werkstück gegen den Zufuhrtisch und den Anschlag mit der konkaven Seite nach unten.

5. Schalten Sie den Abrichthobel ein.

6. Richten Sie die Abdeckung (19) aus - siehe Messerwellenabdeckung verwenden.
7. Halten Sie den Druck des Werkstücks gegen den Anschlag und die Tische mit dem ersten Schieberblock (22) aufrecht und führen Sie das Werkstück mit dem zweiten Schieberblock ein.
8. Wiederholen Sie den Durchgang, bis Sie die gewünschte Oberflächengüte erreicht haben.

Zubehör

- Ein umfassendes Sortiment an Zubehör und Verschleißteilen, darunter Atemschutzmasken und schnittfeste Schutzhandschuhe, sind über Ihren Triton-Fachhandel erhältlich.
- Ersatzteile können unter toolsparesonline.com bezogen werden.

Wartung und Pflege

⚠️ WARNUNG! Trennen Sie das Gerät stets vom Stromnetz, bevor Sie Zubehörwechsel oder Einstellungsänderungen vornehmen.

⚠️ WARNUNG! Tragen Sie beim Umgang mit der Messerwelle (2) und deren Geräteteile stets Schnittschutzhandschuhe.

- Dieses Werkzeug wurde unter Verwendung erstklassiger Komponenten hergestellt und nutzt innovative, intelligente Schaltkreistechnik, die das Werkzeug und seine Komponenten schützen. Bei ordnungsgemäßer Nutzung sollte das Gerät eine lange Standdauer haben.
- Durch den Nutzenden austauschbare Geräteteile beinhalten:
 - I. Hobelmesser
 - II. Antriebsriemen
 - III. Zusatzriemen

Hinweis: Anweisungen zur Wartung dieser Elemente finden Sie in diesem Abschnitt des Handbuchs.

Allgemeine Überprüfung

- Überprüfen Sie alle Befestigungsschrauben in regelmäßigen Abständen auf festen Sitz,
- Kontrollieren Sie das Netzkabel des Gerätes vor jedem Gebrauch auf Schäden und Verschleiß. Reparaturen müssen durch eine zugelassene Triton-Reparaturwerkstatt erfolgen. Dies gilt auch für mit dem Gerät verwendete Verlängerungskabel.
- Sollten Sie sich der korrekten Ausführungsweise der Wartungsarbeiten nicht völlig sicher sein, dann lassen Sie das Gerät von einem zugelassenen Triton-Servicecenter warten.

Reinigung

⚠️ WARNUNG! Schalten Sie das Gerät aus und trennen Sie es stets von der Stromversorgung, bevor Sie Spanablagerungen entfernen. Tragen Sie bei der Reinigung des Gerätes stets schnittfeste Schutzhandschuhe, da es scharfe Oberflächen und Geräteteile enthält.

- Halten Sie Ihr Gerät stets sauber. Durch Schmutz und Staub verschleiben die Innenteile schnell und die Lebensdauer des Gerätes wird verkürzt. Säubern Sie das Gerätegehäuse mit einer weichen Bürste oder einem trockenen Tuch. Die Entlüftungsöffnungen gegebenenfalls mit sauberer, trockener Druckluft reinigen, sofern verfügbar.
- Saugen Sie nach dem Gebrauch den Abrichtobel ab, um Holzspäne, Sägemehl und Ablagerungen zu entfernen.
- Entfernen Sie Sägemehl, Holzspäne und Schmiere von Antriebsriemen, Zahnrädern und allen beweglichen Geräteteilen.
- Säubern Sie das Gerätegehäuse mit einem feuchten, weichen Lappen und einem milden Reinigungsmittel. Verwenden Sie keinesfalls benzin- oder alkoholhaltige oder andere scharfe Reinigungsmittel.
- Reinigen Sie Kunststoffteile niemals mit Ätzmitteln.

Messerwechsel

⚠️ WARNUNG! Tragen Sie beim Umgang mit den Hobelmessern (45) stets Schnittschutzhandschuhe.

WICHTIG: Verwenden Sie nur Hobelmesser, die ausdrücklich auf die Verwendung mit dieser Maschine ausgelegt sind.

1. Entfernen Sie die Antriebsriemenabdeckung (5) mithilfe des 4-mm-Innensechskantschlüssels (25) (Abb. XII).
2. Rotieren Sie die Messerwelle, so dass die vier Messerschrauben (42) freiliegen.
3. Lösen Sie die vier Messerschrauben (42) mit dem 3-mm-Schraubenschlüssel (Abb. XIV).
4. Nehmen Sie die Messerhalterung (43) und die Messer vorsichtig heraus.
5. Setzen Sie das neue Messer ein, indem Sie es auf die Messerausrichtungsschrauben (44) setzen (Abb. XVII).
6. Schrauben Sie die Messerschrauben ein und richten Sie das Messer (siehe Messer ausrichten) aus.
7. Wiederholen Sie die Schritte beim Auswechseln des zweiten Messers.

Riemen auswechseln

Zusatzriemens auswechseln

1. Setzen Sie den Hobel auf den Fußboden oder einer Werkbank ab, so dass die Unterseite des Gerätes zugänglich ist.
2. Schrauben Sie die untere Abdeckung ab und entfernen Sie sie.
3. Lösen Sie die zwei Sechskantschrauben der Staubabsaugvorrichtung (47) ein wenig, so dass sie sich von Seite zu Seite bewegen lässt.
4. Wechseln Sie den Zusatzriemen (48) aus.
5. Ziehen Sie den Riemen auf und die Sechskantschrauben wieder an.
6. Setzen Sie die Abdeckung wieder ein und befestigen Sie sie.

Antriebsriemen auswechseln

1. Setzen Sie den Hobel auf den Fußboden oder einer Werkbank ab, so dass die Unterseite des Gerätes zugänglich ist.
2. Schrauben Sie die untere Abdeckung ab und entfernen Sie sie.
3. Wechseln Sie den Zusatzriemen (48) aus (siehe „Zusatzriemen auswechseln“).
4. Lösen Sie die vier Sechskantschrauben des Motorgehäuses (46) ein wenig, so dass sie sich von Seite zu Seite bewegen lässt.
5. Entfernen Sie den Antriebsriemen (49).
6. Wechseln Sie den Antriebsriemen aus.
7. Ziehen Sie den Riemen auf und die Sechskantschrauben wieder an.
8. Setzen Sie den Ersatzriemen wieder auf und befestigen Sie die Abdeckung.

Schmierung

- Schmieren Sie alle beweglichen Teile regelmäßig mit einem geeigneten Schmiermittelspray.
- Die Lager in der Motoreinheit und des Messeraufbaus sind werkseitig abgedichtet und benötigen keine weitere Schmierung.
- Die folgenden Geräteteile benötigen eine regelmäßige Schmierung:
 - Gewinde des Spanabnahmeeinstellers
 - Anschlagsschiebebügel
 - Sicherungshebel des Winkelanschlages
 - Sicherungshebel des Parallelanschlages
 - Schutzhaubenmechanismus
- Entfernen Sie eventuelle Fettrückstände von den anderen Komponenten, verwenden Sie ggf. Spiritus, und tragen Sie anschließend eine Schicht leichtes Mehrzweckfett auf (nicht im Lieferumfang enthalten).
- Die Arbeitstische können mit einer sehr dünnen Schicht Schmierwachs (nicht im Lieferumfang enthalten) beschichtet werden, um die Oberfläche vor Rost zu schützen und einen reibungslosen Vorschub während des Betriebs zu ermöglichen

Kohlebürsten

- Mit der Zeit unterliegen die Kohlebürsten des Motors dem Verschleiß.
- Wenn der Verschleiß der Kohlen fortgeschritten ist, kann dadurch die Motorleistung abnehmen, die Maschine kurzzeitig ausfallen oder es kann zu sichtbarer Funkenbildung kommen.
- Lassen Sie die Kohlebürsten bei derartigen Verschleißanzeichen von einem zugelassenen Triton-Vertragskundendienst ersetzen.

Lagerung

- Bewahren Sie dieses Gerät sorgfältig an einem sicheren, trockenen Ort außerhalb der Reichweite von Kindern auf.

Kontakt

Informationen zu Reparatur- und Kundendiensten erhalten Sie unter der Rufnummer (+44) 1935/382222.

Webseite: www.tritontools.com

GB-Postanschrift:

Toolstream Ltd.
Boundary Way
Lufton Trading Estate
Yeovil, Somerset
BA22 8HZ, Großbritannien

EU-Postanschrift:

Toolstream B.V.
Hogeweg 39
5301 LJ Zaltbommel
Niederlande

Entsorgung

Beachten Sie bei der Entsorgung von defekten und nicht mehr reparablen Elektrowerkzeugen die geltenden Vorschriften und Gesetze.

- Elektrowerkzeuge und andere elektrische und elektronische Altgeräte nicht über den Hausmüll entsorgen.
- Lassen Sie sich von der zuständigen Behörde bezüglich der ordnungsgemäßen Entsorgung von Elektrowerkzeugen beraten.

Fehlerbehebung

Störung	Mögliche Ursache	Empfohlene Abhilfe
Kein Betrieb bei Betätigung des Ein-/Ausschalters (6)	Kein Strom	Stromanschluss überprüfen
	Ein-/Ausschalter defekt	Ein-/Ausschalter von einem zugelassenen Triton-Kundendienst ersetzen lassen
Motor läuft nicht	Kohlebürsten abgenutzt	Kohlebürsten von einem zugelassenen Triton-Kundendienst ersetzen lassen
Minderwertige Oberflächengüte nach Beendigung des Hobeldurchgangs	Gewählte Spanabnahme zu hoch	Spanabnahme verringern und Material in mehreren Hobeldurchgängen abnehmen
	Unschärfe Hobelmesser (45)	Hobelmesser wenden bzw. ersetzen (siehe „Hobelmesser wechseln“)
	Holz zu feucht	Maschine sofort abschalten. Messerposition überprüfen und ggf. korrigieren (siehe „Hobelmesser wechseln“)
Messerwelle rotiert nicht	Antriebsriemen (49) defekt	Antriebsriemen gemäß „Antriebsriemen wechseln“ ersetzen
Vibrationen und anomale Geräusche	Betrieb SOFORT einstellen	Alle von der Bedienperson zu wartbaren Teile auf festen Sitz und korrekte Montage überprüfen
		An einen zugelassenen Triton-Kundendienst wenden

Garantie

Zur Anmeldung Ihrer Garantie besuchen Sie bitte unsere Website tritontools.com* und tragen dort Ihre persönlichen Daten ein.

Kaufinformation

Kaufdatum: ___/___/___

Modell: TSPL152

Bewahren Sie bitte Ihren Beleg als Kaufnachweis auf.

Triton garantiert dem Käufer dieses Produkts, dass Triton, wenn sich Teile dieses Produkts innerhalb von 3 Jahren ab Originalkaufdatum infolge fehlerhafter Materialien oder Arbeitsausführung als defekt erweisen, das mangelhafte Teil nach eigenem Ermessen entweder kostenlos reparieren oder ersetzen wird.

Diese Garantie gilt nicht für kommerzielle Verwendung und erstreckt sich nicht auf normalen Verschleiß oder Schäden infolge von Unfall, Missbrauch oder unsachgemäßer Verwendung.

*Bitte registrieren Ihren Artikel innerhalb von 30 Tagen nach dem Kauf online.

Es gelten die allgemeinen Geschäftsbedingungen.

Ihre gesetzlich festgelegten Rechte werden dadurch nicht eingeschränkt.

Traduzione delle istruzioni originali

Introduzione

Grazie per aver acquistato questo prodotto Triton. Questo manuale contiene le informazioni necessarie per un funzionamento sicuro ed efficace di questo prodotto. Questo prodotto ha caratteristiche uniche e, anche se si ha familiarità con prodotti simili, è necessario leggere attentamente questo manuale per assicurarsi di comprendere a pieno le istruzioni. Assicurarsi che tutti gli utenti del prodotto leggano e comprendano a pieno questo manuale. Conservare le istruzioni con il prodotto per eventuali consultazioni future.

Descrizione dei simboli i

La targhetta sul vostro prodotto può mostrare simboli. Questi rappresentano importanti informazioni sul prodotto o istruzioni sul suo utilizzo.



Indossare una protezione acustica
Indossare una protezione per gli occhi
Indossare una protezione respiratoria
Indossare un casco protettivo



Indossare una protezione per le mani



Leggere il manuale di istruzioni



NON utilizzare in caso di pioggia o in ambienti umidi!



Scollegare sempre dalla rete elettrica durante la regolazione, la sostituzione degli accessori, la pulizia, la manutenzione e quando non in uso!



AVVERTENZA: le parti in movimento possono causare danni e/o lesioni da taglio



Non toccare le lame prima che la macchina sia scollegata dalla rete di alimentazione e che le lame si siano completamente arrestate.

AVVERTENZA: PERICOLO DI SOLLEVAMENTO

Il sollevamento da parte di una singola persona potrebbe causare lesioni



Farsi assistere da qualcuno per lo spostamento o il sollevamento
AVVERTENZA: Questo prodotto è pesante, per questo, per precauzione, è consigliabile che venga assemblato da due persone.



Costruzione di classe I (messa a terra)



Protezione ambientale

I rifiuti elettrici non possono essere smaltiti con i rifiuti domestici. Riciclare dove esistono strutture idonee. Verificare con le autorità locali o con il vostro rivenditore per consigli sul riciclaggio.



Conforme agli attuali standard legislativi e di sicurezza.



Attenzione!



Pericolo di contraccolpo!



Esclusivamente per utilizzo interno!



Si raccomanda/richiede un sistema di estrazione della polvere

Abbreviazioni tecniche

V	Volt
~	Corrente alternata
A, mA	Ampere, milliampere
n_0	Velocità a vuoto
Nm	Newton per metro (coppia)
psi	Locuzione inglese che significa « libbre per pollice quadrato » (unità di misura della pressione nel sistema anglosassone)
°	Gradi
Hz	Hertz
W, kW	Watt, Kilowatt
min ⁻¹	Operazioni al minuto
dB (A)	Livello sonoro in decibel (A ponderato)

Specifiche tecniche

Modello:	TSPL152
Tensione:	220 - 240 V ~, 50 / 60 Hz
Potenza:	1100 W
Potenza del fusibile della spina (solo Regno Unito):	13 A
Velocità a vuoto:	8000 min ⁻¹
Max profondità di piallatura:	0 - 3,2 mm
Larghezza di piallatura:	0 - 152,4 mm
Dimensioni superficie di support:	771 x 250 mm
Angolazione della guardia:	45 - 135°
Diametro dell'ugello di estrazione della polvere:	Interno: 50 mm Esterno: 60 mm
Classe di protezione:	
Protezione di ingresso:	IP20
Lunghezza cavo di alimentazione:	2 m
Dimensioni (L x P x A):	965 x 505 x 315 mm
Peso:	25,4 kg
Come parte del nostro continuo sviluppo, le specifiche dei prodotti Triton possono modificare senza preavviso.	
Informazioni su suoni e vibrazioni	
Pressione sonora L_{PA}	94,3 dB (A)
Potenza sonora L_{WA}	107,3 dB (A)
Tolleranza K	3 dB (A)

Il livello di intensità del suono per l'operatore potrebbe superare gli 85 dB (A) rendendo necessarie misure di protezione.

⚠ **AVVERTENZA:** Indossare sempre protezioni per le orecchie, quando il livello sonoro supera i 85 dB (A) e limitare il tempo di esposizione, se necessario. Se i livelli sonori dovessero creare disagio anche con la protezione auricolare, smettere di utilizzare lo strumento immediatamente e controllare che la protezione acustica sia montata correttamente e che fornisca il giusto livello di isolamento acustico per il livello del suono prodotto dal tuo strumento.

⚠ **AVVERTENZA:** l'esposizione dell'utente alle vibrazioni dello strumento può causare la perdita del senso del tatto, intorpidimento, formicolio e riduzione della capacità di presa. Una lunga esposizione può portare ad una condizione cronica. Se necessario, limitare la durata di esposizione alle vibrazioni e utilizzare guanti anti-vibrazione. Non utilizzare l'utensile se la temperatura delle mani è al di sotto del normale, in quanto ciò aumenterà l'effetto delle vibrazioni. Utilizzare i dati forniti nelle specifiche tecniche relativi alle vibrazioni per calcolare la durata e la frequenza di funzionamento dell'utensile.

⚠ **AVVERTENZA:** l'emissione delle vibrazioni durante l'uso effettivo del dell'utensile può essere diverso dal valore totale dichiarato in quanto dipende dalle modalità in cui viene utilizzato lo strumento. Vi è la necessità di identificare le misure di sicurezza per proteggere l'operatore che si basano su una stima dell'esposizione nelle effettive condizioni d'uso (tenendo conto di tutte le parti del ciclo operativo come i tempi in cui lo strumento è spento e quando è attivo a vuoto oltre al tempo di attivazione).

Il valore totale della vibrazione dichiarato è stato misurato secondo un metodo di prova standard e può essere utilizzato per confrontare uno strumento con un altro. Il valore totale della vibrazione dichiarata può anche essere utilizzato in una valutazione preliminare dell'esposizione.

I livelli sonori nelle specifiche sono determinati seguendo gli standard internazionali. I dati rappresentano un normale utilizzo per l'utensile in condizioni di lavoro generali. Un utensile tenuto in cattive condizioni, montato in modo errato o utilizzato in maniera impropria può essere causa di un aumento dei livelli sonori e delle vibrazioni. www.osha.europa.eu fornisce informazioni sui livelli sonori e delle vibrazioni nei luoghi di lavoro utili agli utenti domestici che utilizzano utensili per lunghi periodi di tempo.

Avvertenze di sicurezza generali per utensili elettrici

⚠ **AVVERTENZA:** Quando si utilizzano elettrostrumenti le precauzioni di sicurezza di base, incluse quelle elencate qui di seguito, dovrebbero essere sempre seguite per ridurre il rischio di incendi, scosse elettriche e lesioni personali. Leggere tutte le istruzioni prima di utilizzare il prodotto e conservarle per un utilizzo futuro.

⚠ **AVVERTENZA:** Questo apparecchio non è destinato all'uso da parte di persone (inclusi i bambini) con capacità fisiche o mentali ridotte o con mancanza di esperienza o di conoscenza, a meno che non siano controllati o istruiti all'uso dell'apparecchio da una persona responsabile della loro sicurezza. I bambini devono essere controllati in ogni momento per assicurarsi che non giochino con l'utensile.

ATTENZIONE: Utilizzare l'elettrotensile e tutti i componenti e gli accessori in conformità con le istruzioni di questo manuale e nella maniera prevista per ciascun tipo di utensile, tenendo conto delle condizioni lavorative e del compito da eseguire. L'uso di elettrotensili per usi diversi da quelli consentiti potrà dar luogo a situazioni di pericolo.

Il termine "elettrotensile" nelle avvertenze si riferisce ad un elettrotensile di rete fissa (con filo) o un utensile a batteria (senza filo).

1 **Mantenere l'area di lavoro pulita** - Le aree disorganizzate e i banchi di lavoro in disordine possono essere fonte di incidenti

2 **Tenere in considerazione l'ambiente di lavoro**

- Non esporre gli utensili alla pioggia
- Non utilizzare gli strumenti in luoghi umidi o bagnati
- Mantenere l'area di lavoro ben illuminata
- Non usare utensili in presenza di liquidi o gas infiammabili

3 **Protezione contro le scosse elettriche** - Evitare il contatto fisico con superfici collegate a terra (per es. tubi, caloriferi, fornelli, frigoriferi)

4 **Mantenere lontane le persone non coinvolte nel progetto** - Non permettere a nessuno, specialmente se si tratta di bambini, di toccare l'utensile e il suo cavo o di avvicinarsi alla zona di lavoro

5 **Riporre gli elettrotensili** - Quando non in uso, gli strumenti devono essere conservati in un luogo sicuro e asciutto, fuori dalla portata dei bambini

6 **Non forzare lo strumento** - Se si usa la velocità prevista, il lavoro sarà eseguito in maniera migliore e più rapida

7 **Utilizzare lo strumento giusto** - Non forzare piccoli attrezzi per eseguire il lavoro di un attrezzo più potente. Non usare utensili per scopi non previsti, ad esempio non utilizzare seghe circolari per tagliare grossi rami o tronchi

8 **Vestire in modo appropriato**

- Non indossare abiti larghi o gioielli che possono rimanere impigliati nelle parti in movimento
- Si consiglia di indossare calzature di sicurezza adatte quando si lavora all'aperto
- Indossare una protezione per contenere i capelli lunghi

9 **Utilizzare dispositivi di protezione**

- Usare occhiali di sicurezza
- Utilizzare una mascherina antipolvere, se le operazioni di lavoro creano polvere

⚠ AVVERTENZA: Non utilizzare dispositivi di protezione o un abbigliamento adeguato può causare lesioni personali o aumentare la gravità di un potenziale infortunio.

10 **Collegare apparecchiature di aspirazione** - Se lo strumento è dotato di collegamento con un aspiratore e raccogliatore di polvere, assicurarsi che questi siano collegati e utilizzati correttamente

11 **Non abusare del cavo di alimentazione** - Non tirare mai il cavo di alimentazione per scollegarlo dalla presa. Mantenere il cavo lontano dalle fonti di calore, dall'olio e dai bordi affilati. Cavi di alimentazione danneggiati o aggrovigliati aumentano il rischio di scosse elettriche

12 **Lavorare in sicurezza** - Dove possibile utilizzare ganasce o morse per bloccare il pezzo di lavoro. È più sicuro rispetto all'uso delle mani

13 **Non sbilanciarsi** - Mantenere sempre la posizione e l'equilibrio in ogni momento

14 **Mantenere gli utensili elettrici con cura**

- Mantenere gli utensili da taglio affilati e puliti rende più facile controllare lo strumento così da creare meno probabilità di impigliarsi o bloccarsi al pezzo in lavorazione
- Seguire le istruzioni per la lubrificazione e la sostituzione degli accessori
- Controllare periodicamente i cavi di alimentazione degli strumenti e se danneggiati inviarli in riparazione presso un centro di assistenza autorizzato
- Controllare le prolunghe regolarmente e sostituirle se danneggiate
- Mantenere le impugnature asciutte, pulite e prive di olio e grasso

⚠ AVVERTENZA: La maggior parte degli incidenti sono causati da una scarsa manutenzione.

15 **Scollegare gli strumenti** - Scollegare lo strumento dalla rete elettrica quando non è in uso, prima di ogni operazione di manutenzione e durante il cambio di accessori come lame, punte e frese

⚠ AVVERTENZA: l'uso di accessori o ricambi non consigliati dal produttore può comportare il rischio di lesioni alle persone.

16 **Rimuovere le chiavi regolatrici e chiavi inglesi** - Si consiglia di prender l'abitudine di controllare che le chiavi regolatrici e le chiavi inglesi siano rimosse dallo strumento prima di accenderlo

17 **Evitare avviamenti accidentali** - Controllare che l'interruttore sia spento quando si collega lo strumento alla presa di corrente, durante l'inserimento di una batteria, o quando si sta prendendo in mano o trasportando lo strumento

⚠ AVVERTENZA: l'avviamento involontario di un utensile può causare gravi lesioni.

18 **Utilizzare prolunghe per l'esterno** - Quando lo strumento viene utilizzato all'aperto, utilizzare unicamente prolunghe progettate per uso esterno. L'uso di un cavo di prolunga adatto all'esterno riduce il rischio di scosse elettriche

19 **Rimanere all'erta**

- Fare attenzione a quello che si sta facendo, usare il buon senso e non azionare l'utensile quando si è stanchi
- Non utilizzare elettrotensili mentre si è sotto l'effetto di droghe, alcol o medicinali

⚠ AVVERTENZA: quando si usa un elettrotensile un attimo di distrazione è sufficiente a causare gravi lesioni alle persone.

20 Controllare le parti danneggiate

- Prima di continuare ad utilizzare l'utensile, controllarlo attentamente per determinare che funzioni correttamente per la funzione prevista
- Verificare l'allineamento, l'eventuale bloccaggio, i danni ai componenti, il corretto montaggio delle parti in movimento e altre condizioni che possono compromettere il funzionamento dell'utensile
- Una guardia o altre parti danneggiate devono essere adeguatamente riparate o sostituite da un centro di assistenza autorizzato se non diversamente indicato nel presente manuale di istruzioni
- Gli interruttori difettosi devono essere sostituiti da un centro di assistenza autorizzato

⚠ **AVVERTENZA:** Non utilizzare lo strumento se l'interruttore on/off non si accende nè si spegne. L'interruttore deve essere riparato prima di utilizzare l'utensile.

21 **Far riparare da personale qualificato** - Questo utensile elettrico è conforme alle norme di sicurezza pertinenti. Le riparazioni andrebbero effettuate esclusivamente da parte di personale qualificato, in caso contrario potrebbero esserci seri rischi per l'utente

⚠ **AVVERTENZA:** effettuare ricambi esclusivamente con componenti identiche.

⚠ **AVVERTENZA:** Se il cavo di alimentazione è danneggiato, deve essere sostituito dal produttore o da un centro di assistenza autorizzato.

22 **La presa dello strumento deve corrispondere alla presa di corrente** - Non modificare la spina in alcun modo. Non usare adattatori con elettrooutensili dotati di collegamento di messa a terra. L'uso di spine non modificate e prese adatte allo scopo ridurrà il rischio di scosse elettriche

23 **In caso di funzionamento di un utensile elettrico all'esterno utilizzare un dispositivo di corrente residua (RCD)** - Usare un sistema RCD riduce il rischio di scosse elettriche

NOTA: Il termine "dispositivo di corrente residua (RCD)" può essere sostituito con il termine "interruttore differenziale (salvavita) (GFCI)" o "interruttore differenziale (ELCB)".

24 **Quando utilizzato in Australia o in Nuova Zelanda, si raccomanda di avviare l'utensile con dispositivi di corrente residua (RCD) con una corrente differenziale nominale di 30 mA o meno.**

25 **Utilizzare una prolunga adeguata. Assicurarsi che il cavo di prolunga sia in buone condizioni.** Quando si usa un cavo di prolunga, assicurarsi di usarne uno abbastanza dimensionato per trasportare la corrente assorbita dal vostro prodotto. Un cavo con una sezione insufficiente comporterà una caduta della tensione di linea causando una perdita di potenza ed il surriscaldamento.

26 **Non lasciare lo strumento fino a quando non si arresta completamente. Spegnerne l'alimentazione.** Non lasciare lo strumento fino a quando non si arresta completamente.

Anche se usato come prescritto non è possibile eliminare tutti i fattori di rischio. Utilizzare con cautela. Evitare di utilizzare il prodotto in caso di dubbi o incertezze sulle corrette modalità di utilizzo.

⚠ **AVVERTENZA:** Prima di collegare uno strumento a una fonte di alimentazione (interruttore di rete, presa, ecc), assicurarsi che la tensione sia la stessa di quella indicata sulla targhetta dello strumento. Una fonte di alimentazione con tensione superiore a quella specificata è in grado di causare gravi lesioni per l'utente, oltre che danni allo strumento. In caso di dubbio, non attaccare lo strumento alla presa. Utilizzare una fonte di alimentazione con tensione inferiore a quella specificata è invece dannoso per il motore.

Sicurezza degli utensili da taglio

⚠ **AVVERTENZA:** Prima di collegare uno strumento a una fonte di alimentazione (interruttore di rete, presa, ecc), assicurarsi che la tensione sia la stessa di quella indicata sulla targhetta dello strumento. Una fonte di alimentazione con tensione superiore a quella specificata è in grado di causare gravi lesioni per l'utente, oltre che danni allo strumento. In caso di dubbio, non attaccare lo strumento alla presa. Utilizzare una fonte di alimentazione con tensione inferiore a quella specificata è invece dannoso per il motore.

Utilizzare lo strumento corretto per il taglio da effettuare

- Assicurarsi che l'utensile da taglio sia adatto al lavoro. Non assumere che uno strumento sia adatto senza consultare la documentazione del prodotto prima dell'uso

Indossare una protezione per gli occhi

- Indossare sempre un'adeguata protezione per gli occhi quando si usano strumenti da taglio
- Gli occhiali da vista non sono progettati per offrire protezione durante l'utilizzo di questo prodotto; le lenti normali non sono resistenti agli urti e potrebbero rompersi

Indossare protezioni per l'udito

- Indossare sempre un'adeguata protezione acustica quando il rumore dell'utensile supera 85 dB

Proteggere le vie respiratorie

- Assicurarsi che tutte le persone coinvolte nel progetto (incluso l'operatore) indossino maschere antipolvere adeguate

Proteggere le mani

- Non permettere alle mani di avvicinarsi alla ruota o alle lame di taglio. Utilizzare uno spingipezzo adatto per pezzi più corti con utensili elettrici appropriati

Essere consapevole degli altri intorno

- È responsabilità dell'utente assicurarsi che le altre persone che si trovano nelle vicinanze dell'area di lavoro non siano esposte a rumori o polvere pericolosi e anche che dispongano di dispositivi di protezione adeguati

Oggetti nascosti

- Ispezionare il pezzo e rimuovere tutti i chiodi e altri oggetti incastrati prima del taglio
- Non tentare di tagliare materiale contenente oggetti incastrati a meno che non ci si assicuri che lo strumento da taglio montato sulla macchina sia adatto per il lavoro
- Le pareti possono nascondere cavi e tubature, i pannelli della carrozzeria dell'auto possono nascondere linee di carburante e l'erba alta può nascondere pietre e vetro. Controllare sempre accuratamente l'area di lavoro prima di procedere

Attenzione ai rifiuti proiettati

- In alcune situazioni, il materiale di scarto può essere proiettato ad alta velocità dallo strumento da taglio. È responsabilità dell'utente garantire che altre persone nell'area di lavoro siano protette dal rischio di rifiuti proiettati

Montaggio di utensili da taglio

- Assicurarsi che gli strumenti da taglio siano montati correttamente e saldamente e controllare che le chiavi e i dispositivi di regolazione siano rimossi prima dell'uso
- Utilizzare solo utensili da taglio consigliati per la macchina
- Non tentare di modificare gli utensili pneumatici
- Assicurarsi che le lame siano affilate, in buone condizioni e correttamente montate
- Non tentare di riaffilare le lame che non sono adatte per la riaffilatura, queste possono includere lame temprate o lame costituite da leghe indurite tipicamente contenenti tungsteno
- Le lame che possono essere riaffilate devono essere riaffilate solo secondo le istruzioni del produttore. È possibile che vi sia un numero limitato di volte in cui la lama può essere riaffilata
- Le lame riaffilate devono essere ispezionate più a fondo prima dell'uso e sostituite immediatamente in caso di dubbi sulle condizioni o sull'idoneità all'uso
- Nel caso in cui le lame incontrassero un oggetto per cui non sono adatte, queste dovrebbero essere sostituite immediatamente

Direzione d'uso

- Alimentare sempre il pezzo in lavorazione verso la lama o la fresa, nella direzione contraria del movimento della lama o della fresa

Attenzione alle temperature

- Gli utensili da taglio e i pezzi possono diventare caldi durante l'uso. Non tentare di cambiare gli strumenti finché non si siano raffreddati completamente

Controllo di polvere e trucioli

- Non lasciare che polvere o trucioli si accumulino. La segatura presenta un pericolo di incendio e alcuni trucioli di metallo sono esplosivi
- Prestare particolare attenzione durante il taglio di legno e metallo. Le scintille derivanti dal taglio dei metalli sono causa comune degli incendi di segatura
- Ove possibile, utilizzare un sistema di aspirazione della polvere per garantire un ambiente di lavoro più sicuro

Sicurezza della piallatrice da banco

⚠ **AVVERTENZA:** non utilizzare mai lo strumento senza la protezione appropriata in posizione o regolata correttamente.

⚠ **AVVERTENZA:** qualsiasi parte del blocco di taglio non utilizzata per la piallatura deve essere protetta.

⚠ **AVVERTENZA:** durante la piallatura di pezzi sottili, potrebbero essere necessarie misure aggiuntive come l'uso di dispositivi a pressione orizzontale per garantire un funzionamento sicuro.

⚠ **AVVERTENZA:** gli strumenti di piallatura non devono essere utilizzati per tagliare battute, incavi, tenoni o stampi.

- **Utilizzare un'adeguata protezione respiratoria:** l'uso di questo strumento può generare polvere contenente sostanze chimiche che possono provocare cancro, difetti alla nascita o altri danni riproduttivi. Alcuni legni contengono conservanti come il rame-arseniato di cromo (CCA) che possono essere tossici. Durante la levigatura, la perforazione o il taglio di questi materiali è necessario prestare particolare attenzione per evitare l'inalazione e ridurre al minimo il contatto con la pelle.

- **Utilizzare solo lame affilate.** Maneggiare con cura le lame con guanti antitaglio.

⚠ **AVVERTENZA:** non utilizzare lame smussate, ciò aumenta il pericolo di contraccolpi.

- **Assicurarsi che tessuti, corde, stracci, fili e oggetti simili siano stati rimossi dall'area di lavoro.** Per evitare che si aggroviglino nel meccanismo della lo strumento
- **Lasciare che lo strumento raggiunga la massima velocità prima di entrare in contatto e iniziare il taglio del pezzo**
- **Spegner SEMPRE e lasciare che le lame si fermino completamente prima di eseguire qualsiasi regolazione, pulizia o manutenzione**
- **Sostituire tutte le lame contemporaneamente,** altrimenti lo squilibrio risultante causerà vibrazioni e ridurrà la vita utile della piallatrice e delle lame
- **Non tentare di eseguire operazioni di taglio non consigliate dal produttore.** Tagli, incavi, tenoni, stampi o piallature di legni pesantemente piegati non sono permessi con questo strumento.
- **Non utilizzare la piallatrice se non è stata fissata su una superficie di lavoro sicura.** Senza un fissaggio sufficiente, la piallatrice può muoversi bruscamente durante il funzionamento, causando potenzialmente gravi lesioni all'operatore.
- **Tenere sempre lo spingipezzo accanto alla superficie di supporto durante le operazioni di piallatura.** Quando si piallano pezzi corti, è necessario utilizzare uno spingipezzo. Utilizzare lo spingipezzo per alimentare il legno quando si trova in prossimità della lama e quando il legno ha uno spessore inferiore a 75 mm.
- **Non tentare la piallatura di materiale piegato se il contatto con la superficie di supporto è insufficiente**
- **Quando si trasporta l'utensile, assicurarsi di utilizzare le maniglie di supporto (non la maniglia operativa) e che tutti i meccanismi di blocco e di protezione siano saldamente in posizione**

Prevenzione del contraccolpo

Nota: Il contraccolpo si verifica quando la lama si arresta rapidamente, nel caso in cui sia stata schiacciata, legata o disallineata, e spinge il pezzo in lavorazione indietro verso l'operatore. Può anche tirare la mano dell'operatore nella lama, provocando gravi lesioni.

⚠ **AVVERTENZA:** Il contraccolpo è il risultato di un uso improprio dell'utensile e / o di procedure o condizioni operative errate, tuttavia, se vengono prese precauzioni, le forze di contraccolpo possono essere controllate dall'operatore o evitate del tutto:

- a) **Non tentare MAI di tagliare con una lama smussata o deformata.** AssicurarSI SEMPRE che la lama sia adatta al materiale da tagliare.
- b) **AssicurarSI SEMPRE che la guida / tavola sia parallela alla lama.** Se la guida / tavola si inclina verso l'interno verso la lama, il pezzo in lavorazione può entrare in contatto con il bordo posteriore della lama.
- c) **Fare ATTENZIONE quando si tagliano pezzi di grandi dimensioni.** AssicurarSI che il pezzo più grande sia adeguatamente supportato adeguatamente in entrata e in uscita.
- d) **NON tagliare supporti rotondi o pezzi in lavorazione che non possono essere appiattiti sul tavolo.** Evitare di tagliare legno contorto, deformato o con nodi.
- e) **NON tagliare il legno bagnato, poiché produce un maggiore attrito contro la lama.** La segatura bagnata può accumularsi sulla lama, aumentando ulteriormente la probabilità di contraccolpo.
- f) **Mantenere una presa salda con entrambe le mani sulla pialla e posiziona le braccia in modo che possano resistere alle forze coinvolte in un eventuale contraccolpo.**
- g) **Rimanere fuori dal percorso della lama** e posizionare il corpo su entrambi i lati della lama, ma non in linea con la lama.
- h) **NON tornare indietro sul taglio.** Se è necessario interrompere un taglio prima che sia completo, spegnere l'utensile e rimuovere il pezzo in lavorazione dall'utensile, una volta che la lama ha smesso di girare.
- i) **Usare SEMPRE le maniglie ove appropriato, per guidare il pezzo da lavorare attraverso la lama.** Utilizzare cunei per tenere premuto il pezzo in lavorazione, ove possibile

23. Chiave esagonale da 6 mm
24. Chiave esagonale da 5 mm
25. Chiave esagonale da 4 mm
26. Maniglie
27. Braccio di guardia
28. Chiave inglese (10 x 12 mm)
29. Rondella elastica da 8mm
30. Rondella piatta da 8mm
31. Distanziatore da 10 mm
32. Rondella elastica da 6 mm
33. Dado M6 x 10mm
34. Vite a testa esagonale M8 x 30mm
35. Vite a testa esagonale M8 x 20 mm
36. 13 x Bulloni x 20mm
37. Vite esagonale M6 x 25 mm
38. Fermabulloni esterni
39. Fermabulloni interni
40. Blocco scorrevole
41. Piastra protettiva scorrevole
42. Viti della lama
43. Morsetto della lama
44. Vite di regolazione dell'allineamento della lama
45. Lama
46. Viti esagonali dell'unità motore
47. Viti esagonali dell'unità di estrazione della polvere
48. Cinghia ausiliaria
49. Cinghia di trasmissione

Familiarizzazione con il prodotto

1. Tavola di lavoro per pezzi in uscita
2. Tamburo della lama
3. Tavola di lavoro per pezzi in entrata
4. Fori di montaggio della guardia
5. Copricinghia
6. Interruttore ON/OFF
7. Manopola di regolazione della profondità di taglio
8. Fori di montaggio da banco
9. Cavo di alimentazione
10. Staffa di supporto dello spingipezzo
11. Assemblaggio dell'albero pialla
12. Piedini in gomma
13. Porta di estrazione della polvere
14. Spingipezzo
15. Guida
16. Staffa di montaggio della guida
17. Piastra di bloccaggio della guida
18. Staffa scorrevole della guida
19. Guardia del tamburo della lama
20. Maniglia di blocco dell'inclinazione della guida
21. Maniglia di blocco della guida scorrevole
22. Blocchi spingipezzo

Uso Previsto

Piallatrice da 152 mm da montare a banco, alimentata a rete, con guida regolabile per piallare pezzi fino a 152 mm di larghezza. Solo per lavori di piallatura leggeri.

Deve essere utilizzato solo per lo scopo previsto. Qualsiasi uso diverso da quelli menzionati in questo manuale sarà considerato un caso di uso improprio. L'utente, e non il produttore, sarà responsabile per eventuali danni o lesioni derivanti da tali casi di uso improprio. Il produttore non sarà responsabile per eventuali modifiche apportate allo strumento né per eventuali danni derivanti da tali modifiche.

Nota: non adatto ad uso commerciale.

Disimballaggio

- Disimballare con cura e controllare lo strumento. Acquisire familiarità con tutte le sue caratteristiche e funzioni
- AssicurarSI che tutte le parti dello strumento siano presenti e in buone condizioni. In caso di parti mancanti o danneggiate, sostituire tali parti prima di tentare di usare questo strumento

Prima dell'uso

⚠ **AVVERTENZA:** assicurarsi che lo strumento sia scollegato dall'alimentazione prima di collegare o cambiare accessori o apportare modifiche.

⚠ **AVVERTENZA:** indossare SEMPRE guanti antitaglio adatti (non in dotazione) quando si maneggia questo attrezzo.

Indicazioni importanti per l'uso sicuro di questo strumento

- Scollegare lo strumento dalla fonte di alimentazione ogni volta che si regola o si sostituisce qualsiasi parte
- Assicurarsi che l'interruttore ON/OFF (6) sia in posizione "OFF" prima di collegare lo strumento all'alimentazione di rete
- Tenere gli arti lontani da tutte le parti mobili
- Indossare occhiali protettivi e una maschera per coprire il viso quando si utilizza questo strumento
- Assicurarsi che tutte le parti mobili si muovano liberamente e siano prive di eventuali blocchi
- Tenere le lame affilate, allineate e correttamente fissate alla testa di taglio
- Non accendere MAI la macchina se il pezzo è a contatto con la lama
- Ogni volta che l'utensile non è in uso, posizionare l'interruttore su "OFF" e scollegare dall'alimentazione
- Mantenere l'utensile in ordine. Seguire le istruzioni di manutenzione (consultare "Manutenzione")
- Non utilizzare mai l'utensile per eseguire tagli parziali - tagliare tutta la lunghezza del pezzo
- Non utilizzare l'utensile per tagliare recessi, tenoni o stampi
- Notare la direzione di rotazione della fresa indicata sullo strumento

Montaggio a banco

- Usando i fori di montaggio da banco (8), fissare l'utensile ad una superficie di lavoro piana e robusta usando bulloni, dadi esagonali e rondelle di bloccaggio (non in dotazione).

Installazione della guida

Attaccare la staffa di montaggio della guida

1. Allineare la staffa di montaggio della guida (16) con il supporto dell'assemblaggio dell'albero pialla (11) e fissarla in posizione usando 2 viti esagonali M8 x 20 mm (35) e la chiave esagonale da 6 mm (23) (Fig. I)
2. Inserire la piastra di bloccaggio della guida (17) nella staffa di montaggio della guida. Posizionare in modo che i due perni siano contro il bordo inferiore della staffa di montaggio della guida
3. Bloccare la piastra di bloccaggio della guida in posizione usando la maniglia di blocco della guida scorrevole (21) e il distanziatore da 10 mm (31) (Fig. II).

Assemblaggio della guida e della staffa scorrevole

1. Applicare la guida (15) alla staffa scorrevole della guida (18) usando le Viti Esagonali M6 x 25mm (37), le rondelle elastiche da 6mm (32) e la chiave esagonale da 5mm (24) (Fig. III)
2. Far scorrere la guida e la staffa scorrevole sugli incastri a coda di rondine della staffa di montaggio della guida (16) e sulla piastra di bloccaggio della guida (Fig. IV)
3. Far scorrere la maniglia di blocco dell'inclinazione (20) attraverso il distanziatore da 10 mm (31), quindi nell'assemblaggio, e avvitare in senso orario per serrare (Fig. V)

Nota: sia la maniglia di blocco dell'inclinazione (20) che la maniglia di blocco della guida scorrevole (21) hanno una regolazione indipendente a molla, il che significa che le impugnature possono essere ruotate indipendentemente dalla barra. Questo può essere effettuato tirando le maniglie, ruotandole e poi rilasciandole. Questa funzione può essere utilizzata nel caso in cui le maniglie non possano essere ruotate a causa di un blocco tra le parti dell'utensile.

Attaccare la guardia del tamburo della lama

1. Avvitare la guardia del tamburo della lama (19) al braccio di guardia (27) usando i due dadi da M6 x 10mm (33) e le due chiavi da 10 mm (1 x chiave inglese (28)) (Fig. VI)
2. Avvitare l'assemblaggio della guardia all'utensile tramite i fori di montaggio (4) utilizzando i due bulloni 13 x 20mm (36), 2 rondelle elastiche da 8 mm (29) e una chiave inglese da 12 mm (28) (Fig. VII)

Attaccare le maniglie di trasporto

1. Avvitare le maniglie (26) usando le viti esagonali M8 x 30 mm (34), le rondelle elastiche da 8 mm (29), le rondelle piatte da 8 mm (30) e la chiave esagonale da 6 mm (23) (Fig. VIII).

Estrazione della polvere

- Un'adeguata estrazione della polvere è essenziale per un luogo di lavoro sicuro; le fibre fini prodotte dalle operazioni di piallatura possono essere pericolose per la salute. Indossare sempre una maschera antipolvere quando si usa questa macchina.
- I dispositivi di estrazione della polvere esterni possono essere collegati all'utensile tramite la porta di estrazione della polvere (13)

Tavola di calibrazione

1. Posizionare una livella (non fornita) o simile, piatta sulla tavola per pezzi in uscita (1) sopra il tamburo della lama (2) (Cfr. Immagine A)
2. Ruotare la manopola di regolazione della profondità di taglio (7) in senso orario per alzare la tavola per pezzi in entrata (3) (diminuire la profondità di taglio) o in senso antiorario per abbassare la tavola (aumentare la profondità di taglio), allineando le tavole in entrata e in uscita per una lettura di 0 millimetri

Posizionamento della guida

⚠ **AVVERTENZA:** accertarsi SEMPRE che la piastra protettiva scorrevole (41) copra il tamburo della lama (2) sul retro della guida (15) quando la guida sporge sul tamburo della lama mentre è in funzione.

1. La guida (15) può essere regolata per adattarsi a pezzi di varie forme
2. La guida può essere regolata con angoli tra 45° verso l'interno e 45° verso l'esterno
3. Ci sono 3 posizioni di blocco che utilizzano arresti per 45° verso l'interno, 45° verso l'esterno e 90°
4. Per misurazioni precise utilizzare una squadra professionale per controllare l'angolo desiderato della guida

Impostazione della guida a 90 °

1. Posizionare l'assemblaggio della guida (15) sull'utensile e stringere la maniglia di blocco della guida scorrevole (21)
2. Allentare la maniglia di blocco dell'inclinazione della guida (20)
3. Far scorrere il blocco di arresto scorrevole (40) in posizione, sollevando la manopola di blocco, facendo scorrere il blocco verso la guida (Fig. IX)
4. Posizionare la guida in modo che il blocco di arresto sia in contatto con il magnete sul retro della guida stessa
5. Far scorrere la piastra protettiva scorrevole (41) sul tamburo della lama (2) esposto sul retro della guida
6. Una volta in posizione stringere la maniglia di blocco dell'inclinazione

Impostazione della guida a 45° verso l'interno

1. Posizionare l'assemblaggio della guida (15) sull'utensile e stringere la maniglia di blocco della guida scorrevole (21)
2. Allentare la maniglia di blocco dell'inclinazione della guida (20)
3. Rimuovere il blocco di arresto scorrevole (40) per evitare interferenze con il posizionamento della guida
4. Inclinare la parte superiore della guida verso l'interno fino a quando non entra in contatto con i ferma bulloni interni (39) (Fig. X)
5. Far scorrere la piastra protettiva scorrevole (41) sul tamburo della lama (2) esposto sul retro della guida
6. Stringere la maniglia di blocco dell'inclinazione della guida per bloccarne la posizione

Impostazione della recinzione a 45° verso l'esterno

1. Posizionare l'assemblaggio della guida (15) sull'utensile e stringere la maniglia di blocco della guida scorrevole (21)
2. Allentare la maniglia di bloccaggio dell'angolazione della guida (20)
3. Rimuovere il blocco di arresto scorrevole (40) per evitare interferenze con il posizionamento della guida
4. Inclinare verso l'esterno la parte superiore della guida finché non sia a contatto con i ferma bulloni esterni (38) (Fig. XI)
5. Far scorrere la piastra protettiva scorrevole (41) sul tamburo della lama (2) esposto sul retro della guida
6. Stringere la maniglia di blocco di angolazione della guida per bloccarne la posizione

Impostare l'allineamento della lama

⚠ **AVVERTENZA:** non toccare MAI il bordo tagliente della lama (45), è estremamente affilato.

Nota: le lame sono state regolate in fabbrica e non dovrebbero richiedere alcuna regolazione prima del primo utilizzo. Tuttavia, le lame potrebbero disallinearsi durante la spedizione e la manipolazione. Per un taglio accurato, devono sempre essere controllate prima dell'uso.

Controllo delle lame

1. Posizionare un bordo dritto sulla tavola di lavoro per pezzi in uscita (1), perpendicolare al tamburo della lama (2)
2. Rimuovere le viti del copricinghia e il copricinghia (5) usando la chiave esagonale da 4 mm (25) (Fig. XII)
3. Ruota il tamburo della lama usando la cinghia di trasmissione (49) (Fig. XIII)
4. La lama (45) dovrebbe semplicemente toccare il bordo dritto mentre il tamburo è in rotazione
5. Se la lama non entra in contatto con il bordo dritto o tira il bordo dritto in avanti, allora la lama dovrà essere regolata
6. Controllare l'altezza della lama su entrambe le estremità per vedere se è in piano

Allineare le lame

1. Ruotare il tamburo della lama (2) in modo che le quattro viti della lama (42) siano esposte
2. Allentare le quattro viti della lama usando la chiave esagonale da 4 mm (25) (Fig. XIV)
3. Ruotare il tamburo della lama in modo che le due viti di regolazione dell'allineamento della lama (44) siano esposte (Fig. XV)
4. Con un bordo dritto al di sopra del tamburo della lama sulla tavola di lavoro per pezzi in uscita (1), ruotare la vite di regolazione dell'allineamento della lama (45) fino a quando essa non entri in contatto con il bordo dritto quando il tamburo viene ruotato (Fig. XVIII)
5. Ripetere con la seconda vite di regolazione per assicurarsi che la lama sia completamente in piano
6. Una volta che la lama è allineata, stringere nuovamente le quattro viti della lama e ripetere il processo di allineamento sulla seconda lama

Trasporto

- Durante il trasporto o la conservazione dell'utensile, assicurarsi che la guardia del tamburo della lama sia posizionata in basso sopra la testa di taglio e che tutti i fermacavi e i blocchi di regolazione siano saldamente in posizione
- Utilizzare solo maniglie (26) per sollevare e trasportare l'utensile
- Se l'utensile è montata su un banco o un supporto, assicurarsi che i fissaggi siano stati rimossi e che la Piastratrice sia libera di muoversi
- Se l'utensile è montata su una superficie non fissa, assicurarsi che la tavola sia sbloccata dal banco di lavoro o dal supporto in modo che l'utensile sia libera di muoversi
- Durante lo spostamento o il trasporto dell'utensile mantenerla sempre dritta

Funzionamento

⚠ **AVVERTENZA:** quando si lavora con questo strumento, indossare SEMPRE una protezione per gli occhi, un'adeguata protezione per le vie respiratorie e l'udito, nonché guanti adatti.

⚠ **AVVERTENZA:** assicurarsi che l'utensile sia scollegato dall'alimentazione prima di collegare o cambiare accessori o apportare modifiche.

IMPORTANTE: ispezionare sempre l'utensile prima di ogni utilizzo. Prima di collegarla all'alimentazione di rete, ispezionare le protezioni e le corrette funzionalità di sicurezza dell'utensile.

IMPORTANTE: assicurarsi che l'operatore sia stato informato adeguatamente sul funzionamento, la regolazione e la manutenzione dell'utensile prima di collegarla alla rete elettrica e azionarla.

⚠ **AVVERTENZA:** assicurarsi SEMPRE che lo strumento sia scollegato dall'alimentazione di rete prima di regolare o modificare le parti dello strumento. Osservare la direzione di rotazione della lama e confrontarla con la direzione di rotazione corretta dell'utensile

Regolazione della profondità di taglio

⚠ **AVVERTENZA:** assicurarsi SEMPRE che l'utensile sia spento e disconnesso dall'alimentazione prima di tentare di regolare la profondità di taglio. Non regolare MAI la profondità di taglio quando lo strumento è in funzione.

IMPORTANTE: l'estensione di taglio di questo utensile è indicata nelle specifiche e deve essere rigorosamente rispettata.

1. Per regolare la profondità di taglio, ruotare la manopola di regolazione della profondità di taglio (7) in senso antiorario per aumentare la profondità di taglio e in senso orario per diminuire la profondità di taglio (Fig. XVI)
2. Ogni giro completo della manopola di regolazione della profondità di taglio aumenta o diminuisce la profondità del taglio di 0,75 mm
3. Per una misurazione accurata, eseguire un taglio di prova su un pezzo di legno di scarto e misurare

Accensione e spegnimento

2. Assicurarsi che il cavo di alimentazione (9) sia inserito nella presa di corrente prima di tentare di accendere lo strumento.
 - L'interruttore ON/OFF (6) si trova sulla parte anteriore dell'utensile
 - Per accendere l'utensile, premere il tasto verde 'I'
 - Per spegnere l'utensile, premere il pulsante rosso 'O'

Funzionamento della piallatrice

⚠ **AVVERTENZA:** quando si utilizza questo strumento, l'operatore deve sempre essere posizionato sul lato della superficie si supporto in entrata (3) e non deve sporgersi sul il tamburo della lama (2) in nessun caso durante il funzionamento dell'utensile.

⚠ **AVVERTENZA:** tenere mani e dita ad almeno 150 mm di distanza dal tamburo della lama. Quando si alimenta un pezzo in prossimità del tamburo della lama, utilizzare sempre uno spingipezzo (14) o un blocco spingipezzo (22).

⚠ **AVVERTENZA:** se il tamburo della lama si arresta durante il processo di taglio per qualsiasi motivo, disattivare immediatamente l'alimentazione. Non riavviare lo strumento se si trova a metà di un taglio e non tentare di eseguire tagli parziali sul pezzo.

⚠ **AVVERTENZA:** conservare sempre lo spingipezzo nella staffa per lo spingipezzo (10) in modo che sia facilmente accessibile l'utensile.

⚠ **AVVERTENZA:** questo utensile è stata progettata SOLO per l'uso con fibra di legno naturale asciutta. Non utilizzare mai metalli, plastica, materiali laminati, compensato MDF o altri prodotti sintetici con questa macchina. Non tentare la piallatura di materiale piegato se il contatto con la tavola di lavoro per pezzi in uscita.

⚠ **AVVERTENZA:** Assicurarsi SEMPRE che la piastra protettiva scorrevole (41) copra il tamburo della lama (2) fino alla parte posteriore della guida (15) quando la guida è posizionata sopra il tamburo della lama durante le operazioni.

IMPORTANTE: considerare sempre il tipo di legno e le condizioni del pezzo prima di iniziare a lavorare con questa macchina. Eseguire solo tagli superficiali su materiali più duri o materiali con superfici più ruvide.

Uso della guardia

⚠ **AVVERTENZA:** Non usare mai l'utensile senza la guardia appropriata in posizione o regolata correttamente.

Prima di eseguire un taglio, usare i regolatori sul braccio di guardia (27) per posizionare la guardia del tamburo della lama (19) per coprire qualsiasi parte del tamburo della lama (2) che rimane esposta quando il pezzo è in posizione - vedere immagini A - D.

Piallatura superficiale

Cfr. Immagine B.

- La piallatura superficiale viene eseguita per creare una superficie piana su un pezzo in lavorazione in preparazione della piallatura a spessore
1. Impostare l'altezza della tavola di lavoro per pezzi in uscita (3) sulla profondità di taglio desiderata

IMPORTANTE: quando si effettua una piallatura superficiale, creare solo tagli non profondi per evitare contraccolpi.

2. Imposta la guida (15) a 90 ° (vedi 'Posizionamento della guida')
3. Avvia l'utensile
4. Posizionare saldamente il pezzo contro la tavola di lavoro per pezzi in uscita (3) e la guida
5. Posizionare la guardia (19) - vedi 'Uso della guardia'
6. Alimentare completamente il pezzo attraverso la fresa mantenendo una pressione stabile contro la guida e le due superfici durante l'intero processo di taglio
7. Ripetere se necessario fino al raggiungimento della finitura desiderata

Giunzione dei bordi

Cfr. Immagine C

- La giuntura del bordo viene eseguita per produrre una superficie piatta lungo un lato del pezzo. Questa operazione è fondamentale durante la creazione di supporti squadrati o per la preparazione di un pezzo da lavorare per la finitura e la giuntura

1. Impostare l'altezza della tavola di lavoro per pezzi in uscita (3) sulla profondità di taglio desiderata

IMPORTANTE: quando si lavora alla giunzione dei bordi, effettuare solo tagli superficiali per evitare contraccolpi.

2. Imposta la guida (15) a 90° (vedi 'Posizionamento della guida')
3. Avviare l'utensile
4. Posizionare saldamente il pezzo contro la tavola di lavoro per pezzi in uscita (3) e la guida
5. Posizionare la guardia (19) - vedi 'Uso della guardia'
6. Alimentare completamente il pezzo attraverso la fresa mantenendo una pressione stabile contro la guida e le due superfici durante l'intero processo di taglio
7. Ripetere se necessario fino al raggiungimento della finitura desiderata

Taglio inclinato

Cfr. Immagine D.

- I tagli inclinati sono tagli angolari e possono essere creati posizionando la guida (15) all'angolo desiderato e alimentando il pezzo lungo la guida. Questo processo richiede solitamente diverse passate o tagli per produrre la finitura desiderata

1. Impostare l'altezza della tavola di lavoro per pezzi in uscita (3) sulla profondità di taglio desiderata

IMPORTANTE: quando si effettuano tagli inclinati, tagliare in modo superficiale per evitare contraccolpi.

2. Imposta la guida sull'angolo di taglio desiderato (vedi 'Posizionamento del recinto')
3. Posizionare il pezzo in lavorazione contro la superficie di supporto del pezzo in entrata e la guida, con il lato concavo verso il basso
4. Avviare l'utensile
5. Posizionare la guardia (19) - vedi 'Uso della guardia'
6. Mantenere la pressione sul pezzo in lavorazione contro la guida e le superfici con lo spingipezzo (22) principale e alimentare il pezzo con il secondo spingipezzo
7. Ripetere fino al raggiungimento della finitura desiderata

Accessori

- Una gamma di accessori e materiali di consumo, tra cui maschere per il viso, aspirapolvere e guanti resistenti al taglio, è disponibile presso il proprio rivenditore Triton
- I pezzi di ricambio possono essere ordinati su toolsparesonline.com

Manutenzione

⚠ AVVERTENZA: assicurarsi che lo strumento sia scollegato dall'alimentazione prima di collegare o cambiare accessori o apportare modifiche.

⚠ AVVERTENZA: indossare SEMPRE guanti antitaglio adatti quando si maneggia il tamburo della lama (2) e i suoi sotto componenti.

- Questo strumento è realizzato utilizzando componenti di classe leader e si avvale dei più recenti circuiti intelligenti che proteggono lo strumento e i suoi componenti. Nell'uso normale dovrebbe fornire una lunga vita lavorativa

- Parti di questo strumento che possono essere sostituite dall'utente includono:

- I. Lama
- II. Cinghia di trasmissione
- III. Cinghia ausiliaria

Nota: le istruzioni per la manutenzione di questi articoli sono fornite in questa sezione del manuale.

Ispezione generale

- Controllare regolarmente che tutte le viti di fissaggio siano ben salde
- Prima di ogni utilizzo, controllare che il cavo di alimentazione non presenti danni o segni di usura. Le riparazioni devono essere eseguite da un centro assistenza autorizzato Triton. Questo consiglio vale anche per le prolunghe utilizzate con questo utensile
- Se si è incerti su come eseguire una delle seguenti procedure di manutenzione NON tentare, ma fare eseguire la manutenzione da un centro di assistenza Triton autorizzato

Pulizia

⚠ AVVERTENZA: accertarsi che, durante la pulizia o la rimozione dei blocchi dall'attrezzo, l'utensile sia scollegato dall'alimentazione di rete e sia spento. Indossare sempre guanti antitaglio mentre si eseguono le procedure di pulizia e sblocco poiché lo strumento contiene superfici e componenti taglienti.

- Mantenere l'utensile sempre pulito. Lo sporco e la polvere potrebbero logorare velocemente le parti interne e ridurre la durata di vita della macchina. Pulire il corpo della macchina con una spazzola morbida o un panno asciutto. Ove possibile, usare aria pulita, secca e compressa tramite i fori di ventilazione
- Dopo l'uso, aspirare la piallatrice per rimuovere trucioli di legno, segatura e detriti
- Rimuovere segatura, trucioli di legno e grasso dalla cinghia, dagli ingranaggi e dalle parti mobili
- Pulire il corpo dell'utensile con un panno morbido inumidito con un detergente delicato. Non usare alcol, benzina o detergenti aggressivi
- Non utilizzare mai agenti caustici per pulire le parti in plastica

Sostituzione della lama

⚠ **AVVERTENZA:** indossare SEMPRE guanti antitaglio quando si maneggiano le lame (45).

IMPORTANTE: utilizzare solo lame appositamente progettate per questo utensile.

1. Rimuovere il copricinghia (5) usando la chiave esagonale da 4 mm (25) (Fig. XII)
2. Ruotare il tamburo della lama in modo che le quattro viti della lama (42) siano esposte
3. Rimuovere le quattro viti della lama (Fig. XIV)
4. Rimuovere con cautela il morsetto della lama (43) e la lama
5. Sostituire la lama posizionandola sulle viti di regolazione dell'allineamento della lama (44) (Fig. XVII)
6. Inserire le viti della lama e riallineare la lama (vedi "Allineamento delle lame")
7. Ripetere con la sostituzione della seconda cinghia

Sostituzione della cinghia

Sostituzione della cinghia ausiliaria

1. Posizionare l'utensile a terra o sul banco di lavoro in modo che la base dello strumento sia accessibile
2. Svitare e rimuovere il coperchio inferiore
3. Allentare ma non rimuovere le due viti esagonali dell'unità di estrazione della polvere (47) in modo che l'unità di estrazione della polvere possa spostarsi da un lato all'altro
4. Sostituire la cinghia ausiliaria (48)
5. Tendere la cinghia e serrare nuovamente le viti esagonali
6. Rimontare il coperchio inferiore

Sostituzione della cinghia di trasmissione

1. Posizionare l'utensile a terra o sul banco di lavoro in modo che la base dell'utensile sia accessibile
2. Svitare e rimuovere il coperchio inferiore
3. Rimuovere la cinghia ausiliaria (48) (vedere 'Sostituzione della cinghia ausiliaria')
4. Allentare ma non rimuovere le quattro viti esagonali dell'unità motore (46) in modo che l'unità motore possa scorrere da un lato all'altro
5. Rimuovere la cinghia di trasmissione (49)
6. Sostituire la cinghia di trasmissione
7. Tendere la cinghia e serrare nuovamente le viti esagonali
8. Rimontare la cinghia ausiliaria e il coperchio inferiore

Lubrificazione

- Lubrificare leggermente tutte le parti mobili ad intervalli regolari con un lubrificante spray adatto
- I cuscinetti delle unità motore e testa di taglio sono sigillati in fabbrica e non richiedono ulteriore lubrificazione
- Componenti che richiedono una lubrificazione regolare:
 - o Filettatura della manopola di regolazione della profondità di taglio
 - o Staffa scorrevole della guida
 - o Manopola di blocco dell'inclinazione della guida
 - o Manopola di blocco della guida scorrevole
 - o Meccanismo di regolazione della guardia
- Rimuovere eventuali residui di grasso dagli altri componenti, utilizzando eventualmente acqua ragia minerale, quindi applicare una mano di grasso multiuso leggero (non incluso)
- I piani di lavoro possono essere rivestiti con uno strato molto sottile di cera lubrificante (non inclusa) per proteggere la superficie dalla ruggine e facilitare l'alimentazione dei pezzi di lavoro durante il funzionamento

Spazzole

Nel corso del tempo le spazzole di carbone all'interno del motore si potrebbero usurare. Delle spazzole eccessivamente usurate possono causare perdita di corrente, funzionamento a intermittenza o scintille visibili a occhio nudo.

Se si sospetta che le spazzole possano essere usurate, farle sostituire presso un centro di servizi autorizzato Triton.

Conservazione

- Conservare questo utensile con cura in un luogo sicuro, asciutto e lontano dalla portata dei bambini

Contatti

Per consigli tecnici e per eventuali riparazioni, si prega di contattare il nostro servizio di assistenza telefonico al numero (+44) 1935 382 222

Pagina web: www.tritontools.com

Indirizzo (RU):

Toolstream Ltd.
Boundary Way
Lufton Trading Estate
Yeovil, Somerset
BA22 8HZ, Regno Unito

Indirizzo (UE):

Toolstream B.V.
Hogeweg 39
5301 LJ Zaltbommel
Paesi Bassi

Smaltimento

Rispettare sempre le normative nazionali per lo smaltimento di elettrodomestici che non sono più funzionali e non sono atti alla riparazione.

- Non gettare utensili elettrici o apparecchiature elettriche ed elettroniche (RAEE) con i rifiuti domestici
- Contattare l'autorità locale di smaltimento rifiuti per informazioni sul modo corretto di smaltire gli utensili elettrici

Risoluzione dei problemi

Problema	Possibile Causa	Soluzione
Nessuna funzione quando viene azionato l'interruttore ON / OFF (6)	Assenza di alimentazione	Controllare l'alimentazione
	Interruttore ON/OFF difettoso	Far sostituire l'interruttore ON/OFF in un centro di assistenza Triton autorizzato
Il motore non si avvia	Spazzole di carbone consumate	Le spazzole devono essere sostituite
Scarsa qualità di finitura superficiale dopo la piallatura	La profondità di taglio scelta è troppo grande	Ridurre la profondità di taglio e lavorare invece su più passate
	Lame smussate (45)	Girare o sostituire le lame (vedere 'Sostituzione delle lame')
	Il legno è umido	Spegni immediatamente l'utensile. Valutare e correggere il posizionamento della lama (vedere 'Sostituzione della lama')
Cilindro non rotante	La cinghia di trasmissione è rotta (49)	Riferirsi a "Sostituzione della cinghia di trasmissione" e sostituire la cinghia
Vibrazioni e rumori anomali	ARRESTARE immediatamente lo strumento	Ricontrollare che tutte le parti accessibili siano correttamente montate e bloccate
		Rivolgersi ad un centro di assistenza autorizzata Triton

Garanzia

Per la registrazione della garanzia visitare il sito web tritontools.com* e inserire i propri dettagli.

Informazioni sull'acquisto

Data di acquisto: ___/___/___

Modello N.: TSPL152

Conservare lo scontrino come prova dell'acquisto

Triton Precision Power Tools garantisce all'acquirente di questo prodotto che, se qualsiasi parte dovesse presentare difetti di materiale o di fabbricazione entro 3 ANNI dalla data di acquisto originale, Triton riparerà o sostituirà, a sua discrezione, la parte difettosa gratuitamente.

Questa garanzia non si applica ad uso commerciale né si estende alla normale usura o a danni a seguito di incidenti, abuso o uso improprio dell'utensile.

Registra il tuo prodotto on-line entro 30 giorni dall'acquisto.

Vengono applicati i termini e le condizioni generali.

Ciò non pregiudica i tuoi diritti legali

Traducción del manual original

Introducción

Gracias por haber elegido esta herramienta Triton. Estas instrucciones contienen la información necesaria para utilizar este producto de forma segura y eficaz. Lea atentamente este manual para obtener todas las ventajas y características únicas de su nueva herramienta. Conserve este manual a mano y asegúrese de que todas las personas que utilicen esta herramienta lo hayan leído y entendido correctamente. Guarde estas instrucciones con el producto para poder consultarlas en el futuro.

Descripción de los símbolos

Los siguientes símbolos pueden aparecer en la placa de características de su producto. Estos símbolos representan información importante sobre el producto o instrucciones relativas a su uso.



Lleve protección auditiva
Lleve protección ocular
Lleve protección respiratoria
Lleve un casco de seguridad



Lleve guantes de seguridad



Lea el manual de instrucciones



No utilizar en ambientes húmedos o bajo la lluvia



Desconecte siempre la herramienta de la toma eléctrica antes de realizar cualquier tarea de mantenimiento, sustituir accesorios o cuando no la esté utilizando.



ADVERTENCIA: Los mecanismos móviles de esta herramienta pueden causar cortes y lesiones personales.



Nunca toque el disco/cuchilla cuando la herramienta esté enchufada en la toma de corriente. Asegúrese de que el disco/cuchilla se haya detenido completamente.



ADVERTENCIA: LEVANTAMIENTO DE CARGAS PESADAS. Riesgo de lesiones.

Solicite asistencia para levantar o mover este producto.

ADVERTENCIA: Producto pesado. Se necesitan más de una persona para montar esta herramienta.



Protección de clase I (protección a tierra)



Protección medioambiental

Los productos eléctricos usados no se deben mezclar con la basura convencional. Están sujetos al principio de recogida selectiva. Solicite información a su ayuntamiento o distribuidor sobre las opciones de reciclaje.



Conforme a las normas de seguridad y la legislación correspondiente.



¡Peligro!



Tenga precaución – ¡Peligro de contragolpe!



¡Solamente para uso interior!



Se recomienda/necesita utilizar un dispositivo de extracción de polvo

Abreviaturas de términos técnicos

V	Voltio/s
~	Corriente alterna
A, mA	Amperio/s, miliamperio/s
n_0	Velocidad sin carga
Nm	Newton metro (par de apriete)
psi	Libra por pulgada cuadrada
°	Grados
Hz	Hercio/s
W, kW	Vatio/s, kilovatio/s
min ⁻¹	(revoluciones/oscilaciones) por minuto
dB(A)	Nivel de decibelios (ponderada A)

Características técnicas

Modelo:	TSPL152
Tensión:	220 – 240 V~, 50/60 Hz
Potencia:	1100 W
Capacidad del fusible del enchufe (solo Reino Unido):	13 A
Velocidad sin carga:	8.000 min ⁻¹
Profundidad máxima de corte:	0 - 3,2 mm
Ancho de corte:	0 – 152,4 mm
Dimensiones de la mesa:	771 x 250 mm
Ángulos de ajuste de la guía:	45 - 135°
Diámetro de la salida de extracción de polvo:	Interno: 50 mm Externo: 60 mm
Clase de protección:	
Grado de protección:	IP20
Longitud del cable de alimentación:	2 m
Dimensiones (L x An x A):	965 x 505 x 315 mm
Peso:	25,4 kg
Como parte de nuestra política de desarrollo de productos, los datos técnicos de los productos Triton pueden cambiar sin previo aviso.	
Información sobre ruido y vibración:	
Presión acústica L_{PA}:	94,3 dB(A)
Potencia acústica L_{WA}:	107,3 dB(A)
Incertidumbre K:	3 dB(A)

El nivel de intensidad sonora para el usuario puede exceder de 85 dB(A). Se recomienda usar medidas de protección sonora.

⚠ ADVERTENCIA: Utilice siempre protección auditiva cuando el nivel ruido exceda 85 dB(A) o cuando esté expuesto durante largos periodos de tiempo. Si por algún motivo nota algún tipo de molestia auditiva incluso llevando orejeras de protección, detenga inmediatamente la herramienta y compruebe que las orejeras de protección estén colocadas adecuadamente.

⚠ ADVERTENCIA: La exposición a la vibración durante la utilización de una herramienta puede provocar pérdida del sentido del tacto, entumecimiento, hormigueo y disminución de la capacidad de sujeción. La exposición durante largos periodos de tiempo puede provocar enfermedad crónica. Si es necesario, limite el tiempo de exposición a la vibración y utilice guantes anti-vibración. No utilice la herramienta cuando sus manos estén muy frías, las vibraciones tendrán un mayor efecto. Utilice los datos técnicos de su herramienta para evaluar la exposición y medición de los niveles de ruido y vibración.

⚠ ADVERTENCIA: Las vibraciones producidas durante el uso de esta herramienta pueden ser diferentes al valor total declarado y pueden variar dependiendo del tipo de método de uso de esta herramienta. Por lo tanto, será necesario aplicar todas las medidas de seguridad apropiadas para proteger al usuario durante el uso de esta herramienta. Habrá que tener en cuenta todos los aspectos relacionados con el ciclo de trabajo (apagado de la herramienta, funcionamiento sin carga y tiempo de accionamiento).

El nivel total de vibraciones producidas ha sido medido mediante un proceso estándar y podrá evaluarse tomando como referencia los datos de emisión comparativos de máquinas similares. El nivel de vibración total también podrá utilizarse en una evaluación de exposición previa.

Los niveles de vibración y ruido están determinados según las directivas internacionales vigentes. Los datos técnicos se refieren al uso normal de la herramienta en condiciones normales. Una herramienta defectuosa, mal montada o desgastada puede incrementar los niveles de ruido y vibración. Para más información sobre ruido y vibración, puede visitar la página web www.osha.europa.eu

Instrucciones de seguridad para herramientas eléctricas

⚠ ADVERTENCIA: Lea siempre cuidadosamente todas las advertencias e instrucciones seguridad para utilizar este producto de forma segura. No seguir estas instrucciones podría causar una descarga eléctrica, incendio y/o lesiones graves. Guarde estas instrucciones con la herramienta para poderlas consultar en el futuro.

⚠ ADVERTENCIA: Esta herramienta no ha sido diseñada para ser utilizada por niños o personas discapacitadas salvo que estén bajo la supervisión de una persona responsable que garantice la seguridad durante el uso del aparato. Se recomienda vigilar a los niños para que no jueguen con esta herramienta.

PRECAUCIÓN: Utilice la herramienta eléctrica y los accesorios siguiendo siempre las instrucciones suministradas por el fabricante. El uso de cualquier accesorio diferente a los mencionados en este manual podría ocasionar daños o lesiones graves.

El término "herramienta eléctrica" descrito en este manual se refiere a una herramienta alimentada por conexión eléctrica mediante cable (herramienta alámbrica) o una herramienta eléctrica alimentada por batería (herramienta inalámbrica).

1. Mantenga el área de trabajo limpia y bien iluminada.

Las áreas de trabajo desordenadas y oscuras son peligrosas y pueden provocar un accidente.

2. Entorno de trabajo adecuado.

No utilice esta herramienta bajo la lluvia.

No utilice esta herramienta en áreas húmedas o mojadas.

Mantenga el área bien iluminada.

No utilice esta herramienta en áreas con gases o líquidos inflamables.

3. Descargas eléctricas. Evite el contacto con superficies puestas a tierra tales como tuberías, radiadores, estufas y refrigeradores.

4. Mantenga alejadas a otras personas. Mantenga alejados a los niños y personas que se encuentren a su alrededor mientras esté trabajando con una herramienta eléctrica.

5. Almacenaje. Guarde siempre las herramientas eléctricas en un lugar seco fuera del alcance de los niños.

6. No fuerce la herramienta. La herramienta correcta funcionará mejor y con más seguridad a la velocidad para la que se ha diseñado.

7. Utilice las herramientas y accesorios adecuados. No intente realizar un trabajo con una herramienta o accesorio que no sea adecuado.

8. Vístase adecuadamente.

No lleve ropa holgada ni joyas.

Lleve calzado antideslizante

Mantenga el pelo recogido.

9. Use equipo de protección personal.

Utilice siempre protección ocular.

Use máscara de protección anti-polvo.

⚠ ADVERTENCIA: No utilizar el equipo de protección adecuado puede provocar lesiones graves.

10. Extracción de polvo. Utilice siempre un sistema de extracción de polvo/aspiradora y asegúrese de utilizarlos de manera apropiada.

11. No doble el cable de alimentación. No use nunca el cable de alimentación para transportar la herramienta eléctrica, tirar de ella o desenchufarla. Mantenga el cable de alimentación alejado de fuentes de calor, del aceite, de los bordes afilados o piezas móviles.

12. Sujete las piezas de trabajo. Utilice siempre abrazaderas o un tornillo de banco para sujetar la pieza de trabajo.

13. No adopte posturas forzadas. Colóquese en posición firme y mantenga el equilibrio en todo momento

14. Mantenimiento de las herramientas.

Las herramientas de corte deben estar siempre afiladas y limpias. Las herramientas de corte correctamente afiladas son menos propensas a trabarse y son más fáciles de controlar.

Lubrique las piezas y accesorios necesarios.

Inspeccione el cable de alimentación periódicamente. En caso de estar dañado, contacte con un servicio técnico autorizado para su reparación.

Inspeccione los cables de extensión regularmente y repárelos si están dañados.

Mantenga siempre las empuñaduras limpias de grasa y aceite.

⚠ ADVERTENCIA: Muchos accidentes son causados por herramientas eléctricas que carecen de un mantenimiento adecuado.

15. Desenchufe la herramienta. Desconecte la herramienta eléctrica antes de instalar accesorios (brocas, fresas, disco de corte) o realizar cualquier tarea de mantenimiento.

⚠ ADVERTENCIA: Utilice sólo accesorios y piezas recomendadas por el fabricante.

16. Retire todas las llaves de ajuste. Retire siempre todas las llaves de ajuste antes de encender y utilizar la herramienta.

17. Encendido accidental. Asegúrese de que el interruptor esté en la posición de apagado antes de enchufar la herramienta.

⚠ ADVERTENCIA: El encendido accidental puede causar lesiones graves.

18. Cables de extensión para exteriores. Cuando utilice una herramienta eléctrica en el exterior, use un cable de extensión adecuado para uso en exteriores. La utilización de un cable adecuado para exteriores reduce el riesgo de descargas eléctricas.

19. Manténgase alerta.

Fíjese en lo que está haciendo y use el sentido común cuando esté utilizando una herramienta eléctrica.

No use una herramienta eléctrica cuando esté cansado o bajo la influencia de drogas, alcohol o medicamentos.

⚠ ADVERTENCIA: Distraerse mientras esté utilizando una herramienta eléctrica puede provocar lesiones corporales graves.

20. Piezas en mal estado.

Compruebe que su herramienta funcione correctamente antes de utilizarla.

Asegúrese de que no haya piezas en movimiento desalineadas o trabadas, piezas rotas o cualquier otro problema que pueda afectar al funcionamiento de la herramienta.

Algunas de las piezas (ej. protector) deben ser reparadas solamente por un servicio técnico autorizado.

Los enchufes dañados deben repararse únicamente por un servicio técnico autorizado.

⚠ ADVERTENCIA: No utilice la herramienta si el botón de encendido/apagado no funciona correctamente. Repárelo en un servicio técnico autorizado.

21. **Reparación de su herramienta.** Lleve siempre su herramienta eléctrica a un servicio técnico cualificado. No seguir estas instrucciones podría provocar lesiones graves e invalidar la garantía.

⚠ **ADVERTENCIA:** Utilice únicamente piezas de recambio idénticas.

⚠ **ADVERTENCIA:** Si el cable de alimentación está dañado, deberá repararlo en un servicio técnico autorizado.

22. **El enchufe de su herramienta eléctrica debe coincidir con la toma de corriente.** Nunca realice ningún tipo de modificación en el enchufe. No utilice adaptadores de enchufe sin toma de tierra. No modifique los enchufes y tomas de corriente para reducir el riesgo de descargas eléctricas.

23. **Si es inevitable trabajar con una herramienta eléctrica en lugares húmedos, use un suministro protegido por un interruptor diferencial o disyuntor por corriente diferencial o residual (RCD).** El uso de un RCD reduce el riesgo de descargas eléctricas.

NOTA: El término "Dispositivo de protección de corriente diferencial residual" puede ser reemplazado por "Interruptor del circuito de fuga a tierra" o "Interruptor de cortocircuito de fuga a tierra".

24. **Cuando utilice esta herramienta en Australia o Nueva Zelanda, se recomienda conectar esta herramienta a tomas de corriente protegida con dispositivo de protección de corriente diferencial residual de 30 mA o inferior.**

25. **Utilice un cable alargador adecuado. Asegúrese de que el cable alargador este en perfectas condiciones.** Asegúrese de que el cable sea lo suficientemente resistente para el nivel de corriente requerido. Un cable más fino disminuirá la tensión de corriente y provocará la pérdida de potencia y sobrecalentamiento de la herramienta.

26. **Nunca deje la herramienta desatendida.** Apague siempre la herramienta. Asegúrese de que la herramienta se haya detenido completamente antes de dejarla desatendida.

Incluso cuando se esté utilizando según lo prescrito, no es posible eliminar todos los factores de riesgo residuales. Utilice esta herramienta con precaución. Si tiene alguna duda sobre el funcionamiento de esta herramienta, no la utilice.

⚠ **ADVERTENCIA:** Antes de conectar esta herramienta a la toma de corriente, asegúrese de que la tensión eléctrica sea la misma que el especificada en la placa de datos de esta herramienta. Nunca conecte esta herramienta a una toma de corriente con una tensión incompatible, podría dañar la herramienta y provocar lesiones al usuario. En caso de duda, no enchufe la herramienta. Utilizar una toma de corriente con un voltaje inferior al valor nominal indicado en la placa de datos podría dañar el motor.

Instrucciones de seguridad para herramientas de corte

⚠ **ADVERTENCIA:** Antes de conectar esta herramienta a la toma de corriente, asegúrese de que la tensión eléctrica sea la misma que el especificada en la placa de datos de esta herramienta. Nunca conecte esta herramienta a una toma de corriente con una tensión incompatible, podría dañar la herramienta y provocar lesiones al usuario. En caso de duda, no enchufe la herramienta. Utilizar una toma de corriente con un voltaje inferior al valor nominal indicado en la placa de datos podría dañar el motor.

Uso adecuado de la herramienta de corte

- Asegúrese de que la herramienta de corte sea la adecuada para el trabajo a realizar. No utilice esta herramienta sin haber leído antes toda la documentación suministrada con el producto.

Protección ocular

- Lleve siempre protección ocular adecuada cuando utilice herramientas de corte.
- Las gafas convencionales no están diseñadas para usar con esta herramienta. Este tipo de gafas no son resistentes a los impactos, usarlas podría causarle lesiones graves.

Protección auditiva

- Utilice siempre protección acústica adecuada cuando el ruido producido por la herramienta supere los 85 dB(A).

Protección respiratoria

- Asegúrese de que el usuario, así como las personas de su alrededor, utilicen siempre mascarillas adecuadas contra el polvo.

Protéjase las manos

- Nunca coloque sus manos cerca de la cuchilla o accesorio de corte. Utilice siempre empujadores cuando vaya a cortar piezas de trabajo pequeñas.

Personas cercanas a la zona de trabajo

- Es responsabilidad del usuario asegurarse de que las personas cercanas al área de trabajo no estén expuestas al ruido o al polvo excesivo. Asegúrese de que todas las personas que se encuentren cerca del área de trabajo lleven equipo de protección adecuado.

Objetos ocultos

- Inspeccione el material a cortar y asegúrese de que no hay objetos ocultos (clavos, etc.) antes de empezar a cortar.
- Nunca corte piezas de trabajo que puedan tener objetos ocultos, excepto cuando el accesorio de corte utilizado en la herramienta sea adecuado para ello.
- En las paredes puede haber cables y tuberías ocultos, los paneles de la carrocería de los vehículos pueden esconder tubos de combustible. La hierba crecida puede haber piedras y trozos de cristal. Inspeccione siempre a fondo la zona de trabajo antes de empezar a cortar.

Material despedido de forma inesperada

- En algunas situaciones, el material puede salir despedido de la herramienta de corte a gran velocidad. Asegúrese de que no haya personas cerca de la zona de trabajo. Es responsabilidad del usuario asegurarse de las personas cercanas al área de trabajo lleven siempre quipo de protección adecuado.

Instalación de los accesorios de corte

- Asegúrese de que los accesorios de corte estén instalados correctamente y retire todas las llaves de ajuste antes de comenzar a cortar.
- Utilice solo accesorios de corte recomendados para su herramienta.
- No intente modificar los accesorios de corte.
- Asegúrese de que las hojas/cuchillas estén afiladas y colocadas firmemente.
- Nunca intente afilar cuchillas que no estén diseñadas para volver a afilarse, incluido hojas/cuchillas fabricadas en aleaciones endurecidas con carburo de tungsteno.
- Utilice solamente cuchillas compatibles con esta herramienta.
- Afile la hoja/cuchilla de acuerdo con las indicaciones del fabricante, incluido el número de veces que se puedan afilar.
- Inspeccione siempre las hojas/cuchillas recién afiladas antes de utilizarlas. Sustitúyala si es necesario.
- Sustituya inmediatamente la hoja/cuchilla si esta queda atrapada por un objeto durante el corte.

Dirección de corte

- Introduzca siempre la pieza de trabajo hacia la cuchilla en sentido contrario al movimiento de la cuchilla.

Piezas calientes

- Recuerde que el accesorio de corte y la pieza de trabajo puede calentarse excesivamente durante el uso de esta herramienta. Nunca sustituya los accesorios hasta que se hayan enfriado completamente.

Polvo y residuos

- No deje que se acumule el polvo o las virutas en la zona de trabajo. El aserrín supone un riesgo de incendio y algunas virutas metálicas pueden provocar explosiones.
- Tenga mucha precaución cuando corte madera y metal. Las chispas que produce el corte de metal son causa habitual de incendios producidos donde hay serrín.
- Utilice un sistema de extracción de polvo/aspiradora para mantener un entorno de trabajo limpio y seguro.

Instrucciones de seguridad para cepillos de banco

⚠ **ADVERTENCIA:** Nunca utilice la herramienta sin la protección adecuada en su lugar o ajustada correctamente.

⚠ **ADVERTENCIA:** Cualquier parte del mecanismo de corte que no se utilice para cepillar deberá estar protegida.

⚠ **ADVERTENCIA:** Cuando se cepillan piezas de trabajo estrechas, pueden ser necesarias medidas adicionales, como el uso de dispositivos o empujadores horizontales, para garantizar un trabajo seguro.

⚠ **ADVERTENCIA:** Los cepillos eléctricos no deben utilizarse para cortar rebajes, ranuras, espigas o moldes.

- **Utilice siempre protección respiratoria:** Uso de esta herramienta puede generar polvo que contiene productos químicos que pueden provocar cáncer, defectos congénitos y otros daños reproductivos. Algunos tipos de maderas contienen conservantes altamente tóxicos como el arseniato de cobre cromado (CCA). Tenga especialmente precaución al lijar, perforar o cortar este tipo de materiales. Evite la inhalación y el contacto directo con la piel.

- **Utilice solo cuchillas afiladas.** Manipule las cuchillas con mucha precaución.

⚠ **ADVERTENCIA:** No utilice cuchillas desgastadas, ya que esto aumentará el riesgo de contragolpe.

- **Asegúrese de objetos tales como cuerdas, trapos y bayetas estén fuera del área de trabajo para evitar que se puedan quedar atascados en el mecanismo del cepillo de banco.**

- **Asegúrese de que la herramienta alcance su velocidad máxima antes de comenzar la tarea.**

- **Desconecte siempre la herramienta y deje que las cuchillas se detengan completamente antes de sustituir un accesorio o realizar cualquier tarea de mantenimiento.**

- **Sustituya todas las cuchillas al mismo tiempo, de lo contrario no obtendrá un buen funcionamiento y podría dañar la herramienta.**

- **Utilice esta herramienta para el propósito para el cual ha sido diseñada.** Nunca realice cortes que no hayan sido recomendados por el fabricante. No está permitido realizar de cortes con pausas, ranuras, espigas o moldes con esta herramienta.

- **Nunca utilice esta herramienta si no está sujeta sobre una superficie estable.** El cepillo de banco debe estar sujeto de forma correcta para evitar que se pueda mover durante el funcionamiento y se produzcan accidentes.

- **Mantenga siempre un empujador cerca de la mesa de entrada.** Utilice un empujador para introducir el material cuando sus manos estén demasiado cerca de la cuchilla y cuando el grosor de la pieza de trabajo sea inferior a 75 mm.

- **No intente cepillar material mal curvado si el contacto con la mesa de entrada es inadecuado.**

- **Cuando transporte la herramienta, asegúrese de que se utilicen sus asas de transporte (no el asa/empuñadura de trabajo) y de que todos los mecanismos de bloqueo y protección estén colocados de forma segura.**

Prevención contra el contragolpe

Nota: El contragolpe es una reacción repentina causada por una hoja apresada, atascada o mal alineada, que hace que la sierra se levante de manera incontrolada dirigiendo la pieza de trabajo bruscamente hacia el operario. En algunas ocasiones el contragolpe puede dirigir la mano del usuario hacia la hoja y provocar lesiones graves.

⚠ **ADVERTENCIA:** El contragolpe es el resultado de un uso incorrecto de la sierra y se puede evitar o controlar si toma las precauciones apropiadas de la siguiente manera:

- a) **NUNCA intente realizar un corte con una hoja dañada o desgastada.** Asegúrese SIEMPRE que el disco de corte sea adecuado para el material que vaya a cortar.
- b) **Asegúrese SIEMPRE que la guía de corte/mesa esté colocada paralelamente a la hoja.** Si la guía se mueve hacia la hoja, la pieza de trabajo podría entrar en contacto con la parte posterior de la hoja.
- c) **Tenga PRECAUCIÓN al cortar paneles de madera de gran tamaño.** Asegúrese de apoyar la pieza de trabajo utilizando soportes adecuados.
- d) **NO corte piezas de trabajo con forma redondas o que no puedan colocarse de forma plana.** Evite siempre cortar piezas de madera con formas deformadas e irregulares.
- e) **NUNCA corte madera mojada ya que se producirá fricción en dirección opuesta al sentido de la hoja.** Los restos de aserrín y polvo acumulados en la hoja incrementarán el riesgo de que se produzca un contragolpe.
- f) **Agarre SIEMPRE firmemente la pieza de trabajo con ambas manos y coloque sus brazos de forma que pueda contrarrestar el movimiento brusco producido en caso de contragolpe.**
- g) **Colóquese siempre en uno de los lados de la hoja. Nunca se coloque frente a la hoja.**
- h) **NUNCA retire la pieza de trabajo durante un corte.** En caso de interrupción durante el corte, apague y desenchufe la sierra y retire la pieza de trabajo una vez se haya detenido completamente la hoja.
- i) **Utilice SIEMPRE empujadores para guiar la pieza de trabajo durante el corte.** Utilice empujadores para sujetar la pieza de forma segura.

- 22. Bloques empujadores
- 23. Llave hexagonal 6 mm
- 24. Llave hexagonal 5 mm
- 25. Llave hexagonal 4 mm
- 26. Asas de transporte
- 27. Brazo del protector
- 28. Llave (10 x 12 mm)
- 29. Arandela elástica 8 mm
- 30. Arandela plana 8 mm
- 31. Espaciador 10 mm
- 32. Arandela elástica 6 mm
- 33. Tuerca M6 x 10 mm
- 34. Tornillo hexagonal M8 x 30 mm
- 35. Tornillo hexagonal M8 x 20 mm
- 36. Perno 13 x 20 mm
- 37. Tornillo hexagonal M6 x 25 mm
- 38. Perno tope exterior
- 39. Perno tope interior
- 40. Tope para el mecanismo deslizante
- 41. Placa de protección del mecanismo deslizante
- 42. Tornillo para la cuchilla
- 43. Abrazadera para la cuchilla
- 44. Tornillo para alinear la cuchilla
- 45. Cuchilla
- 46. Tornillos hexagonales del motor
- 47. Tornillos hexagonales de la salida de extracción de polvo
- 48. Correa auxiliar
- 49. Correa de transmission

Características del producto

- 1. Mesa de salida
- 2. Tambor de la cuchilla
- 3. Mesa de entrada
- 4. Orificio de montaje del protector de la cuchilla
- 5. Tapa de la correa de transmisión
- 6. Interruptor de encendido/apagado
- 7. Perilla de ajuste de profundidad de corte
- 8. Orificio para montaje en un banco de trabajo
- 9. Cable de alimentación
- 10. Soporte para el empujador
- 11. Soporte para la abrazadera de la guía
- 12. Patas de goma
- 13. Salida de extracción de polvo
- 14. Empujador
- 15. Guía de corte
- 16. Soporte de montaje para la guía
- 17. Tope de bloqueo para la guía
- 18. Soporte para la guía deslizante
- 19. Protector del tambor de la cuchilla
- 20. Empuñadura para bloqueo del ángulo de la guía
- 21. Empuñadura para bloqueo de la guía deslizante

Aplicaciones

Cepillo de banco eléctrico con guía ajustable indicado para utilizar piezas de trabajo de hasta 152 mm de ancho. Esta herramienta está diseñada solamente para realizar tareas ligeras y medianas.

Esta herramienta SOLO debe utilizarse para el propósito para la cual ha sido diseñada. Cualquier uso distinto a los mencionados en este manual se considerará un uso incorrecto. El fabricante no se hará responsable por los daños causados debido a la utilización incorrecta de esta herramienta. El fabricante no se hace responsable de ningún daño causado por la modificación de este producto.

Nota: No indicada para uso comercial.

Desembalaje

- Desembale e inspeccione la herramienta con cuidado. Familiarícese con todas sus características y funciones.
- Asegúrese de que el embalaje incluya todas las piezas y compruebe que estén en buenas condiciones. Si faltan piezas o están dañadas, sustitúyalas antes de utilizar este producto.

Antes de usar

⚠ **ADVERTENCIA:** Desconecte siempre la herramienta de la toma de corriente antes de cambiar o sustituir cualquier accesorio.

⚠ **ADVERTENCIA:** Lleve SIEMPRE guantes de protección resistentes a los cortes (no suministrados) cuando utilice esta herramienta.

Indicaciones importantes para un uso seguro de esta herramienta

- Desconecte siempre la herramienta de la toma de corriente antes de cambiar o sustituir cualquier accesorio.
- Asegúrese de que el interruptor de encendido/apagado (6) se encuentre en la posición de apagado "OFF" antes de conectar la herramienta a la toma de corriente.
- Mantenga las manos lejos de todas las partes móviles.
- Utilice protección ocular y respiratoria cuando utilice esta herramienta.
- Asegúrese de que todas las partes móviles no estén obstruidas.
- Mantenga las hojas afiladas, alineadas y sujetas firmemente en el cabezal de corte.
- Nunca encienda la herramienta cuando la pieza de trabajo esté en contacto con las cuchillas.
- Cuando no utilice esta herramienta, apáguela y desconéctela de la toma de corriente.
- Mantenga esta herramienta en buen estado. Siga las instrucciones descritas en la sección de mantenimiento (véase "Mantenimiento").
- Nunca utilice esta herramienta para realizar cortes parciales - dejar que corte toda la longitud de la pieza de trabajo.
- No utilice esta herramienta para cortar huecos, espigas o moldes.
- Observe el sentido de giro de la cuchilla indicado en la herramienta.

Montaje en un banco de trabajo

- Utilice los orificios de montaje (8) y los elementos de fijación (no suministrados) para colocar la herramienta sobre una superficie firme y plana.

Instalación de la guía

Instalación del soporte de montaje para la guía

1. Alinee la abrazadera de la guía (16) con el soporte de la abrazadera de la guía (11) y sujétala utilizando la llave hexagonal de 6 mm (23) y los 2 pernos M8 x 20 mm (35) (Fig. I).

2. Monte la placa de bloqueo de la guía (17) en el soporte de montaje para la guía. Asegúrese de que los dos pasadores estén colocados en el borde de la parte inferior del soporte de montaje para la guía.
3. Utilice la empuñadura para bloqueo de la guía deslizante (21) y el espaciador de 10 mm (31) para fijar la placa en la posición requerida (Fig. II).

Instalación de la guía y el soporte deslizante

1. Coloque la guía (15) en el soporte para la guía deslizante (18) utilizando los tornillos hexagonales M6 x 25 mm (37), las arandelas de 6 mm (32) y la llave hexagonal de 5 mm (24) (Fig. III).
2. Deslice la guía y el soporte deslizante en las ranuras situadas en el soporte de montaje de la guía (16) y la placa de bloqueo de la guía (Fig. IV).
3. Deslice la empuñadura para bloqueo del ángulo de la guía (20) a través del espaciador de 10 mm (31), el conjunto de la guía y apriete el tornillo en sentido horario para fijarla en la posición requerida (Fig. V).

Nota: La empuñadura para bloqueo del ángulo de la guía (20) y la empuñadura para bloqueo de la guía deslizante (21) disponen de mecanismo de ajuste con resorte para girarlas en diferentes posiciones de forma independiente. Tire de la empuñadura, gírela y suéltela para ajustarla en la posición requerida. Ajuste las empuñaduras si es necesario para que la herramienta no obstaculice el trabajo a realizar.

Instalación del protector del tambor de la cuchilla

1. Coloque el protector del tambor de la cuchilla (19) en el brazo del protector (27) utilizando las dos tuercas M6 x 10 mm (33) y dos llaves de 10 mm (28) (Fig. VI).
2. Instale el conjunto del protector a través de los orificios de montaje del protector (4) utilizando los dos tornillos hexagonales de 13 x 20 mm (36), las dos arandelas de 8 mm (29) y una llave de 12 mm (28) (Fig. VII).

Instalación de las asas de transporte

1. Instale las asas de transporte (26) utilizando los tornillos hexagonales M8 x 30 mm (34), las arandelas elásticas de 8 mm (29), arandelas planas de 8 mm (30) y la llave hexagonal de 6 mm (23) (Fig. VIII).

Extracción de polvo

- En algunas ocasiones, el polvo producido puede ser tóxico. Lleve siempre protección respiratoria cuando utilice esta herramienta.
- Conecte el colector de polvo o un dispositivo de extracción de polvo en la salida de extracción de polvo de la herramienta (13).

Calibrado de la mesa

1. Coloque un nivel (no suministrado) sobre la mesa de salida (1) y sobre el tambor de la cuchilla (23) (imagen A).
2. Gire la perilla de ajuste de profundidad de corte (7) en sentido horario para ajustar la mesa de entrada (3) a la profundidad de corte más baja o en sentido antihorario para ajustarla en la profundidad de corte más alta, alineando la mesa de entrada con la mesa de salida.

Ajuste de la posición de la guía

⚠ **ADVERTENCIA:** Asegúrese SIEMPRE de que la placa de protección del mecanismo deslizante (41) cubra el tambor de la cuchilla (2) hasta la parte posterior de la guía (15) durante el funcionamiento de la herramienta.

1. Ajuste el ángulo de la guía de corte (15) para utilizar la herramienta con piezas de trabajo con formas irregulares.
2. La guía de corte puede ajustarse en ángulos entre 45° (interior) y 45° (exterior).
3. La guía dispone de 3 posiciones de bloqueo (45° interior, 45° exterior y 90°).
4. Utilice una escuadra para comprobar el ángulo de ajuste de la guía.

Ajuste de la guía a 90°

1. Coloque la guía en la herramienta (15) y apriete la empuñadura para bloqueo de la guía deslizante (21).
2. Afloje la empuñadura para bloqueo del ángulo de la guía (20).
3. Deslice el tope para el mecanismo deslizante (40) en la posición requerida levantando la perilla de bloqueo e introduciendo el tope hacia la guía (Fig. IX).
4. Coloque la guía para que el tope esté en contacto con la parte magnética de la parte posterior de la guía.
5. Deslice la placa protectora del mecanismo deslizante (41) a través del tambor de la cuchilla (2) y la parte posterior de la guía.
6. Apriete la empuñadura para bloqueo del ángulo de la guía.

Ajuste de la guía a 45° (interior)

1. Coloque la guía (15) en la herramienta y apriete la empuñadura para bloqueo de la guía deslizante (21).
2. Afloje la empuñadura para bloqueo del ángulo de la guía (20).
3. Deslice el tope para el mecanismo deslizante (40) en la posición requerida para que no interfiera con la guía de corte.
4. Incline la parte superior de la guía hacia dentro hasta que entre en contacto con los pernos del tope interior (39) (Fig. X).
5. Deslice la placa protectora del mecanismo deslizante (41) a través del tambor de la cuchilla (2) y la parte posterior de la guía.
6. Apriete la empuñadura para bloqueo del ángulo de la guía.

Ajuste de la guía a 45° (exterior)

1. Coloque la guía (15) en la herramienta y apriete la empuñadura para bloqueo de la guía deslizante (21).
2. Afloje la empuñadura para bloqueo del ángulo de la guía (20).
3. Deslice el tope para el mecanismo deslizante (40) en la posición requerida para que no interfiera con la guía de corte.
4. Incline la parte superior de la guía hacia dentro hasta que entre en contacto con los pernos del tope exterior (38) (Fig. XI).
5. Deslice la placa protectora del mecanismo deslizante (41) a través del tambor de la cuchilla (2) y la parte posterior de la guía.
6. Apriete la empuñadura para bloqueo del ángulo de la guía.

Alineación de la cuchilla

⚠ **ADVERTENCIA:** Nunca toque el borde de la cuchilla (45) con las manos.

Nota: Las cuchillas de esta herramienta vienen ajustadas de fábrica y no requieren ningún ajuste adicional. Con el paso del tiempo las cuchillas pueden llegar a descentrarse. Asegúrese de comprobar el estado de las cuchillas antes de usar esta herramienta.

Comprobación de las cuchillas

1. Coloque una pieza de trabajo con borde recto en la mesa de salida (1) y el tambor de la cuchilla (2).
2. Retire los tornillos de la tapa de la correa (5) utilizando la llave hexagonal de 4 mm (25) (Fig. XII).
3. Gire el tambor de la cuchilla utilizando la correa (49) (Fig. XIII).
4. La cuchilla (45) debería tocar el borde recto de la pieza al girar el rodillo.
5. Deberá ajustar la cuchilla cuando no toque o mueva el borde recto de la pieza hacia delante.
6. Compruebe la altura en ambos extremos de la cuchilla para asegurarse de que esté correctamente alineada.

Alineación de las cuchillas

1. Gire el tambor de la cuchilla (2) para ver los cuatro tornillos de la cuchilla (42).
2. Utilice la llave hexagonal de 4 mm (25) para aflojar los cuatro tornillos (Fig. XIV).
3. Gire el tambor de la cuchilla para ver los tornillos de alineación de la cuchilla (44) (Fig. XV).
4. Coloque una pieza de trabajo con borde recto en la mesa de salida, gire el tornillo de alineación de la cuchilla hasta que la cuchilla (45) entre en contacto con el borde recto al girar el rodillo (Fig. XVIII).
5. Repita el mismo proceso con el otro tornillo para comprobar que la cuchilla esté correctamente alineada.
6. Vuelva a apretar los cuatro tornillos de la cuchilla y repita el procedimiento anterior para alinear la segunda cuchilla.

Transporte

- Cuando transporte o guarde esta herramienta, asegúrese de que el protector de la cuchilla esté colocado sobre el cabezal de la cuchilla y de que todos los bloqueos de ajuste y bisel estén correctamente colocados.
- Utilice las solapas de transporte (26) para transportar y levantar la herramienta.
- Cuando la herramienta esté montada sobre un banco de trabajo o soporte, asegúrese de que las fijaciones estén desmontadas y de que la herramienta pueda moverse libremente.
- Cuando la herramienta esté montada sobre un tablero portátil, asegúrese de que el tablero no esté sujeto en el banco de trabajo o soporte para que la herramienta pueda moverse libremente.
- Cuando mueva o transporte la herramienta, manténgala siempre en posición vertical.

Funcionamiento

⚠ **ADVERTENCIA:** Lleve SIEMPRE protección adecuada cuando utilice esta herramienta, incluido protección ocular, protección auditiva y guantes de protección. Lleve mascarilla respiratoria cuando esté expuesto al humo o el polvo.

⚠ **ADVERTENCIA:** Desconecte siempre la herramienta de la toma de corriente antes de cambiar o sustituir cualquier accesorio.

IMPORTANTE: Inspeccione siempre la herramienta antes de cada uso. Antes de conectar la herramienta a la red eléctrica, compruebe los dispositivos de protección y el funcionamiento correcto de la herramienta.

IMPORTANTE: Asegúrese de que el usuario esté familiarizado con el uso, ajuste y mantenimiento antes de conectarla a la fuente de alimentación y utilizar esta herramienta.

⚠ **ADVERTENCIA:** Desconecte siempre la toma de corriente antes de realizar cualquier ajuste, calibración, tarea de mantenimiento o limpieza. Observe la dirección de giro de la cuchilla y compárela con la dirección de giro correcta de la herramienta.

Ajuste de la profundidad de corte

⚠ **ADVERTENCIA:** Desconecte SIEMPRE la herramienta de la toma de corriente antes de ajustar la profundidad de corte. NUNCA ajuste la profundidad de corte con la herramienta encendida.

IMPORTANTE: Nunca exceda la capacidad de corte indicada en las especificaciones de este manual.

1. Gire la perilla de ajuste de profundidad de corte (7) en sentido antihorario para incrementar la profundidad de corte o en sentido horario para disminuir la profundidad de corte (Fig. XVI).
2. Cada vuelta completa de la perilla incrementará o disminuirá la profundidad de corte en 0,75 mm.
3. Utilice un trozo de material desechable para comprobar los ajustes realizados.

Encendido y apagado

Asegúrese de que el cable de alimentación (9) esté conectado a la toma de corriente antes de intentar encender la herramienta.

- El interruptor de encendido/apagado (6) está situado en la parte frontal de herramienta.
- Para encender la herramienta, pulse el botón verde de encendido (I).
- Para apagar la herramienta, pulse el botón rojo de apagado (O).

Funcionamiento del cepillo de banco

⚠ **ADVERTENCIA:** El usuario debe estar siempre situado en el extremo de la mesa de entrada (3) y no debe alcanzar el tambor de la cuchilla (2) en ningún momento durante el funcionamiento de la herramienta.

⚠ **ADVERTENCIA:** Mantenga las manos y los dedos a una distancia mínima de 150 mm del tambor de la cuchilla. Utilice siempre el empujador (14) o los bloques empujadores (22) cuando introduzca la pieza de trabajo a través de la mesa de entrada.

⚠ **ADVERTENCIA:** Apague la herramienta si el tambor de la cuchilla se queda atascado durante el funcionamiento. No encienda la herramienta cuando la pieza de trabajo esté a mitad de camino. No intente realizar cortes parciales.

⚠ **ADVERTENCIA:** Guarde el empujador en el soporte para el empujador (10) para tenerlo siempre a mano cuando utilice la herramienta.

⚠ **ADVERTENCIA:** Esta herramienta ha sido diseñada para ser utilizada SOLAMENTE con maderas naturales. Nunca utilice esta herramienta con piezas de trabajo de metal, plástico, maderas laminadas, contrachapadas, DM o maderas sintéticas. No intente cepillar material mal curvado si el contacto con la mesa de entrada es inadecuado.

⚠ **ADVERTENCIA:** Asegúrese SIEMPRE de que la placa de protección del mecanismo deslizante (41) cubra el tambor de la cuchilla (2) hasta la parte posterior de la guía (15) cuando la guía sobresalga sobre el tambor de la cuchilla durante el funcionamiento.

IMPORTANTE: Tenga en cuenta el tipo de madera de la pieza de trabajo antes de utilizar esta herramienta. Realice cortes de baja profundidad solamente en maderas macizas con superficie rugosa.

Utilización del protector

⚠ **ADVERTENCIA:** Nunca utilice la herramienta sin la protección adecuada en su lugar o ajustada correctamente.

Antes de realizar un corte, utilice los ajustadores del brazo protector (27) para colocar el protector del tambor de la cuchilla (19) y cubrir cualquier parte del tambor de la cuchilla (2) que quede expuesta cuando la pieza de trabajo esté en su lugar - véase las imágenes A - D.

Rebaje de superficies

Imagen B.

- Indicado para realizar rebajes antes de realizar cortes más profundos en la pieza de trabajo.

1. Ajuste la altura de la mesa de entrada (3) a la profundidad de corte requerida.

IMPORTANTE: Realice cortes superficiales para evitar el contragolpe.

2. Ajuste la guía de corte (15) a 90° (véase "Ajuste de la guía de corte").
3. Encienda la herramienta.
4. Sujete la pieza de trabajo contra la mesa de entrada (3) y la guía.
5. Ajuste el protector del tambor de la cuchilla (19) - véase "Utilización del protector".
6. Introduzca la pieza de trabajo completamente a través de la cuchilla y presione ligeramente contra la guía y la mesa durante el corte.
7. Repita el mismo procedimiento si es necesario hasta conseguir el acabado deseado.

Rebaje de cantos

Imagen C.

- Indicado para rebajar los cantos de la pieza de trabajo. Ideal para preparar piezas de trabajo cuadradas y posteriormente realizar uniones.
1. Ajuste la altura de la mesa de entrada (3) a la profundidad de corte requerida.

IMPORTANTE: Realice cortes superficiales para evitar el contragolpe.

2. Ajuste la guía de corte (15) a 90° (véase "Ajuste de la guía de corte").
3. Encienda la herramienta.
4. Sujete la pieza de trabajo contra la mesa de entrada y la guía.
8. Ajuste el protector del tambor de la cuchilla (19) - véase "Utilización del protector".
5. Introduzca la pieza de trabajo completamente a través de la cuchilla y presione ligeramente contra la guía y la mesa durante el corte.
6. Repita el mismo procedimiento si es necesario hasta conseguir el acabado deseado.

Corte a bisel

Imagen D.

- Los cortes a bisel pueden realizarse colocando la guía (15) en el ángulo requerido e introduciendo la pieza de trabajo a través de la guía. Generalmente, este tipo de corte requiere varias pasadas.
1. Ajuste la altura de la mesa de entrada (3) a la profundidad de corte requerida.

IMPORTANTE: Realice cortes superficiales para evitar el contragolpe.

2. Ajuste la guía de corte a 90° (véase "Ajuste de la guía de corte").
3. Sujete la pieza de trabajo contra la mesa de entrada y coloque la parte cóncava de la guía hacia abajo.
4. Encienda la herramienta.
9. Ajuste el protector del tambor de la cuchilla (19) - véase "Utilización del protector".
5. Presione la pieza de trabajo ligeramente contra la guía y la mesa utilizando un bloque empujador (22) e introdúzcala usando el segundo empujador.
6. Repita el mismo procedimiento hasta conseguir el acabado deseado.

Accesorios

- Existen gran variedad de accesorios, equipo de protección y dispositivos de extracción de polvo para esta herramienta disponible en su distribuidor Triton.
- Las piezas de repuesto pueden obtenerse a través de www.toolsparesonline.com

Mantenimiento

⚠ ADVERTENCIA: Desconecte siempre la herramienta de la toma de corriente antes de cambiar o sustituir cualquier accesorio.

⚠ ADVERTENCIA: Lleve SIEMPRE guantes de protección resistentes a los cortes cuando manipule el tambor de la cuchilla (2) y sus componentes.

- Esta herramienta está fabricada con componentes de alta calidad y utiliza sistemas de protección para proteger y garantizar el funcionamiento de la herramienta en todo momento.
- Las partes de esta herramienta que pueden ser reemplazadas por el usuario son:
 - I. Cuchillas
 - II. Correa de transmisión
 - III. Correa auxiliar

Nota: En esta sección del manual se muestran las instrucciones sobre el mantenimiento de estos elementos.

Inspección general

- Compruebe regularmente que todos los tornillos y elementos de fijación estén bien apretados. Con el paso del tiempo pueden vibrar y aflojarse.
- Inspeccione el cable de alimentación antes de utilizar esta herramienta y asegúrese de que no esté dañado. Las reparaciones del cable de alimentación deben realizarse por un servicio técnico Triton autorizado.
- Lleve la herramienta a un servicio técnico Triton autorizado si NO está seguro de cómo llevar a cabo cualquiera de los siguientes procedimientos de mantenimiento.

Limpieza

⚠ ADVERTENCIA: Asegúrese de que la herramienta esté apagada y desconectada de toma de corriente antes de limpiar o eliminar cualquier bloqueo. Utilice siempre guantes resistentes a los cortes cuando realice procedimientos de limpieza y desbloqueo la herramienta, ya que esta contiene superficies y componentes afilados.

- Mantenga la herramienta siempre limpia. La suciedad y el polvo pueden dañar y reducir la vida útil su herramienta. Utilice un cepillo suave o un paño seco para limpiar la herramienta. Si dispone de un compresor de aire comprimido, sople con aire seco y limpio para limpiar los orificios de ventilación.
- Después de usar la herramienta, aspire la junta para eliminar las astillas de madera, el aserrín y los escombros.
- Limpie el aserrín, las virutas de madera y los restos de grasa de la correa, los engranajes y las piezas móviles.
- Limpie la carcasa de la herramienta con un paño húmedo y detergente suave. Nunca utilice alcohol, combustible o productos de limpieza.
- Nunca utilice agentes cáusticos para limpiar las piezas de plástico.

Sustitución de las cuchillas

⚠ **ADVERTENCIA:** Lleve SIEMPRE guantes de protección resistente a los cortes cuando manipule las cuchillas (45).

IMPORTANTE: Utilice solamente cuchillas compatibles con su herramienta.

1. Retire la tapa de la correa (5) utilizando la llave hexagonal de 4 mm (25) (Fig. XII).
2. Gire el tambor de la cuchilla para ver los cuatro tornillos de la cuchilla (42).
3. Retire los cuatro tornillos de la cuchilla (Fig. XIV).
4. Retire la abrazadera para la cuchilla (43) y la cuchilla.
5. Coloque la nueva cuchilla en los tornillos para alinear la cuchilla (44) (Fig. XVII).
6. Coloque los tornillos de la cuchilla y vuelva a alinearla (véase "Alineación de las cuchillas").
7. Repita el mismo procedimiento con la segunda cuchilla.

Sustitución de las correas

Sustitución de la correa auxiliar

1. Coloque la herramienta en el suelo o sobre un banco de trabajo para acceder a través de la base.
2. Retire los tornillos y la tapa inferior.
3. Afloje los 2 tornillos hexagonales de la salida de extracción de polvo (47) para deslizar la salida de extracción de polvo hacia la izquierda.
4. Sustituya la correa auxiliar (48).
5. Tense la correa y vuelva a colocar los tornillos hexagonales.
6. Vuelva a colocar la tapa inferior.

Sustitución de la correa de transmisión

1. Coloque la herramienta en el suelo o sobre un banco de trabajo para acceder a través de la base.
2. Retire los tornillos y la tapa inferior.
3. Retire la correa auxiliar (48) (véase "Sustitución de la correa auxiliar").
4. Afloje los 2 tornillos hexagonales del motor (46) para deslizar el motor hacia la izquierda/derecha.
5. Retire la correa de transmisión (49).
6. Sustituya la correa de transmisión.
7. Tense la correa y vuelva a colocar los tornillos hexagonales.
8. Vuelva a colocar la tapa inferior.

Lubricación

- Aplique regularmente spray lubricante en las piezas móviles.
- Los rodamientos del motor y del cabezal de corte vienen sellados de fábrica y no requieren lubricación adicional.
- Componentes que requieren lubricación regularmente:
 - o Perilla de ajuste de profundidad de corte
 - o Soporte para la guía deslizante
 - o Perilla de bloqueo del ángulo de la guía
 - o Perilla de bloqueo de la guía deslizante
 - o Mecanismo de ajuste del protector
- Elimine los restos de grasa de los otros componentes, con alcohol mineral o disolventes si es necesario, a continuación, aplique una capa ligera de grasa multiusos (no incluida).
- Las mesas de trabajo pueden cubrirse con una capa muy fina de cera lubricante (no incluida) para proteger la superficie de la oxidación y para facilitar el avance de la pieza de trabajo durante el uso.

Sustitución de las escobillas

- Con el tiempo, las escobillas de carbono del motor se desgastarán.
- Si las escobillas se han desgastado excesivamente, el rendimiento del motor puede disminuir, la herramienta tal vez no arranque o quizás observe una excesiva presencia de chispas.
- Si sospecha que las escobillas pueden estar desgastadas, lleve la herramienta a un servicio técnico autorizado.

Almacenaje

- Guarde esta herramienta y accesorios en un lugar seco y seguro fuera del alcance de los niños.

Contacto

Servicio técnico de reparación – Tel: (+44) 1935 382 222

Web: www.tritontools.com

Dirección (RU):

Toolstream Ltd.
Boundary Way
Lufton Trading Estate
Yeovil, Somerset
BA22 8HZ, Reino Unido

Dirección (UE):

Toolstream B.V.
Hogeweg 39
5301 LJ Zaltbommel
Países Bajos.

Reciclaje

Deshágase siempre de las herramientas eléctricas adecuadamente respetando las normas de reciclaje indicadas en su país.

- No deseche las herramientas y aparatos eléctricos junto con la basura convencional. Recíclelos siempre en puntos de reciclaje.
- Póngase en contacto con la autoridad local encargada de la gestión de residuos para obtener más información sobre cómo reciclar este tipo de herramientas correctamente.

Solución de problemas

Problema	Causa	Solución
La herramienta no se enciende al accionar interruptor de encendido/apagado (6)	Falta de alimentación eléctrica	Compruebe el suministro eléctrico
	Interruptor de encendido/apagado averiado	Sustituya el interruptor de encendido/apagado en un servicio técnico Triton
El motor no se enciende	Escobillas de carbón desgastadas	Sustituyas las escobillas de carbón
Acabado de mala calidad	Profundidad de corte excesiva	Gire o sustituyas las cuchillas (véase "Sustitución de las cuchillas")
	Cuchillas (45) desgastadas La madera está húmeda	Apague la herramienta. Ajuste la posición de las cuchillas si es necesario (véase "Sustitución de las cuchillas")
	La madera está húmeda	Apague la herramienta. Ajuste la posición de las cuchillas si es necesario (véase "Sustitución de las cuchillas")
El tambor de la cuchilla no gira	Correa de transmisión (49) rota	Véase "Sustitución de la correa de transmisión" y reemplace la correa
Vibración y ruido anormal	APAGUE la herramienta inmediatamente	Compruebe que todas las piezas estén instaladas correctamente y que estén en buen estado
		Contacte con un servicio técnico Triton autorizado

Garantía

Para registrar su garantía, visite nuestra página Web en tritontools.com* e introduzca sus datos personales.

Recordatorio de compra

Fecha de compra: ___/___/___

Modelo: TSPL152

Conserve su recibo como prueba de compra.

Las herramientas Triton disponen de un período de garantía de 3 años. Para obtener esta garantía, deberá registrar el producto online en un plazo de 30 días contados a partir de la fecha de compra. Si durante ese período apareciera algún defecto en el producto debido a la fabricación o materiales defectuosos, Triton se hará cargo de la reparación o sustitución del producto adquirido.

Esta garantía no se aplica al uso comercial por desgaste de uso normal, daños accidentales o por mal uso de esta herramienta.

* Registre el producto online en un plazo de 30 días contados a partir de la fecha de compra.

Se aplican los términos y condiciones.

Esto no afecta a sus derechos legales como consumidor.

Tradução das instruções originais

Introdução

Obrigado por comprar este produto Triton. Este manual contém as informações necessárias para a operação segura e eficiente deste produto. Este equipamento apresenta recursos exclusivos e, mesmo que você esteja familiarizado com produtos similares, é necessário ler o manual cuidadosamente para garantir que as instruções sejam totalmente compreendidas. Assegure-se de que todos os usuários do produto leiam e compreendam este manual, completamente. Mantenha este manual sempre à mão, e assegure-se de que todos os usuários da ferramenta leiam e compreendam completamente seu conteúdo.

Descrição dos símbolos

A placa de identificação do seu produto pode apresentar alguns símbolos. Estes indicam informações importantes sobre o produto, ou instruções sobre seu uso.



Use proteção auricular
Use proteção ocular
Use proteção respiratória
Use proteção de cabeça



Use proteção nas mãos



Leia o manual de instruções



NÃO use sob chuva ou em ambientes úmidos!



Desconecte sempre da tomada elétrica, quando for fazer ajustes, trocar acessórios, limpar, efetuar manutenção ou quando não estiver em uso!



AVISO: A movimentação das peças tem o risco de causar ferimentos por corte ou esmagamento.



Não toque nas lâminas antes da máquina ser desconectada da fonte de energia e antes que as lâminas tenham parado completamente.

AVISO: PERIGO AO SER ERGUIDO

O levantamento por uma única pessoa poderá causar ferimentos



Use auxílio de outros quando desejar mover ou erguer este equipamento

AVISO: Esta máquina é pesada e, como



Construção de classe I (com aterramento).



Proteção ambiental

O descarte de produtos elétricos não deve ser feito no lixo doméstico. Faça a reciclagem em locais próprios para isso. Consulte as autoridades locais ou seu revendedor para saber como reciclar.



Cumpra a legislação e os padrões de segurança aplicáveis.



Cuidado!



Cuidado com os contragolpes!



Apenas para uso interno!



Coleta de pó necessária ou recomendada.

Abreviações técnicas

V	Volts
~	Corrente alternada
A, mA	Ampere, miliampere
n ₀	Velocidade sem carga
Nm	Newtons metro (torque)
psi	Libras por polegada quadrada
°	Graus
Hz	Hertz
W, kW	Watt, Quilowatt
min ⁻¹	Operações por minuto
dB(A)	Nível sonoro, em decibéis (A ponderado)

Especificação

Modelo:	TSPL152
Voltagem:	220-240 V~, 50/60 Hz
Potência:	1100 W
Calibre do fusível (apenas no Reino Unido):	13 A
Velocidade sem carga:	8000 min ⁻¹
Máx. profundidade de aplainamento:	0 a 3,2 mm
Largura de aplainamento:	0 a 152,4 mm
Dimensões da mesa:	771 x 250 mm
Faixa do ângulo da guia:	45 a 135°
Diâmetro da saída de poeira:	Interno: 50 mm Externo: 60 mm
Classe de proteção:	⊕
Proteção de entrada:	IP20
Comprimento do cabo elétrico:	2 m
Dimensões (C x L x A):	965 x 505 x 315 mm
Peso:	25,4 kg
Como parte do desenvolvimento contínuo de nossos produtos, as especificações da Triton poderão ser alteradas sem aviso.	
Informações sobre ruído e vibração	
Pressão sonora L_{PA}:	94,3 dB(A)
Potência sonora L_{WA}:	107,3 dB(A)
Incerteza K:	3 dB(A)

O nível de intensidade sonora para o operador poderá ultrapassar 85 dB(A) e, por isso, são necessárias medidas de proteção.

⚠ AVISO: Use sempre proteção auditiva apropriada, quando o ruído da ferramenta ultrapassar 85dB(A), e limite o tempo de exposição ao mínimo necessário. Caso os níveis de ruído se tornem desconfortáveis, mesmo com proteção auditiva, pare imediatamente de usar a ferramenta e verifique se a proteção auditiva está ajustada de forma correta, de modo prover a atenuação sonora correta, para o nível de ruído produzido pela ferramenta.

⚠ AVISO: A exposição do usuário à vibração da ferramenta pode resultar em perda de sentido do tato, dormência, formigamento e diminuição da capacidade de agarrar. A exposição por longo prazo pode levar a uma condição crônica. Caso necessário, limite o período de tempo que fica exposto à vibração e use luvas antivibração. Não use a ferramenta com as mãos expostas a uma temperatura abaixo da temperatura normal confortável, uma vez que a vibração tem mais impacto nessa condição. Use os valores fornecidos na especificação relativa a vibrações, para calcular a duração e frequência de uso da ferramenta.

⚠ AVISO: A produção de vibração, durante o uso atual da ferramenta elétrica, pode diferir do valor total declarado, dependendo da forma como a ferramenta é usada. Existe a necessidade de identificar medidas de segurança para proteger o operador, as quais são baseadas em uma estimativa de exposição nas condições reais de uso (levando em consideração todas as partes do ciclo de operação, como os momentos em que a ferramenta é desligada, quando está funcionando sem carga e o tempo de acionamento).

O valor total declarado de vibração foi determinado de acordo com o método de teste padrão, e pode ser usado para se comparar uma ferramenta com outra. O valor total declarado de vibração também pode ser usado em uma avaliação preliminar de exposição.

Os níveis sonoros da especificação são determinados de acordo com padrões internacionais. Os valores consideram o uso normal da ferramenta, sob condições de trabalho normais. Uma ferramenta montada, mantida ou usada incorretamente, poderá produzir níveis de ruído, e de vibração, superiores: O site www.osha.europa.eu fornece mais informações sobre níveis de vibração e ruído em locais de trabalho, e pode ser útil para usuários domésticos que usam ferramentas por longos períodos de tempo.

Avisos de segurança gerais da ferramenta

⚠ AVISO: Quando se trabalha com ferramentas elétricas, devem ser tomadas precauções básicas de segurança para se reduzir o risco de incêndio, choques elétricos e ferimentos pessoais, incluindo as seguintes informações de segurança. Leia todas estas instruções antes de tentar operar este produto e guarde-as para uso posterior.

⚠ AVISO: Este equipamento não foi concebido para ser usado por pessoas (inclusive crianças) com capacidade física ou mental reduzida, ou sem experiência ou conhecimento, exceto se estiverem sob supervisão ou houverem recebido instruções relativas ao uso do equipamento pela pessoa responsável por sua segurança. As crianças devem ser supervisionadas para garantir que não brinquem com o equipamento.

⚠ CUIDADO: Use a ferramenta elétrica, seus acessórios e outros elementos de acordo com estas instruções, considerando as condições de trabalho e o serviço a ser executado. O uso da ferramenta para operações diferentes daquelas para as quais foi projetada pode resultar em uma situação de risco.

O termo “ferramenta elétrica”, nos avisos, se refere a uma ferramenta que usa alimentação da rede elétrica (com cabo elétrico) ou uma bateria (sem cabo elétrico).

- 1 **Mantenha o local de trabalho limpo** - Locais e bancadas desordenados são um convite a ferimentos.
 - 2 **Providencie um ambiente de trabalho adequado**
 - Onde as ferramentas não fiquem expostas à chuva
 - Onde as ferramentas não tenham contato com água ou umidade
 - Que seja bem iluminado
 - Onde as ferramentas não sejam usadas na presença de gases ou líquidos inflamáveis
 - 3 **Proteja-se contra choques elétricos** - Evite contato do seu corpo com superfícies aterradas (por ex., canos, radiadores, fogões, refrigeradores).
 - 4 **Mantenha outras pessoas afastadas do local** - Não deixe que que outras pessoas não envolvidas no trabalho, especialmente crianças, toquem a ferramenta ou o cabo de alimentação elétrica e mantenha-as afastadas do local de trabalho.
 - 5 **Armazene ferramentas que não estejam em uso** - Quando não estiverem sendo usadas, as ferramentas deverão ser guardadas em um local seco e trancado, longe do alcance de crianças.
 - 6 **Não force a ferramenta** - Ela fará o trabalho de uma forma melhor e mais segura, se usada na taxa para a qual foi concebida.
 - 7 **Use a ferramenta correta** - Não force ferramentas pequenas a fazerem o trabalho de uma ferramenta de serviço pesado. Não use ferramentas para fins não previstos; por exemplo, não use serras circulares para cortar galhos ou toras de árvores.
 - 8 **Vista-se de forma apropriada**
 - Não use roupas soltas ou joias, que possam ser agarradas por partes móveis da ferramenta.
 - Recomenda-se o uso de calçados de segurança adequados, quando trabalhar ao ar livre.
 - Use uma toca de proteção para prender cabelos longos.
 - 9 **Use equipamento de proteção**
 - Use óculos de segurança
 - Use uma máscara contra poeira se o trabalho produzir poeira ou serragem.
- ⚠ **AVISO:** O não utilização de equipamentos de proteção ou do vestuário adequado poderá provocar ferimentos pessoais ou aumentar a gravidade dos ferimentos.
- 10 **Use equipamento de extração de pó** - Se a ferramenta tem encaixe para equipamento de coleta e extração de serragem e poeira, assegure-se de utilizá-lo.
 - 11 **Não abuse do cabo de alimentação** - Nunca puxe o cabo de energia elétrica para desconectá-lo da tomada. Mantenha o cabo de alimentação longe do calor, óleo e bordas afiadas. Cabos danificados ou emaranhados aumentam o risco de choque elétrico.

- 12 **Prenda a peça de trabalho** - Sempre que possível, use braçadeiras ou uma morsa para prender a peça de trabalho. É mais seguro do que usar sua mão.
- 13 **Não se estique demais** - Mantenha sempre o equilíbrio e os pés em local firme.

14 **Faça a manutenção cuidadosa das ferramentas**

- Manter as ferramentas de corte afiadas e limpas, torna-as mais fáceis de controlar e reduz as chances de travarem na peça de trabalho.
- Sigas as instruções de lubrificação e de substituição de acessórios.
- Inspeccione os cabos de energia da ferramenta periodicamente, e, caso estejam danificados, providencie o reparo por uma oficina de assistência técnica autorizada.
- Inspeccione os cabos de extensão periodicamente e substitua-os, se estiverem danificados.
- Mantenha as empunhaduras secas, limpas e livres de óleo e graxa.

⚠ **AVISO:** Muitos acidentes são causados por ferramentas mal conservadas.

- 15 **Desconecte as ferramentas** da alimentação elétrica, quando não estiverem em uso e antes de efetuar manutenções, ou quando for trocar acessórios como lâminas, brocas e facas.

⚠ **AVISO:** O uso de acessórios não recomendados pelo fabricante poderá resultar em risco de ferimentos.

- 16 **Remova as chaves e ferramentas** - Crie o hábito de verificar se não ficou nenhuma ferramenta ou chave dentro da máquina, antes de ligá-la à alimentação elétrica.

- 17 **Evite partidas não intencionais** - Assegure-se de que o interruptor está na posição “desligado”, quando ligar a ferramenta na tomada de energia, quando estiver inserindo um conjunto de baterias ou quando for pegar ou transportar a máquina.

⚠ **AVISO:** A partida não intencional de uma ferramenta pode causar ferimentos graves.

- 18 **Use extensões próprias para uso externo** - Quando a máquina for usada ao ar livre, use somente cabos de extensão próprios para uso externo, e que tenham esse tipo de indicação em seu corpo. A utilização de um cabo de extensão adequado para uso externo reduz o risco de choque elétrico.

19 **Fique alerta**

- Preste atenção ao que está fazendo, use o bom senso e não opere a máquina quando estiver cansado.
- Não use ferramentas elétricas quando estiver sob influência de drogas, álcool ou medicamentos.

⚠ **AVISO:** Um momento de desatenção, quando se opera uma ferramenta elétrica, pode resultar em ferimentos pessoais graves.

20 **Verifique se existem peças danificadas**

- Antes de usar a ferramenta, esta deverá ser cuidadosamente inspecionada para se garantir que funcionará corretamente e de acordo com sua finalidade pretendida.
- Verifique o alinhamento ou emperramento das peças móveis, se existem peças quebradas ou outras condições que possam afetar a operação da ferramenta.

- Uma proteção, ou peça, que esteja danificada deverá ser consertada de forma correta, ou substituída, em uma oficina de assistência técnica autorizada, a menos que o manual de instruções dê outra orientação.
 - Interruptores defeituosos devem ser consertados em uma oficina de assistência técnica autorizada.
- ⚠ **AVISO:** Não use a ferramenta se o interruptor liga/desliga não estiver funcionando. Nesse caso, o interruptor precisará ser reparado, antes que a máquina volte a ser usada.

21 **A máquina deve ser reparada por uma pessoa qualificada**

- Esta ferramenta elétrica atende as normas de segurança aplicáveis. Os reparos só devem ser efetuados por pessoal qualificado pois, de outro modo, poderão surgir perigos consideráveis para o usuário.

⚠ **AVISO:** Quando trocar peças, use apenas peça originais idênticas.

⚠ **AVISO:** Se o cabo de força estiver danificado, deverá ser substituído pelo fabricante, ou por um centro de assistência técnica autorizado.

22 **Os plugues de tomada devem corresponder ao padrão da tomada de parede** - Nunca modifique os plugues. Nunca use conectores adaptadores em ferramentas elétricas com fio terra (aterradas). Plugues sem modificações e tomadas corretas reduzem o risco de choques elétricos.

23 **Caso esteja usando uma ferramenta elétrica em ambiente externo, use um disjuntor DR** - O uso de um disjuntor DR reduz o risco de choques elétricos.

NOTA: O termo "Dispositivo de Corrente Residual" (Disjuntor DR, Disjuntor Diferencial, Disjuntor Diferencial Residual, ou, simplesmente DR), poderá ser substituído pelo termo "Disjuntor de Falha de Terra" (Ground Fault Circuit Interrupter, GFCI) ou "Disjuntor de Fuga de Terra" (Earth Leakage Circuit Breaker, ELCB).

24 **Quando usada na Austrália ou Nova Zelândia, recomenda-se que esta ferramenta seja SEMPRE alimentada através de um Dispositivo de Corrente Residual (DR), com corrente residual nominal de 30mA ou menos.**

25 **Use um cabo de extensão elétrico adequado.** Certifique-se de que o cabo de extensão está em boas condições. Quando usar um cabo de extensão, assegure-se de que suporta a corrente consumida pelo produto. Um cabo subestimado provocará uma queda na tensão de alimentação e resultará em perda de potência e superaquecimento.

26 **Nunca deixe a ferramenta funcionando sozinha. Desligue a energia elétrica.** Não deixe a ferramenta sozinha antes que o movimento pare completamente.

Mesmo quando a ferramenta é usada conforme prescrito, não é possível eliminar todos os fatores de risco residuais. Se você não tiver certeza da maneira correta e segura de usar esta ferramenta, não tente usá-la.

⚠ **AVISO:** Antes de conectar uma ferramenta a uma fonte de energia (conector do interruptor de energia da rede, tomada de parede, etc.), certifique-se de que a voltagem de alimentação tem o mesmo valor que o especificado na etiqueta de identificação da ferramenta. Uma fonte de energia com uma voltagem acima da especificada para a ferramenta poderá resultar em ferimentos graves e danificar a ferramenta. Se estiver em dúvida, não conecte a ferramenta. Usar uma fonte de energia com tensão abaixo da tensão nominal, especificada na placa de identificação, poderá ser prejudicial ao motor.

Segurança de ferramentas de corte

⚠ **AVISO:** Antes de conectar uma ferramenta a uma fonte de energia (conector do interruptor de energia da rede, tomada de parede, etc.), certifique-se de que a voltagem de alimentação tem o mesmo valor que o especificado na etiqueta de identificação da ferramenta. Uma fonte de energia com uma voltagem acima da especificada para a ferramenta poderá resultar em ferimentos graves e danificar a ferramenta. Se estiver em dúvida, não conecte a ferramenta. Usar uma fonte de energia com tensão abaixo da tensão nominal, especificada na placa de identificação, poderá ser prejudicial ao motor.

Use a ferramenta de corte correta

- Assegure-se de que a ferramenta de corte é adequada ao trabalho. Não assuma que uma ferramenta é adequada sem antes ler a documentação do produto.

Proteja seus olhos

- Use sempre proteção adequada para os olhos, quando estiver usando ferramentas de corte.
- Óculos comuns não são concebidos para oferecer qualquer proteção quando se usa este produto, pois suas lentes não são resistentes a impactos e podem se despedaçar.

Proteja sua audição

- Use sempre proteção auricular apropriada, quando o ruído da ferramenta ultrapassar 85dB.

Proteja sua respiração

- Assegure-se de que você e os demais à sua volta estão utilizando máscaras contra poeira adequadas.

Proteja suas mãos

- Não deixe suas mãos se aproximarem do disco ou lâminas de corte. Quando trabalhar com peças de madeira mais curtas, use um extensor e as ferramentas elétricas adequadas.

Esteja ciente de onde estão os outros à sua volta

- É responsabilidade do usuário da máquina garantir que as pessoas que estão na vizinhança do local de trabalho não sejam expostas a ruído e poeiras perigosas e também que estejam usando equipamento de proteção adequado.

Objetos ocultos

- Inspeção a peça de trabalho e remova todos os pregos e outros objetos embutidos, antes de iniciar o corte.
- Não tente cortar materiais que contenham objetos embutidos, a menos que a ferramenta de corte instalada em sua máquina seja própria para esse tipo de trabalho.
- Podem existir fiações e tubulações escondidas atrás de paredes, painéis de carrocerias podem esconder tubulações de combustível, e gramados altos podem esconder pedras e vidros. Verifique sempre a área de trabalho antes de prosseguir.

Tome cuidado com o material arremessado pela máquina

- Em algumas situações, os resíduos são arremessados com muita velocidade pela ferramenta. É responsabilidade do usuário garantir que outras pessoas que estejam no local de trabalho estejam protegidas contra a possibilidade de serem atingidas por material arremessado.

Instalação de ferramentas de corte

- Garanta que as ferramentas de corte são instaladas de forma correta e firme e verifique se todas as ferramentas e chaves foram removidas da máquina, antes do uso.
- Use apenas as ferramentas de corte recomendadas para sua máquina.
- Não tente fazer modificações em ferramentas de corte.
- Assegure-se de que as lâminas estão afiadas, em boas condições e corretamente instaladas.
- Não tente afiar as lâminas que não forem indicadas para isso. Incluem-se nesse caso lâminas especialmente endurecidas ou lâminas feitas de ligas endurecidas, que tipicamente possuem tungstênio.
- O afiamento das lâminas que puderem ser afiadas deve ser feito de acordo com as instruções do fabricante referentes à respectiva lâmina. Essas instruções poderão definir um número máximo de vezes que a lâmina pode ser afiada.
- As lâminas que podem ser afiadas devem ser inspecionadas de forma mais completa antes do uso, e trocadas imediatamente, caso haja alguma dúvida a respeito de sua adequação ao uso.
- Caso uma lâmina colida com um objeto embutido durante seu uso, para o qual não foi concebida, deve ser substituída imediatamente.

Sentido de alimentação

- Introduza sempre as peças de trabalho na área de corte contra o sentido de movimentação da lâmina ou ferramenta de corte.

Tome cuidado com o calor

- As ferramentas de corte e peças de trabalho podem ficar quentes durante o uso. Não tente trocar as ferramentas até que tenham esfriado completamente

Controle o pó / serragem

- Não deixe que poeira ou serragem se acumulem. A serragem representa um perigo de incêndio e alguns tipos de limalhas metálicas são explosivas.
- Tome cuidado adicional quando estiver cortando madeira ou metal. As centelhas produzidas pelo corte de metais são uma causa comum de incêndios em madeiras.
- Sempre que possível, use um sistema de coleta e extração de serragem de modo a manter um ambiente de trabalho mais seguro.

Segurança da Plaina de Superfície

⚠️ AVISO: Nunca use a ferramenta sem a proteção apropriada no lugar, ou corretamente ajustada.

⚠️ AVISO: Qualquer parte do cabeçote de corte que não for ser usado para aplainar, deverá ser protegido.

⚠️ AVISO: Par aplainar peças de trabalho estreitas, poderão ser necessárias medidas adicionais para garantir a segurança, tais como o uso de dispositivos de pressão horizontal.

⚠️ AVISO: Ferramentas de aplainamento não devem ser usadas para corte de rebaixos, recessos, cavilhas ou moldes.

• **Use proteção respiratória apropriada:** O uso desta ferramenta pode produzir pó contendo substâncias químicas causadoras de câncer, defeitos congênitos ou outras alterações reprodutivas. Algumas madeiras contêm conservantes como o Arseniato de Cobre Cromatado (CCA) que podem ser tóxicos. Quando se lixam, perfuram ou cortam tais madeiras, deve ser tomado cuidado adicional para evitar a inalação e reduzir o contato com a pele.

• **Use apenas lâminas afiadas.** Manuseie as lâminas com muito cuidado, usando luvas à prova de cortes.

⚠️ AVISO: Não use lâminas cegas pois isso aumenta o perigo dos contragolpes.

• **Assegure-se de que todas as roupas, cordas, panos, correntes e itens similares são removidos da área de trabalho.** Para evitar o enroscamento no mecanismo da plaina.

• **Deixe a máquina atingir a velocidade plena de operação, antes de tocar na peça de trabalho com a lâmina ou acessório de corte.**

• **Antes de realizar quaisquer ajustes, limpeza ou manutenções, desligue SEMPRE a máquina e aguarde até que o acessório de corte pare de girar completamente.**

• **Substitua todas as lâminas ao mesmo tempo.** Do contrário, o desbalançamento resultante provocará vibrações e reduzirá a vida útil da plaina e das lâminas.

• **Não tente executar operações de corte não recomendadas pelo fabricante.** O corte de recessos, cavilhas, moldes ou o aplainamento de madeiras severamente abauladas não é permitido com esta ferramenta.

• **Não use a plaina, se não estiver fixa a uma superfície de trabalho firme.** Sem a fixação correta, a plaina de bancada poderá se mover abruptamente durante o uso, podendo provocar ferimentos sérios ao operador.

• **Durante as operações de aplainamento, mantenha sempre o extensor próximo à mesa de alimentação.** O extensor deve ser usado, quando estiver aplainando peças curtas. Use o extensor para alimentar a peça de trabalho quando em proximidade com a lâmina e quando a peça de trabalho for mais fina do que 75 mm.

• **Não tente aplainar madeiras muito curvas, se não fizerem um contato adequado com a mesa de alimentação.**

• **Quando transportar a ferramenta, assegure que as empunhaduras de transporte são usadas (não as de operação) e que os mecanismos de bloqueio e de proteção estão bem fixos no lugar.**

Prevenção de Contragolpes

Nota: Um contragolpe ocorre quando a lâmina trava rapidamente, como resultado de ficar presa ou de desalinhamento, empurrando a peça de trabalho na direção do operador. Também pode puxar as mãos do operador contra a lâmina, o que resultaria em graves ferimentos.

⚠ **AVISO:** Os contragolpes são resultado de mau uso e/ou condições de operação ou procedimentos incorretos. Contudo as forças de contragolpe poderão ser controladas pelo operador, ou completamente evitadas, caso sejam tomadas as devidas precauções:

- a) **NUNCA tente cortar com uma lâmina cega ou deformada.**
Assegure-se SEMPRE de que a lâmina é adequada para o tipo de material a ser cortado.
- b) **Garanta SEMPRE que a guia/mesa de corte está paralela à lâmina.** *Se a guia ou mesa estiver inclinada para dentro, na direção da lâmina, a peça de trabalho poderá entrar em contato com a borda traseira da lâmina.*
- c) **Tome CUIDADO quando cortar peças grandes.** *Garanta que peças grandes são apoiadas por suportes adequados na entrada e saída da peça.*
- d) **NÃO corte toras redondas ou peças de trabalho que não possam ser colocadas de forma plana sobre a mesa.** *Evite madeiras torcidas, deformadas ou cheias de nós.*
- e) **NÃO corte madeiras molhadas pois isso produz uma fricção mais elevada contra a lâmina.** *Além disso a serragem úmida poderá se acumular na lâmina aumentando ainda mais a probabilidade de contragolpes.*
- f) **Empunhe SEMPRE a peça de trabalho com ambas as mãos, firmemente, e posicione seus braços de forma que resistam às forças de contragolpe.**
- g) **Fique fora da trajetória da lâmina e posicione seu corpo equilibradamente em ambos os lados da lâmina, mas não em linha com ela.**
- h) **NÃO retroceda o movimento de corte.** *Caso precise interromper um corte, antes de completá-lo, desligue a ferramenta e remova a peça de trabalho, após a lâmina parar de girar.*
- i) **Use SEMPRE extensores, quando apropriado, para guiar a peça de trabalho através da lâmina.** *Sempre que possível, use pentes de segurança para manter a peça de trabalho contra a mesa.*

Familiarização com o produto

1. Mesa de saída
2. Cabecote de lâminas
3. Mesa de alimentação
4. Furos de fixação do protetor
5. Capa da correia
6. Interruptor LIGA/DESLIGA
7. Botão de ajuste de profundidade de corte
8. Furos de fixação na bancada
9. Cabo de alimentação elétrica
10. Suporte de armazenamento do extensor

11. Suporte da guia
12. Pés de borracha
13. Bocal de extração de pó
14. Extensor
15. Guia
16. Suporte de fixação da guia
17. Placa de bloqueio da guia
18. Suporte de deslizamento da guia
19. Protetor do tambor de lâminas
20. Alavanca de bloqueio do ângulo da guia
21. Alavanca de bloqueio da guia deslizante
22. Blocos extensores
23. Chave sextavada de 6 mm
24. Chave sextavada de 5 mm
25. Chave inglesa de 4 mm
26. Empunhaduras
27. Braço do protetor
28. Chave (10 x 12 mm)
29. Arruela elástica de 8 mm
30. Arruela plana de 8 mm
31. Espaçador de 10 mm
32. Arruela elástica de 6 mm
33. Porca M6 x 10 mm
34. Parafuso sextavado M8 x 30 mm
35. Parafuso sextavado M8 x 20 mm
36. Parafuso 13 x 20 mm
37. Parafuso sextavado M6 x 25 mm
38. Parafuso batente externo
39. Parafuso batente interno
40. Batente deslizante
41. Placa deslizante de proteção
42. Parafuso da lâmina
43. Mordente da lâmina
44. Parafuso de ajuste do alinhamento da lâmina
45. Lâmina
46. Parafusos sextavados do motor
47. Parafusos sextavados da unidade de extração de pó
48. Correia auxiliar
49. Correia de acionamento

Uso Pretendido

Plaina de superfície elétrica de 152 mm, de bancada, com guia ajustável, para aplainamento de madeiras de até 152 mm de largura. Apenas para tarefas de aplainamento leve em madeira.

A ferramenta só deve ser usada para a finalidade prescrita. Qualquer tipo de uso não mencionado neste manual será considerado um caso de mau uso. O usuário, e não o fabricante, é responsável por todos os danos e ferimentos decorrentes dos casos de mau uso. O fabricante não se responsabilizará por modificações feitas na ferramenta, nem por quaisquer danos que resultem de tais modificações.

Nota: produto para uso não comercial.

Desembalagem de sua ferramenta

- Desembale e inspecione cuidadosamente seu produto. Familiarize-se com todos os seus recursos e funções.
- Certifique-se de que todas as peças da ferramenta estão presentes e em bom estado. Caso estejam faltando peças ou existam peças danificadas, substitua-as primeiro, antes de tentar usar a ferramenta.

Antes do uso

⚠ **AVISO:** Assegure-se de que a ferramenta está desconectada da fonte de alimentação, antes de instalar ou trocar acessórios, ou fazer quaisquer ajustes.

⚠ **AVISO:** Use SEMPRE luvas adequadas à prova de cortes (não fornecidas) para manusear esta ferramenta.

Orientações importantes para o uso seguro desta máquina

- Desconecte a ferramenta da fonte de alimentação elétrica sempre que for ajustar ou substituir qualquer peça.
- Assegure-se de que o interruptor LIGA/DESLIGA (6) está na posição 'OFF' (DESLIGADA), antes de conectar o cabo de alimentação elétrica à tomada.
- Mantenha seus membros longe de todas as partes móveis da máquina.
- Use proteção ocular e uma máscara no rosto, quando usar esta ferramenta.
- Certifique-se de que todas as partes móveis se movimentam livremente e não interferem com nenhum outro objeto.
- Mantenha as lâminas afiadas, alinhadas e presas firmemente ao cabeçote de corte.
- Nunca ligue a máquina com a peça de trabalho em contato com as lâminas.
- Sempre que a plaina não estiver em uso, desligue-a e desconecte-a da tomada elétrica.
- Mantenha a plaina em bom estado. Siga as instruções de manutenção (ver 'Manutenção')
- Nunca use esta plaina para efetuar cortes parciais. Deixe-a concluir o corte de todo o comprimento da peça de trabalho.
- Não use esta plaina para cortar recessos, cavilhas ou moldes.
- Observe o sentido de rotação do cabeçote indicado na ferramenta.

Instalação na bancada

- Usando os furos de fixação na bancada (8), prenda a ferramenta em uma superfície plana e robusta, com parafusos, porcas sextavadas e contraporcas (não fornecidos).

Instalação da Guia

Fixação do Suporte de Fixação da Guia

1. Alinhe o Suporte de fixação da guia (16) com Suporte da guia (11) e prenda no lugar usando 2 Parafusos sextavados M8 x 20 mm (35) e a Chave sextavada de 6 mm (23) (Fig. I)
2. Insira a Placa de bloqueio da guia (17) no Suporte de fixação da guia. Posicione de modo que os dois pinos fiquem contra a borda inferior do Suporte de fixação da guia.
3. Trave a Placa de bloqueio da guia em posição, usando a Alavanca de bloqueio da guia deslizante (21) e o Espaçador de 10 mm (31) (Fig. II).

Montagem da Guia e do Suporte Deslizante

1. Prenda a Guia (15) ao Suporte deslizante da guia (18), usando os Parafusos sextavados M6 x 25 mm (37), as Arruelas elásticas de 6 mm (32) e a Chave sextavada de 5 mm (24) (Fig. III)
2. Deslize a Guia e o Suporte deslizante sobre os parafusos cauda de andorinha do Suporte de fixação da guia (16) e da Placa de bloqueio da guia (Fig IV).
3. Deslize a Alavanca de bloqueio do ângulo da guia (20) através de um Espaçador de 10 mm (31) e depois pelo conjunto da Guia, e aparafuse no sentido horário para apertar (Fig. V).

Nota: Tanto a Alavanca de bloqueio do ângulo da guia (20) como a Alavanca de bloqueio da guia deslizante (21) têm um ajuste elástico independente, o que significa que as alavancas podem ser giradas independentemente da barra. Isto pode ser feito puxando-se as alavancas, girando-as e, então, soltando. Esta característica pode ser usada quando as alavancas não puderem ser giradas, devido em parte à interferência do conjunto da plaina de superfície.

Fixação do Protetor do Cabeçote de Lâminas

1. Fixe o Protetor do cabeçote de lâminas (19) ao Braço do protetor (27) usando as duas Porcas M6 x 10 mm (33) e duas chaves inglesas de 10 mm (1 x chave inglesa de 10 mm (28)) (Fig. VI).
2. Fixe o conjunto do protetor à ferramenta através dos Furos de fixação do protetor (4), usando os dois Parafusos de 13 x 20 mm (36), 2 Arruelas elásticas de 8 mm (29) e uma Chave inglesa de 12 mm (28) (Fig. VII).

Fixação das Empunhaduras de Transporte

1. Fixe as Empunhaduras (26) usando os Parafusos sextavados M8 x 30 mm (34), as Arruelas elásticas de 8 mm (29), as Arruelas planas de 8 mm (30) e a Chave sextavada de 6 mm (23). (Fig. VIII).

Extração de pó

- Uma extração de pó adequada é essencial para um ambiente de trabalho seguro. As fibras finas produzidas pelas operações de aplainamento podem ser perigosas à saúde. Use sempre uma máscara de pó quando opera esta máquina.
- Dispositivos de extração de pó externos podem ser encaixados na ferramenta por meio do Bocal de extração de pó (13).

Calibração da Mesa

1. Coloque um nível (não fornecido) ou similar, na mesa de saída (1) sobre o Cabeçote de lâminas (2) (Imagem A)
2. Gire o Botão de ajuste de profundidade de corte (7) no sentido horário para erguer a Mesa de alimentação (3) (menor profundidade de corte), ou no sentido anti-horário para abaixar a mesa (e aumentar a profundidade de corte), alinhando a mesa de alimentação com a mesa de saída, para uma leitura de 0 mm.

Posicionamento da Guia

⚠ **AVISO:** Assegure SEMPRE que a Placa deslizante de proteção (41) esteja cobrindo o Cabeçote de lâminas (2) até à parte traseira da Guia (15), no momento em que a Guia se projeta além do Cabeçote, durante a operação.

1. O ângulo da Guia paralela (15) pode ser ajustado para acomodar uma variedade de formas de peça de trabalho.
2. A Guia pode ser ajustada para ângulos entre 45° para dentro e 45° para fora.
3. Existem 3 posições de bloqueio que usam batentes em 45° para dentro, 45° para fora e 90°.
4. Para medições precisas use um esquadro para conferir o ângulo desejado da guia.

Ajuste da Guia em 90°

1. Posicione o conjunto da guia (15) na plaina de superfície e aperte a Alavanca de bloqueio (21) da guia deslizante.
2. Solte a Alavanca de trava do ângulo da guia (20).
3. Deslize o Batente deslizante (40) para a posição, erguendo o botão de bloqueio e deslizando o batente em direção à guia (Fig. IX).
4. Posicione a guia de modo que o Batente fique em contato com o imã na parte traseira da Guia.
5. Deslize a Placa deslizante de proteção (41) sobre o cabeçote de lâminas (2) exposto, até à parte traseira da guia.
6. Uma vez na posição, aperte a Alavanca de bloqueio do ângulo da guia.

Ajuste da Guia em 45° para dentro

1. Posicione o conjunto da guia (15) na plaina de superfície e aperte a Alavanca de bloqueio da guia deslizante (21).
2. Solte a Alavanca de trava do ângulo da guia (20).
3. Remova o Batente deslizante (40) para evitar interferência com o posicionamento da guia.
4. Incline o topo da guia para dentro até que ela toque nos Parafusos de batente internos (39) (Fig. X).
5. Deslize a Placa deslizante de proteção (41) sobre o cabeçote de lâminas (2) até a traseira da guia.
6. Aperte a Alavanca de bloqueio do ângulo da guia de modo a prender a guia na posição.

Ajuste da Guia em 45° para fora

1. Posicione o conjunto da guia (15) na plaina de superfície e aperte a Alavanca de bloqueio da guia deslizante (21).
2. Solte a Alavanca de trava do ângulo da guia (20).
3. Remova o Batente deslizante (40) para evitar interferência com o posicionamento da guia.

4. Incline o topo da guia para fora até que ela toque nos Parafusos de batente externos (38) (Fig. XI).
5. Deslize a Placa deslizante de proteção (41) sobre o cabeçote de lâminas (2) até a traseira da guia.
6. Aperte a Alavanca de bloqueio do ângulo da guia de modo a prender a guia na posição.

Ajuste do alinhamento da lâmina

⚠ **AVISO:** Não toque no fio da lâmina (45) em nenhum momento pois é extremamente afiado.

Nota: As lâminas devem ser ajustadas na fábrica e não deveriam precisar de nenhum ajuste, antes do primeiro uso. Entretanto, poderão ficar desalinhadas durante o transporte e manuseio e devem ser verificadas sempre antes do uso, para garantir um corte preciso.

Verificação das Lâminas

1. Posicione uma régua reta na mesa (1) de saída, se projetando além do cabeçote de lâminas (2).
2. Remova os parafusos da capa da correia e a capa (5), com uma Chave inglesa de 4 mm (25) (Fig. XII).
3. Gire o Cabeçote de lâminas com a correia (49) exposta (Fig. XIII).
4. A lâmina (45) deve apenas tocar a borda reta, quando o cabeçote gira.
5. Se a lâmina não tocar a borda reta, ou puxar a borda reta para a frente, a lâmina precisa de ajuste.
6. Verifique a altura da lâmina em ambas as extremidades para ver se está nivelada de um lado ao outro.

Alinhamento das Lâminas

1. Gire o Cabeçote de lâminas (2) de modo que os quatro Parafusos da lâmina (42) fiquem expostos.
2. Solte os quatro parafusos da Lâmina com uma Chave inglesa de 4 mm (25) (Fig. XIV).
3. Gire o Cabeçote de lâminas de modo que os dois Parafusos de ajuste de alinhamento (44) fiquem expostos (Fig. XV).
4. Com uma régua reta no lugar, acima do Cabeçote de lâminas, na mesa de saída (1), gire o Parafuso de ajuste de alinhamento da lâmina até que a lâmina (45) toque na régua reta, quando o cabeçote é girado (Fig. XVIII).
5. Repita com o segundo Parafuso de ajuste, para garantir que a lâmina está nivelada de um lado até o outro.
6. Uma vez que a lâmina esteja alinhada, reaperte os quatro parafusos da lâmina e repita o processo de alinhamento na segunda lâmina.

Transporte

- Quando transportar ou armazenar a ferramenta, garanta que o Protetor (19) e todas as travas de chanfro e de ajuste estejam firmes no lugar.
- Use apenas as Empunhaduras (26) para erguer e transportar a ferramenta.
- Caso a ferramenta esteja instalada em uma bancada ou suporte, garanta que as fixações foram removidas e que a ferramenta está livre para se mover.

- Se a ferramenta estiver instalada em uma placa portátil, assegure-se de que a placa está solta da bancada ou suporte, de modo que a ferramenta esteja livre para se mover.
- Quando mover ou transportar a ferramenta, mantenha-a sempre na vertical.

Operação

AVISO: Use SEMPRE proteção ocular, auricular, respiratória e luvas apropriadas, quando trabalhar com esta ferramenta.

AVISO: Assegure-se de que a ferramenta está desconectada da fonte de alimentação, antes de instalar ou trocar acessórios, ou fazer quaisquer ajustes.

IMPORTANTE: Inspeção sempre a ferramenta, antes de cada uso. Antes de conectar a ferramenta à energia elétrica da tomada, inspecione os protetores e o funcionamento correto dos recursos de segurança da ferramenta.

IMPORTANTE: Assegure-se de que o operador tem o treinamento adequado na operação, ajuste e manutenção da ferramenta antes de conectá-la à tomada elétrica e operá-la.

AVISO: Garanta SEMPRE que a ferramenta está desconectada da energia elétrica, antes de ajustar ou trocar qualquer parte da ferramenta. Observe a direção de rotação da lâmina e compare-a com a direção de rotação correta marcada na ferramenta.

Ajuste da Profundidade de Corte

AVISO: Assegure-se SEMPRE de que a ferramenta está desligada e desconectada da tomada de energia, antes de tentar ajustar a profundidade de corte. NUNCA ajuste a profundidade de corte com a ferramenta em funcionamento.

IMPORTANTE: A faixa de corte desta ferramenta está indicada na especificação e deve ser seguida, estritamente.

1. Para ajustar a profundidade de corte, gire o Botão de ajuste de profundidade de corte (7) no sentido anti-horário para aumentar a profundidade, e no sentido horário para diminuí-la (Fig. XVI).
2. Cada volta completa do Botão de ajuste de profundidade de corte aumentará ou reduzirá a profundidade de corte em 0,75 mm.
3. Para medir de forma precisa, execute um corte de teste em um pedaço de madeira descartável e meça.

Acionamento e Desligamento

Assegure-se de que o Cabo de alimentação (9) está conectado na tomada de energia, antes de tentar ligar a ferramenta.

- O interruptor Liga/Desliga (6) está localizado na frente ferramenta
- Para LIGAR a ferramenta, pressione o botão verde '1'.
- Para DESLIGAR a ferramenta, pressione o botão vermelho '0'.

Operação da Plana de Superfície

AVISO: Quando usar esta ferramenta, o operador deverá sempre ficar posicionado na ponta da Mesa de alimentação (3) da ferramenta, e não deve tocar o Cabeçote de lâminas (2) em nenhum momento, enquanto opera a ferramenta.

AVISO: Mantenha suas mãos e dedos a pelo menos 150 mm de distância do Cabeçote de lâminas. Quando alimentar uma peça de trabalho próximo ao Cabeçote de lâminas, use sempre um Extensor (14) ou os Blocos extensores (22).

AVISO: Se o Cabeçote de lâminas parar de girar durante o processo, por qualquer motivo, desligue a ferramenta imediatamente. Não reinicie a ferramenta no meio de um corte e não tente efetuar cortes parciais em uma peça.

AVISO: Guarde sempre o Extensor no Suporte de armazenamento do extensor (10), de modo que seja facilmente acessível, quando estiver operando a ferramenta.

AVISO: Esta ferramenta foi concebida para uso APENAS em fibras de madeira natural seca. Nunca use esta máquina em metais, plásticos, materiais laminados, compensados de MDF ou outros produtos sintéticos. Não tente aplainar madeiras muito curvas, se não fizerem um contato adequado com a mesa de alimentação.

AVISO: Assegure SEMPRE que a Placa deslizante de proteção (41) esteja cobrindo o Cabeçote de lâminas (2) até à parte traseira da Guia (15), no momento em que a Guia se projeta além do Cabeçote, durante a operação.

IMPORTANTE: Considere sempre o tipo de madeira e a condição da peça de trabalho, antes de começar a trabalhar com a máquina. Execute apenas cortes rasos em materiais mais duros ou materiais com superfícies mais duras.

Usando a Protetor

AVISO: Nunca utilize a ferramenta sem o protetor adequado no lugar ou corretamente ajustado.

Antes de fazer um corte, use os ajustadores no Braço do protetor (27) para posicionar a Protetor do tambor de lâminas (19) para cobrir qualquer parte do Cabeçote de lâminas (2) que fique exposta quando a peça estiver no lugar - ver Imagens A - D.

Aplainamento de Superfície

Veja a Imagem B.

- O aplainamento de superfície é feito para criar uma superfície plana em uma peça, como etapa preparatória para o aplainamento de espessura.

1. Ajuste a altura da mesa de alimentação (3) na profundidade de corte desejada.

IMPORTANTE: Quando estiver realizando um aplainamento de superfície, faça apenas cortes rasos para evitar contragolpes.

2. Ajuste a guia (15) em 90° (Ver 'Posicionamento da Guia').
3. Ligue a ferramenta
4. Posicione a peça de trabalho firmemente contra a Mesa de alimentação (3) e a Guia

5. Posição o Protetor do tambor de lâminas (19) - ver "Usando a Protetor".
6. Alimente a peça de trabalho completamente através da ferramenta de corte, ao mesmo tempo em que mantém uma pressão firme contra a Guia e as Mesas, durante todo o corte.
7. Repita o processo, se necessário, até atingir o acabamento desejado.

Junção de bordas

Veja a Imagem C.

- A junção de bordas é feita para produzir uma superfície verdadeiramente plana em toda a lateral de uma peça. É essencial fazer isto quando se criam peças retas ou na preparação de uma peça para acabamento ou união com outras.

1. Ajuste a altura da mesa de alimentação (3) para a profundidade de corte desejada.

IMPORTANTE: Quando estiver realizando uma junção de bordas, faça cortes rasos para evitar contragolpes.

2. Ajuste a guia (15) em 90° (Ver 'Posicionamento da Guia').
3. Ligue a ferramenta
4. Posicione a peça de trabalho firmemente contra a Mesa de alimentação e a Guia.
5. Posição o Protetor do tambor de lâminas (19) - ver "Usando a Protetor".
6. Alimente a peça de trabalho completamente através da ferramenta de corte, ao mesmo tempo em que mantém uma pressão firme contra a Guia e as Mesas, durante todo o corte.
7. Repita o processo, se necessário, até atingir o acabamento desejado.

Corte de Chanfros

Veja a Imagem D.

- Os cortes de chanfros são cortes angulares e podem ser criados posicionando-se a guia (15) no ângulo desejado e alimentando-se a peça na direção imposta pela guia. Este processo normalmente exige vários passes ou cortes, para produzir o acabamento desejado.

1. Ajuste a altura da mesa de alimentação (3) para a profundidade de corte desejada.

IMPORTANTE: Quando estiver realizando um corte de chanfro, faça cortes rasos para evitar contragolpes.

2. Ajuste a Guia no ângulo de corte desejado (Veja 'Posicionamento da Guia').
3. Posicione a peça de trabalho contra a Mesa de alimentação e Guia com o lado côncavo para baixo.
4. Ligue a ferramenta
5. Posição o Protetor do tambor de lâminas (19) - ver "Usando a Protetor".
6. Mantenha a pressão da peça de trabalho contra a Guia e Mesas, com a ponta do Bloco extensor (22) e empurre-a com o segundo Bloco extensor.
7. Repita o processo, até atingir o acabamento desejado.

Acessórios

- Seu revendedor Triton possui à disposição uma série de acessórios e consumíveis, incluindo máscaras respiratórias, extratores de pó e luvas à prova de corte.
- Peças de reposição podem ser obtidas através do site: www.toolsparsonline.com

Manutenção

⚠️ AVISO: Assegure-se de que a ferramenta está desconectada da fonte de alimentação, antes de instalar ou trocar acessórios, ou fazer quaisquer ajustes.

⚠️ AVISO: Use SEMPRESSE luvas adequadas, à prova de cortes, quando manusear o Cabeçote de lâminas (2) e seus subcomponentes.

- Esta ferramenta é fabricada com o uso de componentes de primeira linha e usa os circuitos inteligentes mais recentes para proteger a ferramenta e seus componentes. Sob uso normal, a ferramenta deve apresentar uma vida útil longa.

- As partes desta ferramenta que podem ser substituídas são:
 - I. As lâminas
 - II. A correia de acionamento
 - III. A correia auxiliar

Nota: As instruções de como trocar esses itens são fornecidas nesta seção do manual.

Inspeção Geral

- Verifique regularmente se todos os parafusos de fixação estão apertados.
- Inspeção o cabo de energia da ferramenta, antes de cada utilização, em busca de desgaste ou danos. Reparos devem ser realizados em um Centro de Serviços Autorizado da Triton. Esta orientação também se aplica a reparos nos cabos de alimentação elétrica da ferramenta.
- Caso você não tenha certeza de como realizar qualquer um dos procedimentos de manutenção descritos a seguir, NÃO tente. Ao invés disso, solicite a manutenção a um Centro de Serviços Autorizado da Triton.

Limpeza

⚠️ AVISO: Quando estiver limpando ou removendo entupimentos da ferramenta, assegure-se de que ela está desconectada da tomada de alimentação elétrica. Use sempre luvas à prova de cortes, durante procedimentos de limpeza ou desobstrução, pois a ferramenta possui bordas e componentes afiados.

- Mantenha sua ferramenta limpa o tempo todo. A sujeira e o pó produzem desgaste acelerado das peças internas e encurtam a vida útil da ferramenta. Limpe o corpo de sua ferramenta com uma escova macia ou pano seco. Se houver ar comprimido disponível, use-o para soprar a sujeira nas fendas de ventilação.
- Após o uso, aspire a ferramenta para remover cavacos de madeira, serragem e detritos.
- Remova a serragem, cavacos de madeira e graxa das correias, engrenagens e peças móveis.

- Limpe a caixa da ferramenta com um pano macio usando um detergente suave. Nunca use álcool, gasolina e agentes de limpeza fortes.
- Nunca use agentes cáusticos para limpar peças plásticas.

Substituição da Lâmina

⚠️ AVISO: Use SEMPRE luvas à prova de cortes quando manusear as lâminas (45).

IMPORTANTE: Use apenas lâminas especificamente concebidas para esta máquina.

1. Remova a capa da correia (5), com uma Chave inglesa de 4 mm (25) (Fig. XII).
2. Gire o Cabeçote de lâminas de modo que os quatro Parafusos da lâmina (42) fiquem expostos.
3. Remova os quatro Parafusos da lâmina (Fig. XIV)
4. Cuidadosamente, remova o Mordente da lâmina (43) e a Lâmina.
5. Troque a lâmina posicionando-a nos Parafusos de ajuste de alinhamento da lâmina (44) (Fig. XVII).
6. Insira os Parafusos da lâmina e realinhe a lâmina (Veja 'Alinhamento das Lâminas').
7. Repita para a segunda lâmina.

Substituição da Correia

Substituição da Correia Auxiliar

1. Deite a ferramenta na bancada, ou no chão, de modo que a base da ferramenta fique acessível.
2. Desparafuse e remova a tampa do fundo.
3. Solte, mas não remova os dois Parafusos sextavados da unidade de extração de pó (47), de modo que a unidade de extração possa se mover de um lado a outro.
4. Substitua a Correia auxiliar (48).
5. Ajuste a correia na tensão correta e reaperte os Parafusos sextavados.
6. Reinstale a tampa do fundo.

Substituição da Correia de Acionamento

1. Deite a ferramenta na bancada, ou no chão, de modo que a base da ferramenta fique acessível.
2. Desparafuse e remova a tampa do fundo.
3. Remova a Correia auxiliar (48) (Veja 'Substituição da Correia Auxiliar').
4. Solte, mas não remova os quatro Parafusos sextavados do motor (46), de modo que a unidade do motor possa se mover de um lado a outro.
5. Remova a Correia de acionamento (49).
6. Troque a Correia de acionamento.
7. Ajuste a correia na tensão correta e reaperte os Parafusos sextavados.
8. Reinstale a Correia auxiliar e a Tampa do fundo.

Lubrificação

- Lubrifique ligeiramente todas as peças móveis a intervalos regulares, usando um lubrificante aerossol adequado.
- Os rolamentos do motor e da cabeça de corte são selados na fábrica e não exigem lubrificação posterior.
- Componentes que requerem lubrificação regular:
 - o Rosca do botão de ajuste de profundidade de corte
 - o Suporte de deslizamento da guia
 - o Botão de bloqueio do ângulo da guia
 - o Botão de bloqueio da guia deslizante
 - o Mecanismo de ajuste do protetor
- Remova todos os resíduos de graxa dos demais componentes, usando um álcool mineral se necessário, e aplique uma camada de graxa multiuso de baixo grau (não incluída).
- As mesas de trabalho podem ser revestidas com uma camada fina de cera lubrificante (não incluída) para proteger as superfícies contra ferrugem e permitir a alimentação suave das peças de trabalho, durante a operação.

Escovas

- Com o tempo, as escovas de carbono do motor poderão ficar gastas.
- Escovas excessivamente gastas, podem causar perda de potência, falhas intermitentes, ou centelhamento visível.
- Caso suspeite que as escovas estejam gastas, leve-as para conserto a um Centro de Serviços Autorizado da Triton.

Armazenamento

- Guarde esta ferramenta com cuidado, em um lugar seguro e seco, fora do alcance de crianças.

Contato

Para obter orientações técnicas ou sobre reparos, ligue para o número da Assistência ao Cliente: (+44) 1935 382 222

Web: www.tritontools.com

Endereço (RU):

Toolstream Ltd.
Boundary Way
Lufton Trading Estate
Yeovil, Somerset
BA22 8HZ, Reino Unido

Endereço (UE):

Toolstream B.V.
Hogeweg 39
5301 LJ Zaltbommel
Países Baixos

Descarte

Cumpra sempre as leis nacionais ao descartar ferramentas elétricas que não funcionam mais e cujo reparo não é mais viável.

- Não descarte ferramentas elétricas, ou outros equipamentos elétricos e eletrônicos (WEEE) no lixo doméstico.
- Contate a autoridade local de eliminação de resíduos para saber o modo correto de descartar ferramentas elétricas.

Resolução de problemas

Problema	Possível causa	Solução
Nada funciona, quando o Interruptor ON/OFF (Liga/Desliga) (6) é acionado	Não há energia	Verifique a fonte de alimentação elétrica
	Interruptor ON/OFF com defeito	Leve a máquina a um Centro de Serviços Autorizado da Triton, para troca do interruptor ON/OFF.
Motor não inicia	As escovas de carbono estão gastas	As escovas precisam de substituição
Acabamento de superfície da peça ruim após o aplainamento	A profundidade de corte escolhida é muito grande	Reduza a profundidade de corte e trabalhe em vários passes
	Lâminas cegas (45)	Inverta ou troque as lâminas (Ver 'Substituição de Lâminas')
	Madeira úmida	Desligue imediatamente. Avalie o posicionamento correto das Lâminas (Veja 'Substituição de Lâminas').
Tambor não está girando	Correia do motor quebrada (49)	Consulte 'Substituição da Correia de Acionamento' e troque a correia
Vibração e ruído anormal	PARE de usar a ferramenta imediatamente	Verifique, novamente, se todas as peças acessíveis pelo usuário estão instaladas corretamente e firmes em seus lugares.
		Entre em contato com um Centro de Serviços Autorizado Triton

Garantia

Para registrar sua garantia, visite nosso site em tritontools.com* e cadastre suas informações.

Registro de compra

Data de compra: ___/___/___

Modelo: TSPL152

Retenha sua nota fiscal como comprovante de compra.

A Triton Precision Power Tools garante ao comprador deste produto que se qualquer peça estiver comprovadamente defeituosa devido a falhas de material ou mão de obra durante os próximos 3 anos a partir da data da compra original, Triton irá reparar ou, a seu critério, substituir a peça defeituosa sem custo. Esta garantia não se aplica ao uso comercial nem se estende ao desgaste normal ou a danos decorrentes de acidente, abuso ou uso indevido.

* Registre-se online dentro de 30 dias após a compra.

Termos e condições aplicáveis.

Isto não afeta seus direitos legais.

Tłumaczenie oryginalnej instrukcji

Wprowadzenie

Dziękujemy za zakup produktu marki Triton. Niniejsza instrukcja obsługi zawiera informacje niezbędne dla bezpiecznej i wydajnej obsługi produktu. Produkt posiada szereg unikalnych funkcji, dlatego nawet, jeśli jesteś zaznajomiony z podobnymi produktami, przeczytanie tego podręcznika jest niezbędne w celu pełnego zrozumienia instrukcji obsługi. Upewnij się, że wszyscy użytkownicy produktu przeczytali i w pełni zrozumieli instrukcję obsługi. Zachowaj tę instrukcję wraz z produktem do wykorzystania w przyszłości.

Opis symboli

Tabela znamionowa zawiera symbole dotyczące produktu. Stanowią one istotne informacje o produkcie lub instrukcje dotyczące jego stosowania.



Należy nosić środki ochrony słuchu
Należy nosić okulary ochronne
Należy nosić środki ochrony dróg oddechowych
Należy używać kasku ochronnego



Należy nosić rękawice ochronne



Należy w całości przeczytać instrukcję obsługi



NIE WOLNO korzystać z urządzenia w przypadku deszczu lub obecności wilgoci!



Należy zawsze odłączać urządzenie od zasilania elektrycznego, podczas regulacji, wymiany akcesoriów, czyszczenia, konserwacji oraz gdy nie jest w użytku!



OSTRZEŻENIE: Ruchome części mogą spowodować obrażenia ciała w postaci zmiężeń i ran ciętych



Nie wolno dotykać ostrzy, zanim maszyna nie zostanie wyłączona od zasilania, a ostrza całkowicie się zatrzymają



OSTRZEŻENIE: PODNOSZENIE CIĘŻKICH PRZEDMIOTÓW
Dźwiganie i przenoszenie ciężkich przedmiotów przez jedną osobę może spowodować obrażenia. Należy korzystać z pomocy drugiej osoby podczas przenoszenia lub podnoszenia.

OSTRZEŻENIE: Produkt ten jest ciężki, dwie osoby są wymagane do montażu urządzenia.



Konstrukcja klasy I (uziemiaenie ochronne)

Ochrona środowiska



Nie należy wyrzucać zużytych produktów elektrycznych wraz z odpadami komunalnymi. Jeśli jest to możliwe, należy przekazać produkt do punktu recyklingu. W celu uzyskania wskazówek dotyczących recyklingu należy skontaktować się z władzami lokalnymi lub sprzedawcą.



Urządzenie zgodne z odpowiednimi przepisami i normami bezpieczeństwa



Uwaga!



Bądź świadomy odrzutu!



Do użytku wyłącznie w pomieszczeniach!



Wymagany system odsysania pyłu

Kluczowe skróty techniczne

V	Wolt
~	Prąd przemienny
A, mA	Amper, milli-Amp
n ₀	Prędkość bez obciążenia
Nm	Niutonometry (moment obrotowy)
psi	Funt na cal kwadratowy
°	Stopnie
Hz	Herc
W, kW	Wat, kilowat
min ⁻¹	Działań na minutę
dB(A)	Poziom hałasu w decybelach (A mierzony)

Dane techniczne

Numer modelu:	TSPL152
Napięcie elektryczne:	220-240 V ~ 50/60 Hz
Moc:	1100 W
Bezpieczniki wtyczki (tylko dla GBR)	13 A
Prędkość bez obciążenia:	8000 min ⁻¹
Maksymalna głębokość strugania:	0-3,2 mm
Szerokość strugania:	0-152,4 mm
Rozmiar blatu:	771 x 250 mm
Zakres kąta prowadnicy:	45-135°
Średnica portu odsysania pyłu:	Średnica wewnętrzna: 50 mm Średnica zewnętrzna: 60 mm
Klasa ochrony:	⊕
Stopień ochrony:	IP20
Długość przewodu zasilającego:	2 m
Wymiary (dł. x szer. x wys.):	965 x 505 x 315 mm
Waga:	25,4 kg
W wyniku nieprzerwanego procesu rozwojowego produktów, dane techniczne poszczególnych produktów Triton mogą ulec zmianie bez uprzedniego powiadomienia.	
Parametry emisji dźwięku i wibracji	
Poziom ciśnienia akustycznego L _{PA} :	94,3 dB(A)
Poziom mocy akustycznej L _{WA} :	107,3 dB(A)
Niepewność pomiaru K:	3 dB(A)

Poziom natężenia dźwięku dla operatora może przekroczyć 85dB(A) dlatego konieczne jest zastosowanie środków ochrony słuchu.

⚠ OSTRZEŻENIE: Jeżeli poziom hałasu przekracza 85dB(A) należy zawsze stosować środki ochrony słuchu oraz ograniczyć czas narażenia słuchu na nadmierny hałas. Jeśli poziom hałasu powoduje dyskomfort, nawet w przypadku zastosowania środków ochrony słuchu, niezwłocznie przestań korzystać z narzędzia i sprawdź czy środek ochrony słuchu jest prawidłowo zamontowany i zapewnia odpowiedni poziom tłumienia dźwięku w odniesieniu do poziomu hałasu wytwarzanego przez narzędzie.

⚠ OSTRZEŻENIE: Narażenie użytkownika na wibracje narzędzia może spowodować utratę zmysłu dotyku, drętwienie, mrowienie i zmniejszenie zdolności uchwytu. Długotwałe narażenie może prowadzić do stanu przewlekłego. Jeśli jest to konieczne, ogranicz czas narażenia na wibracje i stosuj rękawice antywibracyjne. Nie korzystaj z urządzenia w trybie ręcznym w temperaturze niższej niż normalna komfortowa temperatura otoczenia, ponieważ zwiększy to efekt wywoływany przez wibracje. Skorzystaj z wartości liczbowych podanych w specyfikacji dotyczącej wibracji, aby obliczyć czas trwania i częstotliwość pracy z narzędziem.

⚠ OSTRZEŻENIE: Emisja drgań podczas rzeczywistego użytkownika elektronarzędzia może różnić się od podanej wartości całkowitej w zależności od sposobu używania narzędzia. Należy zidentyfikować i wprowadzić dodatkowe środki bezpieczeństwa, mające na celu ochronę operatora przed skutkami ekspozycji na drgania w konkretnych warunkach (trzeba wziąć pod uwagę także okresy, gdy urządzenie jest wyłączone, lub gdy jest wprawdzie włączone, ale nie jest używane do pracy).

Deklarowana wartość całkowita drgań została zmierzona zgodnie ze standardową metodą badania i może być wykorzystana do porównywania narzędzi. Deklarowana całkowita wartość drgań może być również wykorzystywana w celu przeprowadzenia wstępnej oceny narażenia.

Poziom hałasu i wibracji w specyfikacjach jest określony zgodnie z normami międzynarodowymi. Wartości te reprezentują korzystanie z urządzenia w normalnych warunkach roboczych. Niedbała konserwacja, nieprawidłowy montaż lub nieprawidłowe użytkowanie urządzenia mogą spowodować wzrost poziomu hałasu oraz wibracji. www.osha.europa.eu dostarcza informacji na temat poziomów hałasu i wibracji w środowisku pracy, które mogą być przydatne dla użytkowników prywatnych, korzystających z urządzenia przez długi czas.

Ogólne instrukcje dotyczące bezpieczeństwa użytkownika elektronarzędzia

⚠ OSTRZEŻENIE: Zawsze należy się stosować do podstawowych zasad korzystania z elektronarzędzi (w tym informacji na temat bezpieczeństwa ujętych w niniejszej instrukcji) podczas ich użytkowania dla zmniejszenia ryzyka pożaru, porażenia prądem obrażeń ciała. Należy przeczytać wszystkie instrukcje przed rozpoczęciem pracy oraz zachować ją na przyszłość.

⚠ OSTRZEŻENIE: Urządzenie nie jest przeznaczone do użytkowania przez osoby (w tym dzieci) o ograniczonej sprawności fizycznej lub umysłowej, lub o braku doświadczenia i wiedzy, chyba, że będą one nadzorowane lub zostaną poinstruowane na temat korzystania z urządzenia przez osobę odpowiedzialną za ich bezpieczeństwo. Należy pilnować, aby dzieci nie wykorzystywały urządzenia, jako zabawki.

UWAGA: Należy używać elektronarzędzia, akcesoriów oraz innych przyrządów zgodnie z tą instrukcją, biorąc pod uwagę warunki pracy oraz rodzaj pracy, który ma być wykonywany. Korzystanie z elektronarzędzi niezgodnie z ich przeznaczeniem może doprowadzić do niebezpiecznych sytuacji.

1 **Utrzymanie miejsca pracy w czystości** – Brak porządku sprzyja wypadkom

2 **Przemysłany obszar pracy**

- Nie wystawiać urządzeń na deszcz
- Nie korzystać z narzędzi w miejscach wilgotnych i mokrych
- Miejsce pracy powinno być dobrze oświetlone
- Nie używać narzędzi w obecności cieczy palnych lub gazów

3 **Ochrona przed porażeniem prądem elektrycznym** – Należy unikać kontaktu elementów uziemionych (jak np. grzejniki, kucharki, lodówki)

4 **Ochrona osób postronnych** – Nie wolno pozwolić osobom postronnym zwłaszcza dzieciom, na korzystanie z narzędzia, dotykaniu przedłużacza, ani zbliżanie się do miejsca pracy.

5 **Przechowywanie nieużywanych urządzeń** – Podczas niekorzystania z narzędzi, należy je przechowywać w suchym i bezpiecznym miejscu z dala od dzieci

6 **Nie przeciążanie urządzeń** – Zaleca się pracę w tempie dla lepszej eksploatacji i bezpieczeństwa pracy narzędzi.

7 **Korzystanie z odpowiednich narzędzi** – Nie wolno używać drobnych narzędzi do dużych prac, ani używać narzędzi nieprzeznaczonych do danych celów, np. korzystania z piły tarczowej do cięcia gałęzi lub pni

8 **Odpowiedni ubiór**

- Nie należy zakładać do pracy z elektronarzędziem luźnej odzieży ani biżuterii
- Należy nosić odpowiednie obuwie podczas pracy na zewnątrz.
- Nosić osłonę ochronną na długie włosy

9 **Korzystanie z środków ochrony**

- Należy nosić okulary ochronne
- Należy nosić środki ochrony dróg oddechowych

⚠ **OSTRZEŻENIE:** Brak odpowiednich środków ochrony może spowodować uszkodzenie ciała bądź doprowadzić do urazu.

10 **Podłączenie system ssącego** – Jeśli narzędzie jest wyposażone w króciec ssący do odsysania pyłu, należy się upewnić, że jest przyłączony i prawidłowo zamocowane do systemu ssącego

11 **Nie wolno ciągnąć przewodu zasilającego** – Nigdy nie należy szarpać przewodu zasilającego, w celu odłączenia go od gniazda. Należy utrzymywać go z dala od ciepła, oleju i ostrych krawędzi. Uszkodzony bądź splątany przewód zwiększa ryzyko porażenia prądem.

12 **Asekuracja** – Kiedy jest to możliwe należy użyć zacisków bądź imadła, zwiększa to komfort i bezpieczeństwo pracy operatora.

13 **Nie należy się wychylać** – Należy utrzymywać balans i równowagę ciała podczas pracy

14 – **Konserwacja narzędzi**

- Należy utrzymywać narzędzie w czystości i dobrze naostrzone. Zadbane narzędzia tnące z ostrymi krawędziami tnącymi rzadziej się zacinają i łatwiej nimi sterować
- Postępowanie zgodnie z instrukcjami smarowania i wymiany akcesoriów

- Należy systematycznie dokonywać kontroli przewodów zasilających w razie jakichkolwiek uszkodzeń należy je naprawić w autoryzowanym serwisie

- Należy systematycznie dokonywać kontroli przewodów przedłużających i wymienić w razie uszkodzenia

- Należy utrzymywać uchwyty w czystości

⚠ **OSTRZEŻENIE:** Wiele wypadków zostało spowodowanych przez niewłaściwą ich konserwację.

15 **Odłączanie narzędzie z zasilania** – Podczas niekorzystania z elektronarzędzia, przed oddaniem do naprawy, podczas wymiany akcesoriów, ostrzy i innych oprzyrządzenia zawsze należy odłączyć elektronarzędzie od zasilania.

⚠ **OSTRZEŻENIE:** Korzystanie z akcesoriów i innego wyposażenia niezalecanego przez producenta może spowodować ryzyko powstania obrażeń

16 **Usunięcie kluczy regulacyjnych** – Przed włączeniem zasilania zawsze należy się upewnić o usunięciu kluczy z urządzenia.

17 **Unikanie przypadkowego włączenia** – Zawsze należy się upewnić, że przełącznik zasilania jest w pozycji "off" podczas podłączenia do gniazda sieciowego lub włożeniu akumulatora, bądź podczas podnoszenia lub przenoszenia elektronarzędzia

⚠ **OSTRZEŻENIE:** Niezamierzony uruchomienie urządzenia może spowodować poważne obrażenia.

18 **Używanie przedłużaczy na zewnątrz tylko do tego przeznaczonego** – Podczas korzystania z elektronarzędzia na zewnątrz należy używać przedłużaczy przeznaczonych specjalnie do stosowania na dworze, co zmniejsza ryzyko porażenia prądem

19 **Zachowanie czujności**

- Należy uważać na to się robi, nie wolno korzystać z elektronarzędzia, gdy jest się zmęczonym
- Nie wolno korzystać z urządzenia będąc pod wpływem środków odurzających bądź leków

⚠ **OSTRZEŻENIE:** Chwila nieuwagi podczas użytkowania elektronarzędzia może spowodować poważne obrażenia ciała.

20 **Sprawdzanie uszkodzonych części**

- Przed dalszym korzystaniem z urządzenia należy się upewnić o poprawności ich działania
- Należy sprawdzić ustawienie ruchomych części, ich oprawy, pęknięć montażu oraz wszelkich innych warunków, które mogą mieć wpływ na jego działanie
- Osłona lub inne części, które zostały uszkodzone powinny zostać naprawione lub wymienione przez autoryzowany serwis, chyba, że zaznaczono inaczej w niniejszej instrukcji
- Uszkodzone przełączniki należy wymienić w autoryzowanym centrum serwisowym

⚠ **OSTRZEŻENIE:** Nie wolno korzystać z urządzenia, jeśli przełącznik on/off nie działa prawidłowo. Przełącznik musi zostać naprawiony przed dalszym użyciem narzędzia.

21 **Naprawa urządzenia przez wykwalifikowaną osobę** – Niniejsze elektronarzędzie jest zgodne z odpowiednimi normami i zasadami bezpieczeństwa. Naprawa powinna mieć miejsce tylko u wykwalifikowanej osoby, w przeciwnym razie może to spowodować niebezpieczeństwo podczas użytkowania

⚠ **OSTRZEŻENIE:** Podczas serwisowania należy używać wyłącznie autoryzowanych części zamiennych.

⚠ OSTRZEŻENIE: Jeśli przewód zasilający jest uszkodzony musi zostać wymieniony przez producenta lub autoryzowane centrum serwisowe.

22 **Dopasowane wtyczki zasilające do gniazda sieciowego** - Nigdy nie wolno modyfikować wtyczki w jakikolwiek sposób, ani stosować żadnych przejściówek z uziemieniem uziemionych elektronarzędzi). Oryginalne i pasujące wtyczki zmniejszają ryzyko porażenia prądem.

23 **Podczas korzystania z urządzenia na zewnątrz należy korzystać z wyłącznika różnicoprądowego (RCD)** – Korzystaj z wyłącznika RCD co zmniejszy porażenie prądem

UWAGA: Określenie "wyłącznika RCD" może zostać zastąpione przez termin "obwód doziemny" (GFCI) lub wyłącznik różnicowy (ELCB)

24 **W przypadku korzystania z urządzenia w Australii lub Nowej Zelandii, zalecane jest zasilanie urządzenia TYLKO z wykorzystaniem wyłącznika różnicowoprądowego (RCD) o znamionowym prądzie różnicowym nieprzekraczającym 30 mA**

25 **Użyj odpowiedniego przedłużacza. Upewnij się, że przedłużacz jest w dobrym stanie.** Używając przedłużacza, upewnij się, że używasz przedłużacza wystarczająco solidnego, aby utrzymać prąd pobierany przez produkt. Zbyt mały przewód spowoduje spadek napięcia w sieci, co spowoduje utratę mocy i przegrzanie.

26 **Nigdy nie należy pozostawiać urządzenia uruchomionego bez nadzoru. Wyłącz urządzenie.** Nie pozostawiaj maszyny dopóki kompletnie się nie zatrzyma.

Nawet przy stosowaniu zgodnie z zaleceniami nie jest możliwe wyeliminowanie wszystkich szczytkowych czynników ryzyka. Używaj ostrożnie. Jeśli nie jesteś pewny, co do prawidłowego i bezpiecznego korzystania z danego narzędzia, nie należy go używać.

⚠ OSTRZEŻENIE: Przed podłączeniem narzędzia do źródła zasilania (gniazda zasilania wyłącznika sieciowego, sieci itp.) należy upewnić się, że napięcie zasilania jest takie samo, jak podano na tabliczce znamionowej urządzenia. Źródło zasilania o napięciu większym niż napięcie określone dla narzędzia może spowodować poważne obrażenia użytkownika oraz uszkodzenie narzędzia. W przypadku wątpliwości nie podłączaj urządzenia do danego źródła zasilania. Korzystanie ze źródła zasilania o napięciu mniejszym niż napięcie określone na tabliczce znamionowej jest szkodliwe dla silnika.

Bezpieczeństwo korzystania z narzędzi tnących

⚠ OSTRZEŻENIE: Przed podłączeniem narzędzia do źródła zasilania (gniazda zasilania wyłącznika sieciowego, sieci itp.) należy upewnić się, że napięcie zasilania jest takie samo, jak podano na tabliczce znamionowej urządzenia. Źródło zasilania o napięciu większym niż napięcie określone dla narzędzia może spowodować poważne obrażenia użytkownika oraz uszkodzenie narzędzia. W przypadku wątpliwości nie podłączaj urządzenia do danego źródła zasilania. Korzystanie ze źródła zasilania o napięciu mniejszym niż napięcie określone na tabliczce znamionowej jest szkodliwe dla silnika.

Użytkowanie odpowiedniego narzędzia tnącego

- Należy się upewnić, że narzędzie tnące jest odpowiednie do danej pracy. Nie wolno zakładać, że narzędzie jest odpowiednie bez sprawdzenia dokumentacji produktu przed zastosowaniem

Ochrona oczu

- Zawsze należy nosić odpowiednie środki ochrony oczu podczas korzystania z narzędzi tnących
- Okulary do czytania nie zapewniają żadnej ochrony podczas korzystania z narzędzia; zwykłe soczewki nie są odporne na uderzenia i mogą ulec zniszczeniu

Ochrona słuchu

- Zawsze należy nosić odpowiednie środki ochrony słuchu podczas korzystania z narzędzi, których poziom natężenia dźwięku może przekroczyć 85dB
- Ochrona dróg oddechowych
- Należy się upewnić o własnym oraz osób przebywających wokół o posiadaniu odpowiednich środków ochrony dróg oddechowych

Świadomość innych osób przebywających wokół

- Obowiązkiem operatora jest upewnić się o nie narażeniu osób znajdujących się w pobliżu obszaru roboczego na hałas lub kurz i wyposażeńiu ich w odpowiedni sprzęt ochronny

Ukryte przedmioty

- Należy sprawdzić przedmiot roboczy i usunąć wszystkie gwoździe i inne objekty osadzone w przedmiocie przed rozpoczęciem cięcia
- Nie wolno ciąć przedmiotu, który posiada osadzone objekty, wyjątkiem są narzędzia, które nadają się do takiej pracy
- Ściany mogą ukrywać okablowanie, rury odpływowe, panele nadwozia przewody paliwowe, zaś wysoka trawa kamienie i szkło. Należy, więc zawsze przed rozpoczęciem pracy dokładnie sprawdzić obszar roboczy.

Świadomość wyrzucanych odpadów

- W niektórych sytuacjach materiały odpadowe mogą być wyrzucane z szybkością narzędzia tnącego. Odpowiedzialnością użytkownika jest upewnić się, że osoby znajdujące się w pobliżu miejsca pracy są chronione przed tymi odpadami.

Montaż akcesoriów tnących

- Należy się upewnić, że narzędzie tnące zostało prawidłowo zamontowane, a klucze i inne regulatory zostały usunięte przed rozpoczęciem pracy
- Należy używać tylko zalecanych akcesoriów dla danego urządzenia
- Nie wolno podejmować prób modyfikacji narzędzi skrawających
- Upewnij się, że noże są wystarczająco ostre, w dobrym stanie i odpowiednio zamontowane
- Nie próbuj ostrzyć noży, jeśli nie są do tego nie nadają, ostrzenie dotyczy noży specjalnie hartowanych bądź wykonanych z hartowanego stopu np. zawierających wolfram
- Noże, które nadają się do ostrzenia, powinny być ostrzone zgodnie z instrukcjami producenta. Może to dotyczyć ograniczonej liczby naostrzenia
- Ostrzone noże, powinny być częściej sprawdzane przed użyciem i natychmiastowo wymienione, w przypadku wątpliwości, co do ich stanu i użyteczności

- W przypadku osadzenia się noża w materiale podczas użycia, do którego nie został przeznaczony, należy go natychmiast wymienić

Kierunek wprowadzania materiału

- Należy wprowadzać materiał w stronę ostrza/tarczy w kierunku przeciwnym do ruchu ostrza

Uwaga na emisję ciepła

- Narzędzia tnące i obrabiane przedmioty nagrzewają się podczas użytkowania. Nie wolno dokonywać próby wymiany narzędzia do jego całkowitego ostygnięcia

Kontrola odpadów

- Nie wolno dopuścić do spiętrzania się kurzu i materiału odpadowego. Trociny są zagrożeniem pożarowym, zaś niektóre metalowe opiłki są wybuchowe
- Należy zachować szczególną ostrożność podczas cięcia drewna i metalu. Wydobytą iskry w trakcie cięcia elementów metalowych są częstą przyczyną pożarów pozostałych trocin i innych odpadów drewnianych
- W miarę możliwości należy używać systemu odsysania pyłu w celu zapewnienia bezpiecznego środowiska pracy

Bezpieczeństwo korzystania ze strugarki stołowej

⚠ **OSTRZEŻENIE:** Nigdy nie używaj narzędzia bez odpowiedniej osłony lub prawidłowo ustawionej.

⚠ **OSTRZEŻENIE:** Każda część bloku tnącego, która nie jest używana do strugania, powinna być chroniona.

⚠ **OSTRZEŻENIE:** Podczas strugania wąskich elementów, w celu zapewnienia bezpiecznej pracy, mogą być konieczne dodatkowe środki, takie jak użycie poziomych urządzeń ciśnieniowych.

⚠ **OSTRZEŻENIE:** Narzędzia do strugania nie powinny być używane do cięcia przyłgi, wnęki, czopu lub formy

- **Korzystaj z odpowiednich masek przeciwpyłowych:** Użycie nieinhalacyjnego urządzenia, może emitować pył zawierający chemiczne substancje, które mogą być przyczyną raka, wad wrodzonych oraz zaburzeń procesu reprodukcyjnego. Niektóre rodzaje drewna mogą zawierać substancje konserwujące, jak np. arsenian chromu miedzi (CCA), który może okazać się toksyczny. Podczas szlifowania i wiercenia, bądź cięcia, należy zachować szczególną ostrożność, w celu uniknięcia wdychania oraz zminimalizowania kontaktu ze skórą.

- **Używaj wyłącznie ostrych noży.** Uważaj podczas przenoszenia noży, zakładaj rękawice odporne na przecięcia.

⚠ **OSTRZEŻENIE:** Nie używaj noży, które są tępe, gdyż zwiększa to ryzyko odrzutu.

- **Upewnij się, że wszelkie tkaniny, przewody, szmatki oraz podobne elementy zostały usunięte z obszaru pracy.** W celu uniknięcia wciągnięcia tych materiałów w mechanizm maszyny.

- **Pozwól, aby urządzenie osiągnęło swoją pełną prędkość, przed zetknięciem się z materiałem obróbki i rozpoczęciem cięcia.**

- **Przed rozpoczęciem jakichkolwiek regulacji, czyszczenia, przenoszenia, bądź konserwacji należy ZAWSZE wyłączyć urządzenie i odczekać, aż noże całkowicie się zatrzymają.**

- **Wymieniaj wszystkie noże w tym samym czasie, w przeciwnym wypadku, rezultat braku równowagi, spowoduje wibracje i skróci czas eksploatacji maszyny oraz noży**

- **Nie próbuj wykonywać cięć, które nie zostały opisane przez producenta.** Cięcia zatrzymywane, wgłębienia, czopy, formowanie, bądź struganie mocno pochylonego drewna nie jest dozwolone tym narzędziem.
- **Nie korzystaj ze strugarki, jeśli nie została przymocowana do stabilnej powierzchni.** Bez odpowiedniego mocowania strugarki, maszyna może zostać przesunięta podczas pracy, potencjalnie powodując obrażenia ciała operatora.
- **Należy zawsze trzymać popychacz obok blatu wprowadzania materiału podczas pracy.** Korzystaj z popychacza podczas wprowadzania przedmiotu obróbki, gdy są w bliskim sąsiedztwie ostrza i obrabianego materiału, bądź, kiedy grubość ostrza jest mniejsza niż 75 mm.
- **Nie próbuj strugać wygiętego materiału, jeśli nie ma odpowiedniego kontaktu z blatem wprowadzania materiału**
- **Podczas przenoszenia urządzenia, należy chwycić za jej uchwyty do przenoszenia (nie za uchwyt roboczy) i upewnić się, że narzędzie jest zablokowane w pozycji złożonej**

Zapobieganie efektowi odrzutu

Uwaga: Odrzut to gwałtowna reakcja narzędzia na zaklinowanie, zablokowanie lub przemieszczenie ostrza piły, powodujące podniesienie i wyrzucenie bezwładnej piły z przedmiotu obróbki w stronę operatora. Może także pociągnąć dłoń użytkownika w stronę tarczy tnącej, powodując poważne obrażenia.

⚠ **OSTRZEŻENIE:** Odrzut jest efektem niewłaściwego użytkowania piły i nieprzestrzegania właściwych procedur lub warunków obsługi urządzenia, któremu można zapobiec w następujący sposób:

- NIGDY nie wolno próbować ciąć nożem, który jest zużyty, bądź wygięty. ZAWSZE się upewnij, iż ostrze jest kompatybilne z ciekłym materiałem.**
- ZAWSZE należy pamiętać o równoległym ustawieniu prowadnicy w stosunku do tarczy tnącej.** Prowadnica przechyla się do środka w kierunku tarczy tnącej, obrabiany przedmiot może się stykać z tylną krawędzią ostrza i zostać wyrzucony w kierunku użytkownika w niekontrolowany sposób.
- Należy zachować szczególną OSTROŻNOŚĆ podczas cięcia dużych elementów.** Upewnij się, że duże przedmioty zostało odpowiednio zabezpieczone przy wprowadzaniu i wyprowadzaniu materiału.
- NIE WOLNO ciąć okrągłych elementów, które nie mogą płasko leżeć na blacie.** Unikaj obrabiania skęczonego, zniekształconego, bądź sękatego drewna.
- NIE WOLNO ciąć mokrego drewna, gdyż powoduje ono większe tarcie dla tarczy.** Mokry pył, może się zbierać na tarczy, zwiększając prawdopodobieństwo odrzutu.
- ZAWSZE należy zachować solidny uchwyt na obrabianym przedmiocie obiema rękoma, ustawiając swoje ramiona w taki sposób, aby przeciwdziałać odrzutowi.**
- Ustaw się z dala od tarczy tnącej, najlepiej po drugiej stronie tarczy, jednakże nie stojąc równo w linii z tarczą.**
- NIE WOLNO wycofywać elementu obróbki podczas cięcia.** Jeśli musisz niepodzielnie zaprzestać pracę, należy najpierw wyłączyć pilarkę, a następnie wyjąć przedmiot z tarczy tnącej, po tym jak całkowicie się zatrzyma.
- ZAWSZE korzystaj z popychacza bądź innych elementów w celu naprowadzenia materiału.** Skorzystaj z grzebieni dociskowych do przytrzymania przedmiotu obróbki, kiedy tylko to jest możliwe.

Przedstawienie produktu

1. Błat odprowadzania materiału
2. Bęben tnący
3. Błat wprowadzania materiału
4. Otwory montażowe osłony
5. Osłona pasa
6. Przełącznik ON/OFF
7. Pokrętko regulacji głębokości cięcia
8. Otwory montażowe do blatu
9. Przewód zasilania
10. Uchwyt do przechowywania popychacza
11. Mocowanie wspornika przewodnicy
12. Gumowe nóżki
13. Port odsysania pyłu
14. Popychacz
15. Przewodnica
16. Wspornik montażowy przewodnicy
17. Płytki blokady przewodnicy
18. Wspornik posuwu przewodnicy
19. Osłona bębna tnącego
20. Uchwyt blokujący kąt przewodnicy
21. Uchwyt blokujący posuw przewodnicy
22. Błoczki prowadzące
23. Klucz imbusowy 6 mm
24. Klucz imbusowy 5 mm
25. Klucz sześciokątny 4 mm
26. Uchwyty
27. Ramie osłony
28. Klucz (10 x 12 mm)
29. Podkładka sprężysta 8 mm
30. Podkładka płaska 8 mm
31. Przekładka 10 mm
32. Podkładka sprężysta 6 mm
33. Nakrętka M6 x 10 mm
34. Śruba sześciokątna M8 x 30 mm
35. Śruba sześciokątna M8 x 20 mm
36. Śruba 13 x 20 mm
37. Śruba sześciokątna M6 x 25 mm
38. Zewnętrzna śruba zderzakowa
39. Wewnętrzna śruba zderzakowa
40. Przesuwany błoczek zatrzymania
41. Przesuwana płyta ochronna
42. Śruba ostrza
43. Zacisk ostrza
44. Śruba regulacyjna ustawienia ostrza
45. Ostrze
46. Śruba sześciokątna jednostki silnikowej
47. Śruba sześciokątna jednostki odsysania pyłu
48. Pas pomocniczy
49. Pas napędowy

Zastosowanie zgodne z przeznaczeniem

Urządzenie zasilane sieciowo, montowane na blacie, strugarka 152 mm z regulowaną przewodnicą, przeznaczona do strugania materiału o szerokości do 152 mm. Narzędzie do obróbki drewna wyłącznie o lekkim stopniu zaawansowania.

Urządzenie może być wykorzystane TYLKO do zastosowań zgodnych z jego przeznaczeniem. Jakikolwiek inne użycie niż te wymienione w niniejszej instrukcji, będzie uważane za przypadek nadużycia. Użytkownik, a nie producent, ponosi odpowiedzialność za jakiegokolwiek uszkodzenia lub szkody powstałe w wyniku niepoprawnego użytkowania. Producent nie ponosi odpowiedzialności za jakiegokolwiek modyfikacje narzędzia ani za szkody powstałe w wyniku próby modyfikacji.

Urządzenie nie jest przeznaczone do komercyjnego użytku.

Rozpakowanie narzędzia

- Ostrożnie rozpakuj i sprawdź narzędzie. Zapoznaj się ze wszystkimi mechanizmami i funkcjami
- Upewnij się, że narzędzie zawiera wszystkie części i są one w dobrym stanie. Jeśli brakuje pewnych części lub są one uszkodzone, należy uzupełnić lub wymienić je przed rozpoczęciem korzystania z narzędzia

Przygotowanie

⚠️ OSTRZEŻENIE: ZAWSZE należy pamiętać, aby odłączyć urządzenie od źródła zasilania przed przenoszeniem, jakimikolwiek regulacjami, inspekcją, konserwacją bądź czyszczeniem maszyny.

⚠️ OSTRZEŻENIE: ZAWSZE należy nosić odpowiednie rękawice ochronne odporne na przecięcia podczas obsługi rolek powyższego urządzenia bądź podobnych elementów.

Zasady bezpiecznej pracy powyższym urządzeniem

- Należy odłączyć maszynę od źródła zasilania za każdym razem przed przeprowadzaniem regulacji bądź wymianą części
- Upewnij się, że włącznik ON/OFF (6) znajduje się w pozycji 'off' przed podłączeniem urządzenia do źródła zasilania
- Trzymać kończyny z daleka od poruszających się elementów maszyny
- Nosić maskę przeciwpyłową oraz okulary ochronne podczas obsługi powyższego urządzenia
- Upewnij się, że wszystkie części ruchome swobodnie się poruszają i nie wpadają w żadne zakłócenia
- Noże powinny być odpowiednio naostrzone, wyrównane i prawidłowo zabezpieczone do głowicy tnącej
- Nigdy nie wolno uruchamiać urządzenia, kiedy obrabiany materiał jest w kontakcie z nożami
- Za każdym razem, kiedy urządzenie nie jest w użyciu, należy je wyłączyć i odłączyć od źródła zasilania
- Należy utrzymywać urządzenie w dobrym stanie. Postępować zgodnie z instrukcjami dotyczącymi konserwacji (patrz 'Konserwacja')
- Nie wolno przeprowadzać częściowych cięć materiału – należy pozwolić strugarce na całkowitą obróbkę

- Urządzenie nie jest przeznaczona do wykonywania cięć wgłębnych, stożkowych i innych kształtów formujących materiał
- Zwróć uwagę na kierunek obrotów ostrza wskazany na narzędziu

Mocowanie do blatu

- Przy użyciu otworów montażowych (8), przymocuj urządzenie do stabilnej płaskiej powierzchni, korzystając ze śrub, nakrętek sześciokątnych oraz podkładek blokujących (brak w komplecie).

Montaż prowadnicy

Mocowanie wspornika montażowego prowadnicy

1. Ustaw wspornik montażowy prowadnicy (16) z mocowaniem wspornika prowadnicy (11) i przymocuj korzystając z 2 x M8 x 20 mm śrub sześciokątnych (35) i klucza imbusowego 6 mm (23) (rys. I)
2. Umieść płytkę prowadnicy (17) we wsporniku montażowym prowadnicy. Ustaw tak, aby dwa kołki przylegały do dolnej krawędzi wspornika montażowego prowadnicy
3. Zablockuj płytkę blokady prowadnicy korzystając z uchwyty blokującego prowadnicę przesuwaną (21) oraz klucza 10 mm (31) (rys. II).

Mocowanie prowadnicy oraz wspornika posuwu prowadnicy

1. Przymocuj prowadnicę (15) do wspornika posuwu prowadnicy (18) korzystając ze śrub sześciokątnych M6 x 25 mm (37), 6 mm podkładowi sprężystej (31) oraz 5 mm klucza imbusowego (24) (rys. III)
2. Wsuń prowadnicę oraz wspornik posuwu we wpusty wspornika montażowego prowadnicy (16) oraz płytki blokady prowadnicy (rys. IV)
3. Wsuń uchwyt blokujący kąt prowadnicy (20) w przekładkę 10 mm (30) oraz element montażowe prowadnicy i przykręć w lewo, aby dokręcić (rys. V)

Uwaga: Zarówno uchwyt blokujący kąt prowadnicy (20) oraz uchwyt blokujący posuw prowadnicy (21) posiadają indywidualną regulację sprężynową, co oznacza, że uchwyty można obracać niezależnie od pręta. Odbywa się to poprzez pociąganie za uchwyty, obracanie, a następnie zwalnianie. Ta funkcja może być używana, gdy uchwyty nie mogą zostać obrócone z powodu częściowego zakłócenia zespołu montażowego maszyny.

Mocowanie osłony bębna

1. Przymocuj osłonę bębna tnącego (19) do ramienia osłony (27) korzystając z dwóch nakrętek M6 x 10 mm (33) oraz dwóch kluczy 10 mm (1 x klucz 10 mm (28)) (rys.VI)
2. Przymocuj zespół montażowy osłony do otworów montażowych strugarki (4) korzystając z dwóch śrub 13 x 20 mm (36), 2 x 8 mm podkładek sprężystych (29) oraz 12 mm klucza (28) (rys. VII)

Mocowanie uchwytów do przenoszenia

1. Przymocuj uchwyty (26) korzystając ze śrub sześciokątnych M8 x 30 mm (34), podkładek sprężystych (29), podkładek płaskich 8 mm (30) oraz klucza imbusowego 6 mm (23) (rys. VIII)

Odsysanie pyłu

- Odpowiedni system odsysania pyłu jest niezbędny dla bezpiecznego miejsca pracy; drobne włókna wytwarzane podczas operacji strugania mogą być niebezpieczne dla zdrowia. Podczas obsługi urządzenia zawsze zakładaj maskę przeciwpyłową.
- Zewnętrzne urządzenia do odsysania pyłu można przymocować do urządzenia za pośrednictwem portu odsysania pyłu (13)

Kalibracja blatu

1. Umieść poziomicę (brak w zestawie), bądź podobny przyrząd, płasko na blacie odprowadzania materiału (1) nad bębnem tnącym (2) (Zdjęcie A)
2. Obróć pokrętło regulacji głębokości cięcia (7) w prawo, aby podnieść blat wprowadzania materiału (3) (obniżyć głębokość cięcia), bądź w lewo, aby obniżyć blat (zwiększyć głębokość cięcia), wyrównaj blat wprowadzania i odprowadzania materiału do odczytu na 0 mm

Ustawienie prowadnicy

⚠ OSTRZEŻENIE: ZAWSZE należy się upewnić, że przesuwana płyta ochronna (41) zakrywa bęben tnący (2) aż po tylną część prowadnicy (15) kiedy prowadnica wystaje ponad bęben podczas pracy.

1. Prowadnica (15) może być regulowana, w celu dostosowania do kształtu materiału obróbki
2. Kąt prowadnicy może być regulowany pomiędzy 45° wewnątrz do 45° na zewnątrz
3. Dostępne są 3 pozycje blokowania, które wykorzystują ograniczniki 45° do wewnątrz, 45° na zewnątrz i 90°
4. Do precyzyjnych pomiarów zaleca się korzystanie z kątomierza, aby sprawdzić żądany kąt prowadnicy

Ustawienie prowadnicy na 90°

1. Umieść prowadnicę (15) na strugarce stołowej i przykręć przy użyciu uchwytu blokującego posuw prowadnicy (21)
2. Odkręć uchwyt blokujący kąt prowadnicy (20)
3. Przesuń przesuwny bloczek zatrzymania (40) przez podniesienie pokrętła i przesunięcie w kierunku prowadnicy (rys. IX)
4. Ustaw prowadnicę tak, aby bloczek zatrzymania dotykał magnetycznej tylnej części prowadnicy
5. Przesuń przesuwaną płytkę ochronną (41) nad odkrytym bębnem ostrza (2) na tył prowadnicy
6. Po dokonaniu ustawienia przykręć uchwyt blokujący kąt prowadnicy

Ustawienie kąta prowadnicy na 45° do wewnątrz

1. Umieść prowadnicę (15) na strugarce stołowej i przykręć przy użyciu uchwytu blokującego posuw prowadnicy (21)
2. Odkręć uchwyt blokujący kąt prowadnicy (20)
3. Zdejmij przesuwny bloczek zatrzymania (40), aby zapobiec ingerencji w ustawieniu prowadnicy
4. Pochyl górę wnętrza prowadnicy dopóki nie dotknie wewnętrznej śruby zderzakowej (39) (rys. X)
5. Przesuń przesuwaną płytkę ochronną (41) nad odkrytym bębnem ostrza (2) na tył prowadnicy
6. Po dokonaniu ustawienia przykręć uchwyt blokujący kąt prowadnicy

Ustawienie kąta prowadnicy na 45° do zewnątrz

1. Umieść prowadnicę na strugarce stołowej i przykręć przy użyciu uchwyty blokującego posuw prowadnicy (21)
2. Odkręć uchwyt blokujący kąt prowadnicy (20)
3. Zdejmij przesuwny bloczek zatrzymania (40), aby zapobiec ingerencji w ustawieniu prowadnicy
4. Pochyl górę prowadnicy z zewnątrz dopóki nie dotknie zewnętrznej śruby zderzakowej (38) (rys. XI)
5. Przesuń przesuwając płytkę ochronną (41) nad odkrytym bębnem ostrza (2) na tył prowadnicy
6. Po dokonaniu ustawienia przykręć uchwyt blokujący kąt prowadnicy

Ustawienie noży skrawających

⚠️ OSTRZEŻENIE: Nigdy nie dotykaj krawędzi tnącej ostrza (45), ponieważ jest niezwykle ostra.

Uwaga: Ostrza zostały wyregulowane fabrycznie i nie powinny wymagać żadnej regulacji przed pierwszym użyciem. Jednak ostrza mogą się poprzesuwać podczas transportu i przenoszenia, zatem zawsze powinny być sprawdzane przed użyciem w celu dokładnego cięcia.

Ustawienie noży

1. Ustaw prostą krawędź na blacie odprowadzania materiału (1) nad bębнем ostrza (2)
2. Wykręć wkręt osłony pasa oraz samą osłonę (5) korzystając z klucza sześciokątnego 4 mm (25) (rys. XII)
3. Obróć bęben tnący za pomocą odkrytego pasa (49) (rys. XIII)
4. Ostrze (45) powinno wyłącznie dotykać prostej krawędzi, kiedy bęben jest obracany
5. Jeśli ostrze nie dotyka prostej krawędzi, bądź ciągnie prostą krawędź, noże wymagają regulacji
6. Sprawdź wysokość noży po obu stronach, aby sprawdzić, czy jest wypoziomowany od jednej do drugiej strony

Wyrównanie noży

1. Przekręć bęben tnący (2) tak, aby był łatwy dostęp do czterech wkrętów bębna (42)
2. Odkręć cztery wkręty mocujące noże korzystając z klucza sześciokątnego 4 mm (25) (rys. XIV)
3. Obróć bęben tnący, tak aby uzyskać łatwy dostęp do śruby regulacyjnej ustawienia ostrza (44) (rys. XV)
4. Z prostą krawędzią na miejscu nad bębнем tnącym na blacie odprowadzania materiału (1), obróć śrubę regulacji ostrza, aż ostrze (45) zetknie się z krawędzią prostą, gdy bęben zostanie obrócony (rys. XVIII)
5. Powtórz czynność z drugą śrubą regulacyjną, aby się upewnić, że ostrze jest wypoziomowane z każdej strony
6. Po wyrównaniu noży, przykręć cztery wkręty mocowania noża i powtórz czynności wyrównywania noża na drugim ostrzu

Przenoszenie

- Podczas transportu lub przechowywania urządzenia, upewnij się, że osłona noża (19) jest umieszczona nad głowicą nożową, a wszystkie blokady skosu i regulacji są bezpiecznie osadzone na miejscu
- Używaj tylko uchwytów (26) do podnoszenia i transportu maszyny
- Jeśli urządzenie jest przymocowane do ławki lub podpory, upewnij się, że elementy mocujące zostały usunięte, a frezarka może się swobodnie poruszać
- Jeśli urządzenie jest przymocowane do przenośnej płyty, upewnij się, że płyta jest odpięta od stołu warsztatowego lub wspornika, aby frezarka mogła się swobodnie poruszać
- Podczas przenoszenia lub transportu urządzenia zawsze trzymaj ją w pozycji pionowej

Obsługa

⚠️ OSTRZEŻENIE: Należy ZAWSZE nosić odpowiednie wyposażenie ochronne, w tym okulary ochronne, nauszники przeciwhałasowe, maskę przeciwpyłową podczas pracy powyższym urządzeniem.

⚠️ OSTRZEŻENIE: ZAWSZE należy się upewnić, że urządzenie jest wyłączone i odłączone od zasilania przed dokonaniem jakichkolwiek regulacji.

WAŻNE: Należy zawsze sprawdzić urządzenie przed każdym użyciem. Przed podłączeniem maszyny do zasilania sieciowego, sprawdź osłony i prawidłowe funkcje bezpieczeństwa narzędzia.

WAŻNE: Upewnij się, że operator ma odpowiednie przeszkolenie w obsłudze, regulacji i konserwacji urządzenia przed podłączeniem go do zasilania sieciowego i uruchomieniem.

⚠️ OSTRZEŻENIE: ZAWSZE upewnij się, że narzędzie jest odłączone od zasilania przed dostosowaniem lub zmianą części narzędzia. Obserwuj kierunek obrotu ostrza i porównaj z właściwym kierunkiem obrotu narzędzia.

Regulacja głębokości cięcia

⚠️ OSTRZEŻENIE: ZAWSZE należy się upewnić, że urządzenie jest wyłączone i odłączone od zasilania przed dokonaniem jakichkolwiek regulacji głębokości cięcia. NIGDY nie wolno przeprowadzać jakichkolwiek regulacji i ustawień, kiedy urządzenie jest uruchomione.

WAŻNE: Zakres cięcia powyższego urządzenia, został wyodrębniony w danych technicznych i powinien być ściśle przestrzegany.

1. Aby dokonać regulacji głębokości cięcia przekręć pokrętło regulacji głębokości cięcia (7) w lewo, aby zwiększyć głębokość cięcia, zaś w prawo, aby zmniejszyć (rys. XVI)
2. Każdy pełny obrót pokrętła regulacji głębokości cięcia spowoduje zwiększenie lub zmniejszenie głębokości cięcia o 0,75 mm
3. W celu upewnienia się o poprawnej regulacji zaleca się przeprowadzenie testu na kawałku zbędnego materiału i dokonanie pomiaru

Włączanie i wyłączanie

Upewnij się, że przewód zasilania (9) został podłączony do głównego zasilania przez próbę uruchomienia maszyny.

- Przelicznik on/off znajduje się z przodu urządzenia
- Aby uruchomić urządzenie wciśnij zielony przycisk 'I'
- Aby wyłączyć urządzenie wciśnij czerwony przycisk 'O'

Obsługa strugarki

⚠ OSTRZEŻENIE: Podczas korzystania z urządzenia, operator musi być zawsze umieszczony na końcu blatu wprowadzania materiału (3) i nie może sięgać ponad bęben tnący (2) w żadnym momencie podczas używania narzędzia.

⚠ OSTRZEŻENIE: Trzymaj dłonie i palce w odległości, co najmniej 150 mm od bębna tnącego. Podczas wprowadzania materiału obróbki w pobliżu bębna tnącego zawsze używaj popychacza (14) lub bloczków prowadzących (22).

⚠ OSTRZEŻENIE: Jeśli bęben ostrza zatrzyma się nagle podczas procesu cięcia, należy natychmiast wyłączyć zasilanie. Nie należy od nowa rozpoczynać cięcia w połowie materiału, ani próbować wykonywać częściowych cięć w przedmiocie obróbki.

⚠ OSTRZEŻENIE: Przechowuj popychacz (14) w uchwycie do przechowywania popychacza (10) tak, aby był zawsze pod ręką podczas pracy urządzeniem.

⚠ OSTRZEŻENIE: Powyższe urządzenie jest przeznaczone wyłącznie do użytku z suchym, naturalnym włóknem drzewnym. Nigdy nie używaj metali, tworzyw sztucznych, materiałów laminowanych, sklejek MDF lub innych produktów syntetycznych w tej maszynie. Nie próbuj strugać wygiętego materiału, jeśli nie ma odpowiedniego kontaktu z blatem wprowadzania materiału.

⚠ OSTRZEŻENIE: ZAWSZE się upewnij, że przesuwana płyta ochronna (40) zakrywa bęben tnący (2) aż po tył prowadnicy (15) kiedy prowadnica wystaje ponad bęben tnący podczas pracy.

WAŻNE: Przed rozpoczęciem pracy powyższą maszyną, należy rozważyć rodzaj drewna i stan obrabianego przedmiotu. Wykonuj tylko płytkie cięcia twardszych materiałów lub materiałów o bardziej szorstkich powierzchniach.

Korzystanie z osłony

⚠ OSTRZEŻENIE: Nigdy nie używaj narzędzia bez odpowiedniej osłony lub prawidłowo wyregulowanej.

Przed wykonaniem cięcia użyj regulatorów na ramieniu osłony (27) w celu ustawienia osłony bębna z ostrzami (19), aby zakryć dowolną część bębna z ostrzami (2), która pozostaje odsłonięta, gdy obrabiany przedmiot jest na miejscu – patrz rysunki A - D.

Struganie powierzchni

Patrz zdjęcie B.

- Struganie powierzchni jest wykonywane w celu złagodzenia powierzchni i przygotowania do pracy z grubościówką

1. Ustaw wysokość blatu wprowadzania materiału (3) na wymaganą głębokość cięcia

WAŻNE: podczas strugania, należy wykonywać płaskie cięcia, aby uniknąć odrzutu.

2. Ustaw prowadnicę (15) na 90° (patrz 'Ustawienie prowadnicy')
3. Uruchom urządzenie

4. Umieść pewnie materiał obróbki na blacie wprowadzania materiału (3) i prowadnicy
5. Ustaw osłonę (19) – patrz 'korzystanie z osłony'
6. Wprowadź całkowicie materiał przez jednostkę tnącą, utrzymując silny nacisk na prowadnicę i blat podczas całego procesu cięcia
7. Powtórz czynność, jeśli to konieczne do momentu uzyskania pożądanego wykończenia

Łączenie krawędzi

Patrz zdjęcie C.

- Łączenie krawędzi jest wykonywane w celu uzyskania płaskiej, powierzchni wzdłuż boku obrabianego przedmiotu. Istotne jest, aby to zrobić podczas tworzenia półfabrykatu lub do przygotowania przedmiotu do wykańczania i stolarki

1. Ustaw wysokość blatu wprowadzania materiału (3) na wymaganą głębokość cięcia

WAŻNE: Podczas strugania, należy wykonywać płaskie cięcia, aby uniknąć odrzutu.

2. Ustaw prowadnicę (15) na 90° (patrz 'Ustawienie prowadnicy')
3. Uruchom urządzenie
4. Umieść pewnie materiał obróbki na blacie wprowadzania materiału i prowadnicy
5. Ustaw osłonę (19) – patrz 'korzystanie z osłony'
6. Wprowadź całkowicie materiał przez jednostkę tnącą, utrzymując silny nacisk na prowadnicę i blat podczas całego procesu cięcia
7. Powtórz czynność, jeśli to konieczne do momentu uzyskania pożądanego wykończenia

Cięcie pod kątem

Patrz zdjęcie D.

- Cięcia ukośne są cięciami pod kątem i można je wykonać, ustawiając prowadnicę (15) pod żądanym kątem i podając przedmiot wzdłuż ogrodzenia. Ten proces zwykle wymaga kilku przejść lub cięć, aby uzyskać pożądane wykończenie

1. Ustaw wysokość blatu wprowadzania materiału (3) na wymaganą głębokość cięcia

WAŻNE: Podczas strugania, należy wykonywać płaskie cięcia, aby uniknąć odrzutu.

2. Ustaw prowadnicę pod żądanym kątem (patrz 'Ustawienie prowadnicy')
3. Umieść pewnie materiał obróbki na blacie wprowadzania materiału i prowadnicy
4. Uruchom urządzenie
5. Ustaw osłonę (19) – patrz 'korzystanie z osłony'
6. Utrzymuj nacisk obrabianego przedmiotu na prowadnicę i blacie za pomocą bloczka prowadzącego i podawaj obrabiany przedmiot za pomocą drugiego bloku
7. Powtórz czynność, jeśli to konieczne do momentu uzyskania pożądanego wykończenia

Aksesoria

- Szeroki wybór akcesoriów w tym masek przeciwpyłowych, odsysaczy pyłu, rękawic odpornych na przecięcia jest dostępny u dystrybutora firmy Triton
- Części zamienne są dostępne do nabycia u dystrybutora narzędzi Triton lub przez Internet na stronie www.toolsparsonline.com

Konserwacja

⚠ **OSTRZEŻENIE:** ZAWSZE należy się upewnić, że urządzenie jest wyłączone i odłączone od zasilania przed dokonaniem jakichkolwiek regulacji.

⚠ **OSTRZEŻENIE:** Należy ZAWSZE nosić rękawice odporne na przecięcia podczas posługiwania się bębna z nożami (2).

- To narzędzie zostało wyprodukowane przy użyciu wiodących komponentów i wykorzystuje najnowsze inteligentne obwody, które chronią narzędzie i jego komponenty. Przy normalnym użytkowaniu powinien zapewniać długą żywotność
- Części tego narzędzia, które użytkownik może wymienić, obejmują:
 - I. Ostrza
 - II. Pas napędowy
 - III. Pas pomocniczy

Uwaga: Instrukcja obsługi tych elementów znajduje się w tej części instrukcji.

Kontrola rutynowa

- Regularnie sprawdzaj, czy wszystkie śruby mocujące są odpowiednio dokręcone
- Sprawdź przewód zasilania urządzenia pod kątem uszkodzeń i zużycia za każdym razem przed rozpoczęciem użytkowania urządzenia. Naprawy powinny być przeprowadzane przez autoryzowane centrum serwisowe Triton. Zalecenie to dotyczy również przewodów zasilania wykorzystywanych przy urządzeniu.
- Jeśli nie masz pewności, jak przeprowadzić dowolną z poniższych procedur konserwacyjnych, NIE próbuj, zamiast tego zlecaj konserwację autoryzowanemu centrum serwisowemu Triton

Czyszczenie

- **OSTRZEŻENIE:** Podczas czyszczenia lub usuwania zatorów należy upewnić się, że narzędzie jest odłączone od zasilania i jest wyłączone. Podczas wykonywania procedur czyszczenia i odblokowywania zawsze noś rękawice odporne na przecięcia, ponieważ narzędzie zawiera ostre powierzchnie i elementy.
- Należy zawsze dbać o czystość urządzenia. Brud i kurz powodują szybsze zużycie elementów wewnętrznych i skracają okres eksploatacji urządzenia. Jeśli to możliwe, przedmuchaaj otwory wentylacyjne czystym powietrzem sprężonym (w stosownych przypadkach)
- Po użyciu zaleca się użycie odkurzacza, aby usunąć wióry drzewne, trociny i zanieczyszczenia
- Usuń trociny, zębki i tłuszcz z taśmy, kół zębatych i ruchomych części

- Wyczyść obudowę narzędzia miękką, wilgotną szmatką, używając łagodnego detergentu. Nie używaj alkoholu, benzyny ani silnych środków czyszczących
- Nigdy nie używaj środków żrących do czyszczenia części plastikowych

Wymiana noży skrawających

⚠ **OSTRZEŻENIE:** Należy ZAWSZE nosić rękawice odporne na przecięcia podczas posługiwania się nożami (45).

WAŻNE: Korzystaj wyłącznie z noży przeznaczonych dla powyższej maszyny.

1. Zdejmij osłonę pasa (5) przy użyciu klucza sześciokątnego 4 mm (25) (rys. XII)
2. Obróć bęben tnący, tak aby cztery śruby ostrza (42) były odstonięte
3. Wykręć cztery śruby mocowania ostrzy (rys. XIV)
4. Ostrożnie zdejmij zacisk ostrza (43) oraz noże
5. Wymień ostrze umieszczając je na śrubach regulacyjnych ostrza (44) (rys. XVII)
6. Umieść śruby ostrzy ponownie i wyrównaj noże (patrz 'Wyrównanie noży')
7. Powtórz powyższe kroki z drugim nożem

Wymiana pasa

Wymiana pasa pomocniczego

1. Połóż urządzenie na ziemi, bądź na stole warsztatowym, tak, aby mieć łatwy dostęp do podstawy urządzenia
2. Odkręć i zdejmij dolną osłonę
3. Poluzuj, ale nie zdejmuj dwóch śrub sześciokątnych jednostki odsysania pyłu (47), tak, aby jednostka odsysania mogła się przemieszczać z boku do boku
4. Wymień pas pomocniczy (48)
5. Napnij pas i przykręć śrubę sześciokątną
6. Załóż dolną osłonę

Wymiana pasa napędowego

1. Połóż urządzenie na ziemi, bądź na stole warsztatowym, tak, aby mieć łatwy dostęp do podstawy urządzenia
2. Odkręć i zdejmij dolną osłonę
3. Zdejmij pas pomocniczy (patrz 'Wymiana pasa pomocniczego')
4. Poluzuj, ale nie zdejmuj czterech śrub sześciokątnych jednostki silnikowej (46) tak, aby jednostka silnikowa mogła się przemieszczać z boku do boku
5. Zdejmij pas napędowy (49)
6. Wymień pas napędowy
7. Napnij pas i przykręć śrubę sześciokątną
8. Zamontuj pas pomocniczy oraz dolną osłonę

Smarowanie

- Lekko nasmaruj wszystkie ruchome części w regularnych odstępach czasu odpowiednim smarem w sprayu
- Łożyska w zespołach głowicy silnika i głowicy tnącej są fabrycznie zamknięte i nie powinny wymagać dalszego smarowania

- Komponenty wymagające regularnego smarowania:
 - o Pokrętko regulacji głębokości cięcia
 - o Wspornik posuwu prowadnicy
 - o Uchwyt blokujący kąt prowadnicy
 - o Uchwyt blokujący posuw prowadnicy
 - o Mechanizm regulacji osłony
- Usunąć wszelkie pozostałości smaru z innych komponentów, używając w razie potrzeby benzyny lądowej, a następnie nałożyć warstwę lekkiego smaru uniwersalnego (nie ma w zestawie)
- Stoły robocze mogą być pokryte bardzo cienką warstwą wosku smarującego (nie ma w zestawie), aby chronić powierzchnię przed rdzą i ułatwić płynne podawanie podczas pracy

Szczotki

- Szczotki węglowe wewnątrz silnika mogą ulec zużyciu z biegiem czasu
- Nadmierne zużycie szczotek może powodować utratę mocy, sporadyczne awarie lub widoczne iskrzenie
- Jeśli podejrzewasz nadmierne zużycie szczotek, przekaż urządzenie do autoryzowanego punktu serwisowego w celu ich wymiany.

Przechowywanie

Należy przechowywać narzędzie w bezpiecznym, suchym miejscu niedostępnym dla dzieci

Kontakt

W celu uzyskania porady technicznej lub naprawy, skontaktuj się z infolinią pod numerem (+44) 1935 382 222

Strona online: www.tritontools.com

Adres (GBR):

Toolstream Ltd.
Boundary Way
Lufton Trading Estate
Yeovil, Somerset
BA22 8HZ, Wielka Brytania

Adres (UE):

Toolstream B.V.
Hogeweg 39
5301 LJ Zaltbommel
Holandia

Utylizacja

Należy zawsze przestrzegać przepisów krajowych dotyczących utylizacji elektronarzędzi, które nie są już funkcjonalne i nie nadają się do naprawy.

- Nie wyrzucaj elektronarzędzi, akumulatorów lub innych odpadów elektrycznych i elektronicznych (WEEE) wraz z odpadami komunalnymi.
- Skontaktuj się z władzami lokalnymi zajmującymi się utylizacją odpadów, aby uzyskać informacje na temat prawidłowego sposobu utylizacji elektronarzędzi

Wykrywanie i usuwanie usterek

Problem	Możliwa przyczyna	Rozwiązanie
Brak reakcji po wciśnięciu przełącznika ON/OFF (6)	Brak zasilania	Sprawdź podłączenie do zasilania
	Uszkodzony przełącznik ON/OFF	Skontaktuj się z dystrybutorem narzędzi Triton lub autoryzowanym punktem serwisowym, w celu wymiany przełącznika ON/OFF
Silnik nie został uruchomiony	Zużyte szczotki węglowe	Szczotki muszą zostać wymienione
Kiepska jakość wykończenia powierzchni po zakończeniu skrawania	Wybrano zbyt dużą głębokość strugania	Zmniejsz głębokość strugania i strugaj powierzchnię w kilku etapach
	Tępe noże skrawające (45)	Odwróć, bądź wymień noże (patrz 'wymiana noży')
	Wilgotne drewno	Natychmiast wyłącz narzędzie. Wyrównaj, bądź prawidłowo ustaw noże (patrz 'Wymiana noży skrawających')
Bęben się nie obraca	Uszkodzony pas napędowy (49)	Patrz rozdział 'Wymiana pasa napędowego' i dokonaj wymiany
Urządzenie emituje duże drgania podczas pracy	Należy natychmiast ZAPRZESTĄĆ korzystania z maszyny	Sprawdź, czy wszystkie elementy urządzenia, które są łatwo dostępne dla operatora, zostały prawidłowo zabezpieczone i zamontowane
		Skontaktuj się z dystrybutorem narzędzi Triton lub autoryzowanym punktem serwisowym

Gwarancja

W celu rejestracji gwarancji odwiedź naszą stronę internetową tritontools.com* i podaj odpowiednia dane.

Protokół zakupu

Data zakupu: ____ / ____ / ____

Model: TSPL152

Należy zachować paragon jako dowód zakupu

Precyzyjne Elektronarzędzia Triton gwarantują nabywcy tego produktu pewność, iż w razie usterki bądź uszkodzenia z powodu wad materiałowych lub jakości wykonania, w ciągu 3 lat od daty zakupu, firma Triton naprawi bądź według własnego uznania bezpłatnie wymieni uszkodzoną część.

Powyższa gwarancja nie pokrywa szkód spowodowanych naturalnym zużyciem, nieprawidłowym użytkowaniem, nieprzestrzeganiem zaleceń obsługi, wypadkami lub wykorzystaniem urządzenia do celów komercyjnych.

* Zarejestruj swój produkt w ciągu 30 dni od daty zakupu.

Obowiązują zasady i warunki użytkowania.

Powyższe postanowienia nie mają wpływu na prawa ustawowe klienta.


Překlad originálního návodu

Úvod

Děkujeme za zakoupení výrobku Triton. Tento návod obsahuje nezbytné informace pro bezpečné používání a správnou funkci tohoto výrobku. Tento výrobek nabízí mnoho jedinečných funkcí. Je možné, že jste již s podobným výrobkem pracovali; přesto si důkladně přečtěte tento návod, abyste rozuměli pokynům. Ujistěte se, že všichni, kdo s výrobkem pracují, tento návod četli a plně mu porozuměli. Uchovávejte tyto pokyny spolu s výrobkem pro budoucí použití.

Použité symboly


Typový štítek na výrobku může obsahovat symboly. Ty představují důležité informace o výrobku nebo pokyny k jeho použití.


 Použijte chrániče sluchu
Použijte ochranné brýle
Použijte respirátory
Použijte ochrannou přilbu


 Použijte ochranné rukavice

 Přečtěte si návod

 Nepoužívejte při dešti nebo ve vlhkém prostředí!

 Nářadí vždy odpojte ze sítě při seřizování, výměně příslušenství, čištění, údržbě a pokud nářadí nepoužíváte.

 **VAROVÁNÍ:** Pohyblivé části mohou způsobit úraz rozdrcením a řezná poranění.

 Nedotýkejte se nožů dřívě, než je nářadí odpojeno od napájení a nože se úplně zastaví.

VAROVÁNÍ: NEBEZPEČÍ PŘI ZVEDÁNÍ

Pokud bude toto nářadí zvedat jedna osoba, může dojít ke zranění

Pro přesun nebo zvedání použijte pomoc

VAROVÁNÍ: Tento výrobek je těžký a doporučuje se, aby toto nářadí sestavili dva lidé.



Třída ochrany I (uzemnění)



Ochrana životního prostředí

Nevyhazujte elektronářadí do domovního odpadu. Zařízení odevzdejte k recyklaci v recyklačním místě. V případě dotazů kontaktujte příslušný úřad nebo prodejce.



V souladu s příslušnou legislativou a bezpečnostními standardy.



Pozor!



Pozor na zpětný ráz!



Pouze pro použití vevnitř!



Vyžaduje se nebo doporučuje odsávání prachu

Tabulka technických zkratk

V	volty
~	střídavý proud
A, mA	ampér, miliampér
n ₀	otáčky naprázdno
Nm	newtonmetr (točivý moment)
psi	tlak (libry na čtvereční palec)
°	stupně
Hz	hertz
W, kW	watt, kilowatt
min ⁻¹	operace za minutu
dB(A)	hladina akustického tlaku v decibelech (vážená)

Technická data

Model:	TSPL152
Napětí:	220-240 V ~ 50/60 Hz
Výkon:	1100 W
Otáčky naprázdno:	8000 min ⁻¹
Max. hloubka hoblování:	0-3,2 mm
Šířka hoblování:	0-152,4 mm
Velikost stolu:	771 x 250 mm
Rozsah úhlu dorazu:	45-135°
Průměry prachových otvorů:	vnitřní průměr: 50 mm vnější průměr: 60 mm
Třída ochrany:	
Krytí:	IP20
Délka přívodního kabelu:	2 m
Rozměry (d x š x v):	965 x 505 x 315 mm
Hmotnost:	25,4 kg
Vzhledem k nepřetržitému vývoji výrobků Triton se technická data našich výrobků mohou měnit bez ohlášení.	
Informace o hluku a vibracích	
Akustický tlak L _{PA} :	94,3 dB(A)
Akustický výkon L _{WA} :	107,3 dB(A)
Tolerance K:	3dB(A)

Úroveň hluku pro obsluhu může překročit 85 dB(A) a proto je třeba přijmout ochranná hluková opatření.

VAROVÁNÍ: Pokud hladina hluku přesáhne 85 dB(A), vždy noste chrániče sluchu a omezte dobu práce s elektronářadím. Pokud se hladina hluku stane nepříjemnou, i s chrániči sluchu, ihned přestaňte nářadí používat. Zkontrolujte, zda máte chrániče sluchu správně umístěné, aby mohly poskytovat potřebné snížení hladiny hluku, které elektronářadí vydává.

VAROVÁNÍ: Vystavení se vibracím elektronářadí může způsobit ztrátu vnímání dotyku, necitlivost rukou, mravenčení a omezenou schopnost úchopu. Dlouhodobé vystavení vibracím může obtíže změnit v chronický stav. Pokud je třeba, omezte čas, kdy jste vibracím vystaveni a používejte anti-vibrační rukavice. Elektronářadí nepoužívejte v prostředí s nižší než běžnou příjemnou teplotou, protože vibrace mohou mít větší účinek. Využijte hodnot uvedených v technických datech, abyste určili vhodnou délku a frekvenci práce s elektronářadím.

VAROVÁNÍ: Emise vibrací během skutečného používání elektronářadí se mohou lišit od deklarované celkové hodnoty v závislosti na způsobu použití nářadí. Je potřeba určit bezpečnostní opatření na ochranu obsluhy, která jsou založena na odhadu expozice ve skutečných podmínkách použití (s přihlédnutím ke všem částem provozního cyklu, jako jsou doby, kdy je nástroj vypnutý a kdy běží naprázdno kromě doby spouštění).

Deklarovaná celková hodnota vibrací byla naměřena v souladu se standardní zkušební metodou a lze ji použít pro srovnání jednoho nářadí s druhým. Deklarovanou celkovou hodnotu vibrací lze také použít při předběžném posouzení expozice.

Úroveň hluku byla změněna podle měřících metod mezinárodních standardů. Naměřené hodnoty odpovídají běžnému užití elektronářadí v běžných pracovních podmínkách. Špatně udržované, nesprávně složené nebo špatně používané nářadí může vytvářet vyšší hladiny hluku i vibrací. www.osha.europa.eu nabízí informace o úrovni hluku a vibrací v pracovním prostředí; tyto informace mohou být užitečné pro hobby uživatele, kteří používají nářadí po dlouhou dobu.

Obecná bezpečnostní opatření pro elektronářadí

VAROVÁNÍ: Když používáte elektronářadí, je třeba vždy dodržovat základní bezpečnostní opatření včetně následujících bezpečnostních pokynů, abyste minimalizovali riziko požáru, úraz elektrickým proudem a zranění osob. Přečtěte si všechna bezpečnostní varování před použitím tohoto nářadí a tento návod uschovejte pro budoucí použití.

VAROVÁNÍ: Toto nářadí není určeno pro použití osobami (včetně dětí) se sníženými fyzickými nebo mentálními schopnostmi nebo nedostatečnými zkušenostmi nebo znalostmi, pokud na ně nedohlíží osoba odpovědná za jejich bezpečnost nebo jim nebyla poskytnuta instrukce ohledně používání nářadí. Děti musí být pod dozorem, aby bylo zajištěno, že si s nářadím nebudou hrát.

POZOR! Používejte elektronářadí, příslušenství, bity atd. v souladu s těmito pokyny, s ohledem na pracovní podmínky a práci, kterou budete provádět. Použití elektronářadí k jiným než určeným činnostem může vést k nebezpečné situaci.

Výrazem "elektronářadí" zmiňovaným v bezpečnostních opatřeních se rozumí zařízení používané v elektrické síti (se síťovým kabelem) anebo zařízení, které využívá bateriový pohon (bez síťového kabelu).

- Udržujte pracovní místo čisté** - nepořádek v dílně nebo na pracovním stole může vést k úrazům
- Zvažte, kde nářadí použijete**
 - Nevystavujte nářadí dešti
 - Nepoužívejte nářadí ve vlhkém nebo mokřem prostředí
 - Pracovní plochu mějte dobře osvětlenou
 - Nepoužívejte elektronářadí v prostředí ohroženém explozí, kde se nacházejí hořlavé kapaliny nebo plyny
- Chraňte se před úrazem elektrickým proudem** - vyhněte se tělesnému kontaktu s uzemněnými povrchy (jako je potrubí, topná tělesa, sporáky a chladničky)

- 4 **Ostatní osoby by se měly nacházet v dostatečné vzdálenosti** – nenechteje přihlížející osoby, zvláště děti, dotýkat se kabelů a udržujte je v dostatečné vzdálenosti od pracovního místa
- 5 **Nepotřebné nářadí uklidte** – pokud nářadí nepoužíváte, mělo by být skladováno na suchém a uzamčeném místě, mimo dosah dětí
- 6 **Na nářadí netlačte** – práci zvládne lépe a bezpečněji v rychlosti, která je doporučena
- 7 **Používejte správné nářadí** – nepoužívejte malé nářadí na práci, kterou lépe zvládne výkonnější nářadí. Nářadí nepoužívejte na práci, pro kterou není určeno; např. nepoužívejte okružní pilu na řezání větví nebo polen
- 8 **Používejte vhodný oděv**
- Nenechte žádný volný oděv nebo šperky, které mohou být zachyceny pohyblivými se díly
 - Pokud pracujete venku, noste vhodnou bezpečnostní obuv
 - Noste pokrývku hlavy, která schová dlouhé vlasy
- 9 **Používejte ochranné pomůcky**
- Používejte ochranné brýle
 - Používejte respirátor nebo masku proti prachu, pokud pracujete v prašném prostředí
- ⚠ **VAROVÁNÍ:** Nenošení ochranných pracovních pomůcek nebo vhodného oblečení může způsobit poranění nebo zvýšit pravděpodobnost úrazu
- 10 **Připojte odsávací vybavení** – pokud je nářadí vybaveno připojením odsávacího systému nebo sběrným vybavením, ujistěte se, že je správně připojeno a používáno
- 11 **Dbejte na účel kabelu** - nepoužívejte jej k vytažení zástrčky ze zásuvky. Udržujte kabel daleko od tepla, oleje a ostrých hran. Poškozené nebo zapletené kabely zvyšují riziko zásahu elektrickým proudem
- 12 **Bezpečná práce** – kdykoliv je to možné, používejte svěrky nebo svěrák pro držení materiálu. Je to bezpečnější, než materiál držet rukou
- 13 **Nenaklánějte se příliš** – stůjte ve správné poloze a vždy držte rovnováhu
- 14 **S nářadím zacházejte svědomitě**
- Řezné nástroje udržujte ostré a čisté - pečlivě ošetřované
 - řezné nástroje s ostrými řeznými hranami se méně vzpíchnou a snadněji se vedou
 - Dodržujte pokyny týkající se mazání a výměny příslušenství
 - Pravidelně kontrolujte přívodní kabel, a pokud je poškozený, nechtejte ho opravit v autorizovaném servisním centru
 - Prodlužovací kabely pravidelně kontrolujte, a pokud jsou poškozené, vyměňte je
 - Rukojeti udržujte suché, čisté a beze stop oleje nebo mastnoty
- ⚠ **VAROVÁNÍ:** Mnoho úrazů je způsobeno nářadím, se kterým není svědomitě zacházeno
- 15 **Nářadí odpojte ze sítě** – pokud nářadí nepoužíváte, při úpravách nebo výměně příslušenství jako jsou nože, bity a kotouče, nářadí vždy vypněte ze sítě
- ⚠ **VAROVÁNÍ:** Použití příslušenství, které není doporučeno výrobcem, může způsobit riziko poranění osob
- 16 **Odstraňte seřizovací klíče** – vytvořte si zvyk, že před spuštěním nářadí vždy zkontrolujete, že jsou všechny seřizovací klíče a jiné nářadí z nářadí odstraněny
- 17 **Zabraňte neúmyslnému spuštění** – ujistěte se, že spínač je v poloze vypnuto, když nářadí zapínáte do sítě nebo vkládáte baterie, nebo když nářadí zvedáte nebo ho přenášíte
- ⚠ **VAROVÁNÍ:** Nezamýšlené spuštění nářadí může způsobit vážná poranění
- 18 **Používejte prodlužovací kabely určené pro použití venku** – pokud nářadí používáte v exteriéru, používejte pouze prodlužovací kabely určené a označené pro venkovní použití. Použití kabelu pro venkovní použití snižuje riziko úrazu elektrickým proudem
- 19 **Buďte pozorní**
- Dávejte pozor na to, co děláte, a přistupujte k práci s elektronářadím rozumně; pokud jste unavení, s nářadím nepracujte
 - Nepoužívejte žádné elektronářadí, pokud jste pod vlivem drog, alkoholu nebo léků
- ⚠ **VAROVÁNÍ:** Moment nepozornosti při použití elektronářadí může vést k vážným poraněním
- 20 **Kontrolujte poškozené díly**
- Před použitím nářadí byste ho měli důkladně prohlédnout, abyste se ujistili, že nářadí funguje správně a zvládne zamýšlený úkol
 - Zkontrolujte vyrovnaní pohyblivých částí, zachytávání pohyblivých částí, poškození jednotlivých dílů, upevnění a všechny další podmínky, které mohou ovlivnit provoz nářadí
 - Ochranný kryt nebo jiné části, které jsou poškozeny, by měly být řádně opraveny nebo vyměněny v autorizovaném servisním středisku, pokud není uvedeno jinak v tomto návodu k obsluze
 - Vadné spínače nechte vyměnit v autorizovaném servisním středisku
- ⚠ **VAROVÁNÍ:** Nepoužívejte nářadí, pokud spínač nářadí nevypne a nezapne. Spínač musí být opraven, než nářadí budete používat
- 21 **Nechte vaše elektronářadí opravit pouze odborným personálem** – toto elektronářadí odpovídá příslušným bezpečnostním pravidlům. Opravy by měl provádět pouze odborník, jinak může dojít k ohrožení pracovníka
- ⚠ **VAROVÁNÍ:** Pokud se nářadí opravuje, používejte pouze originální náhradní díly
- ⚠ **VAROVÁNÍ:** Pokud je přívodní kabel poškozen, musí být vyměněn výrobcem nebo autorizovaným servisním střediskem
- 22 **Připojovací zástrčka elektronářadí musí odpovídat zásuvce** - zástrčka nesmí být žádným způsobem upravována. Společně s elektronářadím i ochranným uzemněním nepoužívejte žádné adaptérové zástrčky. Neupravené zástrčky a vhodné zásuvky snižují pravděpodobnost úrazu elektrickým proudem
- 23 **Pokud nářadí používáte v exteriéru, používejte proudový chránič (RCD)** – použití proudového chránič snižuje riziko úrazu elektrickým proudem
- POZNÁMKA:** Termín „proudový chránič (RCD)“ může být nahrazen termínem „proudová pojistka (GFCI) nebo „vypínač zemních unikajících proudů (ELCB)“.

- 24 **Pro použití v Austrálii a na Novém Zélandu doporučujeme, aby byl tento výrobek VŽDY dodáván společně s proudovým chráničem se zbytkovým proudem 30mA nebo méně.**
- 25 **Používejte správný prodlužovací kabel. Ujistěte se, že je váš prodlužovací kabel v dobrém stavu.** Při použití prodlužovacího kabelu se ujistěte, že používáte kabel s dostatečným průměrem, aby zvládl proud, který bude vaše nářadí odebrat. Poddimenzovaný kabel způsobí pokles síťového napětí s následkem ztráty napájení a přehřátí.
- 26 **Nikdy nenechávejte nářadí běžet bez dozoru.** Vypněte napájení. Neopouštějte nářadí, dokud se úplně nezastaví

Ani při předepsaném použití není možné eliminovat všechny zbytkové rizikové faktory. Používejte nářadí opatrně. Pokud si vůbec nejste jisti správným a bezpečným způsobem použití tohoto nářadí, nepokoušejte se jej používat.

⚠ VAROVÁNÍ: Před připojením nářadí k napájení (síťová zásuvka, průmyslová zásuvka atd.) se ujistěte, že napájecí napětí je stejné, jako je uvedeno na typovém štítku nářadí. Napájecí zdroj s vyšším napětím, než je uvedeno na nářadí, může vést k vážnému poranění uživatele a poškození nářadí. Máte-li pochybnosti, nepřipojujte nářadí. Použití napájecího zdroje s napětím nižším než je uvedeno na štítku poškozuje motor.

Bezpečnostní opatření pro řezné nářadí

⚠ VAROVÁNÍ: Před připojením nářadí k napájení (síťová zásuvka, průmyslová zásuvka atd.) se ujistěte, že napájecí napětí je stejné, jako je uvedeno na typovém štítku nářadí. Napájecí zdroj s vyšším napětím, než je uvedeno na nářadí, může vést k vážnému poranění uživatele a poškození nářadí. Máte-li pochybnosti, nepřipojujte nářadí. Použití napájecího zdroje s napětím nižším než je uvedeno na štítku poškozuje motor.

Používejte správné nářadí pro řezání

- Ujistěte se, že nářadí je vhodné pro zamýšlenou práci. Nepředpokládejte, že nářadí je vhodné, dokud si před použitím nepřečtete návod.

Chraňte si zrak

- Když používáte řezné nástroje, noste vždy vhodné ochranné brýle
- Brýle nejsou navrženy, aby poskytovaly ochranu očí při použití tohoto nářadí; běžná skla nejsou nárazu-odolná a mohou se roztržít

Chraňte si sluch

- Vždy noste vhodné chrániče sluchu, pokud hluk převyšuje 85 dB

Chraňte si dýchací cesty

- Ujistěte se, že vy a ostatní okolo vás nosíte vhodné respirátory

Chraňte své ruce

- Nepřibližujte ruce ke kotoučům či jiným řezným nástrojům. Používejte vhodné pomůcky pro posouvání materiálu, pokud pracujete s kratšími kusy

Uvědomte se osoby kolem sebe

- Je zodpovědností toho, kdo s nářadím pracuje, aby osoby, které stojí v okolí nářadí, nebyly vystaveny nebezpečnému hluku a prachu a nosily vhodné ochranné pomůcky

Skryté předměty

- Materiál zkontrolujte před řezáním – odstraňte všechny hřebíky a jiné předměty
- Nepokoušejte se přerezat materiály, které obsahují skryté předměty, pokud si nejste jisti, že řezné příslušenství je pro to vhodné
- Stěny mohou skrývat vedení a potrubí, automobilové díly karoserie v sobě mohou skrývat palivové vedení a vysoká tráva může skrývat kameny a sklo. Pracovní plochu vždy důkladně zkontrolujte, než započnete práci

Dejte si pozor na odletující odpad

- V některých situacích může odpad odletovat vysokou rychlostí od nářadí. Je zodpovědností osoby obsluhující nářadí, že všichni v okolí jsou před odletujícím odpadem chráněni

Upevnění řezných nástrojů

- Ujistěte se, že řezné nástroje jsou správně a bezpečně upevněny a zkontrolujte, že všechny klíče jsou z nářadí před použitím odstraněny
- Používejte pouze řezné nástroje určené pro toto nářadí
- Nepokoušejte se řezné nástroje upravovat
- Ujistěte se, že řezný nástroj je ostrý, v dobrém stavu a správně uchycený
- Nepokoušejte se ostřit řezné nástroje, které nejsou určeny k opakovanému ostření – takové nástroje mohou mít speciálně tvrzené ostří, které je vyrobeno z tvrdých slitin obsahujících např. wolfram
- Používejte řezné nástroje, které byly vyvinuty a jsou určeny pro toto nářadí
- Pokud přijde ostří do kontaktu s materiálem, pro které není určeno, okamžitě ostří vyměňte

Směr podávání materiálu

- Materiál vždy podávejte proti směru pohybu kotouče

Dávejte pozor na zahřívání nářadí i materiálu

- Nářadí i materiál se mohou během práce zahřát. Nástroje nemějte, dokud úplně nezchladnou

Kontrolujte prach/špony

- Nedovolte, aby se prach nebo špony napekly. Prach z řezání je hořlavý a některé kovové špony mohou způsobit výbuch
- Velmi opatrní buďte, pokud řežete dřevo i kov. Jiskry vznikající při řezání kovu mohou snadno způsobit vzplanutí dřevěných pilin
- Kdekoliv je to možné, použijte odsávací systém, abyste pracovali v bezpečnějším pracovním prostředí

Bezpečnost stolní frézky

⚠ VAROVÁNÍ: Nikdy nepoužívejte nářadí bez příslušného ochranného krytu nebo správně nastaveného krytu.

⚠ VAROVÁNÍ: Jakákoliv část nožového bloku, která není používána pro hoblování, musí být chráněna.

⚠ VAROVÁNÍ: Při hoblování úzkého materiálu mohou být pro zajištění bezpečné práce nutná další opatření, jako je použití horizontálních přítlačných nástrojů.

⚠ VAROVÁNÍ: Hoblovací nástroje by neměly být používány k řezání drážky, vybrání, čepů nebo tvarů.

- **Používejte vhodnou ochranu dýchacích orgánů:** Použití tohoto nářadí může vytvářet prach obsahující chemikálie, o nichž je známo, že způsobují rakovinu, vrozené vady nebo jiné reprodukční poškození. Některé dřevo obsahuje konzervační látky, jako je mědnatý arzenid chromu (CCA), který může být toxický. Při broušení, vrtání nebo řezání těchto materiálů je třeba dbát zvýšené opatrnosti, aby nedošlo k vdechnutí a minimalizovat kontakt s pokožkou.

- **Používejte pouze ostré nože.** Manipulujte s ostrím velmi opatrně rukavicemi, které jsou odolné proti pořežání.

⚠ VAROVÁNÍ: Nepoužívejte tupé nože, protože to zvyšuje nebezpečí zpětného rázu.

- **Zajistěte, aby byly z pracovního prostoru odstraněny veškeré tkaniny, šňůry, hadry a podobné předměty.** Jejich odstraněním zabráníte zamotání do mechanismu nářadí
- **Před kontaktem s materiálem a zahájením řezání nechte nářadí dosáhnout plných otáček**
- **VŽDY nářadí VYPNĚTE a nechte nože zcela zastavit, než začnete provádět jakékoli seřizování, čištění nebo údržbu**
- **Vyměňte současně všechny nože,** jinak vzniklá nerovnováha způsobí vibrace a zkrátí životnost stolní frézky a nožů
- **Nepokoušejte se provádět řezné práce, které nejsou doporučeny výrobcem.** Zastavené řezy, výklenky, čepy, tvary nebo hoblování silně ohýbaného dřeva s tímto nářadím není povoleno
- **Nepoužívejte stolní frézku, pokud není upevněna na bezpečné pracovní ploše.** Bez dostatečného upevnění se stolní frézka může během provozu prudce pohnout, což může způsobit vážné zranění obsluhy
- **Během hoblování vždy držte pomůcku pro posun materiálu vedle stolu pro vstup materiálu.** Při hoblování krátkého materiálu by měla být použita pomůcka pro posun materiálu. Pokud je materiál v těsné blízkosti nože a je-li materiál menší než 75 mm, použijte pomůcku pro posun
- **Nepokoušejte se hoblovat nevhodně ohnuté materiály v případě nedostatečného kontaktu se stolem pro vstup materiálu**
- **Při přepravě nářadí se ujistěte, že jsou používány přepravní rukojeti (ne ovládací rukojeti) a že všechny zajišťovací mechanismy a kryty jsou bezpečně na svém místě**

Vyvarování se zpětnému rázu

Poznámka: Zpětný ráz nastane, když se řezné nářadí rychle zastaví, v důsledku toho, že je sevřené nebo nesprávně vyrovnané, a materiál se pohybuje zpět k obsluze. Také může dojít k tomu, že dojde ke vtažení rukou do ostří, čímž může dojít k závažnému poranění.

⚠ VAROVÁNÍ: Zpětný ráz je důsledkem nesprávného použití nářadí a/nebo nesprávných provozních postupů nebo podmínek, avšak pokud jsou učiněna bezpečnostní opatření, může obsluha ovládat sílu zpětného rázu nebo se mu vyhnout následujícím:

- NIKDY se nepokoušejte řezat s tupým nebo zkriveným řezným nářadím.** Vždy se ujistěte, že řezné nářadí je vhodné pro materiál, který chcete řezat.

- VŽDY se ujistěte, že podélný doraz/stůl je umístěn vodorovně s řezným nářadím.** Pokud bude podélný doraz/stůl směřovat k řeznému nářadí, může dojít ke kontaktu materiálu se zadní stranou řezného nářadí.
- Buďte OPATRNÍ, když řezáte velké materiály.** Ujistěte se, že velký materiál je dobře podepřen jak na vstupu, tak na výstupu materiálu.
- NEREŽTE oblé materiály nebo materiál, který nemůže na stole ležet rovně.** Vyhnete se řezání zkrouceného nebo sukovitého dřeva.
- NEREŽTE vlhké dřevo – při řezání vzniká větší tření.** Vlhké třísky se mohou na řezném nářadí zachycovat a tím dále zvyšují pravděpodobnost zpětného rázu.
- VŽDY materiál držte pevně oběma rukama a paže dejte do takové polohy, ve které můžete zachytit sílu zpětného rázu.**
- Držte se vždy stranou cesty řezného nářadí, nikdy nedávejte řezné nářadí do jedné přímky s vašim tělem.**
- NECOUVEJTE z řezu.** Pokud potřebuje řez přerušit před dokončením, vypněte nářadí, počkejte, dokud se řezné nářadí úplně nezastaví a pak materiál z nářadí vytáhněte.
- VŽDY používejte pomůcky pro posun materiálu tam, kde vedete materiál přes ostří.** Kdykoliv je to možné, přidržujte materiál pomocí přítláčných hřebenu.

Popis dílů

- Stůl pro výstup materiálu
- Válec s noží
- Stůl pro vstup materiálu
- Otvory pro připevnění krytu
- Kryt řemene
- Spínač
- Knoflík pro nastavení hloubky řezu
- Otvory pro upevnění ke stolu
- Přívodní kabel
- Držák pomůcky pro posun materiálu
- Držák konzoly krytu
- Gumová noha
- Port pro odsávání prachu
- Pomůcka pro posun materiálu
- Doraz
- Konzola uchycení dorazu
- Zajišťovací deska dorazu
- Posuvný držák dorazu
- Kryt válce s noží
- Zajišťovací rukojeť úhlu dorazu
- Zajišťovací rukojeť posuvu dorazu
- Bloky pro posun materiálu
- 6 mm šestihranný klíč
- 5 mm šestihranný klíč
- 4 mm šestihranný klíč
- Rukojeti

27. Rameno krytu
28. Klíč (10 x 12 mm)
29. 8 mm pružná podložka
30. 8 mm plochá podložka
31. 10 mm vymežovací podložka
32. 6 mm pružná podložka
33. M6 x 10 mm matice
34. M8 x 30 mm šestihranný šroub
35. M8 x 20 mm šestihranný šroub
36. 13 x 20 mm šroub
37. M6 x 25 mm šestihranný šroub
38. Vnější dorazový šroub
39. Vnitřní dorazový šroub
40. Posuvný dorazový blok
41. Kluzná ochranná deska
42. Šroub nože
43. Svěrka nože
44. Seřizovací šroub pro nastavení polohy nože
45. Nůž
46. Šestihranné šrouby motorové jednotky
47. Šestihranné šrouby jednotky odsávání prachu
48. Přídavný řemen
49. Hnací řemen

Doporučené použití

Elektrická 152 mm srovnávací a tloušťkovací fréza pro upevnění na stůl s nastavitelným dorazem pro hoblování materiálu do šířky 152 mm. Pouze pro lehké hoblování.

Nářadí smí být používáno POUZE k určenému účelu. Jakékoli jiné použití, než je uvedeno v tomto návodu, bude považováno za případ nesprávného použití. Za jakékoli škody nebo zranění vyplývající z takových případů nesprávného použití nese odpovědnost provozovatel, nikoli výrobce. Výrobce neručí za žádné úpravy provedené na nářadí ani za škody vyplývající z takových úprav.

Není určeno pro komerční použití.

Vybalení vašeho nářadí

- Nářadí opatrně vybalte a zkontrolujte. Seznamte se se všemi jeho vlastnostmi a funkcemi
- Ujistěte se, že v balení byly všechny díly a že jsou v pořádku. Pokud nějaké díly chybí nebo jsou poškozené, před použitím nářadí tyto díly vyměňte

Před použitím

⚠ VAROVÁNÍ: Ujistěte se, že nářadí je vypnuto z elektrické sítě, než budete připojovat nebo měnit příslušenství anebo provádět úpravy nastavení.

⚠ VAROVÁNÍ: VŽDY noste vhodné rukavice (nejsou součástí balení) odolné proti proříznutí, když pracujete s tímto nářadím.

Důležité pokyny pro bezpečné používání tohoto nářadí

- Při seřizování nebo výměně jakýchkoli dílů odpojte nářadí od zdroje napájení
- Zajistěte, aby byl spínač (6) v poloze „VYPNUTO“ před připojením nářadí k elektrické síti
- Udržujte končetiny v bezpečné vzdálenosti od všech pohyblivých částí
- Při použití tohoto nářadí použijte ochranu očí a obličejovou masku
- Ujistěte se, že se všechny pohyblivé části volně pohybují a nic jim v pohybu nebrání
- Nože udržujte ostré, zarovnané a řádně upevněné k řezné hlavě
- Nikdy nářadí nezapínejte, když je materiál v kontaktu s noží
- Kdykoliv se nářadí nepoužívá, vypněte ho a vypněte z napájení
- Udržujte nářadí v dobrém stavu. Dodržujte pokyny pro údržbu (viz část „Údržba“)
- Nikdy nepoužívejte nářadí k částečnému řezu – nářadí nechejte provést řez celým materiálem
- Nepoužívejte nářadí k řezání vybraní, čepů nebo tvarů
- Berte v úvahu směr otáčení nožů, který je uveden na nářadí

Upevnění na pracovní stůl

- Pomocí otvorů pro upevnění ke stolu (8) upevněte nářadí na pevný plochý pracovní povrch pomocí šroubů, šestihranných matic a pojistných podložek (nejsou součástí balení).

Upevnění dorazu

Upevnění konzoly uchycení dorazu

1. Vyrovnajte konzolu uchycení dorazu (16) s držákem konzoly krytu (11) a zajistěte ji pomocí šestihranných šroubů 2 x M8 x 20 mm (35) a 6 mm šestihranného klíče (23) (obr. I)
1. Vložte zajišťovací desku dorazu (17) do konzoly uchycení dorazu. Umístěte ji tak, aby dva kolíky směřovaly ke spodní hraně konzoly uchycení dorazu
2. Uzamkněte zajišťovací desku pomocí zajišťovací rukojeti posuvu dorazu (21) a 10 mm vymežovací podložky (31) (obr. II)

Montáž dorazu a posuvného držáku

1. Doraz (15) připevněte k posuvnému držáku dorazu (18) pomocí šestihranných šroubů M6 x 25 mm (37), 6 mm pružných podložek (32) a 5 mm šestihranného klíče (24) (obr. III)
2. Nasuňte doraz a posuvný držák dorazu na výčnělky na konzole uchycení dorazu (16) a na zajišťovací desku dorazu (obr. IV)
3. Nasuňte zajišťovací rukojet úhlu dorazu (20) přes 10 mm vymežovací podložku (31), pak nasuňte sestavu dorazu a nakonec utáhněte ve směru hodinových ručiček (obr. V)

Poznámka: Jak zajišťovací rukojet úhlu dorazu (20), tak i zajišťovací rukojet posuvu dorazu (21) mají nezávislé nastavení pružiny, což znamená, že rukojeti lze otáčet nezávisle na tyči. To se provádí tahem za rukojeti, otočením a uvolněním. Tato funkce může být použita, když rukojeti nemohou být otočeny kvůli tomu, že část nářadí si zavazí.

Přípevnění krytu válce s noži

1. Připojte kryt válce s noži (19) k ramenu krytu (27) pomocí dvou matic M6 x 10 mm (32) a dvou 10 mm klíčů (1 x 10 mm klíč (28)) (obr. VI)
2. Přípevněte sestavu krytu k nářadí pomocí montážních otvorů (4) a dvou šroubů 13 x 20 mm (36), 2 x 8 mm pružných podložek (29) a 12 mm klíče (28) (obr. VII)

Přípevnění odnosných rukojetí

1. Přípevněte rukojeti (26) pomocí šestihranných šroubů M8 x 30 mm (34), 8 mm pružných podložek (29), 8 mm plochých podložek (30) a 6 mm šestihranného klíče (23). (obr. VIII)

Odsávání prachu

- Pro bezpečné pracovní prostředí je nezbytné vhodné odsávání prachu; jemná vlákna z hoblování mohou být zdraví škodlivá. Při práci s tímto nářadím vždy používejte masku proti prachu.
- Externí odsávání prachu může být připojeno k nářadí přes port pro odsávání prachu (13)

Kalibrace stolu

1. Umístěte vodováhu (není součástí balení) rovně na stůl pro výstup materiálu (1) přes válec (2) (obr. A)
2. Otočením knoflíku pro nastavení hloubky řezu (7) ve směru hodinových ručiček zvedněte stůl pro vstup materiálu (3) (snížení hloubky řezu), nebo proti směru hodinových ručiček, chcete-li stůl snížit (zvýšení hloubky řezu). Zarovnění stolu pro vstup i výstup materiálu zkalibruje stůl na 0 mm

Umístění dorazu

⚠ VAROVÁNÍ: VŽDY zajistěte, aby kluzná ochranná deska (41) zakrývala válec (2) vzadu za dorazem (15), když během provozu vyčnívá doraz přes válec.

1. Úhel dorazu (15) může být nastaven tak, aby vyhovoval různým tvarům materiálu
2. Doraz lze nastavit na úhel mezi 45° směrem dovnitř a 45° směrem ven
3. K dispozici jsou 3 polohy se zámkem, které používají dorazy 45° směrem dovnitř, 45° směrem ven a 90°
4. Pro přesné měření použijte úhelník, abyste zkontrolovali požadovaný úhel dorazu

Nastavení dorazu na 90°

1. Umístěte sestavu dorazu (15) na nářadí a utáhněte zajišťovací rukojeť posuvu dorazu (21)
2. Uvolněte zajišťovací rukojeť úhlu dorazu (20)
3. Posuňte blok posuvného dorazu (40) do polohy zvednutím zajišťovacího knoflíku a posunutím bloku směrem k dorazu (obr. IX)
4. Umístěte doraz tak, aby byl dorazový blok v kontaktu s magnetem na zadní straně dorazu
5. Posuňte kluznou ochrannou desku (41) přes odkrytý válec s noži (2) na zadní stranu dorazu
6. Jakmile je ve správné poloze, utáhněte zajišťovací rukojeť úhlu dorazu

Nastavení dorazu směrem dovnitř 45°

1. Umístěte sestavu dorazu (15) na nářadí a utáhněte zajišťovací rukojeť posuvu dorazu (21)
2. Uvolněte zajišťovací rukojeť úhlu dorazu (20)
3. Odstraňte blok posuvného dorazu (40), abyste přešli tomu, že doraz bude překážet
4. Nakloňte horní část dorazu dovnitř, dokud se nedostane do kontaktu s vnitřními dorazovými šrouby (39) (obr. X)
5. Posuňte kluznou ochrannou desku (41) přes odkrytý válec s noži (2) na zadní stranu dorazu
6. Utáhněte zajišťovací rukojeť úhlu dorazu, abyste zajistili polohu dorazu

Nastavení dorazu směrem ven 45°

1. Umístěte sestavu dorazu (15) na nářadí a utáhněte zajišťovací rukojeť posuvu dorazu (21)
2. Uvolněte zajišťovací rukojeť úhlu dorazu (20)
3. Odstraňte blok posuvného dorazu (40), abyste přešli tomu, že doraz bude překážet
4. Nakloňte horní část dorazu dovnitř, dokud se nedostane do kontaktu s vnějšími dorazovými šrouby (38) (obr. XI)
5. Posuňte kluznou ochrannou desku (41) přes odkrytý válec s noži (2) na zadní stranu dorazu
6. utáhněte zajišťovací rukojeť úhlu dorazu, abyste zajistili polohu dorazu

Nastavení zarovnání nožů

⚠ VAROVÁNÍ: Nikdy se nedotýkejte ostří nože (45) - je extrémně ostré.

Poznámka: Nože byly nastaveny z výroby a před prvním použitím by neměly být třeba žádné úpravy. Nicméně během přepravy a manipulace se však může stát, že nože nebudou vyrovnané, a je třeba je před použitím vždy zkontrolovat pro přesné řezání.

Kontrola nožů

1. Umístěte pravítko na stůl pro výstup materiálu (1) tak, aby sahalo i na válec s noži (2)
2. Odstraňte šrouby krytu řemene a kryt řemene (5) pomocí 4 mm šestihranného klíče (25) (obr. XII)
3. Otáčejte válcem s noži pomocí odkrytého řemene (49) (obr. XIII)
4. Jak válcem otáčíte, nůž (45) by se měl dotýkat pravítka
5. Pokud se nůž nedotkne pravítka nebo pravítko nadzvedává, je třeba polohu nože nastavit
6. Zkontrolujte výšku nože na obou koncích, abyste zjistili, zda je správně uchycen v celé délce

Vyrovnaní nožů

1. Otáčejte válcem s noži (2) tak, aby se odkryly čtyři šrouby nože (42)
2. Pomocí čtyřhranného klíče (25) uvolněte všechny čtyři šrouby (25) (obr. XIV)
3. Otáčejte válcem s noži tak, aby se odkryly dva seřizovací šrouby pro nastavení polohy nože (44) (obr. XV)

- Pravítko umístěte na válec na stole pro výstup materiálu (1) - otočte seřizovacím šroubem pro nastavení polohy nože (45), až se válec s noží při otáčení dotkne pravítka (obr. XVIII)
- Opakujte totéž s druhým seřizovacím šroubem pro nastavení polohy nože, abyste se ujistili, že nůž je ve vodorovné poloze
- Jakmile je nůž zarovnán, utáhněte čtyři šrouby a opakujte proces zarovnání na druhém noži

Přeprava

- Při přepravě nebo skladování nářadí se ujistěte, že je kryt nože (19) umístěn nad hlavou řezného válce a všechny zámkové polohy jsou zajištěné
- Pro zvedání a přepravu nářadí používejte pouze rukojeti (26)
- Pokud je nářadí připevněno na stůl nebo na podpěru, ujistěte se, že jsou upevňovací prvky odstraněny a s nářadím je možné hýbat
- Pokud je nářadí připevněno k přenosné desce, ujistěte se, že deska je odpojena od pracovního stolu nebo podpěry, aby se nářadím mohlo volně pohybovat.
- Při přesouvání nebo přepravě nářadí ho vždy držte ve svislé poloze

Pokyny pro použití

VAROVÁNÍ: Při práci s tímto nářadím používejte vždy ochranné brýle, odpovídající ochranu dýchacích orgánů a sluchu a vhodné rukavice.

VAROVÁNÍ: Před připojením nebo výměnou jakéhokoliv příslušenství nebo prováděním jakýchkoli úprav se ujistěte, že je nářadí odpojeno od sítě.

DŮLEŽITÉ: Před každým použitím nářadí vždy zkontrolujte. Před připojením nářadí k elektrické síti zkontrolujte ochranné kryty a správné fungování bezpečnostních funkcí nářadí.

DŮLEŽITÉ: Zajistěte, aby měla obsluha odpovídající školení v provozu, seřizování a údržbě nářadí před připojením nářadí k elektrické síti a práci na nářadí.

VAROVÁNÍ: VŽDY zajistěte, aby bylo nářadí před seřizováním nebo výměnou dílů nářadí odpojeno od sítě. Pozorujte směr otáčení ostří a porovnejte ho se správným směrem otáčení na nářadí

Nastavení hloubky řezu

VAROVÁNÍ: Předtím, než se pokusíte nastavit hloubku řezu, vždy se ujistěte, že je nářadí vypnuto a odpojeno od sítě. NIKDY neupravujte hloubku řezu, když je nářadí v chodu.

DŮLEŽITÉ: Řezný rozsah tohoto nářadí je uveden v technických datech a musí být dodržován.

- Pro nastavení hloubky řezu otáčejte knoflíkem pro nastavení hloubky řezu (7) proti směru hodinových ručiček pro zvýšení hloubky řezu a ve směru hodinových ručiček pro snížení hloubky řezu (obr. XVI)
- Každá plná otáčka knoflíku pro nastavení hloubky řezu zvýší nebo sníží hloubku řezu o 0,75 mm
- Pro přesné měření proveďte zkušební řez na kusu dřeva a změňte výsledek

Zapnutí a vypnutí

Ujistěte se, že přírodní kabel (9) je zapojen do síťového zdroje před zapnutím nářadí.

- Spínač (6) se nachází na přední straně nářadí
- Chcete-li nářadí zapnout, stiskněte zelené tlačítko „I“
- Chcete-li nářadí vypnout, stiskněte červené tlačítko „O“

Použití srovnávací a tloušťkovací frézky

VAROVÁNÍ: Při použití tohoto nářadí musí být pracovník, který nářadí obsluhuje, vždy na konci nářadí u stolu pro vstup materiálu (3) a nesmí se nikdy dotýkat válce s noží (2) kdykoliv během provozu nářadí.

VAROVÁNÍ: Ruce a prsty udržujte ve vzdálenosti nejméně 150 mm od válce s noží. Při podávání materiálu v těsné blízkosti válce s noží používejte vždy pomůcku pro posun materiálu (14) nebo bloky pro posun materiálu (22).

VAROVÁNÍ: Pokud se válec s noží zastaví během hoblování z jakéhokoli důvodu, okamžitě vypněte napájení. Neprovádějte opětovný rozběh nářadí v průběhu provádění řezu a nepokoušejte se provádět částečné řezy na materiálu.

VAROVÁNÍ: Pomůcku pro posun materiálu vždy uložte do držáku (10), aby byla snadno přístupná při práci s nářadím.

VAROVÁNÍ: Toto nářadí je určeno pro použití se suchým přírodním dřevem. Toto nářadí nikdy nepoužívejte na kovy, plasty, laminované materiály, překližky, MDF desky ani jiné syntetické výrobky. Nepokoušejte se hoblovat materiál s nevhodným ohnutím v případě nedostatečného kontaktu se stolem pro vstup materiálu.

VAROVÁNÍ: VŽDY zajistěte, aby kluzná ochranná deska (41) zakrývala válec s noží (2) vzadu za dorazem (15), když během provozu vyčnívá doraz přes válec.

DŮLEŽITÉ: Před zahájením práce s tímto nářadím vždy berte v úvahu typ dřeva a stav materiálu. Na tvrdších materiálech nebo materiálech s drsnějšími povrchy provádějte pouze mělké řezy.

Hoblování povrchu

VAROVÁNÍ: Nikdy nepoužívejte nářadí bez nasazeného nebo správně nastaveného ochranného krytu.

Před provedením řezu použijte seřizovací prvky na rameni krytu (27) k umístění krytu válce s noží (19) tak, aby zakryl jakoukoli část válce s noží (2), která zůstane odkrytá, když je materiál na svém místě - viz obr. A - D.

Hoblování povrchu

Viz obrázek B.

- Úprava povrchu se provádí proto, aby se vytvořil plochý povrch na materiálu jako příprava pro další hoblování

1. Nastavte výšku stolu pro vstup materiálu (3) na požadovanou hloubku řezu

DŮLEŽITÉ: Při hoblování povrchu provádějte pouze mělké řezy, abyste zabránili zpětnému rázu.

2. Nastavte doraz (15) na 90° (viz „Umístění dorazu“)

3. Spusťte nářadí

4. Materiál pevně položte proti stolu pro vstup materiálu (3) a dorazu

- Umístěte kryt válce s noži (19) – viz. „Použití krytu“
- Celý materiál suňte přes řezný nástroj a přitom udržujte pevný tlak proti dorazu a stolům během celého řezu
- V případě potřeby opakujte, dokud nedosáhnete požadované povrchové úpravy

Frézování hran

Viz obrázek C.

- Frézování hran se provádí proto, aby se vytvořil plochý povrch podél strany materiálu. Je to nezbytné při spojování materiálu do pravého úhlu nebo při přípravě materiálu pro dokončovací a truhlářské práce

- Nastavte výšku stolu pro vstup materiálu (3) na požadovanou hloubku řezu

DŮLEŽITÉ: Při frézování hran provádějte pouze mělké řezy, abyste zabránili zpětnému rázu.

- Nastavte doraz (15) na 90° (viz „Umístění dorazu“)
- Spusťte nářadí
- Materiál pevně položte proti stolu pro vstup materiálu (3) a dorazu
- Umístěte kryt válce s noži (19) – viz. „Použití krytu“
- Celý materiál suňte přes řezný nástroj a přitom udržujte pevný tlak proti dorazu a stolům během celého řezu
- V případě potřeby opakujte, dokud nedosáhnete požadované povrchové úpravy

Zkosené frézování

Viz obrázek D.

- Zkosené řezy jsou šikmé řezy a mohou být vytvořeny umístěním dorazu (15) v požadovaném úhlu a posouváním materiálu podél dorazu. Tento proces obvykle vyžaduje několik řezů, aby se dosáhlo požadované povrchové úpravy

- Nastavte výšku stolu pro vstup materiálu (3) na požadovanou hloubku řezu

DŮLEŽITÉ: Při řezání zešikmených řezů provádějte pouze mělké řezy, abyste zabránili zpětnému rázu.

- Nastavte doraz na požadovaný úhel řezu (viz „Umístění dorazu“)
- Umístěte materiál proti konkávní straně stolu pro vstup materiálu a dorazu směrem dolů
- Spusťte nářadí
- Umístěte kryt válce s noži (19) – viz. „Použití krytu“
- Udržujte pevný tlak proti dorazu a stolům během celého řezu pomocí prvního bloku pro posun materiálu (22) a celý materiál suňte přes frézku pomocí druhého bloku pro posun materiálu
- V případě potřeby opakujte, dokud nedosáhnete požadované povrchové úpravy

Příslušenství

- U vašeho prodejce Triton je k dispozici řada příslušenství pro toto nářadí, včetně obličejových masek, vysavačů prachu a rukavic odolných proti pořezání
- Náhradní díly je možné zakoupit na www.toolsparsonline.com

Údržba

VAROVÁNÍ: Před připojením nebo výměnou jakéhokoli příslušenství nebo prováděním jakýchkoli úprav se ujistěte, že je nářadí odpojeno od napájení.

VAROVÁNÍ: VŽDY používejte při manipulaci s válcem s noži (2) a jeho dílčích součástech vhodné ochranné rukavice.

- Toto nářadí je vyrobeno s použitím prvotřídních komponentů a využívá nejnovější inteligentní obvody, které chrání nářadí a jeho součástky. Při normálním používání by měly zajistit dlouhou životnost
- Části tohoto nástroje, které může uživatel vyměnit, jsou tyto:
 - Nože
 - Hnací řemen
 - Přídavný řemen

Poznámka: Pokyny pro údržbu těchto položek jsou uvedeny v této části návodu.

Běžná kontrola

- Pravidelně kontrolujte, že všechny šrouby jsou pevně utažené
- Kontrolujte přívodní kabel před každým použitím – zda není poškozen nebo opotřebovaný. Výměnu síťového kabelu je oprávněno dělat autorizované servisní středisko. To se týká také prodlužovacích kabelů, které s tímto nářadím používáte
- Nejste-li si jisti, jak provádět některý z následujících postupů údržby, NEPROVÁDĚJTE JE - místo toho nechejte provést údržbu autorizovaným servisním střediskem Triton

Čištění

VAROVÁNÍ: Při čištění nebo odstraňování ucpaného materiálu z nářadí se ujistěte, že je nářadí odpojeno ze sítě a je vypnuté. Při provádění čištění a uvolnění ucpání vždy používejte ochranné rukavice, protože nářadí obsahuje ostré povrchy a součásti.

- Udržujte elektronářadí vždy v čistotě. Špína a prach způsobí dřívější opotřebení součástek a zkracují životnost celého zařízení. Tělo zařízení čistěte jemným kartáčem nebo suchým hadříkem. Pokud je to možné, používejte čistý, stlačený proud suchého vzduchu, kterým profouknete ventilační otvory
- Po použití nářadí vysajte, abyste odstranili odřezky, piliny a nečistoty
- Odstraňte piliny, odřezky a mazivo z řemenů, ozubených kol a pohyblivých částí
- Vyčistěte kryt nářadí měkkým vlhkým hadříkem pomocí jemného čisticího prostředku. Nepoužívejte alkohol, benzin nebo silné čisticí prostředky
- K čištění plastových dílů nikdy nepoužívejte žíravé prostředky

Výměna nožů

VAROVÁNÍ: Při manipulaci s noži (45) vždy používejte rukavice odolné proti pořezání.

DŮLEŽITÉ: Používejte pouze nože, které jsou speciálně určeny pro toto nářadí.

- Odstraňte kryt řemene (5) pomocí 4 mm šestihranného klíče (25) (obr. XII)
- Otáčejte válcem s noži tak, aby byly odkryty čtyři šrouby nože (42)

3. Tyto čtyři šrouby odšroubujte (obr. XIV)
4. Opatrně vyjměte svěrku nože (43) a nůž samotný
5. Vyměňte nůž tím, že ho umístíte na seřizovací šrouby (44) (obr. XVII)
6. Vložte šrouby nože a znovu nastavte polohu nože (viz část „Vyrovnání nožů“)
7. Opakujte s druhým nožem

Výměna řemene

Výměna přídatného řemene

1. Umístěte nářadí na zem nebo pracovní stůl tak, aby byla základna nářadí snadno přístupná
2. Odšroubujte a sejměte spodní kryt
3. Povolte, ale neodstraňujte dva šestihřanné šrouby jednotky odsávání prachu (47) tak, aby se jednotka pro odsávání prachu mohla pohybovat ze strany na stranu
4. Vyměňte přídatný řemen (48)
5. Napněte řemen a utáhněte šestihřanné šrouby
6. Namontujte zpět spodní kryt

Výměna hnacího řemene

1. Umístěte nářadí na zem nebo pracovní stůl tak, aby byla základna nářadí snadno přístupná
2. Odšroubujte a sejměte spodní kryt
3. Vyjměte přídatný řemen (48) (viz „Výměna přídatného řemene“)
4. Povolte, ale neodstraňujte dva šestihřanné šrouby jednotky odsávání prachu (46) tak, aby se jednotka pro odsávání prachu mohla pohybovat ze strany na stranu
5. Demontujte hnací řemen (49)
6. Vyměňte hnací řemen
7. Napněte řemen a dotáhněte šestihřanné šrouby
8. Namontujte přídatný řemen a spodní kryt

Promazávání

- Všechny pohyblivé díly v pravidelných intervalech jemně namažte vhodným postříkovým mazivem
- Ložiska v motoru a řezné hlavy jsou z výroby uzavřena a nevyžadují žádné další mazání
- Komponenty vyžadující pravidelné mazání:
 - Knoflík pro nastavení hloubky řezu
 - Posuvný držák dorazu
 - Zajišťovací knoflík úhlu dorazu
 - Zajišťovací knoflík posuvu dorazu
 - Mechanismus nastavení ochranného krytu
- Odstraňte zbytky maziva z ostatních součástí, v případě potřeby použijte čistič, pak naneste vrstvu lehkého víceúčelového maziva (není součástí balení)
- Pracovní stoly mohou být potaženy velmi tenkým povlakem mazacího vosku (není součástí balení) pro ochranu povrchu před korozí a pro usnadnění hladkého posuvu během provozu

Uhlíky

- Časem se uhlíky uvnitř motoru mohou opotřebovat
- Nadměrně opotřebované uhlíky mohou způsobit ztrátu výkonu, poruchu nebo viditelné jiskření
- Máte-li podezření, že by se uhlíky mohly opotřebovat, nechte je vyměnit v autorizovaném servisním středisku Triton

Skladování

- Toto nářadí skladujte na zabezpečeném, suchém místě mimo dosah dětí

Kontakt

Pro technickou podporu nebo opravu kontaktujte linku pomoci (+44) 1935 382 222

Web: www.tritontools.com

Adresa ve Spojeném království:

Toolstream Ltd.
Boundary Way
Lufton Trading Estate
Yeovil, Somerset
BA22 8HZ, Spojené království

Adresa EU:

Toolstream B.V.
Hogeweg 39
5301 LJ Zaltbommel
Nizozemsko

Likvidace

Při likvidaci elektronářadí, které již není funkční a nelze jej opravit, vždy dodržujte národní předpisy.

- Nevyhazujte elektronářadí, baterie ani jiné odpadní elektrické a elektronické zařízení s domovním odpadem
- Informace o správném způsobu likvidace elektronářadí a baterií vám poskytne místní úřad pro likvidaci odpadu

Řešení problémů

Problém	Možná příčina	Řešení
Když se spínač (6) pustí, nic se neděje	Není elektřina	Zkontrolujte napájení
	Vadný spínač	Vyměňte spínač v autorizovaném servisním středisku Triton
Motor se nespustí	Opotřebované uhlíky	Uhlíky je třeba vyměnit
Špatná povrchová úprava po hoblování	Zvolená hloubka řezu je příliš velká	Snižte hloubku řezu a pracujte v několika krocích
	Tupé nože (45)	Otočte nebo vyměňte nože (viz část „Výměna nožů“)
	Dřevo je vlhké	Nářadí okamžitě vypněte. Příp. umístěte správné nože (viz část „Výměna nožů“)
Válec s noži se neotáčí	Rozbitý hnací řemen (49)	Viz část „Výměna hnacího řemene“ - vyměňte řemen
Vibrace a abnormální hluk	Okamžitě zastavte nářadí	Znovu zkontrolujte, zda jsou všechny části přístupné pro uživatele bezpečné a správně namontované
		Obratě se na autorizované servisní středisko Triton

Záruka

Pro registraci záruky navštivte naše webové stránky tritontools.com* a zadejte informace o výrobku.

Záznam o nákupu

Datum pořízení: ___ / ___ / ____

Model: TSPL152

Kupní doklad uschovejte jako potvrzení zakoupení výrobku

Pokud se během 3-letá ode dne nákupu objeví závada výrobku společnosti Triton Precision Power Tools, která byla způsobená vadou materiálu nebo vadným zpracováním, Triton opraví nebo vymění vadný díl zdarma.

Tato záruka se nevztahuje na výrobky, které budou používány pro komerční účely, a dále na poškození, které je způsobeno neodborným použitím nebo mechanickým poškozením výrobku.

* Registrovat se během 30 dní od nákupu.

Změna podmínek vyhrazena.

Těmito podmínkami nejsou dotčena vaše zákonná práva.

